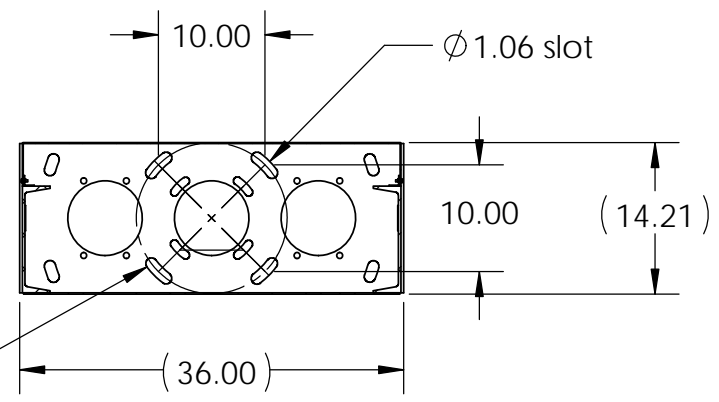
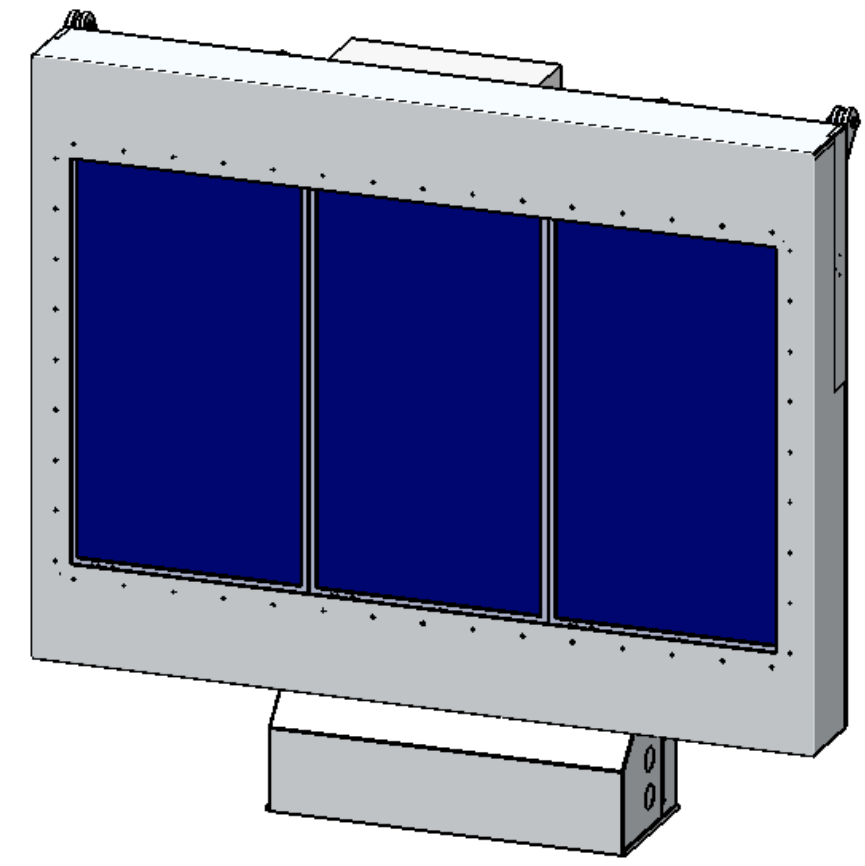
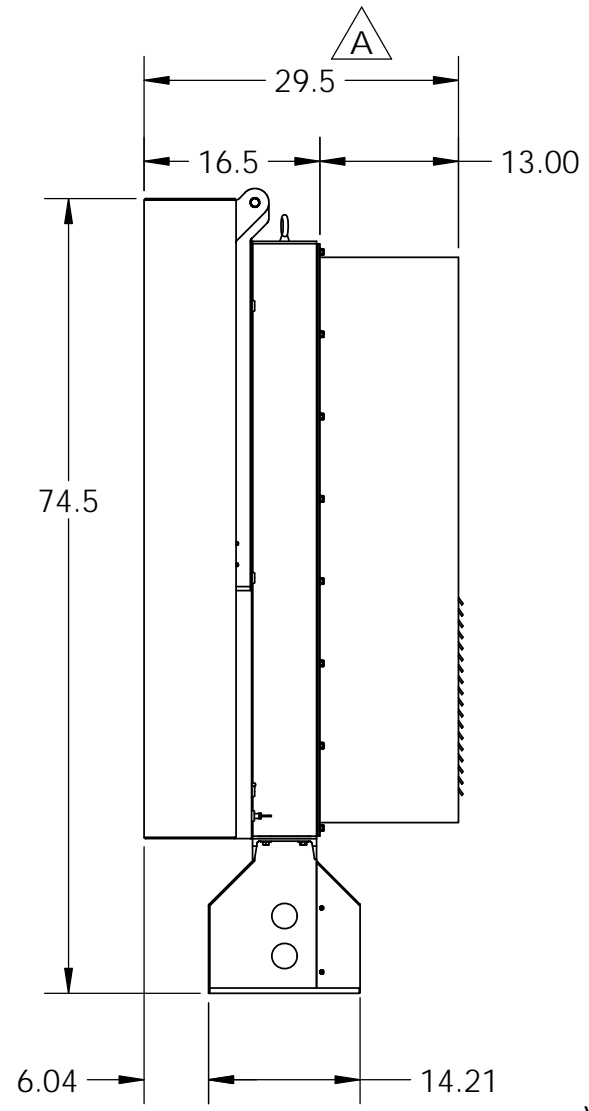
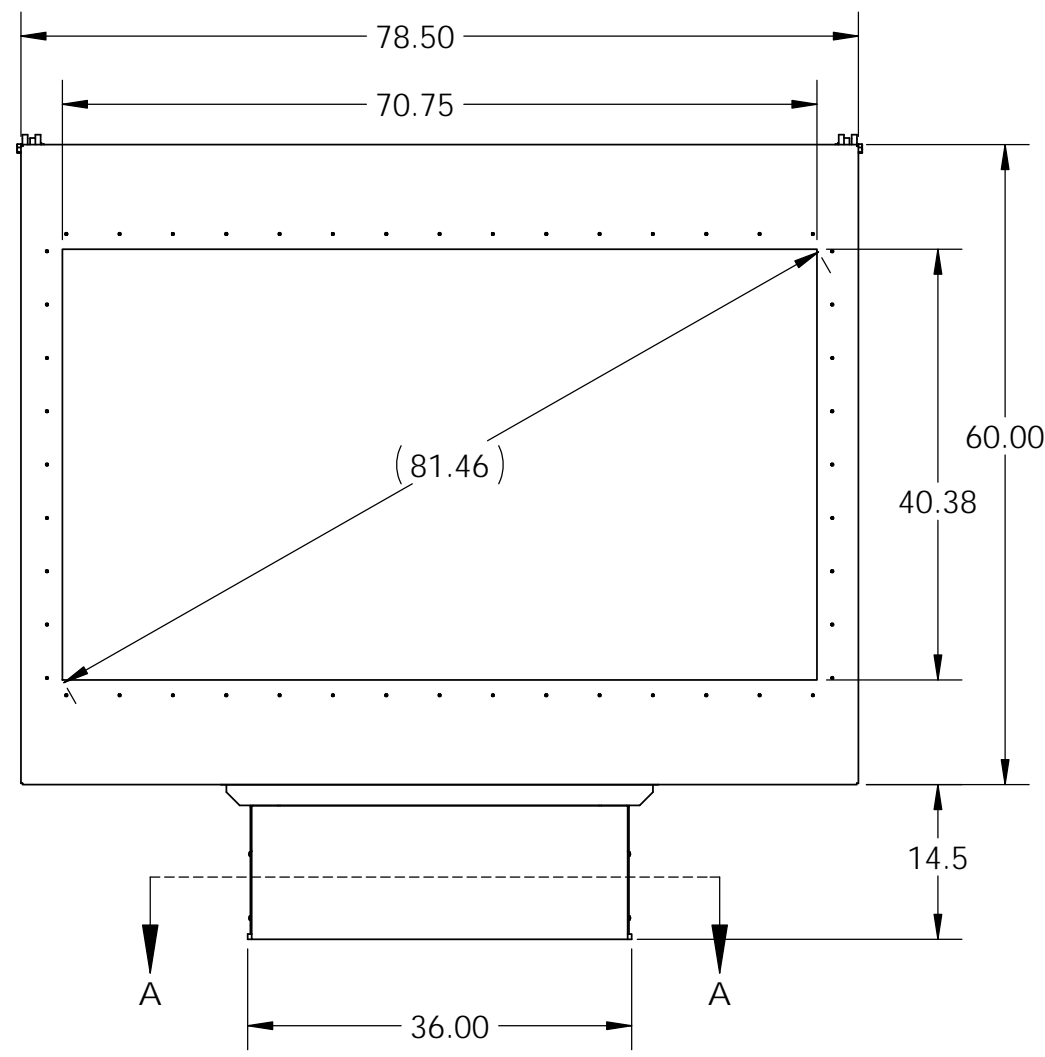


REV.	DESCRIPTION	DATE
A	T53 version, updated footing description	10/20/2011



SECTION A-A

VSA-3x1-46-P-T53

NOTES:

- 1) Enclosure body is marine grade aluminum sheet, formed and welded water tight, with a polyester powder paint finish.
- 2) Support frame is welded structural aluminum with polyester powder finish.
- 3) Pedestal base is welded structural aluminum with polyester powder finish.
- 4) The viewing window is laminated glass with antireflective coating on both sides and provides UV protection.
- 5) Cooling is provided by a rear mounted compressor based air conditioner.
- 6) Front cover is hinged at the top and supported by gas springs for access to the displays.

Use 10 x 10 pattern for new construction (see sheet 3)
6x6 pattern available for existing footers (with use limitations)

PROPRIETARY AND CONFIDENTIAL
THE INFORMATION CONTAINED IN THIS DRAWING IS THE SOLE PROPERTY OF ITSENCLUSURES. ANY REPRODUCTION IN PART OR AS A WHOLE WITHOUT THE WRITTEN PERMISSION OF ITSENCLUSURES IS PROHIBITED.

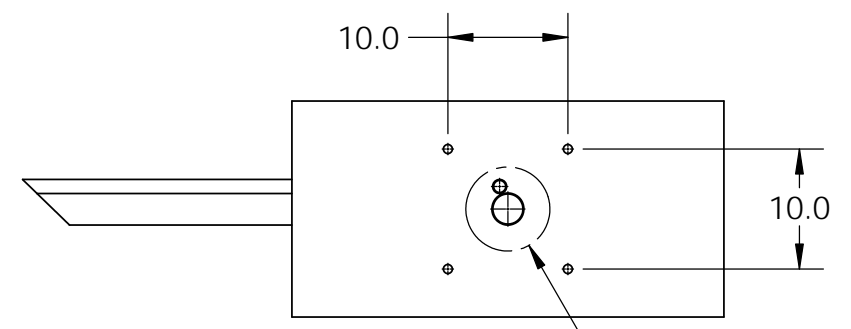
UNLESS OTHERWISE SPECIFIED:		NAME	DATE
DIMENSIONS ARE IN INCHES [mm]		DRAWN	prg 9/8/2011
TOLERANCES: (include finish)		CHECKED	
ANGULAR: MACH ± .20° BEND ± 1.0°		ENG APPR.	
TWO PLACE DECIMAL ± .030		MFG APPR.	
THREE PLACE DECIMAL ± .010		Q.A.	
HOLE SIZES .xxx +.010 -.000		COMMENTS:	
INTERPRET GEOMETRIC TOLERANCING PER:			
MATERIAL			
See BM			
FINISH			
Polyester powder paint			
NEXT ASSY	USED ON		
APPLICATION	DO NOT SCALE DRAWING		

NAME	DATE
prg	9/8/2011
DRAWN	
CHECKED	
ENG APPR.	
MFG APPR.	
Q.A.	
COMMENTS:	

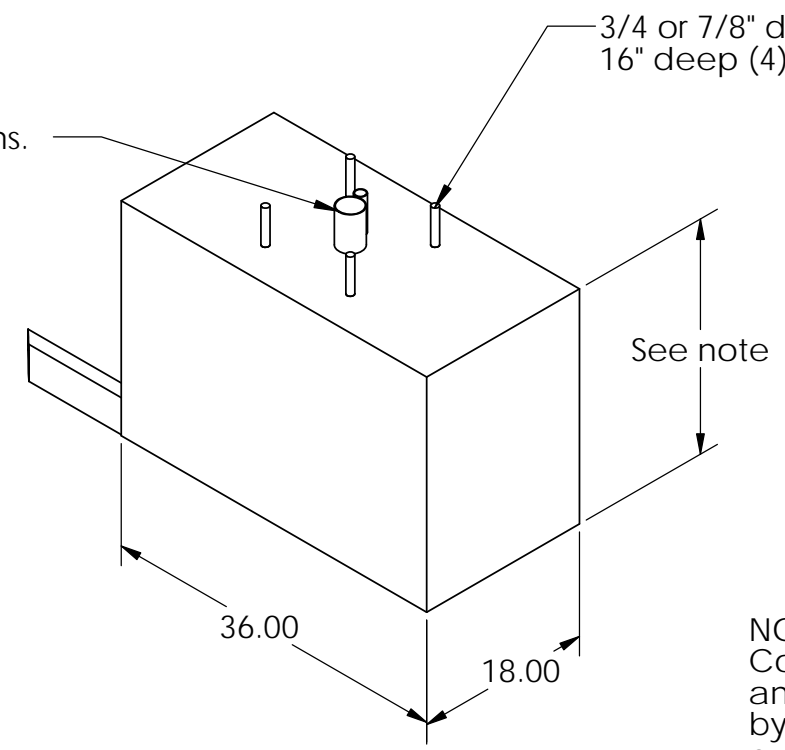
ITSENCLUSURES		
TITLE:		
Enclosure, T53 cooled		
Three portrait, NEC X461HB		
SIZE	DWG. NO.	REV
B	DATA X7215-00.1	A
SCALE: 1:18	WEIGHT:	SHEET 1 OF 3

REV.	DESCRIPTION	DATE
-	See Sheet1	-

Conduit:
 Electrical power conduit to support (1 or 2)
 120VAC, 20 amp circuits
 and (1) 230VAC 30 amp circuit
 also
 a separate data conduit sized to support
 the planned video and network cable runs.

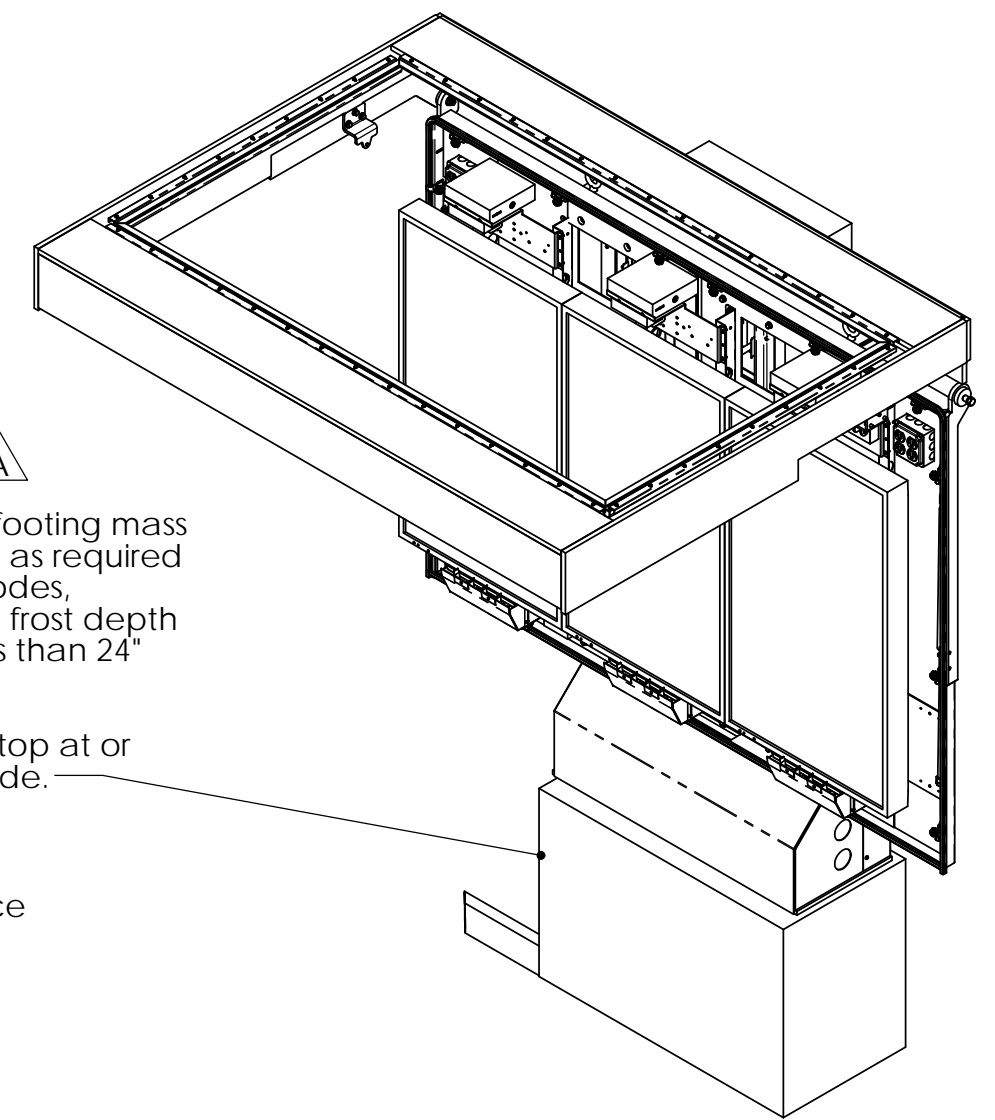


Conduit must protrude within
 a 7" circle centered in the bolt pattern
 to clear the mounting pedestal

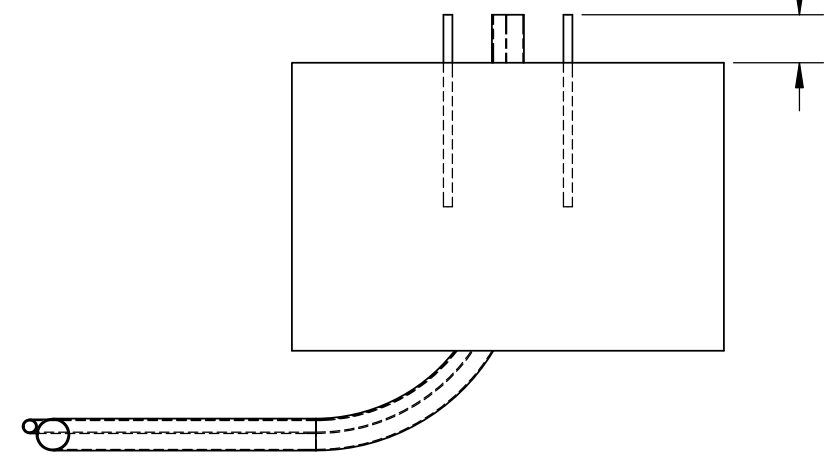


NOTE:
 Concrete footing mass
 and depth as required
 by local codes,
 exceeding frost depth
 but not less than 24"
 deep

Finish pad top at or
 above grade.



4 inch length to allow use of leveling nuts
 2.50 inch length minimum for attachment direct to concrete surface



PROPRIETARY AND CONFIDENTIAL
 THE INFORMATION CONTAINED IN THIS
 DRAWING IS THE SOLE PROPERTY OF
 ITSENCLUSURES. ANY REPRODUCTION IN
 PART OR AS A WHOLE WITHOUT THE
 WRITTEN PERMISSION OF ITSENCLUSURES
 IS PROHIBITED.

		UNLESS OTHERWISE SPECIFIED: DIMENSIONS ARE IN INCHES [mm] TOLERANCES: (include finish) ANGULAR: MACH ± .20° BEND ± 1.0° TWO PLACE DECIMAL ± .030 THREE PLACE DECIMAL ± .010 HOLE SIZES .xxx +.010 -.000		DRAWN	NAME	DATE	ITSENCLUSURES TITLE: Enclosure, AC cooled Three portrait, NEC X461HB
				CHECKED	prg	9/8/2011	
				ENG APPR.			
				MFG APPR.			
				Q.A.			
		INTERPRET GEOMETRIC TOLERANCING PER:		COMMENTS:			
		MATERIAL See BM					
		FINISH Polyester powder paint, w/ clear coat					
NEXT ASSY	USED ON						SIZE B
APPLICATION		DO NOT SCALE DRAWING					DWG. NO. DATA X7215-00.1
							REV A
				SCALE: 1:16			WEIGHT:
							SHEET 3 OF 3