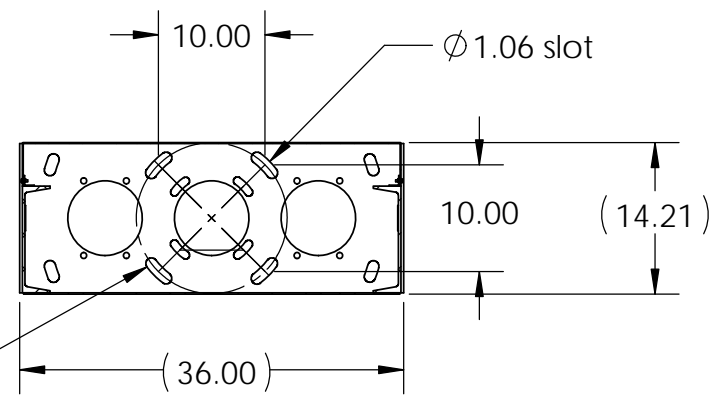
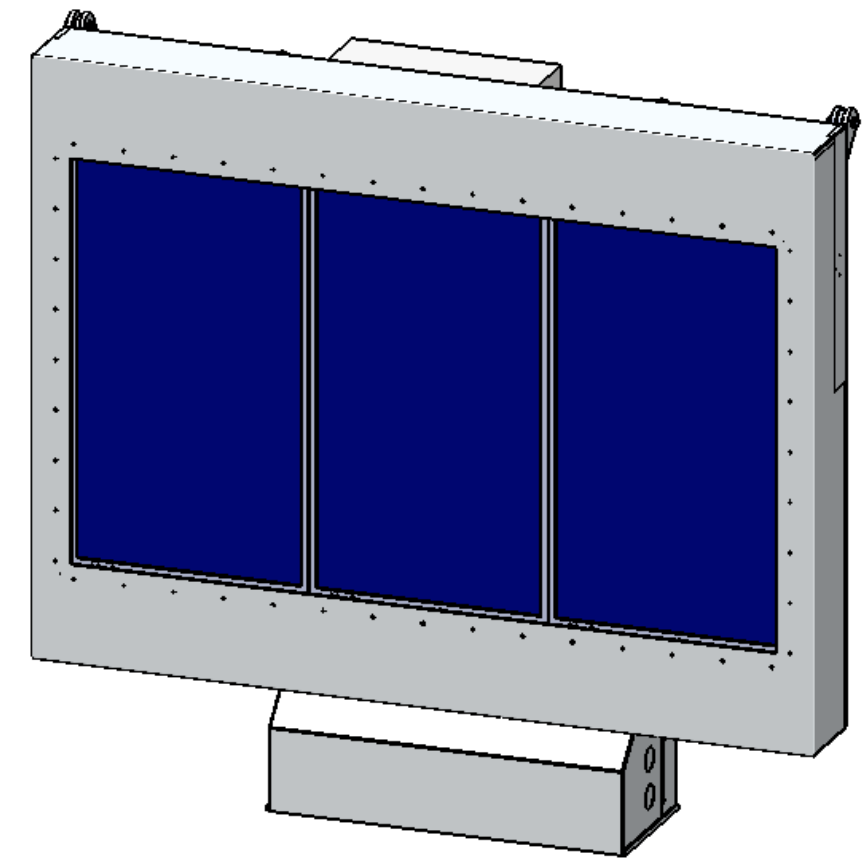
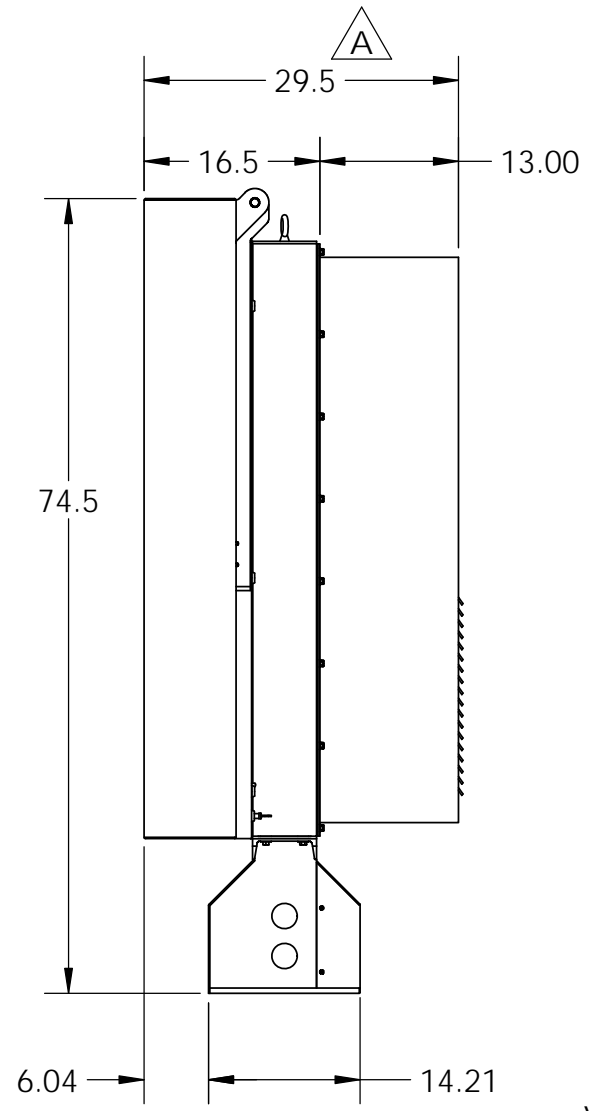
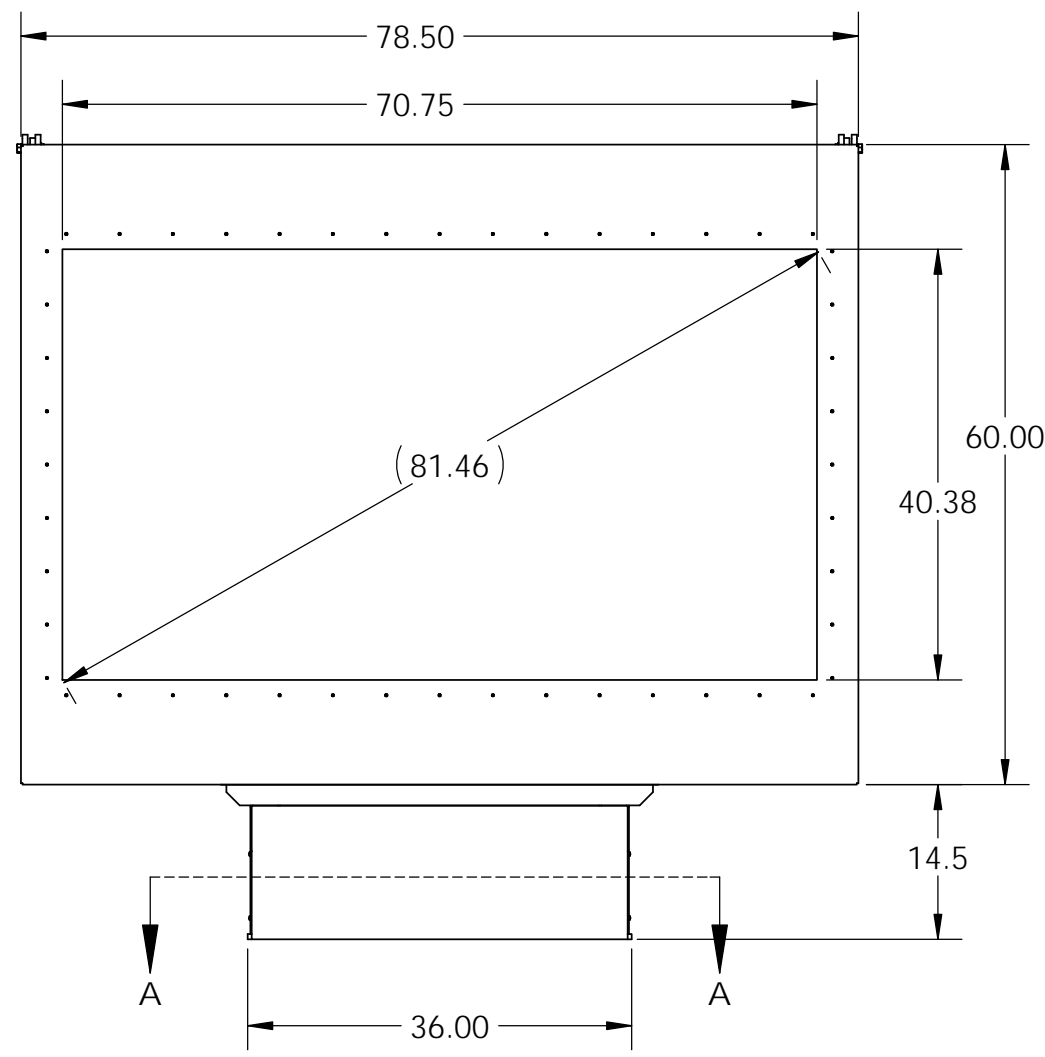


REV.	DESCRIPTION	DATE
A	T53 version, updated footing description	10/20/2011



SECTION A-A

VSA-3x1-46-P-T53

NOTES:

- 1) Enclosure body is marine grade aluminum sheet, formed and welded water tight, with a polyester powder paint finish.
- 2) Support frame is welded structural aluminum with polyester powder finish.
- 3) Pedestal base is welded structural aluminum with polyester powder finish.
- 4) The viewing window is laminated glass with antireflective coating on both sides and provides UV protection.
- 5) Cooling is provided by a rear mounted compressor based air conditioner.
- 6) Front cover is hinged at the top and supported by gas springs for access to the displays.

Use 10 x 10 pattern for new construction (see sheet 3)  
6x6 pattern available for existing footers (with use limitations)

**PROPRIETARY AND CONFIDENTIAL**  
THE INFORMATION CONTAINED IN THIS DRAWING IS THE SOLE PROPERTY OF ITSENCLUSURES. ANY REPRODUCTION IN PART OR AS A WHOLE WITHOUT THE WRITTEN PERMISSION OF ITSENCLUSURES IS PROHIBITED.

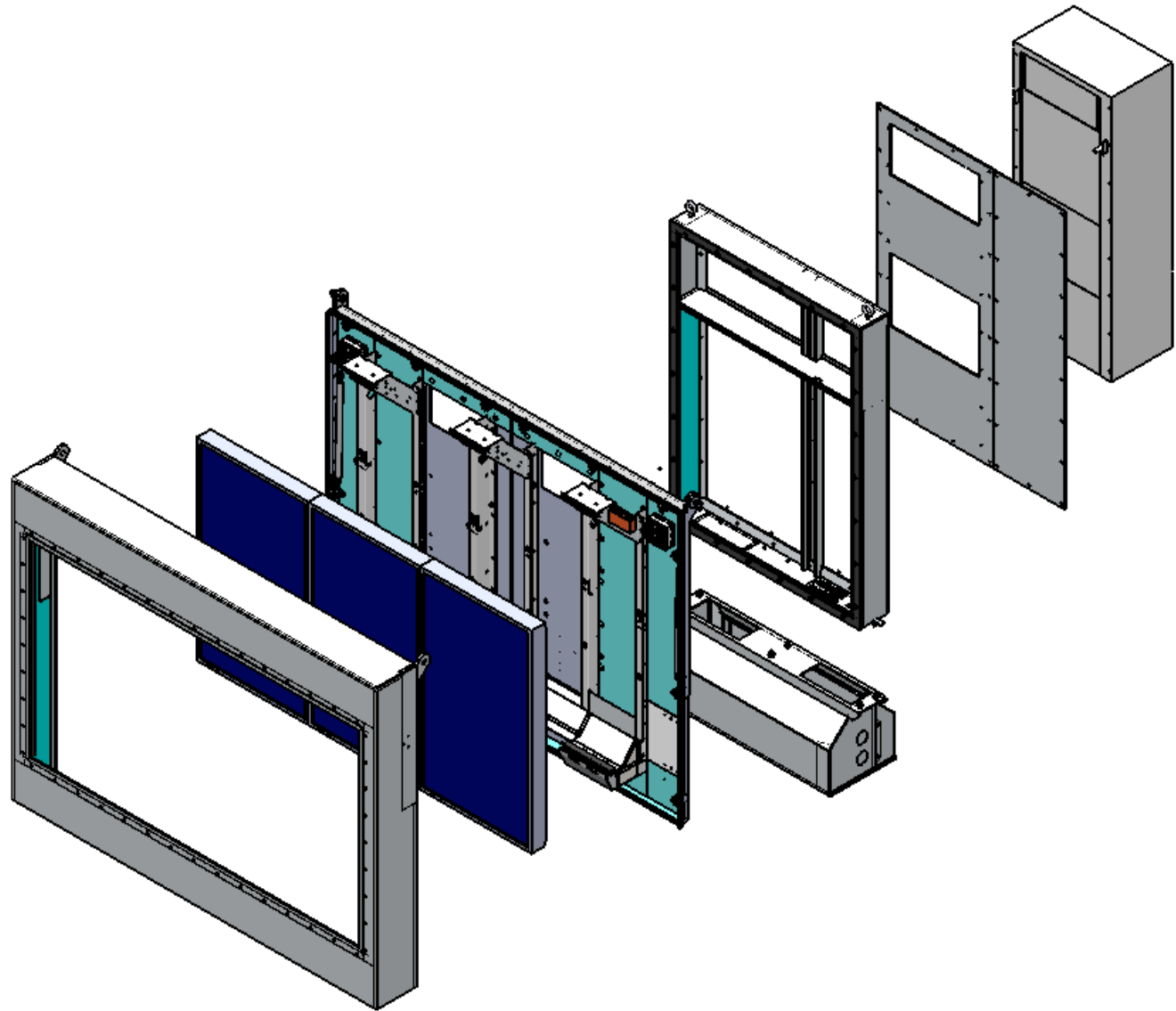
UNLESS OTHERWISE SPECIFIED:		NAME	DATE
DIMENSIONS ARE IN INCHES [mm]		DRAWN	prg 9/8/2011
TOLERANCES: (include finish)		CHECKED	
ANGULAR: MACH ± .20° BEND ± 1.0°		ENG APPR.	
TWO PLACE DECIMAL ± .030		MFG APPR.	
THREE PLACE DECIMAL ± .010		Q.A.	
HOLE SIZES .xxx +.010 -.000		COMMENTS:	
INTERPRET GEOMETRIC TOLERANCING PER:			
MATERIAL			
See BM			
FINISH			
Polyester powder paint			
NEXT ASSY	USED ON		
APPLICATION	DO NOT SCALE DRAWING		

NAME	DATE
prg	9/8/2011
DRAWN	
CHECKED	
ENG APPR.	
MFG APPR.	
Q.A.	
COMMENTS:	

<b>ITSENCLUSURES</b>		
TITLE:		
Enclosure, T53 cooled		
Three portrait, NEC X461HB		
SIZE	DWG. NO.	REV
<b>B</b>	DATA X7215-00.1	<b>A</b>
SCALE: 1:18	WEIGHT:	SHEET 1 OF 3

D

D



**Application parameters for VSA-3X1-46-P-T53 enclosure**

VSA-3X1-46-P-T53, display enclosure, UL-listing pending, Type 3R rating with 19000 BTU cooling

- Viewing opening .....81.5" diagonal, 3 Portrait displays
- Enclosure assembly outside dimensions..... 78.5" W x 74.5" H x 29.5" D
- Video input.....VGA, DVI, HDMI, (see display specs)
- Electrical requirement .....2 circuit, 120 VAC, 20 Amps  
1 circuit, 230 VAC, 30 amps
- Cooling circuit (load) 230 volt.....21.0 Amps
- Electronic circuit (load) 120 volt \* .....13.0 Amps (see note\*)
- Complete assembly weight, with displays..... 950 Lbs.

- Required LCD DISPLAY.....NEC X461HB (3 units)
- Display dimensions .....41.55" W x 23.96" H x 5.51" D
- Display brightness, MAX .....1500 nit

**INSTALLATION ENVIRONMENT**

Outdoor locations, with direct solar exposure

Allowed Ambient Temperature range

VSA-3X1-46-P-T53.....(19000 BTU).....-40° to 48°C (-40° to 120°F)

Warranty.....3 years standard on all components  
(5 year warranty available)

\* Load of displays and temperature monitor only

This enclosure is designed to support the use of "RapidRun" cables and or Cat-5 based extenders for video input with the PC or media player installed **remote** from the enclosure.

C

C

B

B

A

A

**PROPRIETARY AND CONFIDENTIAL**  
THE INFORMATION CONTAINED IN THIS DRAWING IS THE SOLE PROPERTY OF ITSENCLUSURES. ANY REPRODUCTION IN PART OR AS A WHOLE WITHOUT THE WRITTEN PERMISSION OF ITSENCLUSURES IS PROHIBITED.

		UNLESS OTHERWISE SPECIFIED: DIMENSIONS ARE IN INCHES [mm] TOLERANCES: (include finish) ANGULAR: MACH ± .20° BEND ± 1.0° TWO PLACE DECIMAL ± .030 THREE PLACE DECIMAL ± .010 HOLE SIZES .xxx +.010 -.000		NAME	DATE	<b>ITSENCLUSURES</b> TITLE: Enclosure, AC cooled Three portrait, NEC X461HB	
		DRAWN	prg	9/8/2011			
		CHECKED					
		ENG APPR.					
		MFG APPR.					
		Q.A.					
		COMMENTS:			SIZE	DWG. NO.	REV
NEXT ASSY	USED ON	MATERIAL See BM			<b>B</b>	DATA X7215-00.1	<b>A</b>
		FINISH Polyester powder paint			SCALE: 1:26	WEIGHT:	SHEET 2 OF 3
		APPLICATION			DO NOT SCALE DRAWING		

8

7

6

5

4

3

2

1

8

7

6

5

4

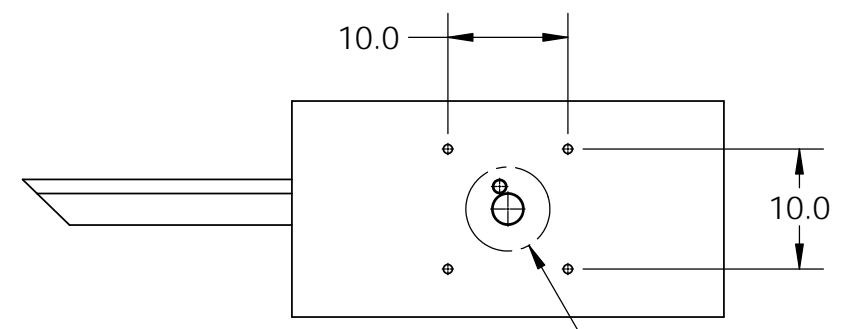
3

2

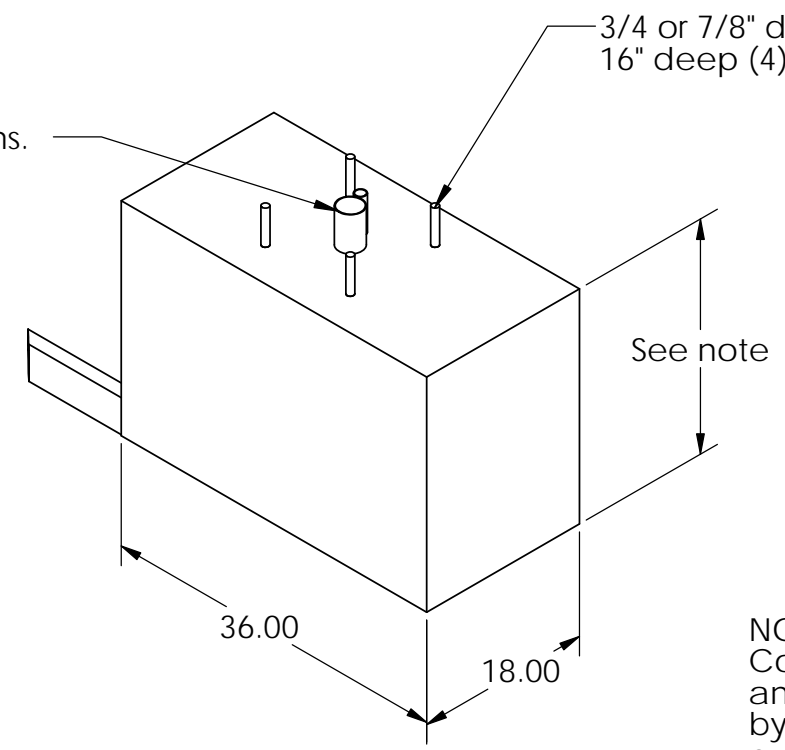
1

REV.	DESCRIPTION	DATE
-	See Sheet1	-

Conduit:  
 Electrical power conduit to support (1 or 2)  
 120VAC, 20 amp circuits  
 and (1) 230VAC 30 amp circuit  
 also  
 a separate data conduit sized to support  
 the planned video and network cable runs.

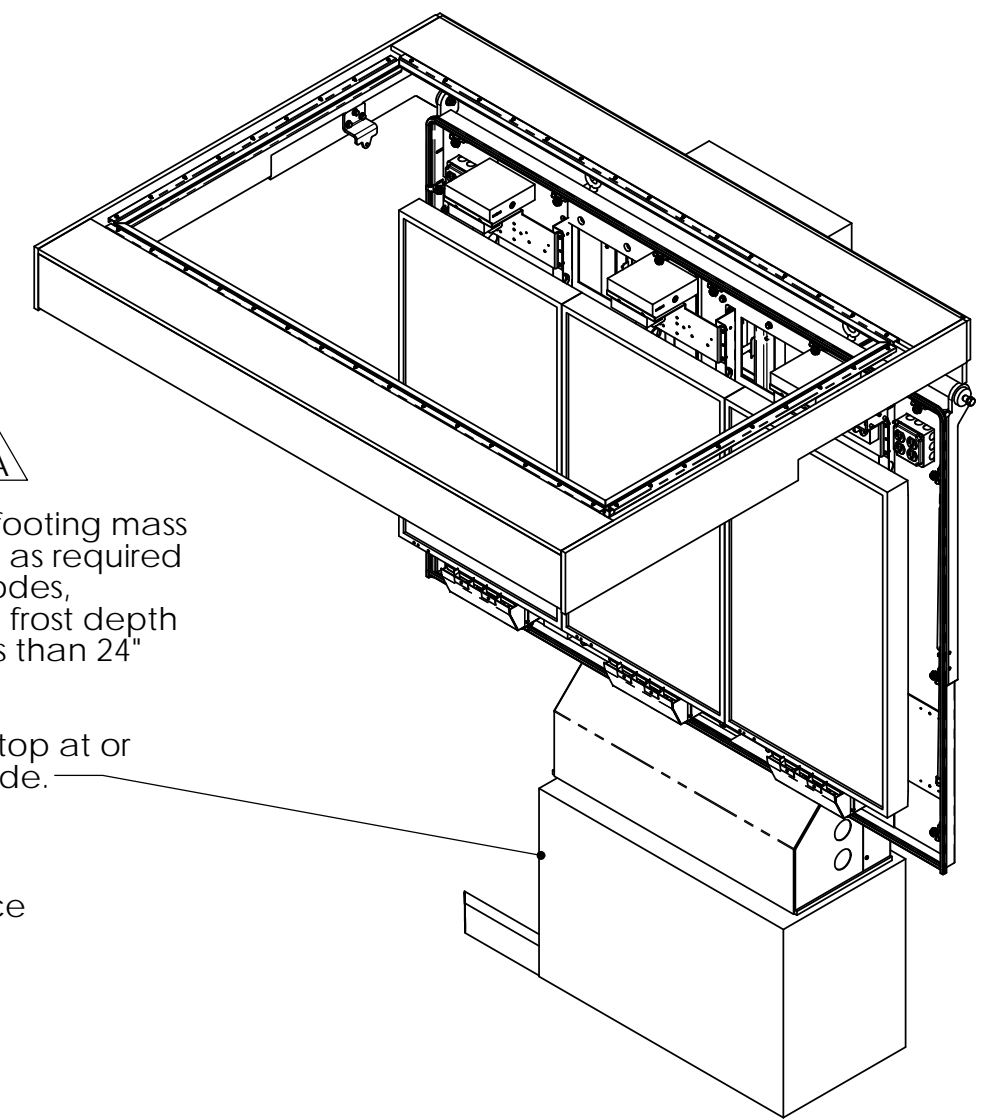


Conduit must protrude within  
 a 7" circle centered in the bolt pattern  
 to clear the mounting pedestal

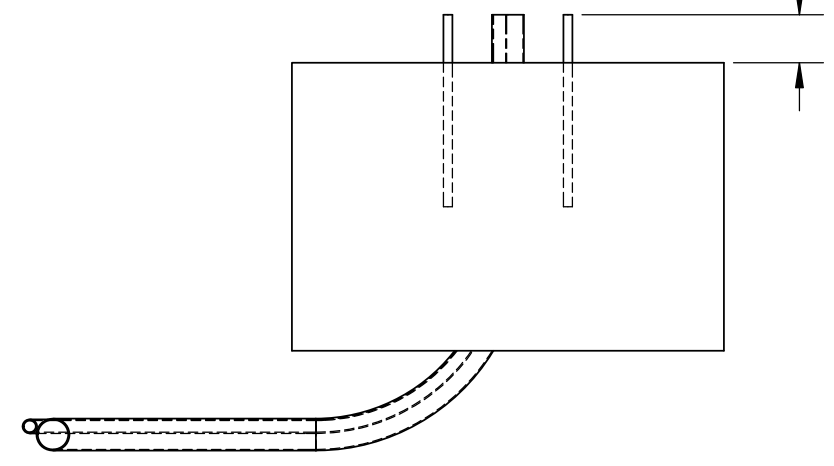


NOTE:  
 Concrete footing mass  
 and depth as required  
 by local codes,  
 exceeding frost depth  
 but not less than 24"  
 deep

Finish pad top at or  
 above grade.



4 inch length to allow use of leveling nuts  
 2.50 inch length minimum for attachment direct to concrete surface



**PROPRIETARY AND CONFIDENTIAL**  
 THE INFORMATION CONTAINED IN THIS  
 DRAWING IS THE SOLE PROPERTY OF  
 ITSENCLUSURES. ANY REPRODUCTION IN  
 PART OR AS A WHOLE WITHOUT THE  
 WRITTEN PERMISSION OF ITSENCLUSURES  
 IS PROHIBITED.

		UNLESS OTHERWISE SPECIFIED:		NAME		DATE	
		DIMENSIONS ARE IN INCHES [mm]		DRAWN	prg		9/8/2011
		TOLERANCES: (include finish)		CHECKED			
		ANGULAR: MACH ± .20° BEND ± 1.0°		ENG APPR.			
		TWO PLACE DECIMAL ± .030		MFG APPR.			
		THREE PLACE DECIMAL ± .010		Q.A.			
		HOLE SIZES .xxx +.010 -.000		COMMENTS:			
		INTERPRET GEOMETRIC TOLERANCING PER:					
		MATERIAL					
		See BM					
		FINISH					
		Polyester powder paint, w/ clear coat					
NEXT ASSY	USED ON						
APPLICATION		DO NOT SCALE DRAWING					
<b>ITSENCLUSURES</b>							
TITLE: Enclosure, AC cooled Three portrait, NEC X461HB							
SIZE	DWG. NO.		REV				
<b>B</b>	DATA X7215-00.1		<b>A</b>				
SCALE: 1:16		WEIGHT:		SHEET 3 OF 3			