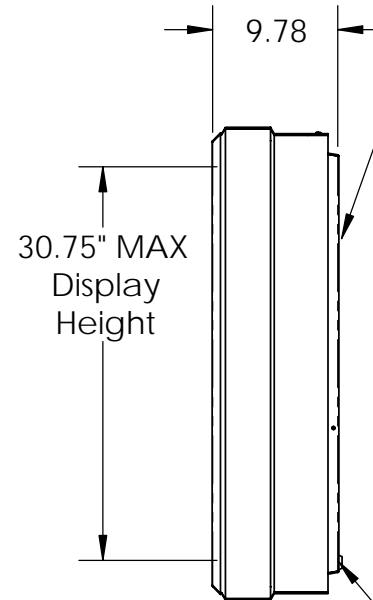
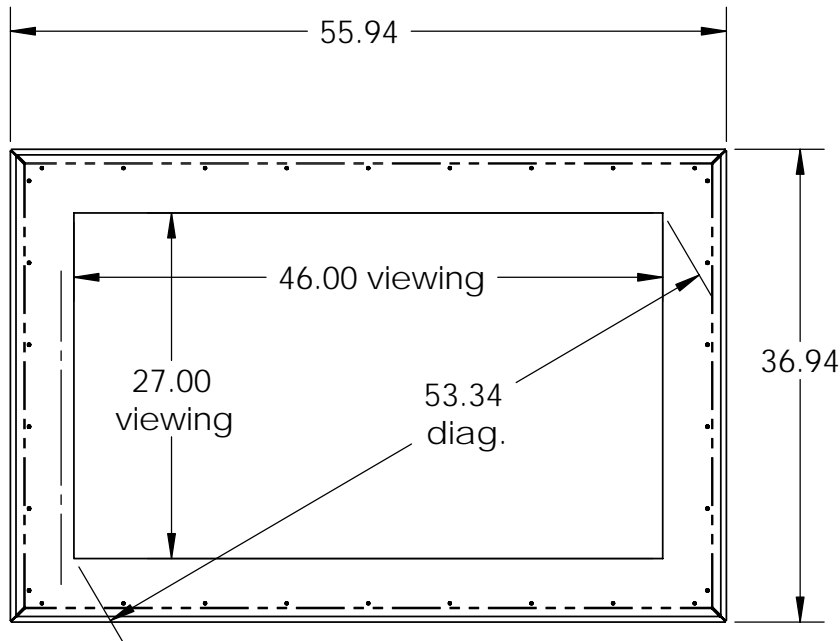
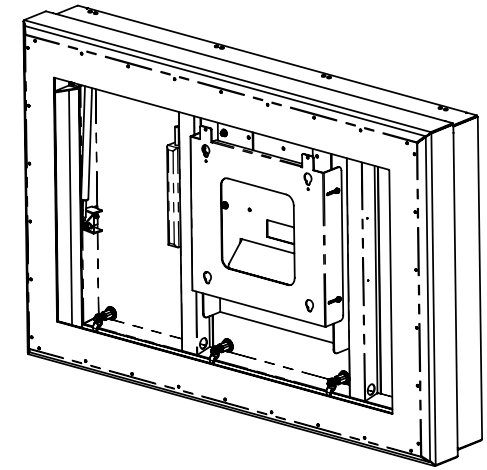


5.95" MAX depth
Display & Mount
Approx. 4.50" Display Depth
(To allow air circulation
at front)



Rear surface has typical mounting pattern as shown on sheet 2. Cooling device and or cable entry cutouts can be added as required.

Cover latches must be accessible from rear after installation.

Description:
Enclosure exterior is a brushed aluminum finish with corrosion resistant clear top coat.
Viewing window is 1/4" thick polycarbonate. The cover is secured with 4 tubular keyed compression latches, accessible from the rear.

Window material as specified:
tempered glass or polycarbonate

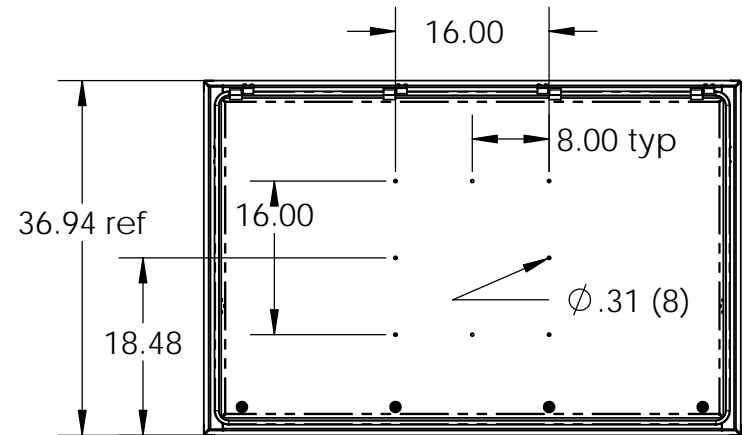
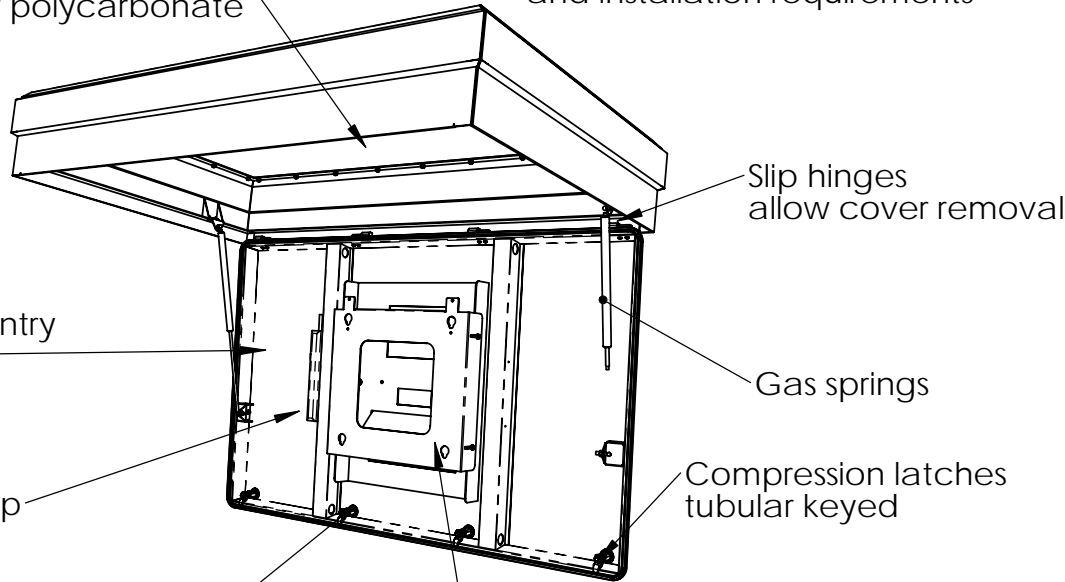
Cooling equipment and
mounting devices are sold
separately to support your
particular environmental
and installation requirements

Optional:
ROX M63/?
Roxtec cable entry
(not installed)

Power strip
120V 15 amp

Optional:
Forced fan heater
4 sizes available
100 to 400 watt
with thermostat

Display support compatible with
"Chief" PSB-xxxx mounting brackets
(bracket required for display installation)



REAR VIEW
(mounting pattern)