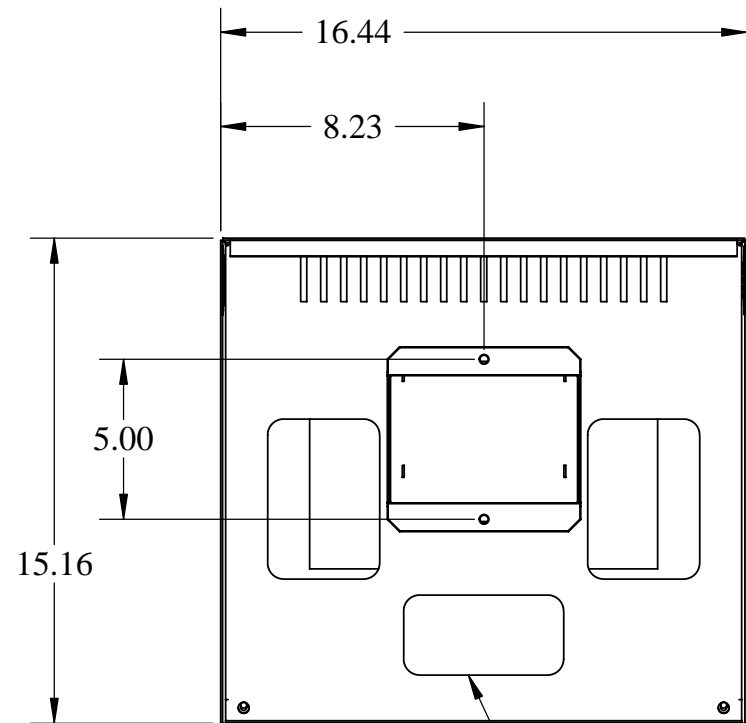
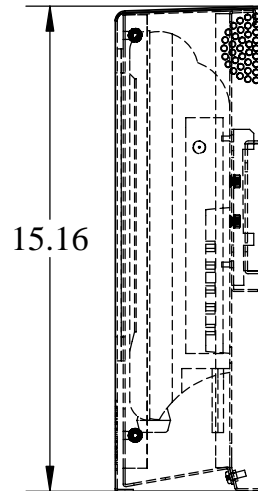
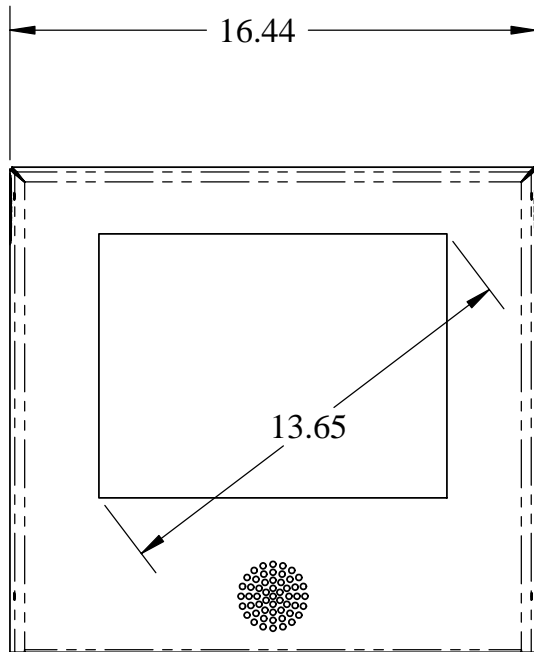
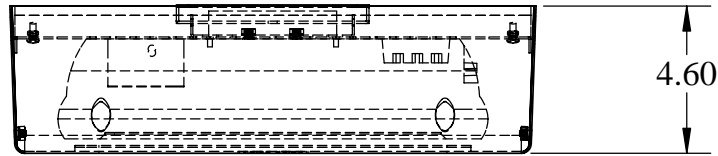


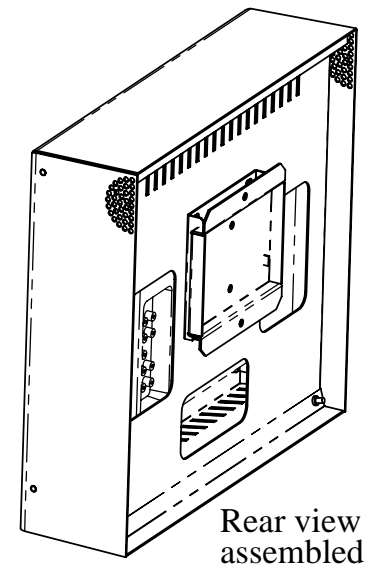
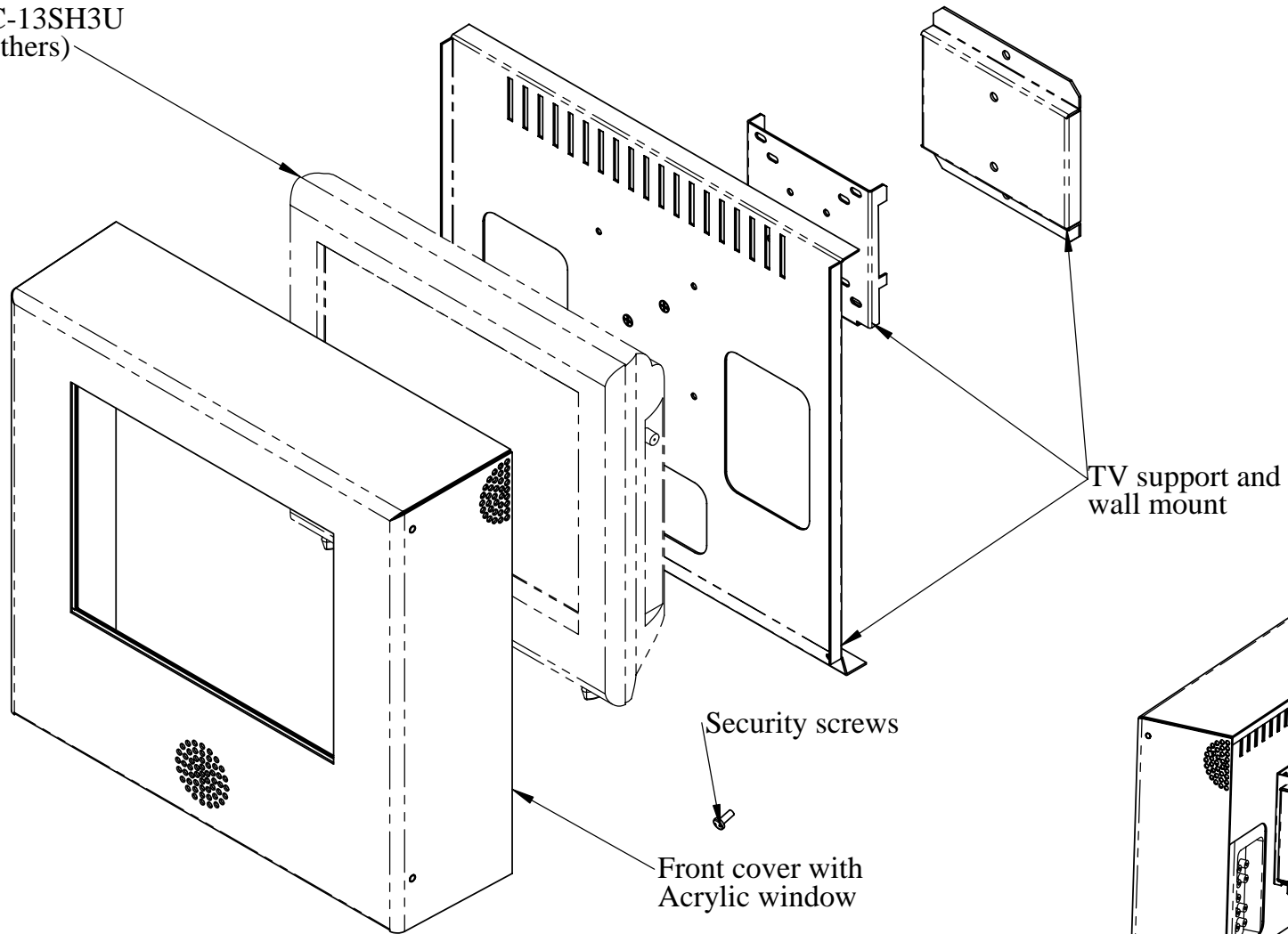
**This enclosure is specifically designed for a Sharp LC-13SH3U.**  
 Enclosure is a welded and bolted construction from cold rolled steel with a powder painted finish.  
 The window is clear Acrylic.  
 Ventilation and sound openings are positioned to provide excellent liquid resistance while allowing convection cooling.  
 The front cover is secured with two spanner head security screws.

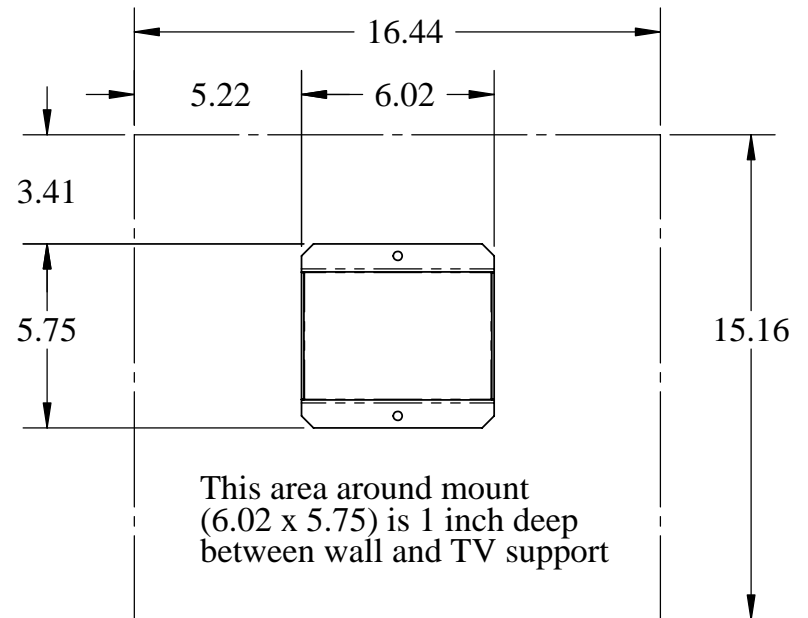
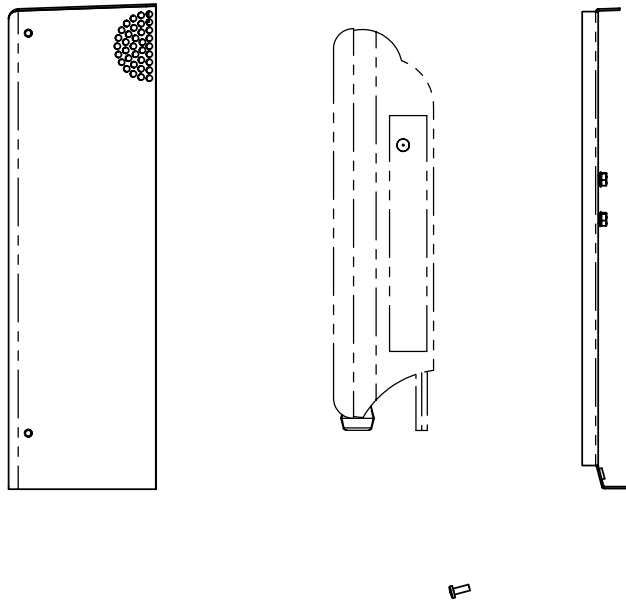


Security screws (2)

Cable access

Sharp LC-13SH3U  
(TV by others)





Wall space and mount position