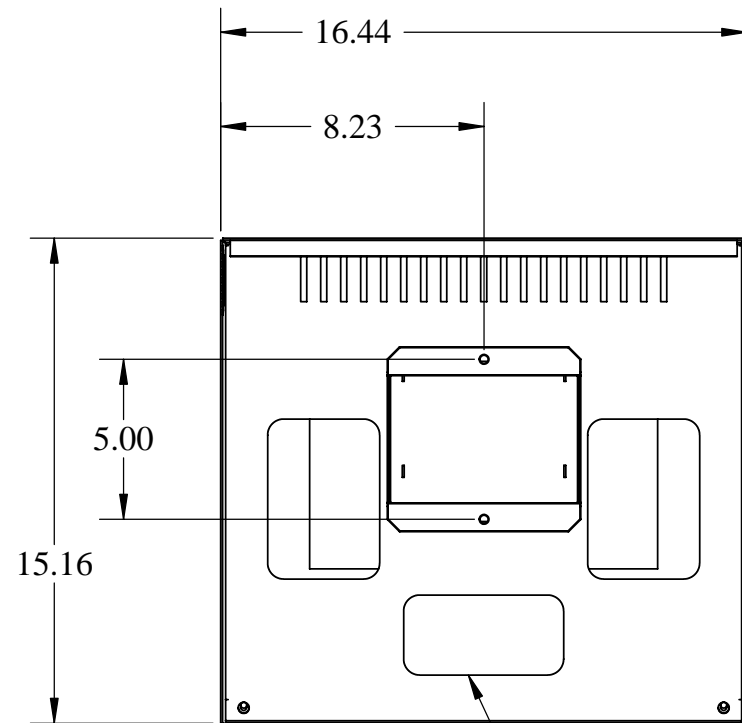
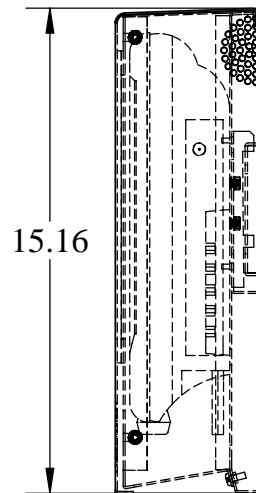
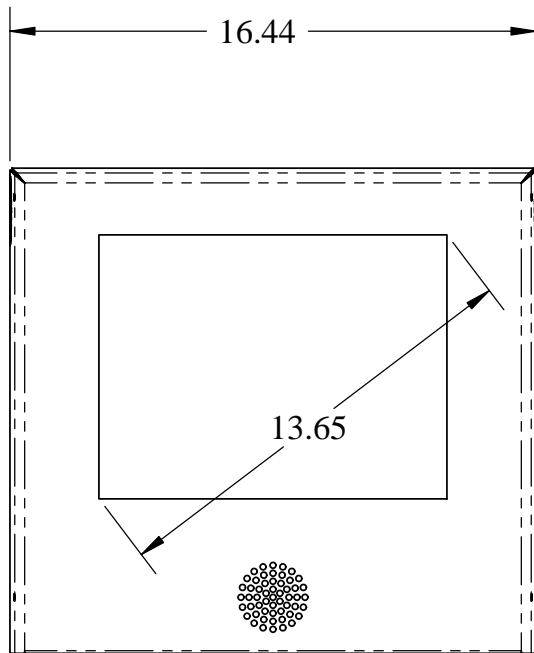
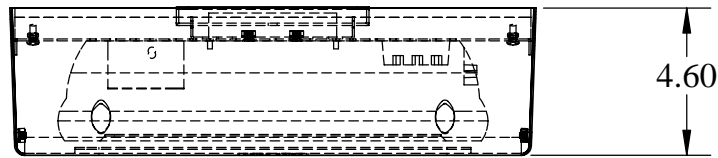


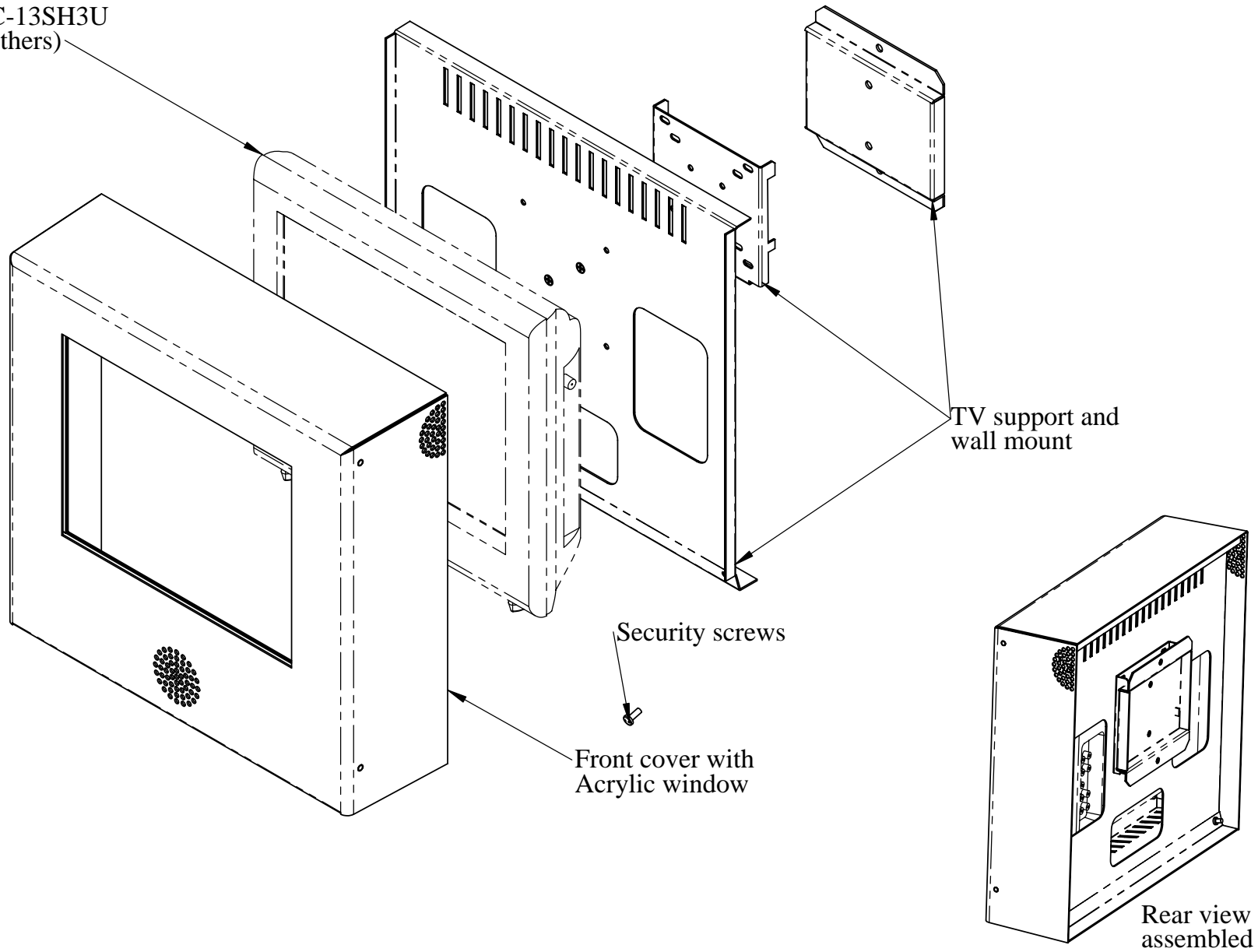
This enclosure is specifically designed for a Sharp LC-13SH3U.
 Enclosure is a welded and bolted construction from cold rolled steel with a powder painted finish.
 The window is clear Acrylic.
 Ventilation and sound openings are positioned to provide excellent liquid resistance while allowing convection cooling.
 The front cover is secured with two spanner head security screws.



Security screws (2)

Cable access

Sharp LC-13SH3U
(TV by others)

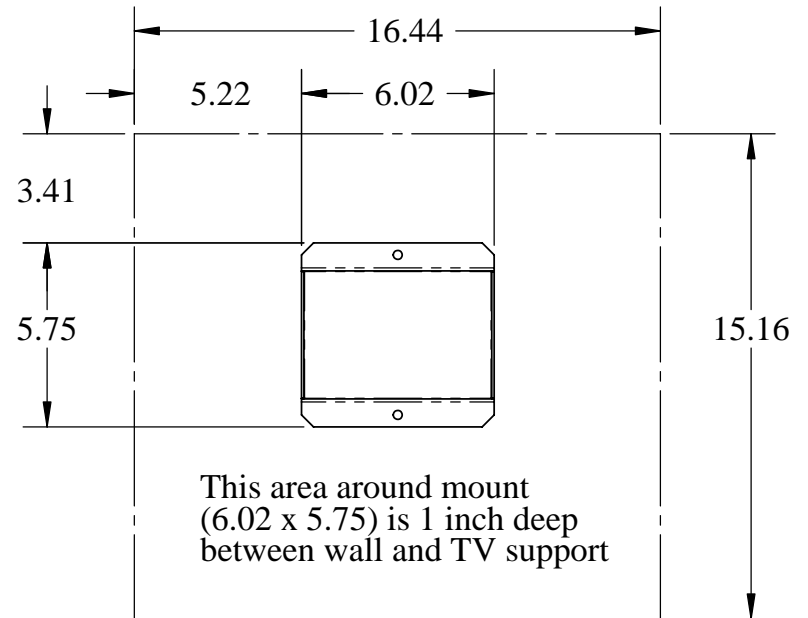
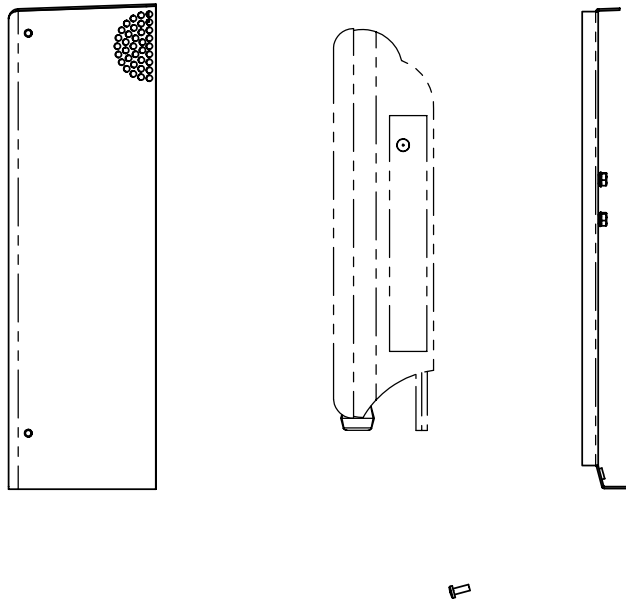


TV support and
wall mount

Security screws

Front cover with
Acrylic window

Rear view
assembled



Wall space and mount position