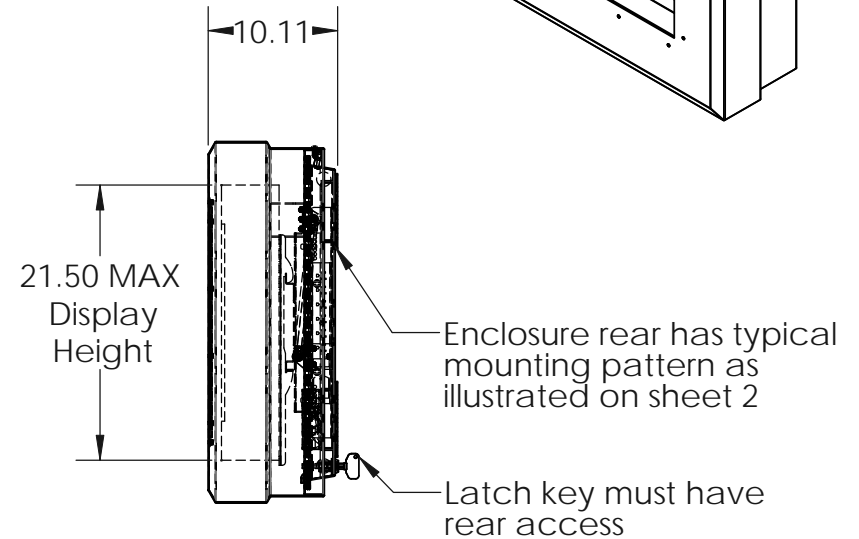
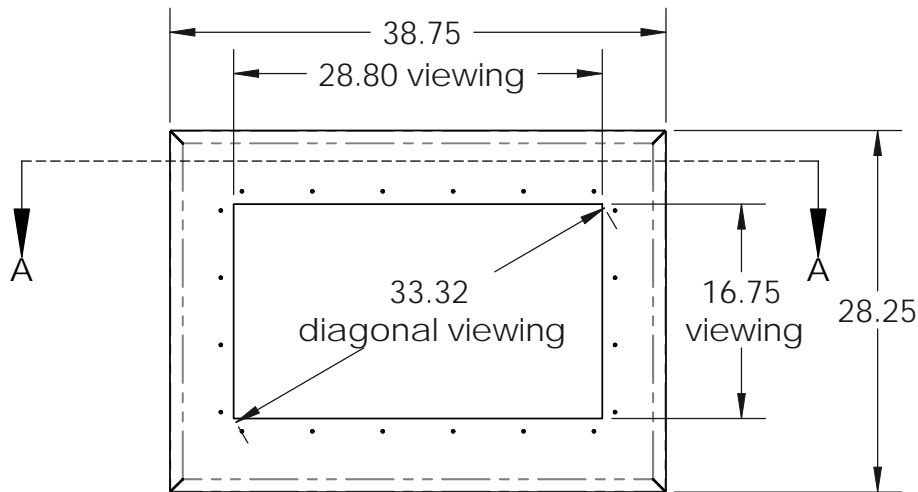
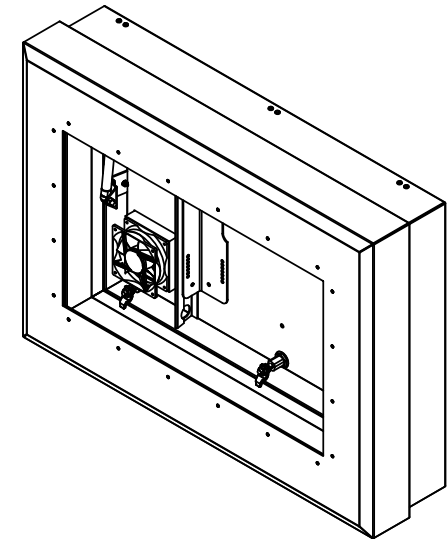


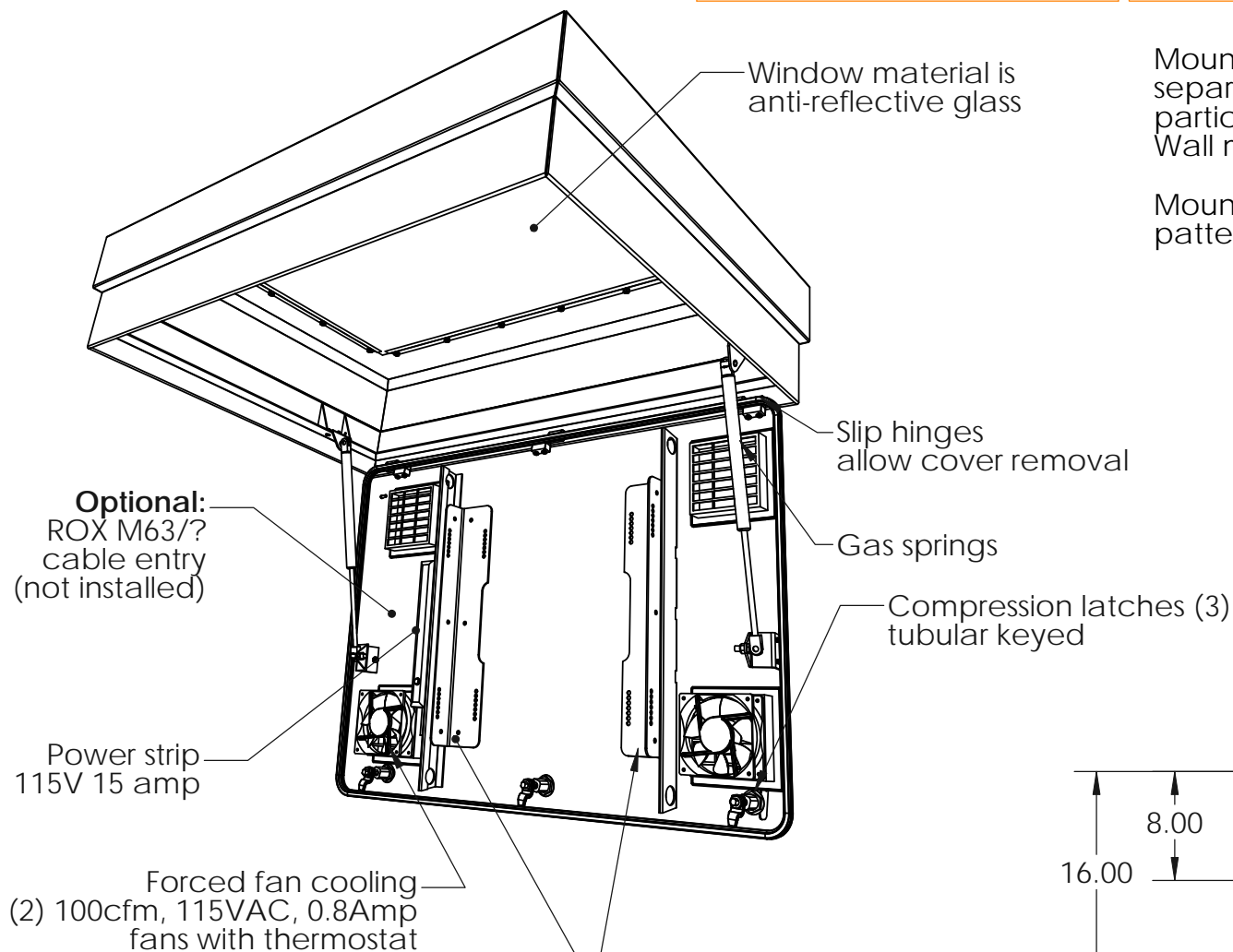
4.50 MAX display depth allows air space to circulate at front of window

SECTION A-A



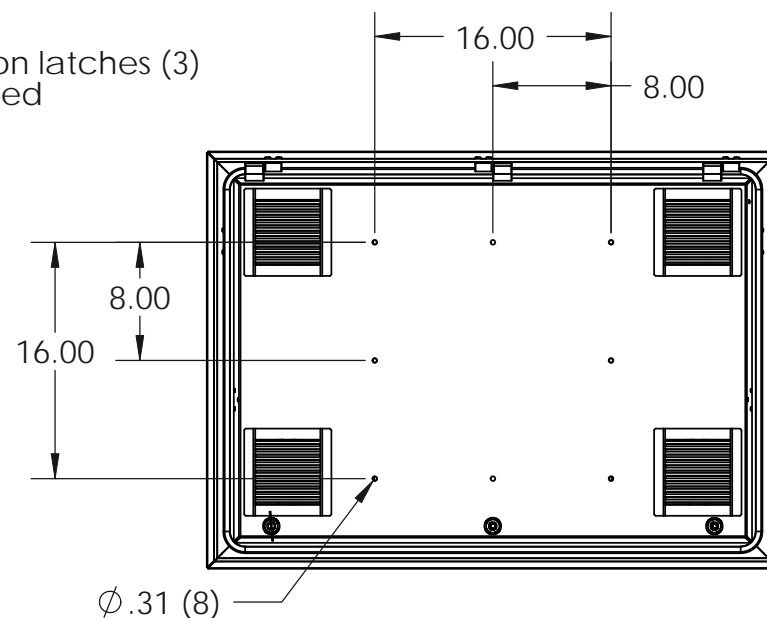
Description:  
 Enclosure body is aluminum with a painted textured finish using polyester powder paint.  
 Viewing window is 4mm anti-reflective tempered glass. The cover is secured with 4 tubular keyed compression latches, accessible from the rear.

**This enclosure is suited for indoor and outdoor use within the parameters outlined on sheet three of this document.**



Mounting devices are sold separately to support your particular installation requirements. Wall mount, Post mount, or Ceiling mount.

Mounts attach at the rear mounting pattern illustrated below.



REAR VIEW  
(mounting pattern)

**NOTE:**  
Display specific adapter brackets are required to install a 32" diagonal display in this enclosure. Brackets listed separately.

### Application parameters for VS-U-32 enclosure

VS-U-32, display enclosure with IP54 rating and fan cooling

Viewing opening .....	33.32" diagonal
Enclosure outside dimensions.....	38.75" W x 28.25" H x 10.11" D
Electrical support.....	115 VAC, 15 Amps
Fan motors (load) .....	0.8 Amps (x 2 fans)
Enclosure weight .....	50 Lbs.

### DISPLAY (LCD or Plasma) requirements

Display outside dimensions MAX .....	31.6" W x 21.5" H x 4.5" D
Display power consumption MAX.....	160 Watts
Display weight MAX.....	120 pounds
Display operating temperature range MIN.....	5° to 40°C (41°to 104°F)

### INSTALLATION ENVIRONMENT requirements

Indoor and protected outdoor locations, with NO SOLAR exposure

Allowable Ambient Temperature range.....	5° to 35°C (41° to 95°F)
Allowable Temperature range (continuous operation).....	-3° to 35°C (26° to 95°F)
Allowable Ambient humidity.....	equal to the rating of the display