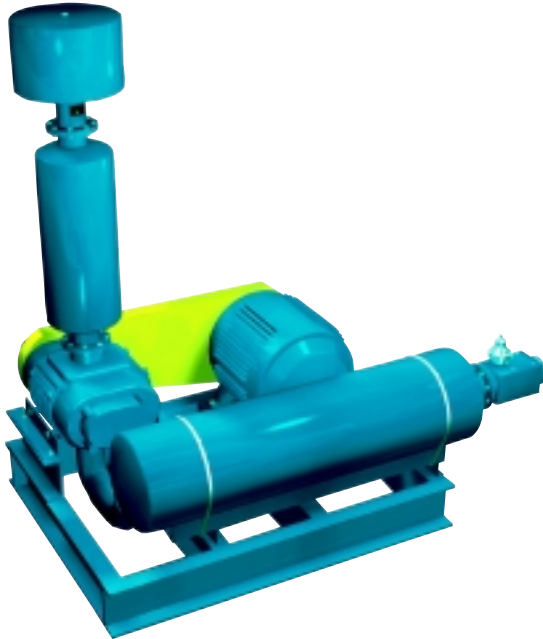




PNEUMATIC CONVEYING SYSTEMS

BLOWER PACKAGE - 8 PSIG



OVERVIEW

Cyclonaire's custom built low pressure (8 PSIG) blower packages are designed for dilute phase pressure conveying.

These blower packages come standard with many important features that others offer as options—quality inlet filter, premium inlet and exhaust silencers, heavy duty outlet check valve, blower hose and industrial strength channel iron frame.

Three configurations are available—standard belt drive, jack shaft drive or direct drive.

Each blower package is engineered for your application's elevation and temperature.

APPLICATIONS

- Dilute phase conveying, also Cyclonaire AirShoot™ air activated gravity conveyors and Cyclonaire VibraPad™ hopper, bin and silo aeration kits

MATERIALS / CHARACTERISTICS

- Any low pressure equipment conveying dry bulk materials

CAPACITY

- To your specifications or per chart (see back side)

BENEFITS AND FEATURES

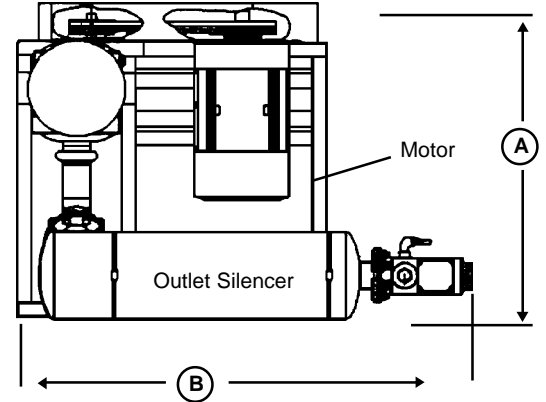
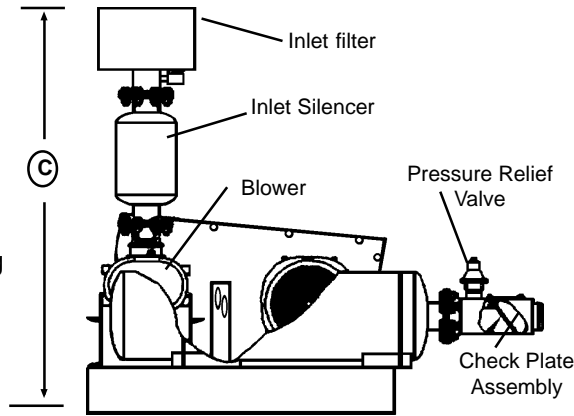
- Low pressure (8+) PSIG convey air
- Rigid channel iron frame designed to your specifications
- Motor: TEFC, 3-phase, 60 Hz, 230/460 VAC
If over 100 HP, 460 VAC only
- Standard:
 - Inlet filter with filter service indicator
 - Inlet and exhaust silencers
 - Safety pressure relief valve
 - Outlet check valve
 - OSHA belt guard protector
 - Adjustable belt tension base
 - 10' hot blower hose
- Specify:
 - Noise reduction requirements
 - Diesel or gasoline engine power,
 - Motor starters

REQUIREMENTS

- 230/460 VAC, 50-60 Hz

BLOWER PACKAGE / 8 PSIG

Typical Applications:
 Pressure Dilute
 Phase Conveying
 Silo and Hopper
 Aeration
 Air Shoot Conveying



All Air Flow Rated 8 PSIG

(HP) MODEL	SCFM	A	B	C	APPROX. WEIGHT
7.5	76	40	57 $\frac{3}{4}$	54 $\frac{1}{2}$	1050
10	120	40	57 $\frac{3}{4}$	54 $\frac{1}{2}$	1050
15	195	41 $\frac{1}{2}$	57 $\frac{1}{2}$	54 $\frac{1}{2}$	1200
20	270	43	59 $\frac{1}{2}$	68 $\frac{1}{4}$	1300
25	345	45	59 $\frac{1}{2}$	68 $\frac{3}{4}$	1500
30	400	45	59 $\frac{1}{2}$	68 $\frac{3}{4}$	1600
40	530	53	75 $\frac{3}{4}$	68 $\frac{3}{4}$	1750
50	700	54	86 $\frac{3}{4}$	72 $\frac{1}{2}$	1900
60	860	54	86 $\frac{3}{4}$	72 $\frac{1}{2}$	2050
75	1090	53	87	73 $\frac{1}{2}$	2200
100	1440	63 $\frac{3}{4}$	97 $\frac{1}{2}$	77	2500
125	1900	65 $\frac{1}{4}$	99 $\frac{1}{4}$	93 $\frac{1}{4}$	3000
150	2350	80	137	94	3360

NOTE: Dimensional data for reference only. Subject to change without notice. All weights are in pounds, all dimensional units are in inches, unless noted. Dimensions A, B and C may change depending on size of inlet and outlet silencers.

PRESSURE DILUTE PHASE SYSTEM

