



PNEUMATIC CONVEYING SYSTEMS

ROTARY AIRLOCK FEEDERS



OVERVIEW

Rotary airlocks are sized for your applications and are available with custom rotor types to suit your applications and materials—powders, granules or smaller pellets.

Rotors are oversized stock for long performance. Shaft drives are heavy duty to minimize deflection. The inlet throat is optimized for excellent product feeding.

Airlocks are available in your choice of materials and other specifications, as detailed in the adjoining column.

APPLICATIONS

- Dilute phase conveying and metering material

MATERIALS / CHARACTERISTICS

- Any free-flowing powders, granules or smaller pellets

CAPACITY

- Determined by your material application

BENEFITS AND FEATURES

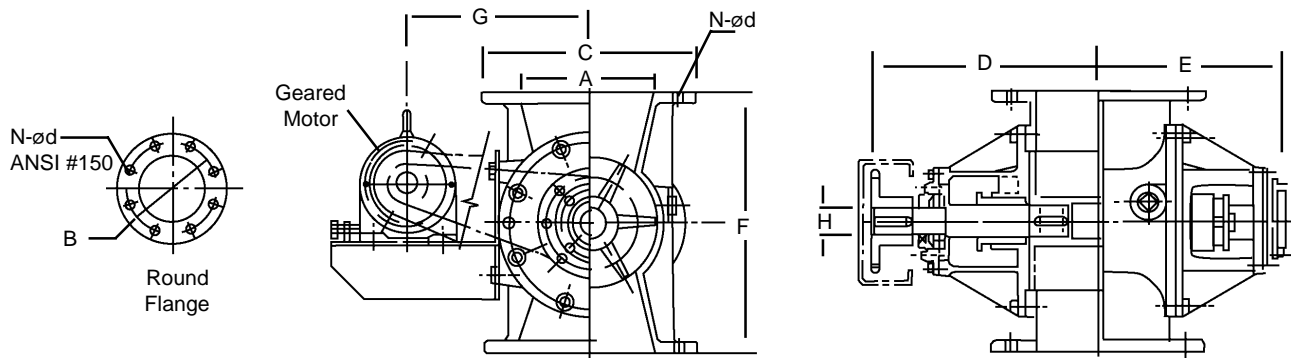
- Precise internal clearances
- Rotors of “oversized” stock
- Larger drive shaft diameters minimize deflection
- Heavy duty flanges resist distortion
- Less operator supervision via automated controls
- Flange sizes
4" to 24" diameter
- Rugged castings—thick, rigid walls for severe service and extended life
- Efficiently designed inlet throat provides optimum flow
- Properly engineered drive packages for reliability
- Specify: CS (standard); 304 SS, 316SS, Ni-hard. Air purge seals, beveled rotors, high temperature design. Other alloys and special surface coatings are available.

REQUIREMENTS

- 230, 460 VAC, 50-60 Hz

ROTARY AIRLOCK FEEDER

ROUND FLANGE



MODEL NUMBER		A	B	C	D	E	F	G	N-ød	H	H.P	Wt.
RVC-R-4	in.	4	7½	9	10 ³ / ₈	8	11 ³ / ₈	11¼	8-¾	1	½	190
	mm.	100	150	229	263	203	290	287	8-20	25		
RVC-R-6	in.	6	9½	11	11½	9 ¹ / ₈	13	12	8- ⁷ / ₈	1¼	½	220
	mm.	150	241	279	293	232	330	307	8-23	32		
RVC-R-8	in.	8	11¼	13½	13 ⁷ / ₈	11	15	12 ⁷ / ₈	8- ⁷ / ₈	1¼	½	265
	mm.	200	298	343	353	278	380	327	8-23	32		
RVC-R-10	in.	10	14¼	16	15¾	12¾	16½	14¼	12- 1	1 ⁷ / ₈	1	440
	mm.	250	362	406	400	324	420	362	12-26	48		
RVC-R-12	in.	12	17	19 ³ / ₈	16½	13½	17¾	17	12- 1	1 ⁷ / ₈	1	510
	mm.	300	432	493	420	344	450	430	12-26	48		
RVC-R-14	in.	14	18¾	21	17½	14½	19 ⁵ / ₈	18	12-1 ¹ / ₈	1 ⁷ / ₈	2	640
	mm.	350	496	535	445	369	500	455	12-29	48		
RVC-R-16	in.	16	21¼	23 ³ / ₈	21 ⁵ / ₈	17 ³ / ₈	21 ⁵ / ₈	20	16-1 ¹ / ₈	2 ³ / ₈	2	970
	mm.	400	540	595	548	440	550	510	16-29	60		
RVC-R-18	in.	18	22¾	25	23½	19¼	23 ⁵ / ₈	22	16-1¼	2 ³ / ₈	3	1,035
	mm.	450	578	635	598	490	600	560	16-32	60		
RVC-R-20	in.	20	25	27 ³ / ₈	25¾	21½	27 ⁵ / ₈	24	20-1¼	2¾	3	1,480
	mm.	500	635	700	653	545	700	600	20-32	70		
RVC-R-24	in.	24	29½	32	30¾	25 ³ / ₈	31½	27 ⁵ / ₈	20-1 ³ / ₈	2¾	5	1,660
	mm.	600	750	815	780	644	800	700	20-35	70		

NOTE: Dimensional data for reference only. Subject to change without notice. All weights are in pounds, all dimensional units are in inches, unless noted.

DILUTE PHASE CONVEYING SYSTEMS

