



PNEUMATIC CONVEYING SYSTEMS

## ROTARY AIRLOCK FEEDERS



### OVERVIEW

Rotary airlocks are sized for your applications and are available with custom rotor types to suit your applications and materials—powders, granules or smaller pellets.

Rotors are oversized stock for long performance. Shaft drives are heavy duty to minimize deflection. The inlet throat is optimized for excellent product feeding.

Airlocks are available in your choice of materials and other specifications, as detailed in the adjoining column.

### APPLICATIONS

- Dilute phase conveying and metering material

### MATERIALS / CHARACTERISTICS

- Any free-flowing powders, granules or smaller pellets

### CAPACITY

- Determined by your material application

### BENEFITS AND FEATURES

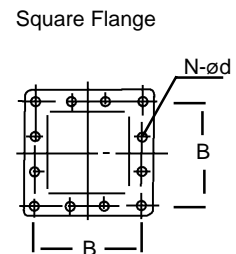
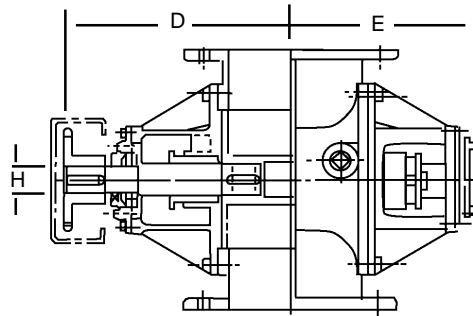
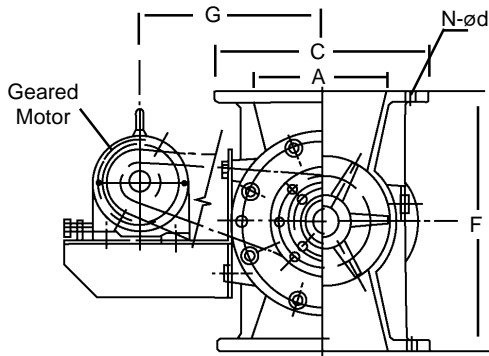
- Precise internal clearances
- Rotors of “oversized” stock
- Larger drive shaft diameters minimize deflection
- Heavy duty flanges resist distortion
- Less operator supervision via automated controls
- Flange sizes  
4" to 24" diameter
- Rugged castings—thick, rigid walls for severe service and extended life
- Efficiently designed inlet throat provides optimum flow
- Properly engineered drive packages for reliability
- Specify: CS (standard); 304 SS, 316SS, Ni-hard. Air purge seals, beveled rotors, high temperature design. Other alloys and special surface coatings are available.

### REQUIREMENTS

- 230, 460 VAC, 50-60 Hz

# ROTARY AIRLOCK FEEDER

## SQUARE FLANGE



MODEL NUMBER		A	B	C	D	E	F	G	N-ød	H	H.P.	Wt.
RVC-S-4	in.	4	6 <sup>1</sup> / <sub>4</sub>	8	10 <sup>3</sup> / <sub>8</sub>	8	11 <sup>3</sup> / <sub>8</sub>	11 <sup>1</sup> / <sub>4</sub>	8- <sup>5</sup> / <sub>8</sub>	1	1/2	190
	mm.	100	160	205	262	203	290	287	8-16	25		
RVC-S-6	in.	6	8 <sup>1</sup> / <sub>4</sub>	9 <sup>7</sup> / <sub>8</sub>	11 <sup>1</sup> / <sub>2</sub>	9 <sup>1</sup> / <sub>8</sub>	13	12	8- <sup>5</sup> / <sub>8</sub>	1 <sup>1</sup> / <sub>4</sub>	1/2	220
	mm.	150	210	250	293	232	330	307	8-16	32		
RVC-S-8	in.	8	10 <sup>3</sup> / <sub>8</sub>	11 <sup>3</sup> / <sub>4</sub>	13 <sup>7</sup> / <sub>8</sub>	11	15	12 <sup>7</sup> / <sub>8</sub>	12- <sup>5</sup> / <sub>8</sub>	1 <sup>1</sup> / <sub>4</sub>	1/2	265
	mm.	200	261	300	353	278	380	327	12-16	32		
RVC-S-10	in.	10	12 <sup>5</sup> / <sub>8</sub>	14 <sup>1</sup> / <sub>8</sub>	15 <sup>3</sup> / <sub>4</sub>	12 <sup>3</sup> / <sub>4</sub>	16 <sup>1</sup> / <sub>2</sub>	14 <sup>1</sup> / <sub>4</sub>	12- <sup>3</sup> / <sub>4</sub>	1 <sup>7</sup> / <sub>8</sub>	1	440
	mm.	250	321	360	400	324	420	362	12-18	48		
RVC-S-12	in.	12	15 <sup>5</sup> / <sub>8</sub>	16 <sup>7</sup> / <sub>8</sub>	16 <sup>1</sup> / <sub>2</sub>	13 <sup>1</sup> / <sub>2</sub>	17 <sup>3</sup> / <sub>4</sub>	17	12- <sup>3</sup> / <sub>4</sub>	1 <sup>7</sup> / <sub>8</sub>	1	510
	mm.	300	390	430	420	344	450	430	12-20	48		
RVC-S-14	in.	14	17 <sup>1</sup> / <sub>8</sub>	18 <sup>7</sup> / <sub>8</sub>	17 <sup>1</sup> / <sub>2</sub>	14 <sup>1</sup> / <sub>2</sub>	19 <sup>5</sup> / <sub>8</sub>	18	12- <sup>3</sup> / <sub>4</sub>	1 <sup>7</sup> / <sub>8</sub>	2	640
	mm.	350	435	480	445	369	500	455	12-20	48		
RVC-S-16	in.	16	18 <sup>7</sup> / <sub>8</sub>	20 <sup>7</sup> / <sub>8</sub>	21 <sup>5</sup> / <sub>8</sub>	17 <sup>3</sup> / <sub>8</sub>	21 <sup>5</sup> / <sub>8</sub>	20	12- <sup>3</sup> / <sub>4</sub>	2 <sup>3</sup> / <sub>8</sub>	2	970
	mm.	400	480	530	548	440	550	510	12-20	60		
RVC-S-18	in.	18	20 <sup>5</sup> / <sub>8</sub>	22 <sup>7</sup> / <sub>8</sub>	23 <sup>1</sup> / <sub>2</sub>	19 <sup>1</sup> / <sub>4</sub>	23 <sup>5</sup> / <sub>8</sub>	22	12- <sup>3</sup> / <sub>4</sub>	2 <sup>3</sup> / <sub>8</sub>	3	1,035
	mm.	450	525	580	598	490	600	560	12-20	60		
RVC-S-20	in.	20	22 <sup>7</sup> / <sub>8</sub>	24 <sup>3</sup> / <sub>4</sub>	25 <sup>3</sup> / <sub>4</sub>	21 <sup>1</sup> / <sub>2</sub>	27 <sup>5</sup> / <sub>8</sub>	24	20- <sup>3</sup> / <sub>4</sub>	2 <sup>3</sup> / <sub>4</sub>	3	1,480
	mm.	500	580	630	653	545	700	600	20-20	70		
RVC-S-24	in.	24	26 <sup>3</sup> / <sub>4</sub>	28 <sup>3</sup> / <sub>4</sub>	30 <sup>3</sup> / <sub>4</sub>	25 <sup>3</sup> / <sub>8</sub>	31 <sup>1</sup> / <sub>2</sub>	27 <sup>5</sup> / <sub>8</sub>	20- <sup>7</sup> / <sub>8</sub>	2 <sup>3</sup> / <sub>4</sub>	5	1,660
	mm.	600	680	730	780	644	800	700	20-22	70		

NOTE: Dimensional data for reference only. Subject to change without notice. All weights are in pounds, all dimensional units are in inches, unless noted.

## DILUTE PHASE CONVEYING SYSTEMS

