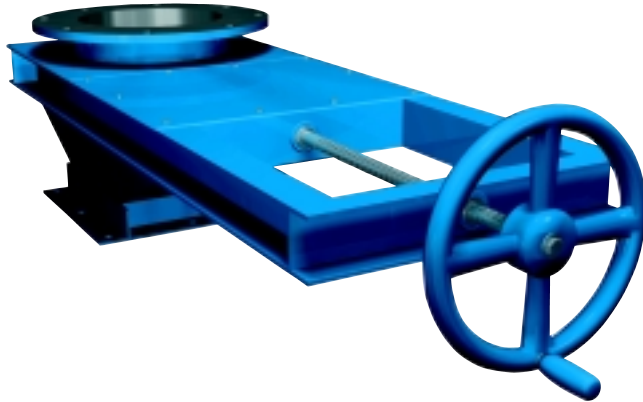




PNEUMATIC CONVEYING SYSTEMS

# SLIDE GATE - Maintenance



## OVERVIEW

Isolate overhead source materials from bins, hoppers and silos for periodic maintenance of your material feeder or other conveying equipment.

Material cutoff is clean due to no end blade retention ledges or butterfly disks. The scissor style orifice action minimizes material shearing. Blade also self cleans on the opening stroke.

Hard seals provide optimal wear resistance and long life.

The narrow profile of the maintenance gate offers restricted dimension installation and access.

Quality, custom built at competitive prices.

## APPLICATIONS

- Appropriate for material isolation for maintenance with all bins, hoppers and silos

## MATERIALS / CHARACTERISTICS

- Any source vessel material to be isolated from a point of entry into the conveying system

## CAPACITY

- 4.0" through 26.0" diameter nominal openings

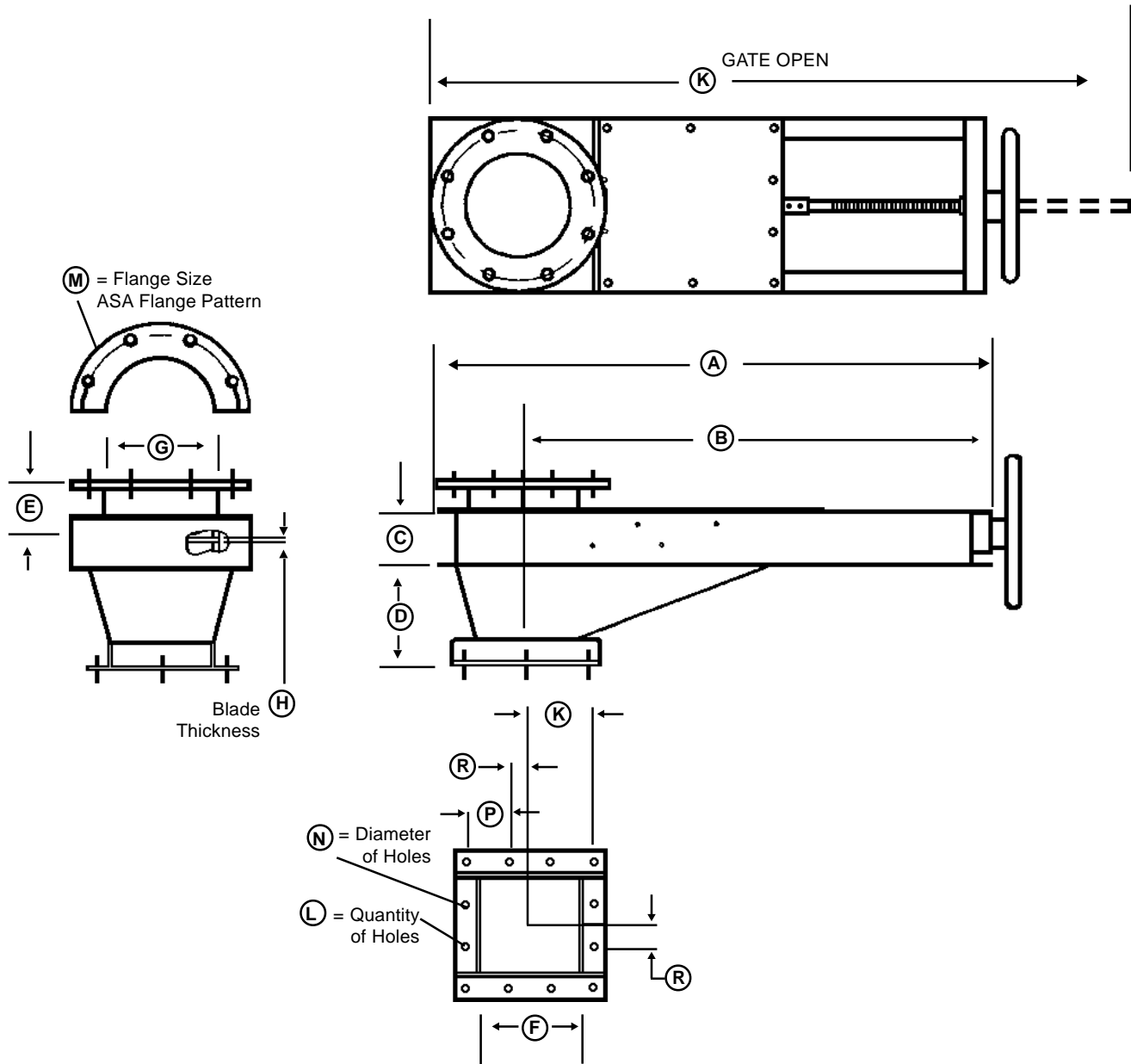
## BENEFITS AND FEATURES

- Operates with hand wheel linked to gate through acme screw; no costly actuators or motors
- Unobstructed orifice with no end blade retention ledges or butterfly disks.
- Hard seals for wear resistance
- Mechanically self cleans on the opening stroke
- Narrow profile available for restricted access installations
- "Scissor" sliding orifice action minimizes shearing
- Specify: Carbon steel or 304 SS, custom sizes and requirements

## REQUIREMENTS

- Installation space as per dimension table (see back side)

# MANUAL MAINTENANCE SLIDE GATE



	A	B	C	D	E	F	G	H	J	K	L	M	N	P	R
AMS	34	28	4.25	7	2	3.50	4	.375	50	2.375	8	4	.312	-	1.25
AMS-6	40	33	4.25	8	2	5.50	6	.375	56	3.625	8	6	.437	-	1.875
AMS-8	46	38	4.25	9	2	7.50	8	.375	62	4.875	8	8	.437	-	2.5
AMS-10	52	43	4.25	10	3	9.50	10	.375	68	6	12	10	.562	4	2
AMS-12	58	48	4.25	11	4	11.25	12	.375	74	7.312	12	12	.562	4.875	2.437
AMS-14	66	55	5.25	12	4	14	14	.50	80	8.5	16	14	.562	4.25	4.25
AMS-16	72	60	5.25	13	4	16	16	.50	86	10	16	16	.562	5	5

NOTE: Dimensional data for reference only. Subject to change without notice. All dimensional units are in inches, unless noted. Consult factory for specification variances. Optional inlet and outlet flanges are available, as well as low profile options. Consult factory for availability.