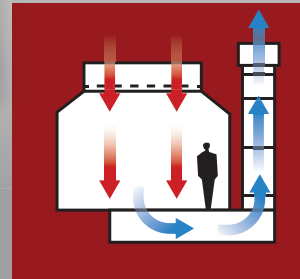




### FEATURES

- Premium 18 gauge G90 Galvanized steel construction
- AMCA certified aluminum blade fans with TEFC motor standard
- UL listed color correct fluorescent light fixtures
- 20 x 20 Industry standard filters
- 200# Sq./ft. steel pit grating
- Product Doors
- Easy nut & bolt assembly with 3D exploded view drawings



### DOWNDRAFT

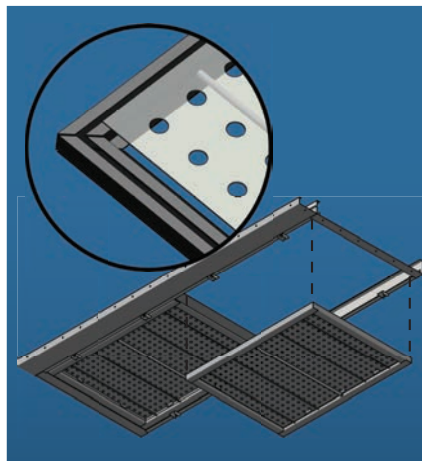
- Pressurized or Non-pressurized Supply Air
- Vertical Airflow
- Vapor Tight Lighting
- Customizable Options
- Optimized Work Area

### Superior Finish

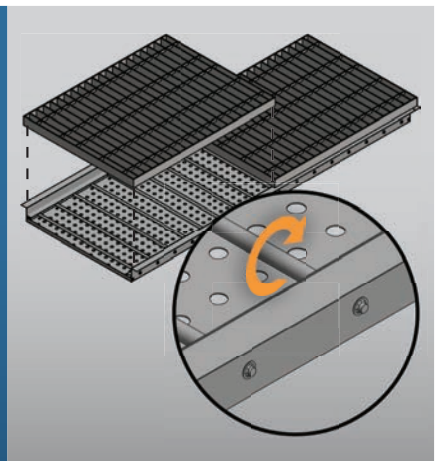
Downdraft booths provide optimal airflow and are the preferred booth style for achieving an ultra-high quality paint finish.

Upgrade to a Rohner exclusive supply blanket filter rack. Intake filter rack comes with a roll-in pinch strip, guaranteeing a 100% seal every time. Upgrade to a Quick Change filter pan for additional labor savings.

Booths are designed to meet or exceed NFPA33 and IFC Chapter 24 requirements. Consult your local authority having jurisdiction for additional requirements before purchasing.



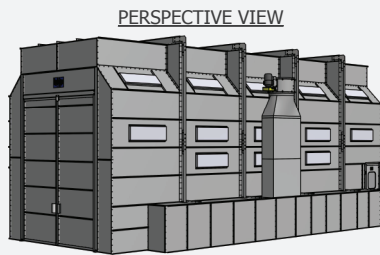
36"x44" Premium Supply Filter Rack



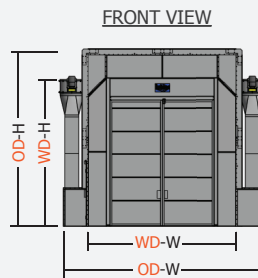
Quick Change Filter Roller System

# ISD - INDUSTRIAL SEMI-DOWNDRAFT BOOTH

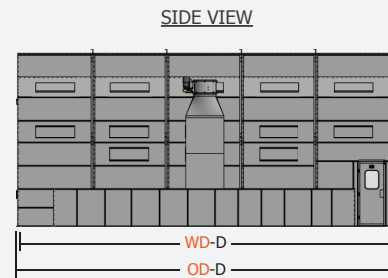
MODEL	Working Dim. (WD)			Overall Dim. (OD)			Light Fixtures	Intake Filters	Exhaust Filters	Exhaust Fan Sized at 50FPM @ .85" S.P.
	W	H	D	W	H	D				
<b>14'-0" Wide</b>										
ISD-14-10-24	14'-0"	10'-0"	23'-10"	19'-4"	13'-2"	24'-2"	9	60	40	(2) 30" 3hp- 16,800cfm
ISD-14-10-26	14'-0"	10'-0"	25'-11"	19'-4"	13'-2"	26'-3"	10	60	44	(2) 30" 3hp- 18,200cfm
ISD-14-10-28	14'-0"	10'-0"	27'-11"	19'-4"	13'-2"	28'-3"	10	70	48	(2) 30" 3hp- 19,600cfm
ISD-14-10-30	14'-0"	10'-0"	29'-11"	19'-4"	13'-2"	30'-3"	11	80	52	(2) 30" 3hp- 21,000cfm
ISD-14-10-32	14'-0"	10'-0"	31'-11"	19'-4"	13'-2"	32'-3"	12	80	56	(2) 30" 5hp- 22,400cfm
NPCF	-	-	-	-	-(2'-6")	-	-	-	-	-
PD-10-10	9'-0"	9'-6"	-	10'-0"	10'-0"	-	-	-	-	-
ISD-14-12-24	14'-0"	12'-0"	23'-10"	19'-4"	15'-2"	24'-2"	11	60	40	(2) 30" 3hp- 16,800cfm
ISD-14-12-26	14'-0"	12'-0"	25'-11"	19'-4"	15'-2"	26'-3"	12	60	44	(2) 30" 3hp- 18,200cfm
ISD-14-12-28	14'-0"	12'-0"	27'-11"	19'-4"	15'-2"	28'-3"	12	70	48	(2) 30" 3hp- 19,600cfm
ISD-14-12-30	14'-0"	12'-0"	29'-11"	19'-4"	15'-2"	30'-3"	13	80	52	(2) 30" 3hp- 21,000cfm
ISD-14-12-32	14'-0"	12'-0"	31'-11"	19'-4"	15'-2"	32'-3"	14	80	56	(2) 30" 5hp- 22,400cfm
NPCF	-	-	-	-	-(2'-6")	-	-	-	-	-
PD-10-12	9'-0"	11'-6"	-	10'-0"	12'-0"	-	-	-	-	-
<b>16'-0" Wide</b>										
ISD-16-16-32	16'-0"	16'-0"	31'-11"	21'-4"	19'-2"	32'-3"	21	96	56	(2) 36" 5hp- 25,600cfm
ISD-16-16-40	16'-0"	16'-0"	40'-0"	21'-4"	19'-2"	40'-4"	26	120	64	(4) 30" 3hp- 32,000cfm
ISD-16-16-48	16'-0"	16'-0"	48'-1"	21'-4"	19'-2"	48'-5"	31	144	80	(4) 30" 3hp- 38,400cfm
ISD-16-16-56	16'-0"	16'-0"	56'-2"	21'-4"	19'-2"	56'-6"	36	168	96	(4) 30" 3hp- 44,800cfm
ISD-16-16-60	16'-0"	16'-0"	60'-3"	21'-4"	19'-2"	60'-7"	36	180	104	(4) 30" 5hp- 48,000cfm
NPCF	-	-	-	-	-(2'-6")	-	-	-	-	-
PD-12-12	11'-0"	11'-6"	-	12'-0"	12'-0"	-	-	-	-	-
<b>18'-0" Wide</b>										
ISD-18-16-32	18'-0"	16'-0"	31'-11"	23'-4"	19'-2"	32'-3"	24	112	56	(2) 36" 5hp- 28,800cfm
ISD-18-16-40	18'-0"	16'-0"	40'-0"	23'-4"	19'-2"	40'-4"	29	140	90	(4) 30" 3hp- 36,000cfm
ISD-18-16-48	18'-0"	16'-0"	48'-1"	23'-4"	19'-2"	48'-5"	35	168	106	(4) 36" 3hp- 43,200cfm
ISD-18-16-56	18'-0"	16'-0"	56'-2"	23'-4"	19'-2"	56'-6"	41	196	122	(4) 36" 5hp- 50,400cfm
ISD-18-16-60	18'-0"	16'-0"	60'-3"	23'-4"	19'-2"	60'-7"	44	210	138	(4) 36" 5hp- 54,000cfm
NPCF	-	-	-	-	-(2'-6")	-	-	-	-	-
PD-14-12	13'-0"	11'-6"	-	14'-0"	12'-0"	-	-	-	-	-
<b>20'-0" Wide</b>										
ISD-20-16-32	20'-0"	16'-0"	31'-11"	25'-4"	19'-2"	32'-3"	26	128	78	(2) 42" 5hp- 32,000cfm
ISD-20-16-40	20'-0"	16'-0"	40'-0"	25'-4"	19'-2"	40'-4"	32	160	96	(4) 36" 3hp- 40,000cfm
ISD-20-16-48	20'-0"	16'-0"	48'-1"	25'-4"	19'-2"	48'-5"	39	192	120	(4) 36" 5hp- 48,000cfm
ISD-20-16-56	20'-0"	16'-0"	56'-2"	25'-4"	19'-2"	56'-6"	45	224	144	(4) 36" 5hp- 56,000cfm
ISD-20-16-60	20'-0"	16'-0"	60'-3"	25'-4"	19'-2"	60'-7"	48	240	156	(4) 36" 5hp- 60,000cfm
NPCF	-	-	-	-	-(2'-6")	-	-	-	-	-
PD-16-12	15'-0"	11'-6"	-	16'-0"	12'-0"	-	-	-	-	-



PERSPECTIVE VIEW



FRONT VIEW



SIDE VIEW

**NOTE:** Model shown includes lower side wall plenums (exhaust) and pressurized ceiling plenum (intake).

## TABLE LEGEND

ISD = Industrial Semi-Downdraft Booth: Booth comes standard with lower side wall plenums (exhaust) and pressurized ceiling plenum (intake).  
 NPCF = Non-Pressurized Ceiling Filters: Ceiling Plenum is removed and air is passively pulled through ceiling filters, reduces overall height.  
 PD = Product Doors. Options: Standard, Filtered, Bi-fold, Tri-fold, Roll-up, or Sliding.

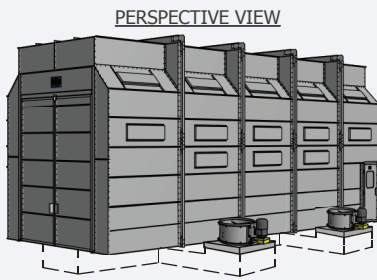
Standard Motors: 1hp and greater are 230/460V three phase, fractional hp motors are 115/230V single phase. Additional motor configurations available.



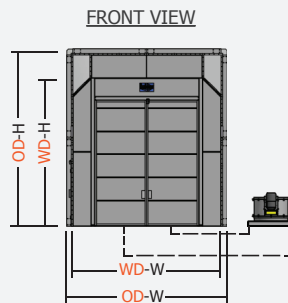
www.rohner-usa.com  
888.885.7641

# IDD - INDUSTRIAL DOWNDRAFT BOOTH

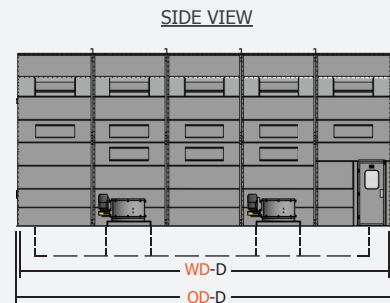
MODEL	Working Dim. (WD)			Overall Dim. (OD)			Light Fixtures	Intake Filters	Exhaust Filters	Exhaust Fan Sized at 50FPM @ .85" S.P.
	W	H	D	W	H	D				
<b>14'-0" Wide</b>										
IDD-14-10-24	14'-0"	10'-0"	23'-10"	15'-4"	13'-2"	24'-2"	9	60	40	(1) 42" 5hp- 16,800cfm
IDD-14-10-26	14'-0"	10'-0"	25'-11"	15'-4"	13'-2"	26'-3"	10	60	44	(1) 42" 7.5hp-18,200cfm
IDD-14-10-28	14'-0"	10'-0"	27'-11"	15'-4"	13'-2"	28'-3"	10	70	48	(1) 42" 7.5hp-19,600cfm
IDD-14-10-30	14'-0"	10'-0"	29'-11"	15'-4"	13'-2"	30'-3"	11	80	52	(1) 42" 7.5hp-21,000cfm
IDD-14-10-32	14'-0"	10'-0"	31'-11"	15'-4"	13'-2"	32'-3"	12	80	56	(1) 42" 7.5hp-22,400cfm
NPCF	-	-	-	-	-(2'-6")	-	-	-	-	-
PD-10-10	9'-0"	9'-6"	-	10'-0"	10'-0"	-	-	-	-	-
IDD-14-12-24	14'-0"	12'-0"	23'-10"	15'-4"	15'-2"	24'-2"	11	60	40	(1) 42" 5hp- 16,800cfm
IDD-14-12-26	14'-0"	12'-0"	25'-11"	15'-4"	15'-2"	26'-3"	12	60	44	(1) 42" 7.5hp-18,200cfm
IDD-14-12-28	14'-0"	12'-0"	27'-11"	15'-4"	15'-2"	28'-3"	12	70	48	(1) 42" 7.5hp-19,600cfm
IDD-14-12-30	14'-0"	12'-0"	29'-11"	15'-4"	15'-2"	30'-3"	13	80	52	(1) 42" 7.5hp-21,000cfm
IDD-14-12-32	14'-0"	12'-0"	31'-11"	15'-4"	15'-2"	32'-3"	14	80	56	(1) 42" 7.5hp-22,400cfm
NPCF	-	-	-	-	-(2'-6")	-	-	-	-	-
PD-10-12	9'-0"	11'-6"	-	10'-0"	12'-0"	-	-	-	-	-
<b>16'-0" Wide</b>										
IDD-16-16-32	16'-0"	16'-0"	31'-11"	17'-4"	19'-2"	32'-3"	21	96	56	(1) 42" 10hp- 25,600cfm
IDD-16-16-40	16'-0"	16'-0"	40'-0"	17'-4"	19'-2"	40'-4"	26	120	64	(2) 42" 5hp- 32,000cfm
IDD-16-16-48	16'-0"	16'-0"	48'-1"	17'-4"	19'-2"	48'-5"	31	144	80	(2) 42" 7.5hp-38,400cfm
IDD-16-16-56	16'-0"	16'-0"	56'-2"	17'-4"	19'-2"	56'-6"	36	168	96	(2) 42" 10hp- 44,800cfm
IDD-16-16-60	16'-0"	16'-0"	60'-3"	17'-4"	19'-2"	60'-7"	36	180	104	(2) 42" 10hp- 48,000cfm
NPCF	-	-	-	-	-(2'-6")	-	-	-	-	-
PD-12-12	11'-0"	11'-6"	-	12'-0"	12'-0"	-	-	-	-	-
<b>18'-0" Wide</b>										
IDD-18-16-32	18'-0"	16'-0"	31'-11"	19'-8"	19'-2"	32'-3"	24	112	56	(1) 48" 10hp- 28,800cfm
IDD-18-16-40	18'-0"	16'-0"	40'-0"	19'-8"	19'-2"	40'-4"	29	140	90	(2) 42" 7.5hp-36,000cfm
IDD-18-16-48	18'-0"	16'-0"	48'-1"	19'-8"	19'-2"	48'-5"	35	168	106	(2) 42" 7.5hp-43,200cfm
IDD-18-16-56	18'-0"	16'-0"	56'-2"	19'-8"	19'-2"	56'-6"	41	196	122	(2) 42" 10hp- 50,400cfm
IDD-18-16-60	18'-0"	16'-0"	60'-3"	19'-8"	19'-2"	60'-7"	44	210	138	(2) 48" 10hp- 54,000cfm
NPCF	-	-	-	-	-(2'-6")	-	-	-	-	-
PD-14-12	13'-0"	11'-6"	-	14'-0"	12'-0"	-	-	-	-	-
<b>20'-0" Wide</b>										
IDD-20-16-32	20'-0"	16'-0"	31'-11"	21'-8"	19'-2"	32'-3"	26	128	78	(2) 42" 5hp- 32,000cfm
IDD-20-16-40	20'-0"	16'-0"	40'-0"	21'-8"	19'-2"	40'-4"	32	160	96	(2) 42" 7.5hp-40,000cfm
IDD-20-16-48	20'-0"	16'-0"	48'-1"	21'-8"	19'-2"	48'-5"	39	192	120	(2) 42" 10hp- 48,000cfm
IDD-20-16-56	20'-0"	16'-0"	56'-2"	21'-8"	19'-2"	56'-6"	45	224	144	(2) 42" 10hp- 56,000cfm
IDD-20-16-60	20'-0"	16'-0"	60'-3"	21'-8"	19'-2"	60'-7"	48	240	156	(2) 48" 10hp- 60,000cfm
NPCF	-	-	-	-	-(2'-6")	-	-	-	-	-
PD-16-12	15'-0"	11'-6"	-	16'-0"	12'-0"	-	-	-	-	-



PERSPECTIVE VIEW



FRONT VIEW



SIDE VIEW

**NOTE:** Model shown includes concrete pit (exhaust) and pressurized ceiling plenum (intake).

## TABLE LEGEND

IDD = Industrial Downdraft Booth: Comes standard with filter pans, adjustable baffles, and the **Quick Change** roller system (exhaust); pressurized ceiling plenum (intake).  
 NPCF = Non-Pressurized Ceiling Filters: Ceiling Plenum is removed and air is passively pulled through ceiling filters, reduces overall height.  
 PD = Product Doors. Options: Standard, Filtered, Bi-fold, Tri-fold, Roll-up, or Sliding.

Standard Motors: 1hp and greater are 230/460V three phase; fractional hp motors are 115/230V single phase. Additional motor configurations available.



www.rohner-usa.com  
888.885.7641

# DOWNDRAFT SPECIFICATIONS

BOOTH DESIGN	STD.	OPT.	BOOTH DESIGN	STD.	OPT.
18 Gauge galvanized construction	✓		NESHAP compliant multistage filter system		✓
20" x 20" exhaust filter frames with wire grids	✓		3' x 7' Personnel access door with 18" x 24" tempered glass window		✓
Class I Div. II sealed inside access light fixtures with color correct lamps	✓		Quick Change Filter Roller System		✓
Spark resistant tube axial fan w/ TEFC motor	✓		36"x44" Premium Supply Filter Rack		✓
High static exhaust fan		✓	Dual entry (drive through) product doors		✓
Powder coated white finish		✓	Heated makeup air unit (M.A.U.)		✓

## DOWNDRAFT/SIDE-DOWNDRAFT DIAGRAM

Model Number = (Ex: ISD-LSWP-14-12-24-CP)

ISD = Class & Booth Type

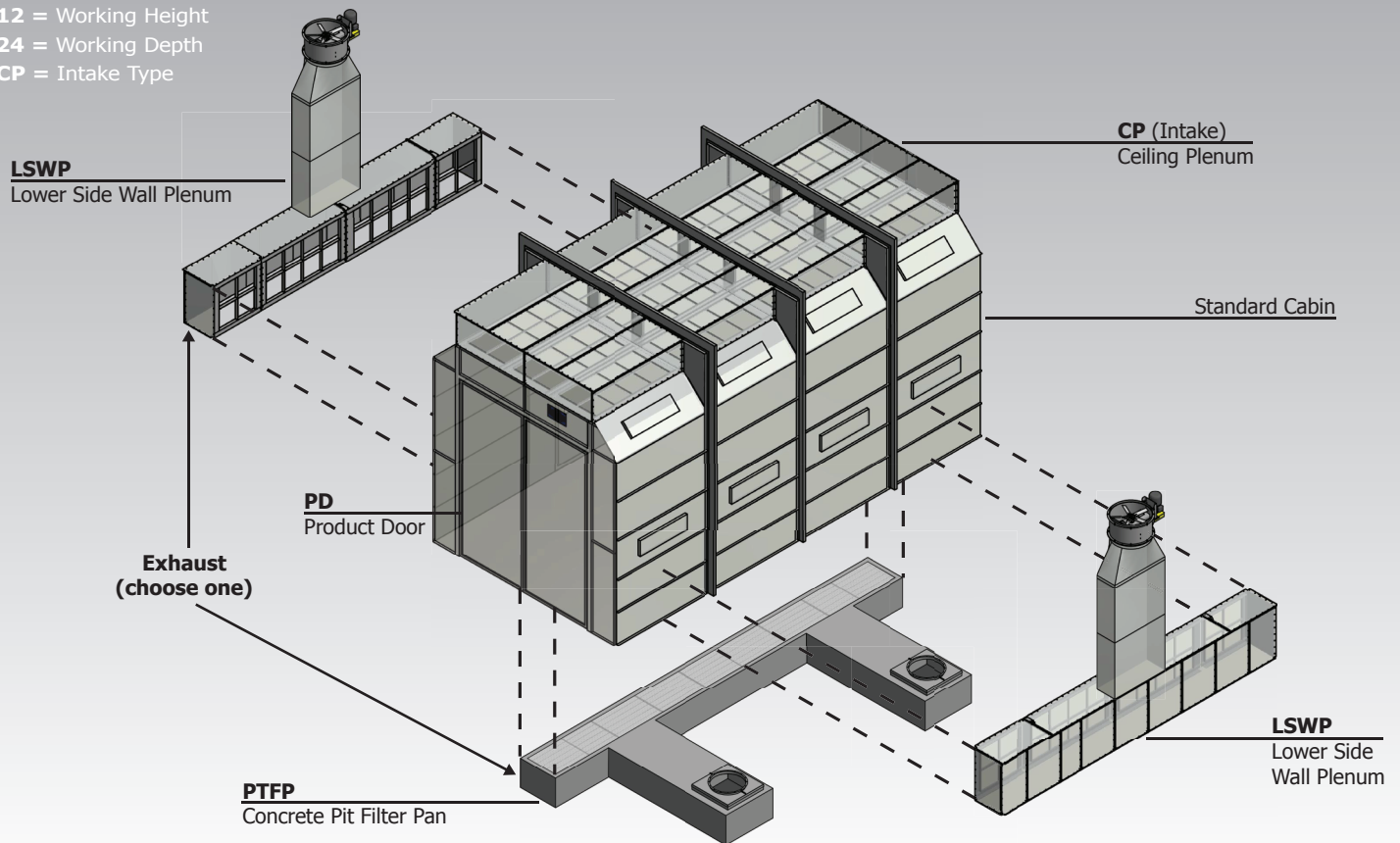
LSWP = Exhaust Type

14 = Working Width

12 = Working Height

24 = Working Depth

CP = Intake Type



**NOTE:** Personnel doors are available on cabin sections. Product doors are available in Double Swing, Filtered, Bi-fold, Tri-fold, or Roll-up models.

Booth exhaust plenums and filters are designed for particulate removal only! Volatile organic compounds (V.O.C.) removal requires optional equipment.

Specifications and designs are subject to change, and substitutions without notice are at the manufacturer's sole discretion. Customer is responsible for determining the suitability of the equipment for its intended use. Additional equipment or modifications may be required to meet local building and process-specific regulatory codes and are the responsibility of the Customer.

**Rohner**

[www.rohner-usa.com](http://www.rohner-usa.com)  
888.885.7641