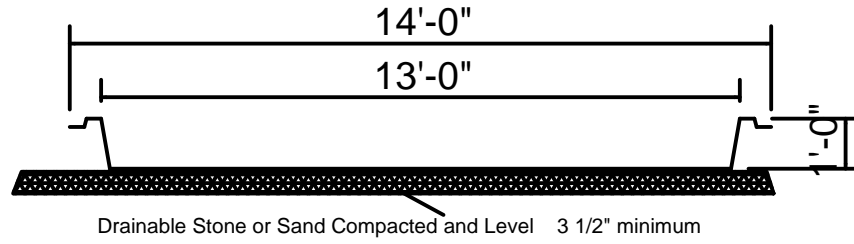
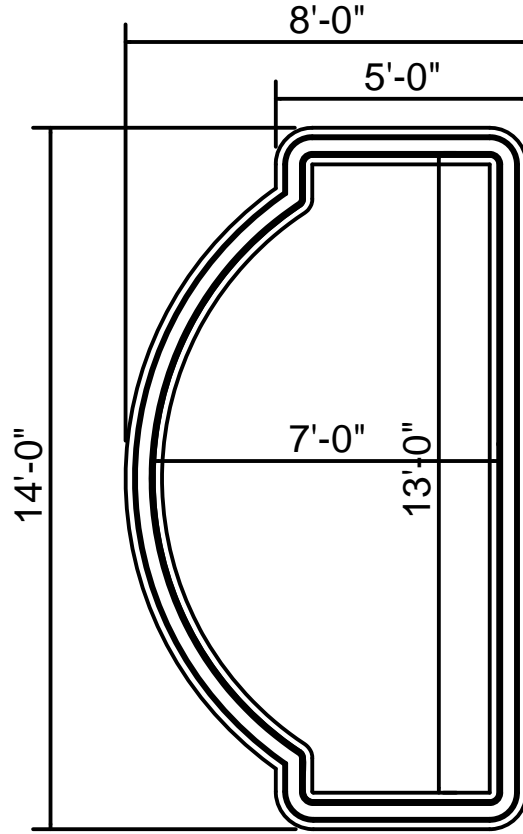


# THURSDAY POOLS®

## ATLANTIS WET DECK



(Add approx 1/4" for fiberglass floor thickness)

To be filled out by  
Thursday Pools LLC

Date: \_\_\_\_\_

Job No. \_\_\_\_\_

File No. \_\_\_\_\_

To be filled out by  
Pool Dealer

POOL NAME: **Wet Deck 146**

OWNER: \_\_\_\_\_

ADDRESS: \_\_\_\_\_

POOL DEALER: \_\_\_\_\_

**THURSDAY POOLS LLC**  
 your weekend starts early with us . . .  
 848 Commerce Park  
 Fortville, Indiana 48940  
 Note: for technical help please call Thursday Pools LLC at  
 Toll Free (877) 939-POOL (7665)  
 Local (317) 973-9630

**CONTROL**

Designed By: \_\_\_\_\_  
 D.C.

Created By: \_\_\_\_\_  
 TP

Checked By: \_\_\_\_\_  
 TP

**SPECIFICATIONS:**  
 volume: 270 gallons estimate  
 Weight: 325 lbs estimate  
 Area: 80 sq. ft. estimate  
 Perimeter: 39' estimate

**NON DIVING POOL**  
**SCALE:**

Sheet No.  
**D8**  
 Revision No. 01