

# WALKER MOWERS™

## OPERATOR'S MANUAL

Safety, Assembly, Operating, and Maintenance Instructions

**Model MBK23**



**Please Read and Save These Instructions**

For Safety, Read All Safety and Operation  
Instructions Prior to Operating Machine

Beginning S/N: 116942  
Effective Date: 04-20-12  
P/N 4000-5



## Foreword

**Thank you.** . .for purchasing a Walker mower. Every effort has been made to provide you with the most reliable mower on the market, and we are sure you will be among our many satisfied customers. If for any reason this product does not perform to your expectations, please contact your local dealer. Every customer is important to us. Your satisfaction is our goal.

**Please.** . .read this manual thoroughly! This manual is to be used in conjunction with the engine manufacturer's manual for the specific engine on the mower model you have purchased. Before you operate your new mower, please read this entire manual. Some of the information is crucial for proper operation and maintenance of this mower - it will help protect your investment and ensure that the mower performs to your satisfaction. Some of the information is important to your safety, and must be read and understood to help prevent possible injury to the operator or others. If anything in this manual is confusing or hard to understand, please contact your local authorized dealer or call our service department, at (970) 221-5614, for clarification before operating or servicing this mower.

This manual covers Model MBK23 with the Kohler Command Pro ECH680 (23.0 HP) Electronic Fuel Injection (EFI) gasoline engine.

**All shields and guards must be in place for the proper and safe operation of this machine.** Where they are shown removed in this manual, it is for illustration purposes only. **Do not operate this machine unless all shields and guards are in place.**

Specifications given are based on the latest information available at the time this manual was produced for a tractor with standard equipment. Optional equipment is available and may affect the standard specifications listed.

Walker Mfg. Co. is continually striving to improve the design and performance of its products. We reserve the right to make changes in specifications and design without thereby incurring any obligation relative to previously manufactured products.

Sincerely,  
WALKER MANUFACTURING COMPANY

Bob Walker, President

# Table of Contents

|  |    |
|--|----|
| <b>General Information</b>                       | 1  |
| HIGHLIGHTED INFORMATION                          | 1  |
| GLOSSARY   | 1  |
| IDENTIFYING NUMBER LOCATIONS                     | 1  |
| ENGINE SERIAL NUMBER LOCATION                    | 2  |
| SERVICING OF ENGINE AND<br>DRIVETRAIN COMPONENTS | 2  |
| <b>Specifications</b>                            | 3  |
| ENGINE   | 3  |
| ELECTRICAL SYSTEM                                | 3  |
| TRANSMISSION                                     | 3  |
| BLADE DRIVE                                      | 4  |
| TIRE SIZE  | 4  |
| TIRE PRESSURE                                    | 4  |
| DRIVE BELTS                                      | 4  |
| SEAT   | 4  |
| FRAME/BODY CONSTRUCTION                          | 4  |
| DIMENSIONS                                       | 5  |
| DECK CHART                                       | 6  |
| <b>Component Identification</b>                  | 7  |
| <b>Safety Instructions</b>                       | 10 |
| BEFORE OPERATING                                 | 10 |
| OPERATING  | 12 |
| MAINTENANCE                                      | 14 |
| SAFETY, CONTROL, AND<br>INSTRUCTION DECALS       | 15 |
| <b>Assembly Instructions</b>                     | 18 |
| SETUP INSTRUCTIONS                               | 18 |
| <b>Battery Service</b>                           | 18 |
| <i>Wet Battery Service</i>                       | 18 |
| <i>Dry Battery Service</i>                       | 18 |
| <i>Battery Charging</i>                          | 19 |
| <b>Mower Deck Assembly</b>                       | 19 |
| <i>Deck Caster Wheels Installation</i>           | 19 |
| <i>Deck Discharge Deflector</i>                  |    |
| <i>Shield Installation</i>                       | 19 |
| <i>PTO Shaft Guard Installation</i>              | 20 |
| <i>Tilt-Up Roller Wheel Installation</i>         | 20 |
| <b>Mower Deck Installation on Tractor</b>        | 20 |
| <i>Deck Installation</i>                         | 20 |
| <i>Deck Leveling</i>                             | 22 |
| PREOPERATING CHECKLIST                           | 23 |

|   |    |
|---|----|
| <b>Operating Instructions</b>                           | 26 |
| CONTROL IDENTIFICATION,<br>LOCATION, AND FUNCTION       | 26 |
| Ignition Switch   | 26 |
| Engine Throttle   | 27 |
| Forward Speed Control (FSC)                             | 27 |
| Blade Clutch (PTO)                                      | 27 |
| Steering Levers   | 27 |
| Oil Pressure Warning Horn                               | 27 |
| Parking Brake   | 28 |
| Transaxle Lockout Rods                                  | 28 |
| Engine Service Light                                    | 28 |
| Circuit Breaker   | 28 |
| Body Latch  | 29 |
| Hourmeter   | 29 |
| STARTING THE ENGINE                                     | 31 |
| ADJUSTING GROUND<br>SPEED AND STEERING                  | 31 |
| ENGAGING THE BLADE DRIVE                                | 33 |
| STOPPING THE MACHINE                                    | 34 |
| ADJUSTING CUTTING HEIGHT                                | 34 |
| TRANSAXLE LOCKOUTS                                      | 35 |
| RECOMMENDATIONS FOR MOWING                              | 36 |
| RECOMMENDATIONS FOR TILT-UP DECK<br>OPERATION/TRANSPORT | 37 |
| <b>Maintenance Instructions</b>                         | 38 |
| MAINTENANCE SCHEDULE CHART                              | 38 |
| IMPORTANT TIPS FOR CARE OF THE<br>KOHLER ENGINE         | 39 |
| Fuel System   | 39 |
| Starting/Stopping                                       | 39 |
| Cooling System  | 39 |
| Air Cleaner System                                      | 39 |
| Oil   | 39 |
| LUBRICATION   | 40 |
| Engine Oil  | 40 |
| <i>Engine Break-In Oil</i>                              | 40 |
| <i>Checking Engine Crankcase Oil Level</i>              | 40 |
| <i>Changing Engine Crankcase Oil/Oil Filter</i>         | 40 |
| Mower Deck Gearbox Lubrication                          | 42 |
| Transaxle Oil and Filter Change                         | 42 |
| Grease Fitting and Oil Point Lubrication                | 43 |
| Mower Deck Spindle Lubrication                          | 46 |
| Transaxle Lubrication                                   | 46 |

# Table of Contents

|  |    |
|--|----|
| <b>CLEANING</b>                            | 46 |
| <b>Engine Air Cooling System</b>           | 46 |
| <i>Cylinder Head Cooling Fins</i>          | 47 |
| <b>Engine Air Cleaner System</b>           | 48 |
| <i>Cummins/Fleetguard OptiAir™</i>         |    |
| <i>Air Cleaner</i>                         | 48 |
| <b>Grass Buildup in Mower Housing</b>      | 50 |
| <b>Transaxle Housing</b>                   | 51 |
| <b>CHECKING/SERVICING</b>                  | 52 |
| <b>Security of Air Cleaner System</b>      | 52 |
| <b>Battery</b>                             | 52 |
| <i>Electrolyte Level</i>                   | 52 |
| <i>Cleaning the Terminals</i>              | 53 |
| <i>Charging the Battery</i>                | 53 |
| <b>Tire Pressure</b>                       | 53 |
| <b>Wheel Nut Torque</b>                    | 53 |
| <b>Sharpen Mower Blades</b>                | 53 |
| <b>Drive Belts</b>                         | 54 |
| <b>Mower Deck Gearbox Oil Seals</b>        | 54 |
| <b>Spark Plugs</b>                         | 55 |
| <b>Ignition Wires</b>                      | 55 |
| <b>Fuel Lines and Clamps</b>               | 55 |
| <b>Blade Brake Action</b>                  | 55 |
| <b>PTO U-Joints</b>                        | 55 |
| <b>Engine Starter</b>                      | 55 |
| <b>Safety Switch System</b>                | 55 |
| <b>Forward Speed Control Friction Lock</b> | 56 |
| <b>REPLACING/REPAIRING</b>                 | 56 |
| <b>Drive Belts</b>                         | 56 |
| <i>Engine/PTO Belt</i>                     | 57 |
| <i>Ground Drive Belt</i>                   | 58 |
| <b>Fuel Filter</b>                         | 59 |
| <b>Blade Overload Shear Bolts</b>          | 60 |
| <b>PTO Shear Pin</b>                       | 60 |
| <b>Mower Blades</b>                        | 61 |

|   |    |
|---|----|
| <b>ADJUSTMENTS</b>                            | 62 |
| <b>Transmission Control</b>                   | 62 |
| <i>Steering Lever Position Adjustment</i>     | 62 |
| <i>Steering Handles Adjustment</i>            | 63 |
| <i>Neutral Position Adjustment</i>            | 63 |
| <i>Full Forward Speed Adjustment</i>          | 65 |
| <i>Straight Tracking Adjustment</i>           | 65 |
| <i>FSC Neutral Switch Adjustment</i>          | 65 |
| <i>Forward Speed Control</i>                  |    |
| <i>Friction Adjustment</i>                    | 66 |
| <b>Blade Clutch (PTO)</b>                     | 67 |
| <i>Clutch Engagement/Belt Tension</i>         | 67 |
| <i>Clutch Disengagement/Brake Action</i>      | 68 |
| <i>Idler Pulley Maximum Travel Adjustment</i> | 68 |
| <i>Blade Brake Band Adjustment</i>            | 69 |
| <b>Tilt-Up Deck Adjustable Stop</b>           | 69 |
| <b>Operator's Notes</b>                       | 70 |
| <b>Warranty</b>                               | 71 |



# General Information

## HIGHLIGHTED INFORMATION

Walker Manufacturing recommends that any service requiring special training or tools be performed by an authorized Walker Mower dealer. There are several general practices to be aware of in the area of safety. Most accidents associated with the operation or maintenance of a Walker Mower are caused by disregarding basic safety precautions or specific warnings. Such accidents, in most cases, can be prevented by being aware of the dangers present.

Information of special importance has been highlighted in bold type in this manual. Refer to **Safety Instructions** for the meanings of **DANGER, WARNING, CAUTION, IMPORTANT, and NOTE.**

## GLOSSARY

There are many terms that are either unique to this equipment or that are used as acronyms. The following terms and their definitions will help while using this manual:

- **DECK** is the mowing attachment mounted on the front of the tractor which includes the carrier frame, deck housing, belt or gear drive components, and cutter blades.
- **ELECTRONIC CONTROL UNIT (ECU)** controls engine functions such as spark timing, fuel/air ratio, etc.
- **FORWARD SPEED CONTROL (FSC)** controls the maximum forward speed of the tractor; functioning as a cruise control.
- **GROUND DRIVE** refers to the dual transaxles which drive the main wheels.
- **LEFT HAND (LH)** refers to the left-hand side of the tractor when the operator is seated facing forward in the tractor seat.
- **POWER TAKE-OFF (PTO)** transmits engine power to run the cutter blades.
- **RIGHT HAND (RH)** refers to the right-hand side of the tractor when the operator is seated facing forward in the tractor seat.
- **SIDE DISCHARGE (SD)** discharges mowed material from the right side of the mower deck.
- **STEERING LEVERS** steer the tractor by controlling the two transaxles.

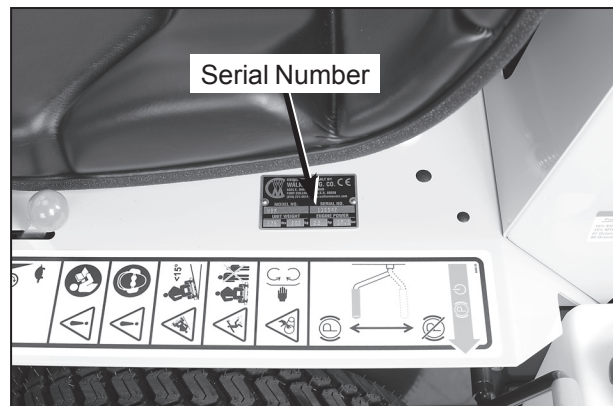
- **TRACTOR** is the prime mover, including the engine, drive train, operator seat, and controls to operate the mower.
- **TRANSAXLE** transmits and controls power from the ground drive belt to the main drive wheel.
- **TRANSAXLE LOCKOUT RODS** release the transaxles to permit freewheeling the tractor.

## IDENTIFYING NUMBER LOCATIONS

The tractor serial number plate is affixed to the tractor body just below the left rear corner of the seat. The mower deck serial number plate is affixed alongside the angle iron framing on the LH side of the LH mower blade drive. Model and serial numbers are helpful when obtaining replacement parts and maintenance assistance. For ready reference, please record these numbers in the space provided.

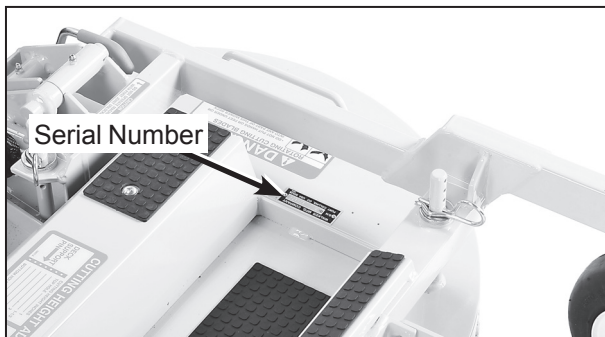
|                    |       |
|--------------------|-------|
| Tractor Model No.  | _____ |
| Tractor Serial No. | _____ |
| Deck Serial No.    | _____ |
| Engine Model No.   | _____ |
| Engine Serial No.  | _____ |
| Date of Purchase   | _____ |

Fill In By Purchaser



Tractor Serial Number Location

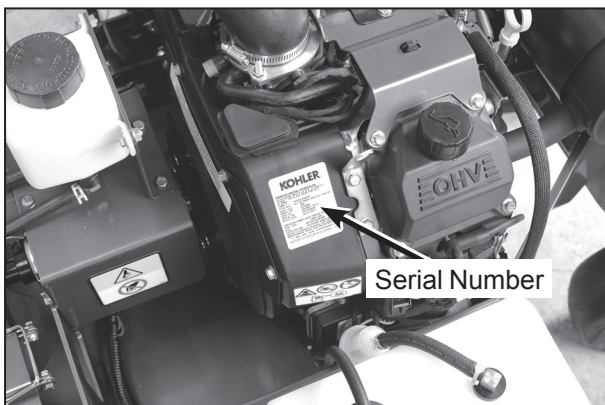
# General Information



**Mower Deck Serial Number Location**

## ENGINE SERIAL NUMBER LOCATION

Refer to the engine manual that accompanies this manual or the photo below for the location of the engine serial number.



**Engine Serial Number Location**

## SERVICING OF ENGINE AND DRIVETRAIN COMPONENTS

The detailed servicing and repair of the engine, transaxle, and gearboxes are not covered in this manual. Only routine maintenance and general service instructions are provided. For the service of these components during the limited warranty period, it is important to find a local, authorized servicing agent of the component manufacturer. **Any unauthorized work done** on these components during the warranty period **may void the warranty**. If you have any difficulty finding an authorized outlet or obtaining warranty service, please contact our Service Department for assistance:

### Walker Manufacturing Company

5925 E. Harmony Road  
Fort Collins, CO 80528  
1-970-221-5614

Service manuals are available for each of these components from their respective manufacturers as follows:

Kohler Engine

### Kohler Company

Kohler, WI 53044  
800-544-2444  
[www.kohlerengines.com](http://www.kohlerengines.com)

Transaxle

### Hydro-Gear

1411 South Hamilton St.  
Sullivan, IL 61951

Gearboxes (Deck)

### Tecumseh Power Co.

1555 S. Jackson Street  
Salem, IN 47167  
812-883-3575

# Specifications

| MODEL                     | MBK23   |
|---------------------------|---|
| <b>ENGINE</b>             |   |
| Manufacturer/Model        | Kohler Command Pro ECH680, 2 Cyl. (Air-Cooled), Electronic Fuel Injection (EFI)                                       |
| Displacement cu. in. (cc) | 42 (694)  |
| Max. Power HP (kW)        | 23.0 (17.2) @ 3600 RPM  |
| Governed RPM              | 3600  |
| Max. Torque lb·ft (N·m)   | 36.1 (48.9)   |
| Idle RPM                  | 1200 ± 75   |
| Spark Plug Type           | Champion® RC12YC  |
| Spark Plug Gap            | .030 in. (0.75 mm)  |
| Crankcase Capacity        | 2 qts (1.9 liters)  |
| Crankcase Lubricant       | API SG or SH Grade Oil Only with 10W-30 Viscosity above 0° F (-18° C), or 5W-20 or 5W-30 Viscosity below 32° F (0° C) |
| Oil Filter                | Kohler P/N 12-050-01  |
| Fuel Tank Capacity        | 4.7 Gallons (17.79 liters)  |
| Fuel                      | Automotive Grade Unleaded Gasoline (87 Octane or Greater, 10% Ethanol Maximum)  |
| Cooling System            | Air Cooled  |
| Air Cleaner               | Remote mounted Cummins/Fleetguard OptiAir™ (Walker P/N 2090-1 Primary/2090-3 Safety Filter)                           |
| <b>ELECTRICAL SYSTEM</b>  |   |
| Battery                   | 12 Volt, 300 CCA  |
| Charging System           | Flywheel Alternator   |
| Charging Output           | 15 Amp DC (Regulated)   |
| System Polarity           | Negative Ground   |
| Ignition                  | Electronic Capacitive Discharge   |
| Starter                   | 12 Volt Electric, Key Operated, Solenoid Shift  |
| Interlock Switches        | Ignition Lockout by Seat Switch, Transmission Neutral and Blade Clutch  |
| Circuit Breaker           | Manual Reset (15A)  |
| <b>TRANSMISSION</b>       |   |
| Manufacturer/Model        | Dual, Independent Hydro-Gear® ZT3100 Integrated Transaxles  |
| Steering                  | Hand Lever Control / Individual Wheel   |
| Forward Speed Control     | Precision Friction Lock Lever, Cruise Control, with Neutral-Park Position   |
| Service Brake             | Dynamic Braking Through Transaxles  |
| Parking Brake             | Internal Mechanical Cog Lock for each Transaxle (Single Lever Control)  |

# Specifications

|                                 |  |
|---------------------------------|--|
| <b>MODEL</b>                    | <b>MBK23</b>   |
| <b>TRANSMISSION (continued)</b> |  |
| Neutral                         | Transmission Release by Manual Dump Valve  |
| Final Drive                     | Transaxle Direct to Drive Wheel  |
| <b>Transmission Fluid</b>       |  |
| Factory Service                 | 20W-50 Multi-Viscosity Motor Oil (Minimum SL Grade Oil)  |
| Transmission Capacity           | 79 fl oz (2336 ml)   |
| Transmission Cooling            | Cooling Fan Mounted on Drive Pulley  |
| Oil Filter                      | Hydro-Gear® P/N 52114 (Walker P/N 2026-6)  |
| <b>Ground Travel Speed</b>      |  |
| Forward m.p.h. (km/h)           | 0-8 (0-13) Infinitely Variable   |
| Reverse m.p.h. (km/h)           | 0-5 (0-8) Infinitely Variable  |
| <b>BLADE DRIVE</b>              |  |
| PTO Shaft                       | Quick Disconnect Splined Shaft with Two (2) High-Speed U-Joints  |
| Blade Drive Clutch and Brake    | Manual Belt Tightener Clutch and Band Brake<br>[Stops Blades within Five (5) Seconds of Disengagement] |
| <b>TIRE SIZE</b>                |  |
| Deck Caster Wheel               | 2.80/2.50-4 Pneumatic (4-Ply)  |
| Deck Caster Wheel (Optional)    | 8 x 3.00-4 Foamed Rubber   |
| Drive                           | 18 x 8.50-10 (4-Ply Low-Profile)   |
| Rear                            | 11 x 4.00-5  |
| <b>TIRE PRESSURE</b>            |  |
| Deck Caster Wheel               | 20 PSI (137 kPa)   |
| Drive                           | 15 PSI (103 kPa)   |
| Rear                            | 20 PSI (137 kPa)   |
| <b>DRIVE BELTS</b>              |  |
| Engine PTO                      | Walker P/N 4230-1  |
| Ground Drive                    | Walker P/N 4248  |
| <b>SEAT</b>                     | Contour-Molded, with Nylon Backed Vinyl Cover and Integral Foam Cushion                                |
| <b>FRAME/BODY CONSTRUCTION</b>  |  |
| Frame/Body                      | 3/16 Plate Steel   |
| Deck                            | 11 Gauge Steel   |

# Specifications

| MODEL                                     | MBK23   |              |
|---|---|--------------|
| <b>DIMENSIONS</b>                         |   |              |
| <b>Length in. (cm)</b>                    |   |              |
| Tractor Only                              | 58-1/4 (148) Tail Wheels Forward - Muffler is Most Rear Point |              |
| Tractor Wheel Base                        | 40 (102)  |              |
| Tractor with Tilted Deck<br>(Approximate) | 72 (183)  |              |
| With DSD36                                | 85-1/2 (217)  |              |
| With DSD42                                | 90-1/4 (229)  |              |
| With DSD42BD                              | 94-3/4 (241)  |              |
| With DSD48                                | 90-1/2 (230)  |              |
| With DSD52                                | 97-1/4 (247)  |              |
| With DSD56                                | 90 (229)  |              |
| With DML36                                | 88 (223)  |              |
| With DML42A                               | 90-3/4 (230)  |              |
| With DML42B                               | 90-3/4 (230)  |              |
| With DML48                                | 90-3/4 (230)  |              |
| <b>Width in. (cm)</b>                     |   |              |
| Tractor Only                              | 38 (97)   |              |
| Tread Width                               | 29.75 (76)  |              |
|   | Side Discharge Deflector Shield                               |              |
|   | Lowered or N/A  | Raised       |
| With DSD36                                | 41-1/2 (105)  | 37-1/4 (95)  |
| With DSD42                                | 49-1/2 (126)  | 43 (109)     |
| With DSD42BD                              | 49-1/2 (126)  | 43 (109)     |
| With DSD48                                | 56 (142)  | 50-1/2 (128) |
| With DSD52                                | 63-1/2 (161)  | 56 (142)     |
| With DSD56                                | 64-1/2 (164)  | 59.5 (151)   |
| With DML36                                | 37 (94)   |              |
| With DML42A                               | 43 (109)  |              |
| With DML42B                               | 43 (109)  |              |
| With DML48                                | 49 (125)  |              |
| <b>Height in. (cm)</b>                    |   |              |
| Tractor                                   | 39-1/2 (100)  |              |
| <b>Weight lb (kg)</b>                     |   |              |
| Tractor Only                              | 594 (269) With PTO Quick Disconnect Coupling                  |              |
| With DSD36                                | 755 (342)   |              |
| With DSD42                                | 790 (358)   |              |
| With DSD42BD                              | 799 (362)   |              |
| With DSD48                                | 798 (362)   |              |
| With DSD52                                | 904 (410)   |              |

# Specifications

## MODEL MBK23

|             |           |
|-------------|-----------|
| With DSD56  | 857 (389) |
| With DML36  | 771 (350) |
| With DML42A | 798 (362) |
| With DML42B | 803 (364) |
| With DML48  | 800 (363) |

## SIDE DISCHARGE DECKS

| MODEL                                 | DSD36  | DSD42           | DSD42BD         | DSD48           | DSD52           | DSD56           |
|---------------------------------------|--|-----------------|-----------------|-----------------|-----------------|-----------------|
| Cutting Width in. (cm)                | 36 (91)  | 42 (107)        |                 | 48 (122)        | 52 (132)        | 56 (142)        |
| Drive Type                            | Gear   |                 | Belt            |                 | Gear            |                 |
| Cutting Height in. (cm)               | 1 (3) to 4 (10) at 1/2 (1) Increments, 7 Positions |                 |                 |                 |                 |                 |
| Blade Length in. (cm)                 | 20 (51)  | 22 (56)         | 21-3/4 (55)     | 25 (64)         | 18-1/2 (47)     | 20 (51)         |
| Number of Blades                      | 2  |                 |                 |                 | 3               |                 |
| Deck Suspension                       | Torsion-Flex Frame with Counterweight Springs      |                 |                 |                 |                 |                 |
| Max Blade RPM                         | 2900   | 2900            | 2900            | 2900            | 3790            | 3480            |
| Max Blade Tip Speed<br>ft/min (m/min) | 15180<br>(4630)                                    | 16700<br>(5090) | 16510<br>(5030) | 18980<br>(5790) | 18340<br>(5590) | 18220<br>(5550) |

## MULCHING DECKS

| MODEL                                 | DML36  | DML42A       | DML42B        | DML48        |
|---------------------------------------|--|--------------|---------------|--------------|
| Cutting Width in. (cm)                | 36 (91)  | 42 (107)     |               | 48 (122)     |
| Drive Type                            | Gear   |              |               |              |
| Cutting Height in. (cm)               | 1 (3) to 4 (10) in 1/2 (1) Increments, 7 Positions |              |               |              |
| Blade Length in. (cm)                 | 19 (48)  | 22 (56)      | 21/22 (53/56) | 25 (64)      |
| Number of Blades                      | 2  |              | 4*            | 2            |
| Deck Suspension                       | Torsion-Flex Frame with Counterweight Springs      |              |               |              |
| Maximum Blade RPM                     | 3480   | 2900         | 2900          | 2900         |
| Max Blade Tip Speed<br>ft/min (m/min) | 17310 (5280)                                       | 16700 (5090) | 16700 (5090)  | 18980 (5790) |

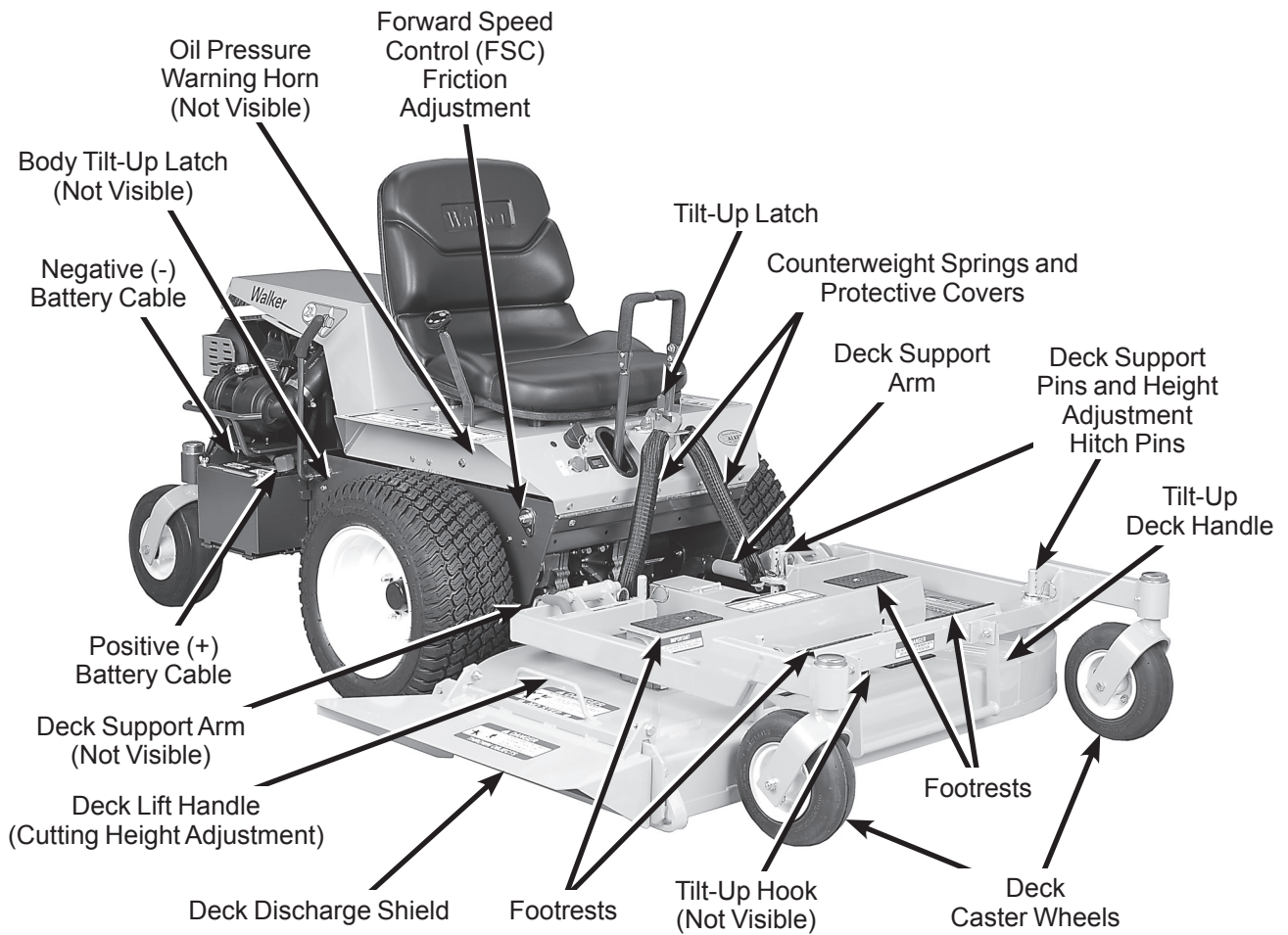
\* DML42B is a two spindle deck equipped with two pairs of 90 degree stacked blades

**NOTE:** The manufacturer reserves the right to make changes in specifications shown herein at any time without notice or obligation. The specifications listed are for a standard configuration tractor, and may change with the addition of optional equipment.



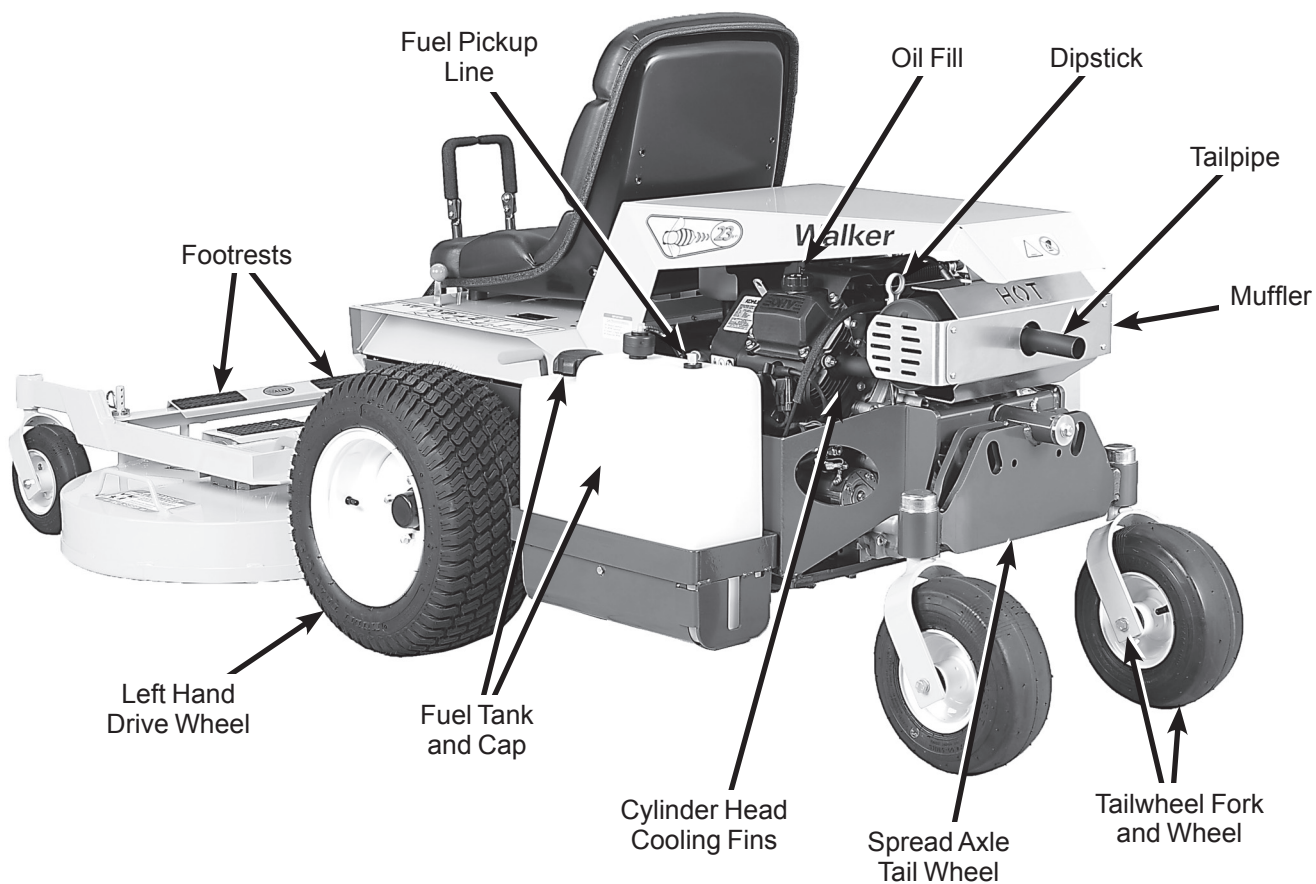
# Component Identification

**NOTE:** Control Identification shown in **Operating Instructions** section.



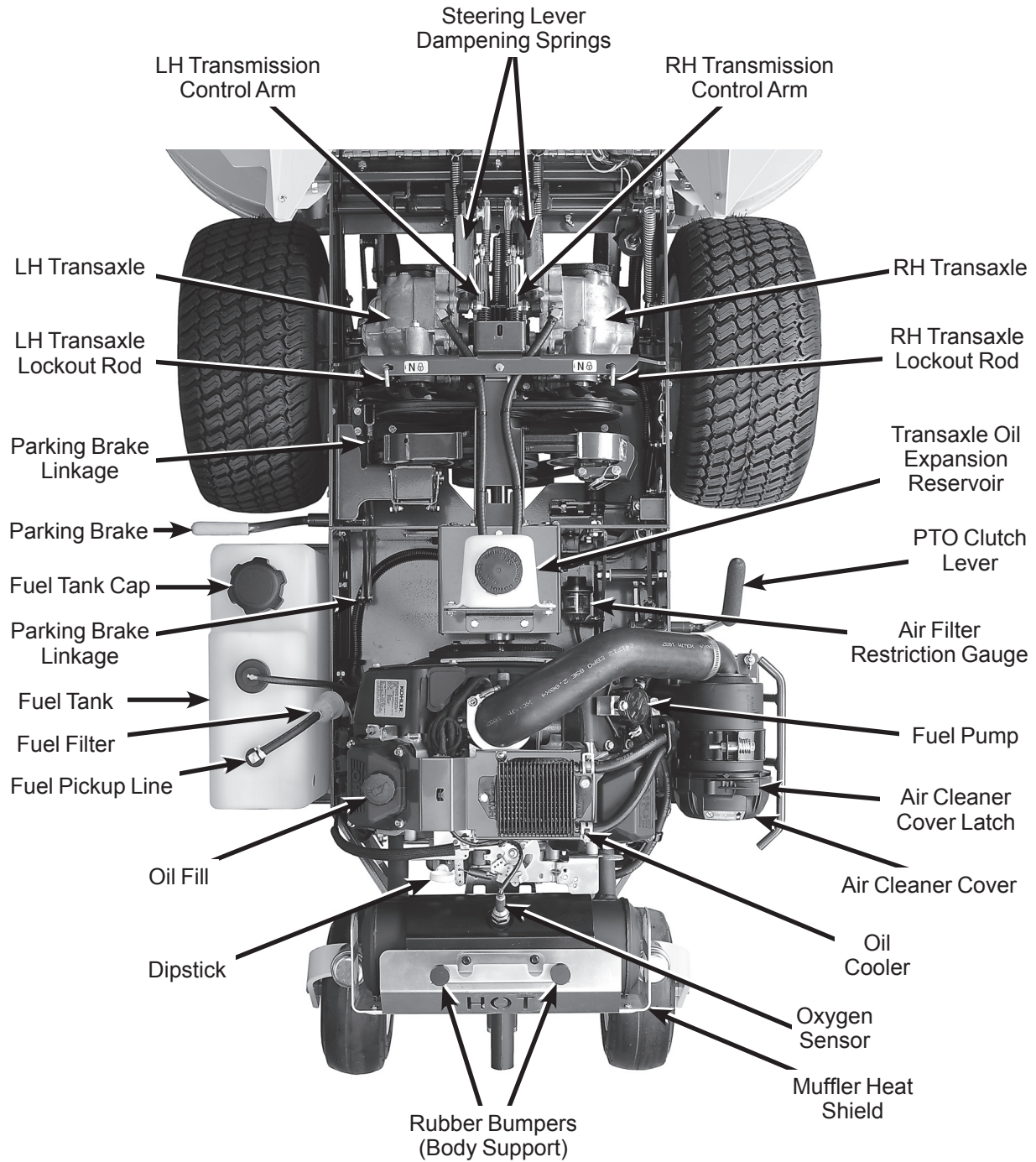
**Front View and Right Side View**

# Component Identification



Rear View and Left Side View


# Component Identification



Top View (Engine Compartment)

# Safety Instructions - Before Operating

Pay particular attention to any information labeled **DANGER, WARNING, CAUTION, IMPORTANT,** and **NOTE** in this manual.

When you see the Safety Alert Symbol (  ), read, understand, and follow the instructions. Failure to comply with safety instructions may result in personal injury.

The seriousness or degree of importance of each type of information is defined as follows:

## **DANGER**

An **IMMEDIATE** hazard that **WILL** result in **severe personal injury or DEATH**, if **warning is ignored and proper safety precautions are not taken**.

## **WARNING**

A **POTENTIAL** hazard that **COULD** result in **severe personal injury or DEATH**, if **warning is ignored and proper safety precautions are not taken**.

## **CAUTION**

Possible hazards or unsafe practices that **MAY** result in **MODERATE** personal injury or property damage, or machine damage, if **warning is ignored and proper safety precautions are not taken**.

**IMPORTANT:** Identifies mechanical information demanding special attention, since it deals with the possibility of damaging a part or parts of the machine.

**NOTE:** Identifies information worthy of special attention.

Walker Manufacturing cannot predict every potentially dangerous situation. Therefore, items labeled as such in this manual do not cover all conceivable situations. Any person using procedures, tools, or control techniques not recommended by Walker Manufacturing must take full responsibility for safety.

The Walker Rider Lawnmower has been designed with many safety features to protect the operator from personal harm or injury. However, it is necessary for the operator to use safe operating procedures at all times. **Failure to follow safety instructions contained in this manual may result in personal injury or damage to equipment or property.**

If you have any questions concerning setup, operation, maintenance, or safety, please contact your authorized Walker Mower dealer or call Walker Manufacturing Company at (970) 221-5614.

## **BEFORE OPERATING**

1. **Read and understand the contents of this Operator's Manual before starting and operating the machine.** Become thoroughly familiar with all machine controls and how to stop the machine and disengage the controls quickly. Replacement Operator's Manuals are available by sending the Model and Serial Number to:

**Walker Manufacturing Company**  
5925 East Harmony Road  
Fort Collins, CO 80528

2. **Never allow children to operate rider mower.** Do not allow adults to operate without proper instruction.
3. **Clear the area to be mowed of any foreign objects** which may be picked up and thrown by cutter blades. Pick up all sticks, stones, wire, and any other debris.
4. Keep everyone, especially children and pets, a safe distance away from the area being mowed. **Do not mow with bystanders in the area.**
5. Do not operate the machine barefoot or wearing sandals, sneakers, tennis shoes, or similar lightweight footwear. **Wear substantial protective footwear.**

## Safety Instructions - Before Operating

6. Do not wear loose fitting clothing that could get caught in moving parts. Do not operate this machine while wearing shorts; **always wear adequate protective clothing**, including long pants. Wearing safety glasses, safety shoes, and a helmet is advisable and required by some local ordinances and insurance regulations.
7. Prolonged exposure to loud noise can cause impairment or loss of hearing. **Operator hearing protection is recommended.** Wear a suitable hearing protective device, such as ear-muffs or earplugs.
8. **Keep all protective shields and safety devices in place.** If a protective shield, safety device, or decal is damaged, unusable, or missing, repair or replace it **before** operating the machine.
9. **Be sure interlock switches are functioning correctly**, so the engine cannot be started unless the Forward Speed Control lever is in the **NEUTRAL-PARK** position, and the PTO clutch is in the **DISENGAGED** position. Also, the engine should stop if the operator lifts off the seat with either the Forward Speed Control (FSC) out of the **NEUTRAL-PARK** position or the PTO clutch in the **ENGAGED** position.
10. **Handle gasoline with care.** Gasoline is highly flammable and its vapors are explosive:
  - a. Use an approved fuel container.
  - b. Never add fuel to a running engine or hot engine (allow hot engine to cool several minutes).
  - c. Keep matches, cigarettes, cigars, pipes, open flames, or sparks away from the fuel tank and fuel container.
  - d. Always fill the fuel tank outdoors using care. Fill to about one inch from the top of the tank. Use a funnel or spout to prevent spilling.
  - e. Replace the machine fuel cap and container cap securely and clean up any spilled fuel before starting the engine.
11. **Never attempt to make any adjustments while the engine is running**, except where specifically instructed to do so.
12. The electrical system battery contains sulfuric acid. Avoid any contact with skin, eyes, and clothing. Keep the battery and acid out of reach of children.



### WARNING

**The engine exhaust from this product contains chemicals known to the State of California to cause cancer, birth defects or other reproductive harm.**



# Safety Instructions - Operating

1. **Operate the mower only in daylight** or in good artificial light with good visibility of the area being mowed.
2. Sit on the seat when starting the engine and operating the machine. Keep feet on the deck footrests at all times when the tractor is moving and/or mower blades are operating. **Never operate the tractor without a deck or implement installed.**
3. For a beginning operator, **learn to steer (maneuver) the tractor with a slow engine speed before attempting any mowing operation.** Be aware that, with the front mounted mower configuration, the back of the tractor swings to the outside during turns.



## **DANGER**

**Do not mow around overhanging tree branches or bushes at the same height as the operator's torso and head where inadvertent contact may cause injury.**

4. Remember, for an emergency stop, the forward motion of the tractor can always be stopped by pulling the Forward Speed Control (FSC) into the **NEUTRAL-PARK** position.
5. In case the transmission drive belt breaks during operation, and if the machine is on a slope, the machine will freewheel down the slope. **To maintain control**, immediately (1) Release the steering levers and simultaneously (2) Move the FSC to the **NEUTRAL-PARK** position. When the machine is stopped or moving slowly, engage the parking brake.  
**NOTE:** This is exactly the same procedure used to normally stop and park the machine.
6. Disengage the blade clutch and put the FSC in the **NEUTRAL-PARK** position before starting the engine (an ignition interlock switch normally prevents starting of the machine if these controls are in the **OPERATING** position).

7. **Do not operate machine if the operator presence safety switch system is not working.** Verify proper operation by having the operator lift off the seat with the engine running and moving two controls, one at a time; (1) Move the FSC lever out of the **NEUTRAL-PARK** position, and (2) Engage the PTO Clutch. Moving either control should stop the engine immediately.
8. **Do not run the engine in a confined area without adequate ventilation.** Exhaust fumes are hazardous and can be deadly.
9. **Do not carry passengers** - maximum seating capacity is one (1) person.
10. Watch for holes, rocks, and roots in the terrain and for other hidden hazards. When mowing tall grass, mow higher than desired to expose any hidden obstacles. Then, clean the area and mow to the desired height.
11. **Avoid sudden starts or stops.** Before backing the machine up, look to the rear to be sure no one is behind the machine. Watch carefully for traffic when crossing or working near roadways.
12. Disengage the blade drive when transporting the machine across drives, sidewalks, etc. **Never raise the mower deck while blades are rotating.**



## **DANGER**

**Do not mow or drive the tractor within 5 feet (1.5 meters) of an embankment or retaining wall with drop off.**

13. **The maximum recommended side slope operating angle is 15 degrees or 26% grade.** When operating the machine on a slope, reduce speed and use caution to start, stop, and maneuver. To prevent tipping or loss of control of the machine, avoid sharp turns or sudden changes in direction.



## Safety Instructions - Operating

14. **Never adjust cutting height with the engine running.** Before adjusting cutting height or servicing, disengage the blade clutch (PTO), stop the engine, and remove the ignition key. Wait for all movement to stop before getting off the seat.

**NOTE:** The blade/PTO brake should normally stop drive line rotation within five (5) seconds of disengaging the PTO clutch.

15. For side discharge mower decks, **do not operate with the grass deflector shield removed.** Keep the deflector in the lowest possible position.

16. When using the tilt-up deck, **observe the following recommendations:**

- a. Do not move tractor with deck in tilt-up position.
- b. Never tilt body forward with deck in tilt-up position.

17. **In case of a clogged or plugged mower deck:**

- a. Disengage the blade clutch (PTO) and turn the engine off before leaving the seat.
- b. **LOOK** to make sure blade drive shaft movement has stopped before trying to unclog the system.
- c. Disconnect the spark plug wires.
- d. Never place hands under the deck - use a stick or similar tool to remove clogged material.

18. If the cutting blades strike a solid object or the machine begins to vibrate abnormally, **immediately disengage the blade clutch (PTO), stop the engine, and wait for all moving parts to stop.** To prevent accidental starting, disconnect the spark plug wires. Thoroughly inspect the mower and repair any damage before restarting the engine and operating the mower. Make sure cutter blades are in good condition and blade nuts are torqued to 60 lb·ft (81 N·m) for gear driven decks, and blade bolts torqued to 70 lb·ft (90 N·m) for belt driven decks.

19. **Do not touch the engine or muffler while the engine is running** or immediately after stopping the engine. These areas may be hot enough to cause serious burns.

20. When leaving the machine unattended, **disengage the blade clutch (PTO), stop the engine, and remove the key.**

## Safety Instructions - Maintenance

1. To prevent accidental starting of the engine when servicing or adjusting the machine, remove the key from the ignition switch and disconnect the spark plug wires.
2. **To reduce fire hazards**, keep the engine free of grass, leaves, excessive grease, and dirt.
3. Keep all nuts, bolts, and screws tight to ensure the machine is in a safe, working condition. Check the blade mounting nuts frequently, making sure they are tight.
4. **Perform only maintenance instructions described in this manual.** Unauthorized maintenance operations or machine modifications may result in unsafe operating conditions.
5. If the engine must be running to perform a maintenance adjustment, keep hands, feet, and clothing away from moving parts. **Do not wear jewelry or loose clothing.**
6. **Always use the proper engine service manual when working on the engine.** Unauthorized maintenance operations or modifications to the engine may result in unsafe operating conditions.
7. Altering the equipment or engine in any manner which adversely affects its operation, performance, durability, or use will **VOID the warranty** and may cause hazardous conditions.
8. Never attempt to disconnect any safety devices or defeat the purpose of these safety devices.
9. Do not change the engine governor settings or overspeed the engine. The governor has been factory-set for maximum-safe engine operating speed.
10. **Use genuine factory replacement parts.** Substitute parts may result in product malfunction and possible injury to the operator and/or others.
11. **Use care when charging the battery** or performing maintenance on the battery and electrical system:
  - a. Make sure the battery charger is unplugged before connecting or disconnecting cables to the battery.
  - b. Charge the battery in a well-ventilated space, so gases produced while charging can dissipate. Make sure the battery vents in the caps are open.
  - c. Keep sparks, flames, and smoking materials away from the battery at all times. To avoid sparks, use care when removing battery cables from posts.
  - d. Disconnect both battery cables before unplugging any wiring connectors or making repairs on the electrical system.

**IMPORTANT:** Keep all applicable manuals immediately accessible to anyone who may operate or service this machine.

# Safety Instructions

## SAFETY, CONTROL, AND INSTRUCTION DECALS

Safety, Control, and Instruction Decals are installed on the machine; if any are missing, illegible, or damaged, a replacement should be ordered and installed before putting the machine into operation. The Decal Part Number is listed below and in the Parts Manual.



**Location: Each End of Mower Deck**  
**Part Number: 8600-8**

- Warning – rotating mower blades are a cutting/dismemberment hazard to hands and feet.
  - Keep all body parts away from rotating mower blades.
  - Do not step on end of deck.
- Warning – thrown object hazard
  - Keep bystanders away from the machine when operating.
  - Clear lawn of debris before operating.
  - Keep any discharge deflector in place and in the lowest position.



**Location: Deck Carrier Frame**  
**Part Number: 8600-14**

- Warning – do not operate the machine with the deck tilted up.



**Location: Chassis Member Behind Transaxles**  
**Part Number: 9804-1**

- Neutral Lock
  - Lift and move into slot to unlock transmission and allow machine to freewheel.



**Location: Flex Coupler Guard in Front of Engine**  
**Part Number: 8600-2**

- Warning – entanglement and cutting/dismemberment hazards
  - Keep away from rotating shafts, belts, and other components.



**Location: Deck Carrier Frame**  
**Part Number: 8600-15**

- Warning – lock deck tilt-up hinge before operating the machine.



**Location: Deck Discharge Shield**  
**Part Number: 5848-2**

- Warning – thrown object hazard
  - Always keep the discharge shield in the lowest position when operating.
  - Do not remove the discharge shield.

# Safety Instructions

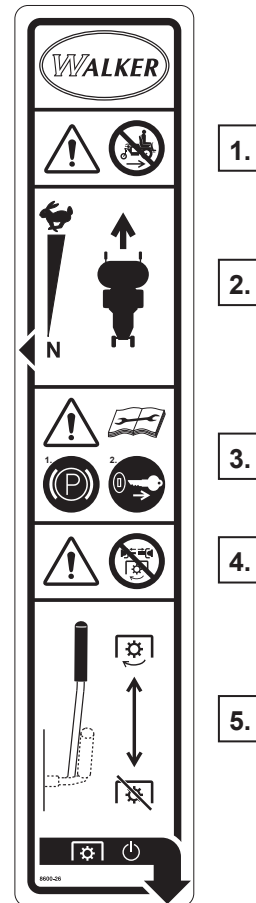
## SAFETY, CONTROL, AND INSTRUCTION DECALS

Safety, Control, and Instruction Decals are installed on the machine; if any are missing, illegible, or damaged, a replacement should be ordered and installed before putting the machine into operation. The Decal Part Number is listed below and in the Parts Manual.



**Location: LH Fender**  
**Part Number: 8600-25**

1. Throttle
2. Warning – read Operator’s Manual before operating the machine.
3. Warning – wear eye and ear protection when operating the machine.
4. Warning – roll-over hazard
  - Do not operate on slopes greater than 15 degrees.
5. Warning – thrown object hazard
  - Keep bystanders away from the machine when operating.
6. Warning – entanglement hazard
  - Keep all guards in place while engine is running.
7. Parking brake
  - Move lever forward to engage Parking Brake; back to disengage.



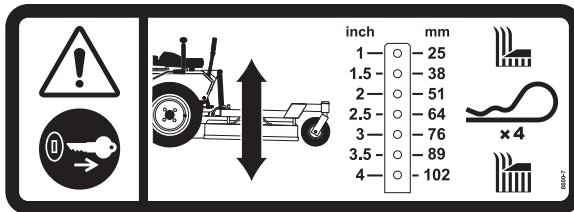
**Location: RH Fender**  
**Part Number: 8600-26**

1. Warning – do not operate the machine without a deck or other implement attached.
2. Forward Speed Control
  - Move lever forward to increase speed; back to stop.
3. Warning – read Operator’s Manual before servicing or performing maintenance.
  - Engage parking brake.
  - Remove ignition key.
4. Warning – do not engage PTO clutch with PTO shaft disconnected.
5. PTO Clutch Lever
  - Move lever forward to engage PTO clutch; back to disengage.

# Safety Instructions

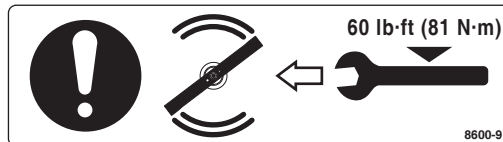
## SAFETY, CONTROL, AND INSTRUCTION DECALS

Safety, Control, and Instruction Decals are installed on the machine; if any are missing, illegible, or damaged, a replacement should be ordered and installed before putting the machine into operation. The Decal Part Number is listed below and in the Parts Manual.



**Location: Deck Gearbox Cover**  
**Part Number: 8600-7**

1. Warning - stop engine and remove ignition key before adjusting deck cutting height

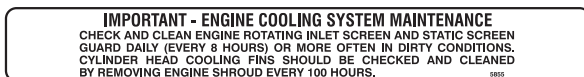


**Location: Deck Carrier Frame**  
**(Gear Drive Decks Only)**  
**Part Number: 8600-9**

1. Tighten blade nuts on gear driven decks to 60 lb·ft (81 N·m)



**Location: Battery Cover**  
**Part Number: 5844-2**

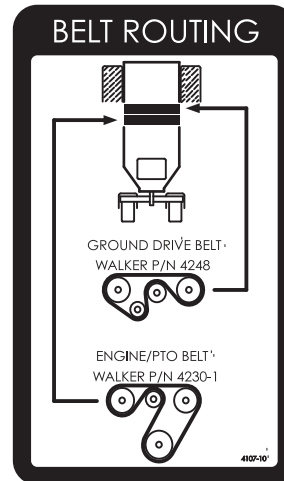


**Location: Engine Shroud**  
**Part Number: 5855**



**Location: Engine**  
**Part Number: 8600-12**

1. Warning – carbon monoxide (CO) poisoning hazard
  - CO emitted by a running engine can be deadly.
  - Do not operate indoors or in other enclosed areas.



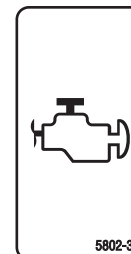
**Location: Rear Body**  
**Part Number: 4107-10**

1. Ground drive belt routing
2. Engine/PTO clutch belt routing



**Location: Rear Body Near Muffler**  
**Part Number: 8600-5**

1. Warning – hot surface, do not touch



**Location: Front Body**  
**Part Number: 5802-3**

1. Engine Service Indicator Light
  - If illuminated during operation contact an authorized Kohler Service Dealer as soon as possible.

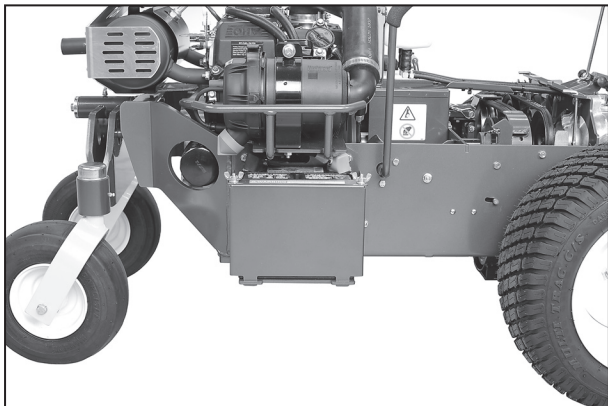
# Assembly Instructions

## SETUP INSTRUCTIONS

Walker Mowers are shipped partially assembled to our distribution network, and are typically assembled by the selling dealer. For any additional assembly besides the following, contact your Walker dealer.

### Battery Service

Check the battery for electrolyte level and charge. The electrolyte level should be at the bottom of the vent wells [1/4 to 1/2 in. (6 to 13 mm) above plates]. If the specific gravity is less than 1.225, the battery needs charging. If the battery has been shipped dry, or is wet but needs service, refer to the following instructions.



**Battery Location**

**IMPORTANT:** Make sure battery is securely mounted in the frame. A loose battery may cause damage to the case resulting in acid leakage and severe damage to the machine. A hazard may be created by damage to critical working parts and safety systems.

### Wet Battery Service

If the battery has been shipped wet, but the electrolyte level is low or the battery needs to be charged then:

1. Fill each battery cell with drinking water to the bottom of the vent wells.
2. Charge battery. Refer to *Battery Charging* in this section.

### Dry Battery Service

 **DANGER**

Activating a battery can be dangerous. The battery should be taken to a reliable service station, battery store, or power equipment dealer where a trained technician can activate the battery safely. **DO NOT** attempt to activate the battery unless you are experienced in battery service work. The following activation and charging instructions are provided for use by a trained battery technician.

 **DANGER**

Battery electrolyte is a poisonous and corrosive sulfuric acid solution.

- Avoid spillage and contact with skin, eyes, and clothing - causes severe burns.
- To prevent accidents, wear safety goggles and rubber gloves when working with electrolyte.
- Neutralize acid spills with baking soda and water solution.

To fill (activate) battery with electrolyte (if battery has been shipped dry):

1. Remove the battery hold-down bar, disconnect the battery cables and lift the battery out of the tray.

**IMPORTANT:** Battery must be removed from the mower before filling with electrolyte.

**IMPORTANT:** Obtain and use only battery grade sulfuric acid electrolyte with a 1.265 specific gravity to activate the battery. **DO NOT** use water or any other liquid during initial activation.

2. Remove the filler caps and carefully fill each cell until the electrolyte is just above the plates.
3. After the battery is filled with electrolyte, replace the filler caps and charge the battery. Refer to *Battery Charging*.



# Assembly Instructions

## Battery Charging



**DANGER**

### BATTERIES PRODUCE EXPLOSIVE GASES

- Charge the battery in a well-ventilated area, so that gases produced while charging can dissipate.
- Keep sparks, flames, and smoking materials away from the battery at all times.
- Make sure the battery cap vents are open after the battery is filled with acid (check manifold vent on each cap).
- Make sure the battery charger is unplugged before connecting or disconnecting cables to the battery.

1. Charge the battery at 15 amps for 10 minutes. **DO NOT** exceed 20 amps maximum recommended charging rate. Charge until specific gravity is at least 1.250. Total charging time should not exceed one (1) hour.
2. After charging the battery, adjust the electrolyte level to the bottom of the vent wells [1/4 to 1/2 in. (6 to 13 mm) above the plates].

**IMPORTANT:** **DO NOT** overfill the battery. Electrolyte will overflow through the vented caps onto parts of the machine and **WILL** result in severe corrosion.

3. Install battery.

## Mower Deck Assembly

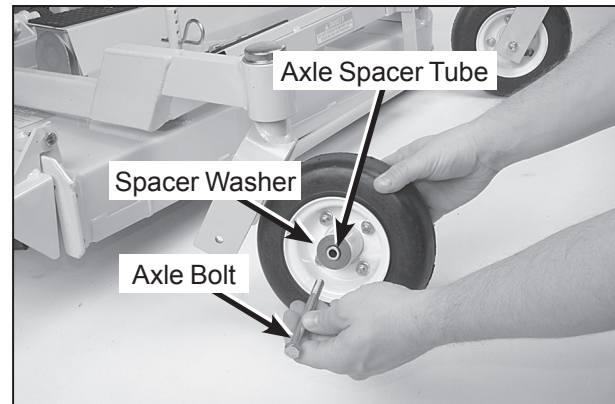
### Deck Caster Wheels Installation

1. Remove the bolt, nut, axle spacer tube, and spacer washers from each deck caster wheel fork.

**NOTE:** Spacer washers are used only when the optional semi-pneumatic deck wheels (8.25 x 2.75) are installed.

2. Fit the axle spacer tube through the wheel hub, position the spacer washer on each side of the hub (if used), and fit the assembly into the wheel fork.

3. Insert the 3/8-16 x 4-1/2 in. bolt through the wheel fork with the bolt head to the outside and install the 3/8-16 in. Keps nut.
4. Tighten the bolt and nut until the axle spacer tube bottoms against the inside of the wheel fork (will not turn) while the wheel and spacer washers (if used) spin freely without binding.



### Deck Caster Wheel Installation

5. Grease the caster wheel bearings and caster pivot bearings - one grease fitting for each wheel and each pivot.

### Deck Discharge Deflector Shield Installation (Side Discharge Models Only)

Attach the side discharge deflector shield using two (2) 3/8-16 x 1-1/4 in. bolts, 3/8-16 nylon insert lock-nuts, and 3/8 in. wave spring washers. The wave washers fit between the two hinging surfaces. Tighten the nuts until the shield moves freely but is not loose.



**WARNING**

**DO NOT** operate the machine without the grass deflector shield attached and in the lowest possible position.

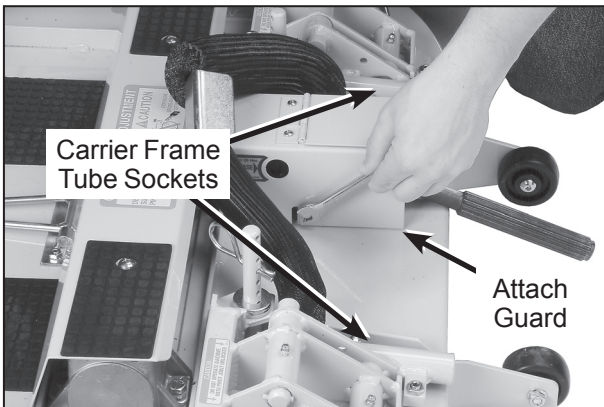
# Assembly Instructions



## Deck Discharge Shield Installation

### PTO Shaft Guard Installation

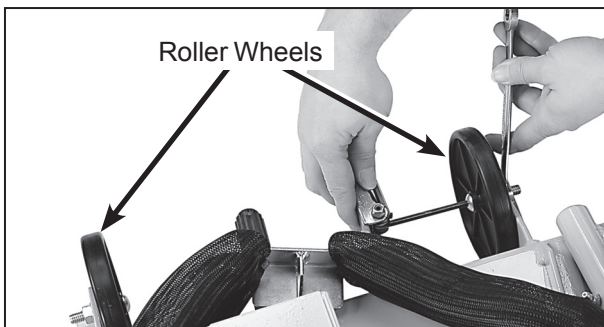
Position the shaft guard as shown and mount with two (2) 1/4-20 x 1/2 in. bolts.



## PTO Shaft Guard Installation

### Tilt-Up Roller Wheel Installation

Mount the two (2) tilt-up roller wheels on the brackets on the rear skirt of the deck housing using the P/N 8490 axle bolt, 3/8 in. wave spring washer and 3/8-16 in. Whiz locknut. Tighten the axle bolt until the wheel rolls freely, but is not loose.



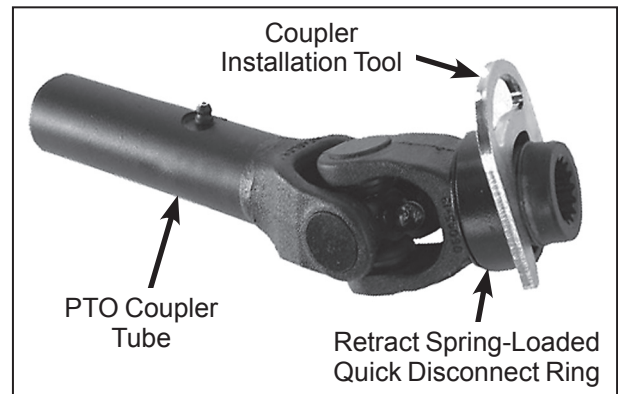
## Roller Wheel Installation

## Mower Deck Installation on Tractor

### Deck Installation

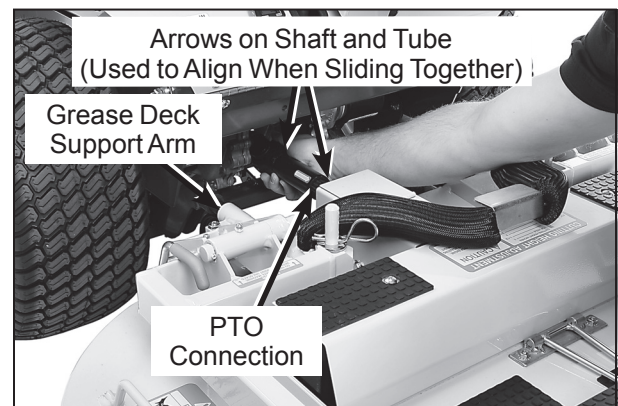
1. Lightly grease each deck support arm (2) on the tractor. Refer to **Mower Deck Installation** photo for location of deck support arm.
2. Engage the deck carrier frame tube sockets on the tractor support arms (refer to **PTO Shaft Guard Installation** photo for socket location), slide the deck onto the support arms approximately 3 in. (76 mm).
3. Retract the spring-loaded quick disconnect ring on the PTO Coupler and insert the Coupler Installation Tool (provided in Owner's Packet) as shown in the photo below.

**NOTE:** The Coupler Installation Tool is provided for convenience, but is not required for installation.



## PTO Coupler Installation Tool

4. Reaching under the tractor, slide the PTO coupler tube onto the deck drive shaft (align arrow decals), then install the coupler quick disconnect onto the tractor PTO drive shaft.



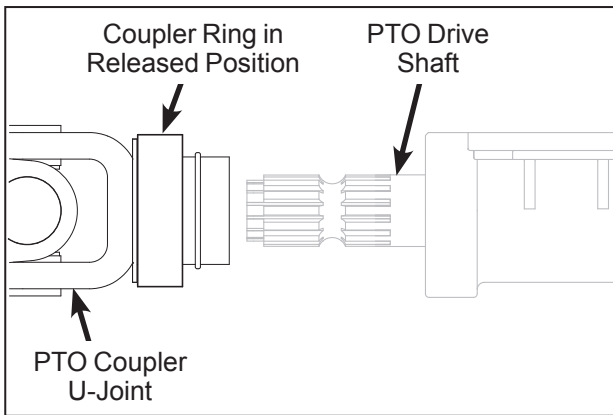
## Mower Deck Installation (PTO Shaft Connection)

# Assembly Instructions

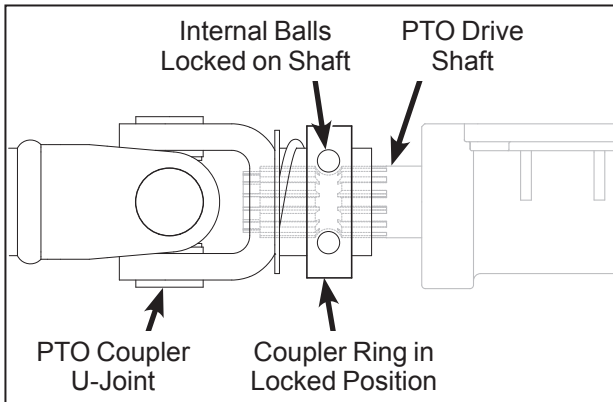
- Remove Installation Tool from quick disconnect ring and make sure the ring has “snapped” securely on the spline shaft.

**IMPORTANT: DO NOT** operate tractor with Coupler Installation Tool installed.

**IMPORTANT:** To prevent damage to the mower, make sure the PTO quick disconnect is securely locked on the tractor, with the locking balls fully seated in the groove and the ring in the locked position (refer to the **Quick Disconnect Ring “Locked” Position** illustration). After installation, pull on the PTO coupler to check for security.



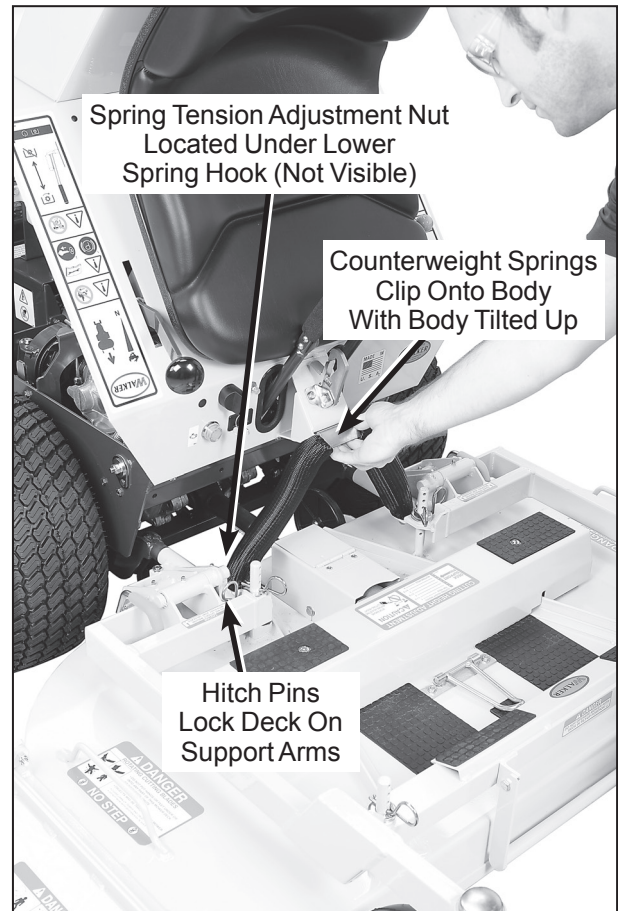
**Quick Disconnect Ring “Released” Position**



**Quick Disconnect Ring “Locked” Position**

- Slide the deck the rest of the way on the deck arms.

- Install the hitch pin through the hole on the end of each support arm to lock the deck in place (refer to **Deck Counterweight Spring Installation** photo). Two (2) hitch pins are included in the Owner’s Packet of materials.
- Raise the mower body (instead of lifting the front of deck) and clip the counterweight springs to the receptacle on front of body. Lower the body to tension the springs. (Refer to **Deck Counterweight Spring Installation** photo.)
- With the counterweight springs connected, the weight on the deck caster wheels should be 15 to 25 lb (6.8 to 11.3 kg); this adjustment is preset at the factory. If required, the spring tension can be adjusted by tightening or loosening the elastic stop hook located underneath the lower spring hook, or contact your local dealer if additional help is required. Refer to **Deck Counterweight Spring Installation** photo.



**Deck Counterweight Spring Installation**

# Assembly Instructions

## Deck Leveling

1. Position mower on a smooth, level surface. Set the cutting height to the highest position - 4 in. (102 mm) - for easy access under the deck to measure blade height. Refer to **ADJUSTING CUTTING HEIGHT** in **Operating Instructions**.

**NOTE:** A block of wood cut 4 in. (102 mm) high is a convenient gauge to measure blade height above ground during the leveling process.

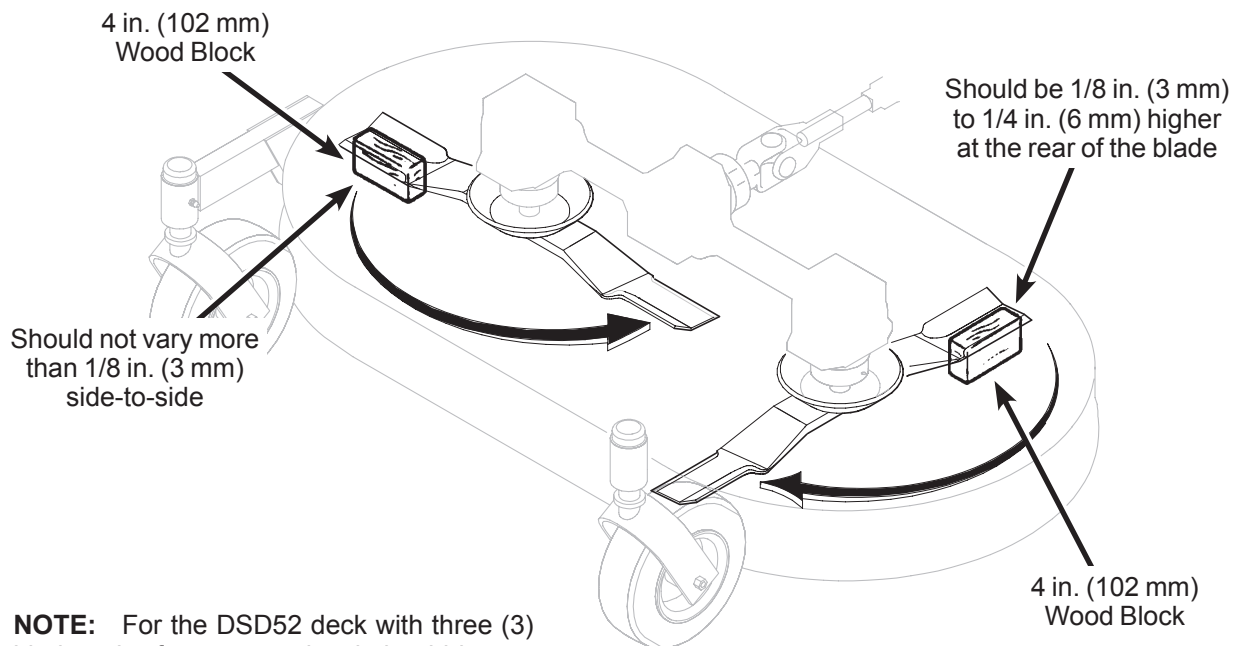


### WARNING

The machine must be shut off during this procedure.

2. Check the side-to-side level. **Rotate each blade sideways** and measure the distance from blade tip to ground on each side. If measurements vary more than 1/8 in. (3 mm), add a washer shim under the deck support pins on the low side to level the deck.
3. Check the front-to-rear level. **Rotate the blades to point forward**. Measure the distance from blade tip to ground on the front and rear. The rear of the blade should be 1/8 to 1/4 in. (3 to 6 mm) higher than the front of the blade; shim the rear (or front) deck support pins equally to achieve at least 1/16 in. (2 mm) difference.

**NOTE:** The mower deck and support frame are jig welded; within normal tolerances, very little, if any, shimming should be required to level the deck. Tire pressure will influence the levelness of the deck. Check the tire pressure as a possible cause of the deck not being level.



**NOTE:** For the DSD52 deck with three (3) blades, the front-to-rear level should be set using the middle blade pointing forward, and either outside blade pointing back.

## Deck Leveling



# Assembly Instructions

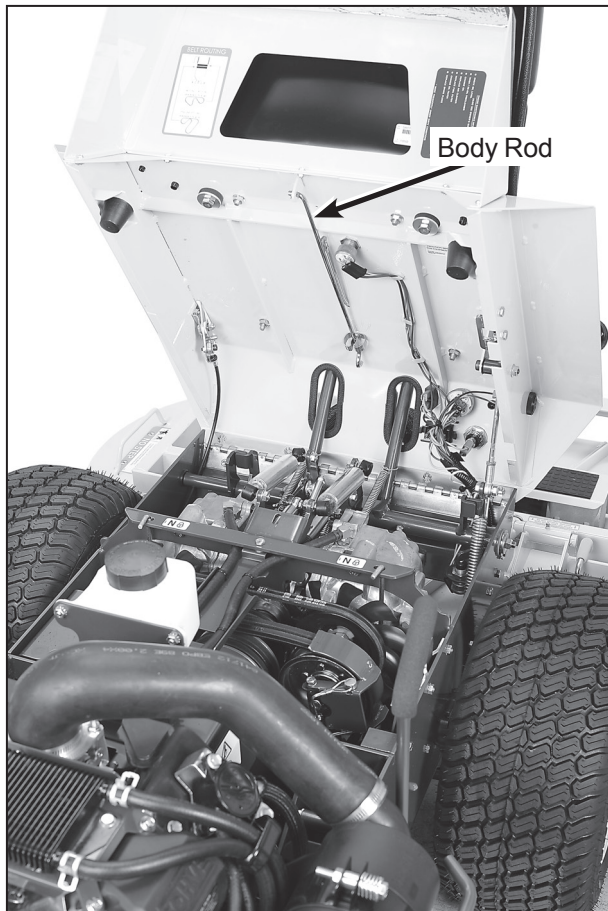
## PREOPERATING CHECKLIST

Before operating the mower for the first time, and as a routine before daily operations, it is important to make sure the mower is properly prepared and ready for operation. The following is a list of items to be checked. (For a mower with frequent operation, some of these items will not need to be checked every day, but the operator should be aware of the condition of each.)

For proper fuel and lubricants refer to **Specifications**.

CHECK BODY ROD IN STOWED POSITION

Check that body rod is secured in the stowed position before lowering body. Refer to **Body Rod in Stowed Position** photo.



**Body Rod in Stowed Position**

FILL FUEL TANK

Fill the fuel tank using clean, fresh automotive grade **unleaded** gasoline (87 octane rating minimum).

## **DANGER**

**Handle gasoline with care. Gasoline is highly flammable and its vapors are explosive. Use safe refueling procedures:**

- **DO NOT** fill fuel tank with the engine running.
- **If the engine is hot, allow to cool before refueling.**
- **Use an approved fuel container.**
- **Fuel the mower outdoors.**
- **DO NOT** smoke while refueling.
- **Avoid spilling fuel; use a funnel or spout.**
- **DO NOT** overfill the fuel tank; fill up to about 1 in. (25 mm) below the top of tank.

**IMPORTANT: DO NOT** permit dirt or other foreign matter to enter the fuel tank. Wipe dirt from around the filler cap before removing. Use a clean fuel storage container and funnel.

**IMPORTANT: DO NOT** mix oil with gasoline. Always use fresh, automotive grade unleaded gasoline. **DO NOT** use premium, white, or high-test gasoline. **DO NOT** use additives, such as carburetor cleaners, deicers, or moisture removing agents. **DO NOT** use gasoline blended with methyl alcohol.

CHECK ENGINE CRANKCASE OIL LEVEL

Check the engine crankcase oil level before use and **after each 8 hours** of continuous operation. Refer to **LUBRICATION** for *Checking Engine Crankcase Oil Level* in **Maintenance Instructions**.

CHECK AND SERVICE ENGINE AIR CLEANER SYSTEM

- Check air filter restriction gauge to make sure the yellow indicator disk is in the safe operating (green) range.
- Check condition, cleanliness, and security of the complete air cleaner system (inspect air filter **every 100 hours**). For detailed procedures, refer to **CLEANING** the **Engine Air Cleaner System** in **Maintenance Instructions**.

# Assembly Instructions

## CHECK ENGINE COOLING SYSTEM

Check that the engine cooling air intake screen is free of obstruction by grass clippings or debris and clean if required. Also, cylinder head cooling fins should be inspected and cleaned if any build-up of debris is noted. Refer to **CLEANING** the *Cylinder Head Cooling Fins* in the **Maintenance Instructions** for this procedure.

## CHECK SECURITY OF DRIVE TIRE MOUNTING NUTS

The eight (8) Drive Tire mounting nuts should each be torqued to 75 to 85 lb·ft (102 to 115 N·m).

## INSPECT THREE (3) DRIVE BELTS

Engine/PTO (2) and Ground Drive.

## CHECK HYDROSTATIC TRANSAXLE OIL LEVEL

Refer to **LUBRICATION** for **Transaxle Lubrication** in **Maintenance Instructions**.

## CHECK FUNCTION OF SAFETY INTERLOCK SWITCHES

Refer to **Operating Instructions** to check for proper operation of safety switches, both during engine starting and with the operator leaving the seat with tractor moving forward or with the mower blades engaged.

## CHECK TIRE PRESSURE

Deck Caster Wheel = 20 PSI (137 kPa)

Drive = 15 PSI (103 kPa)

Rear = 20 PSI (137 kPa)

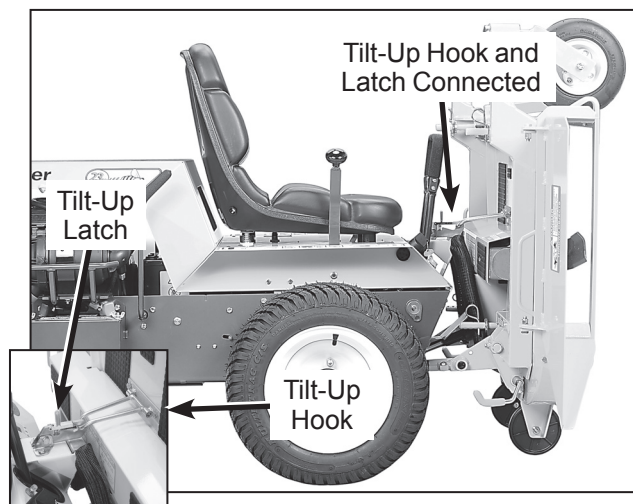
## CHECK AND CLEAN GRASS BUILDUP UNDERNEATH MOWER DECK

Refer to **CLEANING** the **Grass Buildup in Mower Housing** in **Maintenance Instructions** for deck tilt-up and deck cleaning information.

 **DANGER**

**Never operate cutter blades with deck in raised position because it is hazardous.**

The tilt-up deck can be secured in the raised position by unlocking the deck lock levers on each side of the carrier frame and inserting the deck hook into the tilt-up latch on the tractor body. Before operating the tractor, make sure to re-engage the deck lock levers after lowering the deck to the normal operating position.



**Deck Secured in TILT-UP Position**

 **CAUTION**

**Do not operate machine with deck tilt-up pivot joint unlocked.**

 **DANGER**

**Do not operate the mower with deck in tilt-up position. Do not move the tractor with the deck in the tilt-up position.**



# Assembly Instructions

- CHECK MOWER BLADE CONDITION, SHARPNESS, BALANCE, AND SECURITY OF MOUNTING

The blade mounting nuts on gear driven decks should be torqued to 60 lb·ft (81 N·m), and the blade mounting bolts on belt driven decks torqued to 70 lb·ft (95 N·m). If blade sharpening is required, refer to **CHECKING/SERVICING** for **Sharpen Mower Blades** in **Maintenance Instructions**.

- ADJUST MOWER CUTTING HEIGHT, IF REQUIRED

Position the hitch pins in the four deck support pins. Refer to the “Cutting Height Adjustment” decal on the deck gearbox cover.

- PERFORM ANY ADDITIONAL PROCEDURES called for on the **MAINTENANCE SCHEDULE CHART** in **Maintenance Instructions**.

# Operating Instructions

## CONTROL IDENTIFICATION, LOCATION, AND FUNCTION

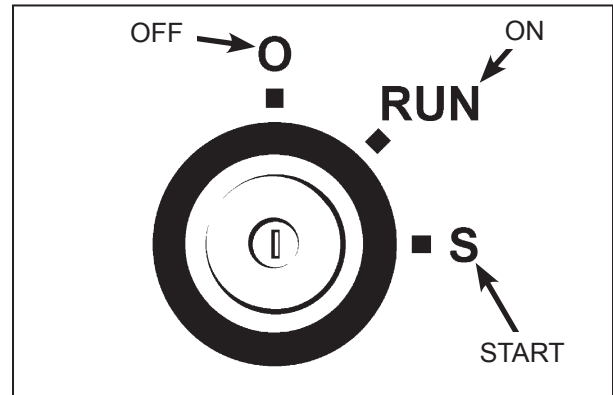
### CAUTION

Before operating the mower, become familiar with the location and function of all operator controls. Knowing the location, function, and operation of these controls is important for safe and efficient operation of the mower.

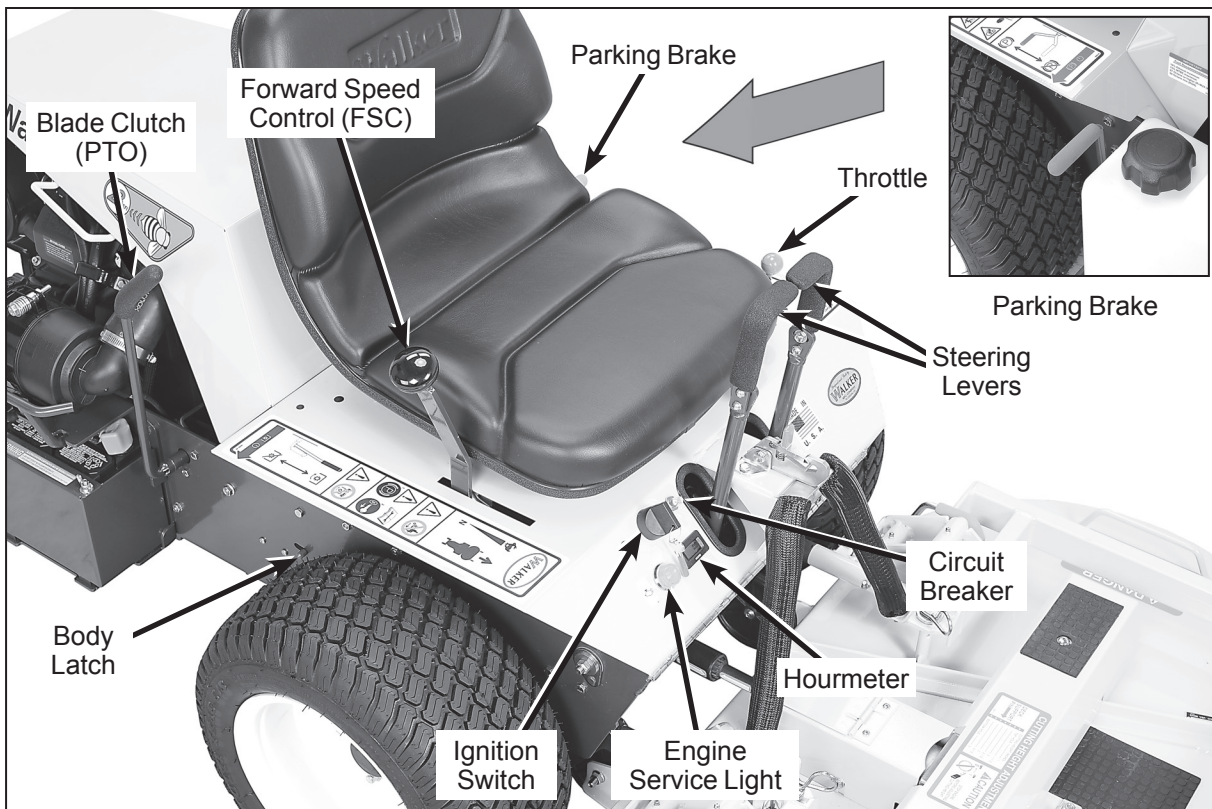
### Ignition Switch

The ignition switch is located on the right front of the body and is used to start and stop the engine. The switch has three positions: "O" is the **OFF** position, **RUN** is the position the key returns to after starting, and "S" is the **START** position. When starting the engine, turn the key clockwise to the "S" position.

Do not hold the key in the "S" position longer than 10 seconds. If the engine does not start, return the key to the "O" position for at least 60 seconds before making a restart attempt. Prolonged cranking can damage the starter motor and shorten battery life. Release the key when the engine starts, and it will return to the **RUN** position. To stop the engine, rotate the key counterclockwise to the "O" position.



Ignition Switch

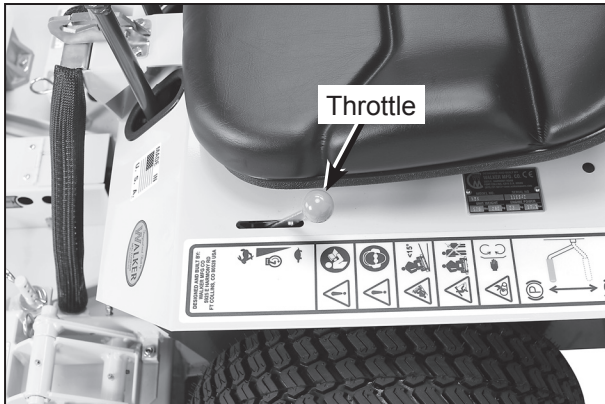


Operating Controls

# Operating Instructions

## Engine Throttle

The throttle control lever (red knob) is located on the left side of the seat and is used to control engine speed. Moving the lever **forward** toward the **FAST** position **increases** engine speed; moving it **backward** toward the **IDLE** position **decreases** engine speed.



Throttle Location

## Forward Speed Control (FSC)

Forward Speed Control (FSC) has two functions: One is to set forward travel speed, and the other is to establish the **NEUTRAL-PARK** position. When the FSC lever is moved into the **FORWARD** position, a friction lock holds any forward speed setting from 0 to 8 mph (0 to 12.9 km/h). The ground speed is proportional to the lever position; the further the lever is advanced forward, the faster the tractor moves. It is not necessary to hold the FSC in position since the friction lock maintains the selected lever position. Pulling back on the steering levers overrides the FSC setting and slows or stops forward travel. Releasing the steering levers allows the tractor to resume forward travel at the speed set by the FSC lever. To stop and park the machine, the FSC lever is moved backward to the **NEUTRAL-PARK** position.

## Blade Clutch (PTO)

The blade clutch lever has two positions. Pushing the lever **DOWN engages** the PTO that drives the mower blades. Pulling the lever **UP disengages** the PTO and engages the blade brake.

## Steering Levers

Each drive wheel is controlled by its own independent steering lever, for both steering function and **FORWARD/REVERSE** motion. The FSC lever sets the maximum forward speed, and also sets the forward position of the steering levers. The steering levers operate **only with a backward pulling** movement of the lever, which causes the drive wheel for that lever to first slow down, stop, and then reverse with a full backward lever stroke. The levers are released to the **FORWARD** position for "straight-ahead" ground travel.

**NOTE:** Pushing forward on the steering levers will not cause **any** change in tractor motion - there will be no steering lever reaction and there will be no machine damage.

## Oil Pressure Warning Horn

The oil pressure warning horn indicates that engine oil pressure is below the safe operating level [below 3 to 5 PSI (21 to 34 kPa)]. This horn will sound when the ignition is turned **ON**, but should go off after the engine is started. If the horn fails to sound when the ignition switch is turned **ON**, it could indicate a horn failure. If the horn sounds during engine operation, stop the engine immediately and correct the source of the problem before further engine operation.

**IMPORTANT:** Continued operation of the engine with a low oil pressure condition **WILL** cause severe engine damage.



Warning Horn Location

# Operating Instructions

## Parking Brake

The parking brake functions by locking a detent arm internally into the transaxle. Moving the lever **FORWARD engages** the parking brake; moving the lever **BACKWARD releases** the brake.

**IMPORTANT:** Stop the tractor completely before engaging the parking brake. The parking brake uses a positive mechanical lock similar to the **PARK** position on an automotive automatic transmission. If the tractor is moving when the brake is engaged, it will result in sudden stoppage and possible internal damage to the transaxle.

**NOTE:** If pressure on the parking brake (e.g., parked on a hill) makes it impossible to release the parking brake with the parking brake lever, move the mower gently forward or backward to allow the brake detent to release.



**Parking Brake Engaged**

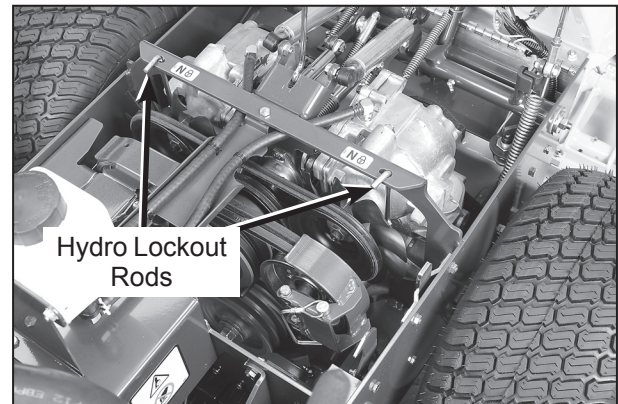


**Parking Brake Disengaged**

## Transaxle Lockout Rods

The transaxle lockout rods disengage the transaxles. By **lifting** the rods up and locking them into place with the shoulder on the rod in the chassis notch, the transaxles are released to permit free-wheeling. By releasing the rods and **recessing** them back toward the chassis, the transaxles are engaged for normal operation. The transaxle rods in the **LOCKOUT** position are used to enable moving the machine without the engine running (e.g., for service). Refer to **TRANSAXLE LOCKOUTS** in this section for operating instructions.

**NOTE:** The transaxle lockout rods ends should be completely retracted against the chassis, otherwise operation of the transaxle may be erratic.



**Hydro Lockout Rod Location**

## Engine Service Light

The engine service light indicates that the engine Electronic Control Unit (ECU) has detected a fault in the engine performance. When this light illuminates during operation, contact an authorized Kohler Service dealer to diagnose the fault.

**IMPORTANT:** Continued operation of the engine with an illuminated service engine soon light will result in sub-standard performance and **MAY** cause engine damage if not corrected as soon as possible.

## Circuit Breaker

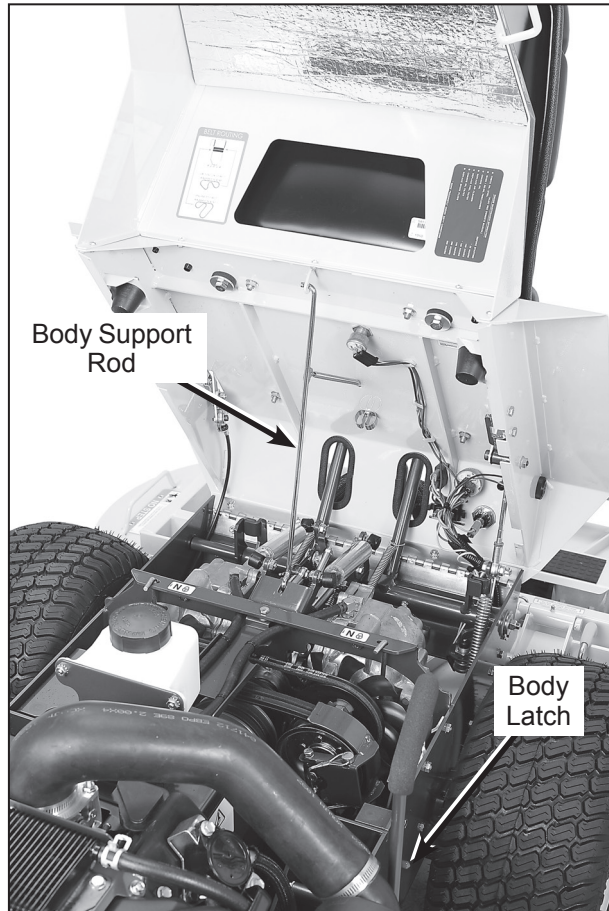
One manual reset circuit breaker is located on the right front of the body. It has a button that pops out if the circuit breaker trips. The 15 amp circuit breaker protects the safety and ignition switch circuits.



# Operating Instructions

## Body Latch

The tractor body hinges forward for maintenance access and is latched down in the **OPERATING** position. To raise the body, pull back on body latch and lift body from the rear of the machine. Use the body support rod to secure the body in the raised position as shown.



**Body in Raised Position**

## Hourmeter

The hourmeter, which is located on the right front of the body, displays **operating time** accumulated when the PTO is in the **ENGAGED** position.

The hourmeter provides maintenance reminders after certain hours of operation. The hourmeter screen will start flashing the reminder one hour prior to the recommended interval and will continue until one hour after the recommended interval (two hours). The hourmeter **does not have a manual reset function.**

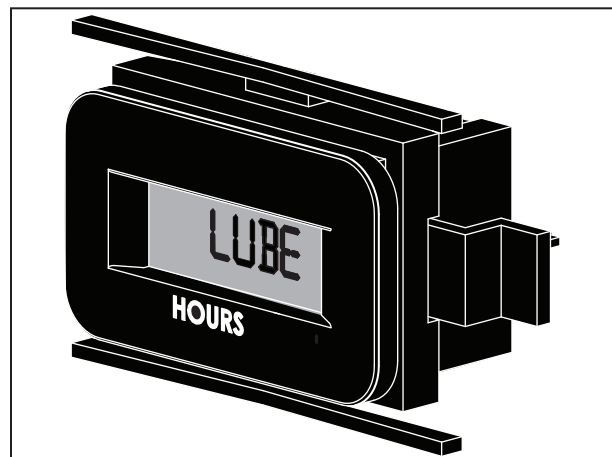
| Procedure                  | Interval*      | Reminder        |
|----------------------------|----------------|-----------------|
| Oil Change (Break-In)**    | 4-6 Hours      | C<br>H<br>G OIL |
| Lubricate and Check Levels | 24-26 Hours    | LUBE            |
| Oil Change                 | 49-51 Hours*** | C<br>H<br>G OIL |

\* These intervals reflect the actual time that the reminder will flash (one hour prior to and one hour after the recommended interval).

\*\* This reminder is only used one time.

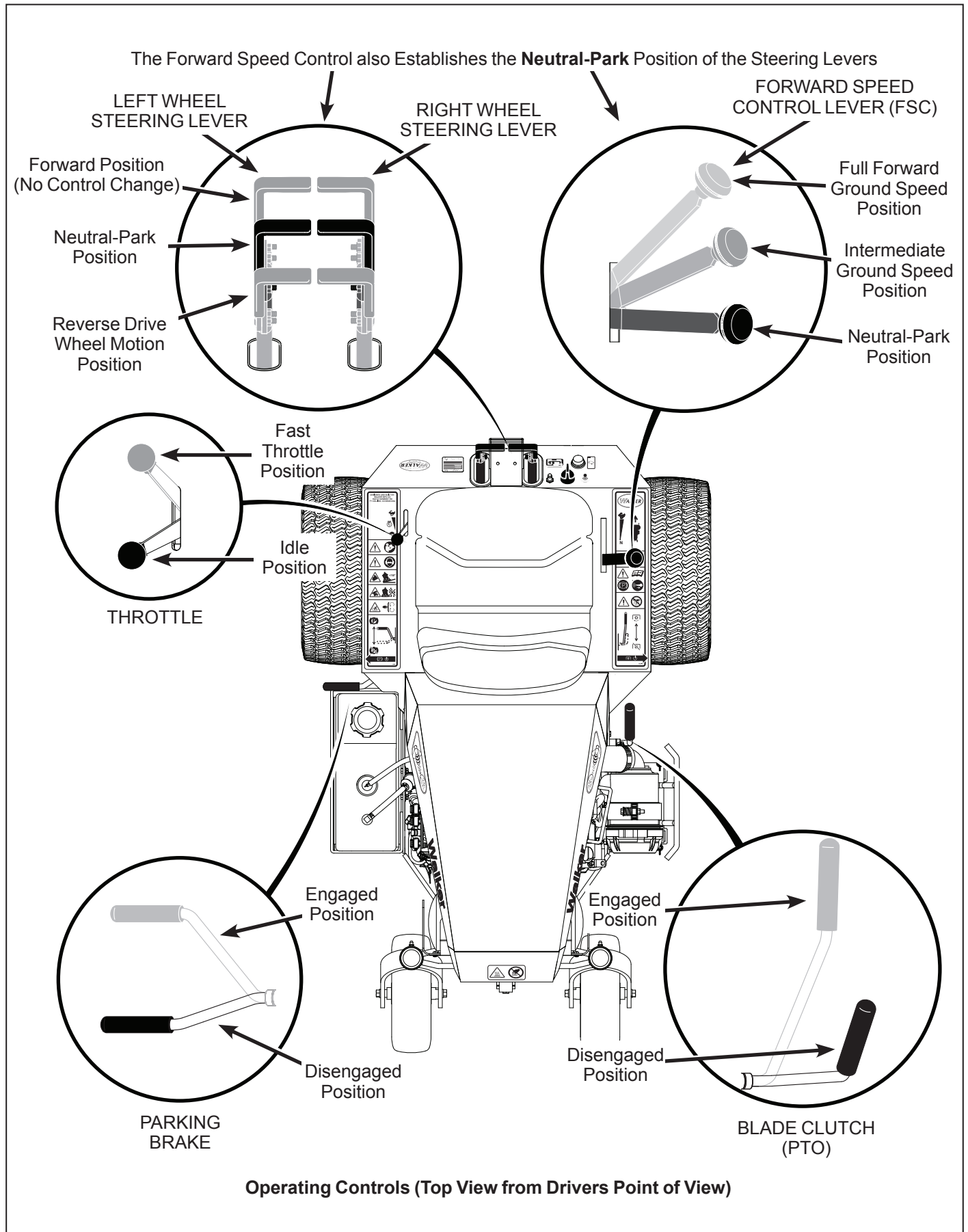
\*\*\* In normal operating conditions, oil changes in 100-hour intervals are acceptable. Walker and the engine manufacturers recommend engine oil changes every 50 hours in extremely dirty or dusty conditions or for units with less than 100 hours annual use.

**NOTE:** The blinking hour glass on the display means that the meter is operating properly.



**Hourmeter**

# Operating Instructions



# Operating Instructions

## STARTING THE ENGINE

### CAUTION

Before operating the mower, read and understand all Safety Instructions and Operating Instructions.

### WARNING

NEVER run the engine in an enclosed or poorly ventilated area. Engine exhaust contains carbon monoxide, an odorless and deadly gas.

1. Before attempting to start the engine, make sure the operator is in the seat, the Forward Speed Control is in **NEUTRAL-PARK** position, and the blade clutch and parking brake are **DIS-ENGAGED**.

**NOTE:** Release parking brake to prevent extra load on the starter if the transmission neutral is slightly out of adjustment.

### CAUTION

A safety interlock switch system **PREVENTS CRANKING** the engine with either the Forward Speed Control or the blade clutch (PTO) out of neutral. If the engine cranks otherwise, the safety system is not working and should be repaired or adjusted before operating the mower. **DO NOT** disconnect safety switches; they are for the operator's protection.

2. Move the throttle 1/4 to 1/2 open (toward **FAST**) and turn the ignition switch to the **START** position to start the engine. Release the key to **RUN** position as soon as the engine starts.

**IMPORTANT: DO NOT** crank the engine continuously for more than 10 seconds at a time. If the engine does not start, turn the key to the **OFF** position and allow a 60 second cool-down period between starting attempts. Failure to follow these guidelines can damage the starter motor and shorten battery life. Contact your Walker dealer or authorized engine dealer for additional help.

## ADJUSTING GROUND SPEED AND STEERING

### CAUTION

Learn to **START, STOP, and MANEUVER** the mower in a large, open area.

If the operator has not operated a machine with **LEVER STEERING OR DUAL TRANS-AXLES**, steering and ground operation should be learned and practiced until the operator is completely comfortable handling the machine **BEFORE ATTEMPTING TO MOW**.

### DANGER

Keep feet on footrests at all times when the machine is moving. Never operate the tractor without a deck or implement installed.



# Operating Instructions

## Beginning Recommendations are:

- ◆ Learn operation of the mower in an open area away from buildings, fences, and obstructions. Learn operation on flat ground **BEFORE** operating on slopes.
- ◆ Start maneuvering the mower with **SLOW** engine speed and **SLOW** Forward Speed Control setting until familiar with all operating characteristics.
- ◆ Remember it is not necessary to hold the steering levers forward (a unique Walker feature); always **PULL** on the levers for steering or for reverse motion of the mower.
- ◆ Learn to operate the mower with your left hand on the steering levers and right hand on Forward Speed Control. The use of two hands on the steering levers tends to cause overcontrol.
- ◆ Learn to operate the steering levers with smooth action. Jerky movements are hard on the transmission and lawn. For sharp turns, do not allow the inside wheel to stop and twist on the grass. Pull the steering lever controlling the inside wheel into reverse for a smooth “rolling” turn (one wheel rolling forward while the other rolls backward).
- ◆ Practice maneuvering the mower until you can make it go exactly where you are aiming.
- ◆ Remember, for an emergency stop, or in case of loss of control, machine movement can always be stopped quickly by pulling the Forward Speed Control into the **NEUTRAL-PARK** position.

1. Move the FSC out of **NEUTRAL-PARK** position to the desired forward speed. **DO NOT** hold forward on steering levers. It is not necessary to hold the FSC lever in position since a friction lock maintains the selected lever position (and forward travel speed).

## **WARNING**

In case the transmission drive belt breaks during operation, and if the machine is on a slope, the machine will freewheel down the slope. To maintain control, immediately (1) Release the steering levers and simultaneously (2) Move the FSC to the **NEUTRAL-PARK** position. When the machine is stopped or moving slowly, engage the parking brake.

**NOTE:** This is exactly the same procedure used to normally stop and park the machine.

**NOTE:** If the FSC lever will not stay in the selected position, the friction lock needs to be adjusted. Refer to **ADJUSTMENTS** for **Step 7 - Forward Speed Control Friction Adjustment** in the **Maintenance Instructions**.

2. Steer by pulling the lever on the side of desired direction of turn, e.g., pull the **LH** lever to **turn left**. To minimize the possibility of overcontrol, use only one hand on both steering levers.



## **Correct Operator Hand Position on the Controls**

3. Reverse direction of the mower by pulling both levers backward.

# Operating Instructions

**NOTE:** Smooth action on the steering levers will produce smooth mower operation. Remember to keep the engine and ground speed slow until learning the control response.

4. The FSC may be adjusted forward for faster ground speed and backward for slower ground speed. When mowing, ground speed should be adjusted to match the load on the cutter blades, i.e., as the engine pulls down in heavy cutting, pull back on the FSC lever to reduce ground speed. Adjusting ground speed helps maintain a balance between engine power and blade speed for high-quality cutting action.
5. Stop ground travel by pulling both steering levers backward to the **NEUTRAL-PARK** position (tractor not moving) and then moving the FSC lever to the **NEUTRAL-PARK** position.

**NOTE:** If the tractor creeps forward or backward with the FSC lever in the **NEUTRAL-PARK** position, the transmission control needs to be adjusted. Refer to **ADJUSTMENTS** for **Step 3 - Neutral Position Adjustment** in the **Maintenance Instructions**.

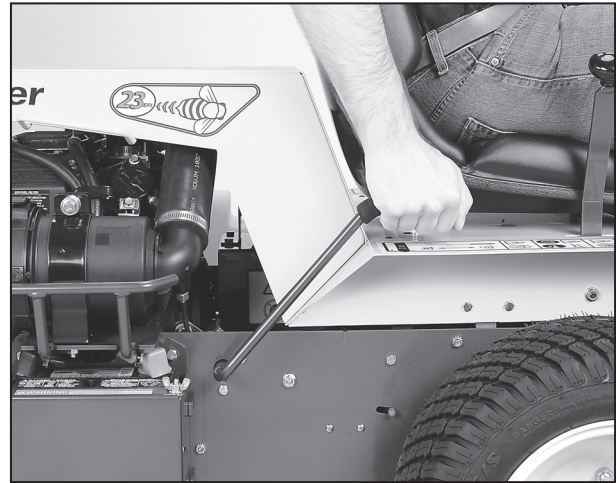
## ENGAGING THE BLADE DRIVE

1. Set the engine throttle at about 1/3 speed. **Do not attempt to engage the blade clutch at high engine speeds.** This will drastically shorten drive belt life. Use only moderate engine speed when engaging the blade clutch.
2. Engage the blade clutch by moving the blade clutch lever forward **SLOWLY**. For disengagement, move the blade clutch lever backward **SLOWLY**.

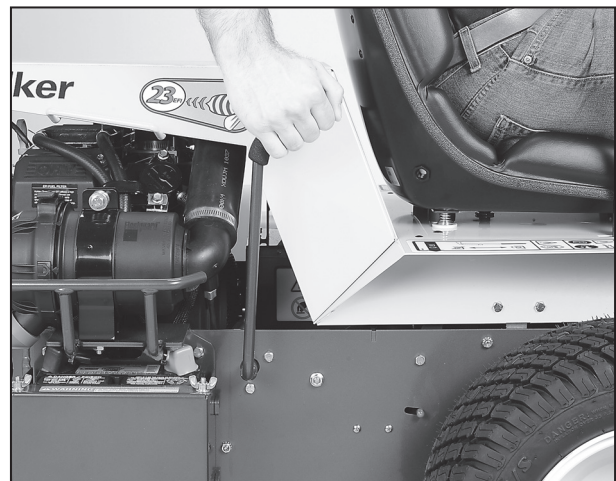
### **CAUTION**

An operator presence switch (seat switch) will cause the engine to stop if the blade clutch is engaged and the operator is not in the seat. The function of this switch should be checked by the operator raising off the seat and engaging the blade clutch; the engine should stop. If the switch is not working, it should be repaired or replaced before operating the mower. **DO NOT** disconnect the safety switches; they are for the operator's protection.

**IMPORTANT: DO NOT** engage the blade clutch when transporting the mower across drives, sidewalks, loose materials, etc. **DO NOT engage the blade clutch with the PTO shaft disconnected** (the mower deck removed from tractor).



**Blade Clutch Engaged**



**Blade Clutch Disengaged**

# Operating Instructions

## CAUTION

If the cutting blades strike a stationary object while mowing, stop the mower immediately, disconnect the spark plug wires, lift the deck, and inspect the deck and blades thoroughly for damage. Make sure that the blade timing has not been disturbed (the blades should be at 90 degrees to each other). Refer to **REPLACING/REPAIRING the Blade Overload Shear Bolts in Maintenance Instructions** if blades are out of time. Also, make sure the blade retaining nuts are torqued to 60 lb-ft (81 N·m).

### STOPPING THE MACHINE

1. Pull the steering levers to the **NEUTRAL-PARK** position and then move the FSC lever backward to the **NEUTRAL-PARK** position.
2. Slow the engine to idle; put the throttle in the **IDLE** position.
3. Disengage the blade clutch.

**IMPORTANT:** DO NOT disengage the blade clutch with high engine speed (above 1/2 throttle) since the brake action on the blade drive will cause increased wear of the brake band.

## WARNING

**A brake stops the cutter blades from freewheeling within five (5) seconds after disengaging the clutch. If the brake system malfunctions and the blades do not stop within five (5) seconds, the brake should be repaired or replaced before operating the mower. Contact your Walker dealer.**

4. Turn the ignition switch **OFF**.

## WARNING

**Remove the key from the ignition switch when leaving the mower unattended. This will prevent children and inexperienced operators from starting the engine.**

5. Engage the parking brake. Also, engaging the parking brake is recommended when stopping or parking the machine in a confined space with little tolerance for movement.

**IMPORTANT:** The hydrostatic transaxles lock to prevent the mower from rolling freely with the engine stopped. However, if the mower is parked on a slope, it is necessary to **ENGAGE** the parking **BRAKE** to prevent the mower from creeping. This is due to a small amount of slippage in the transaxles, especially when transmission fluid is warm.

### ADJUSTING CUTTING HEIGHT

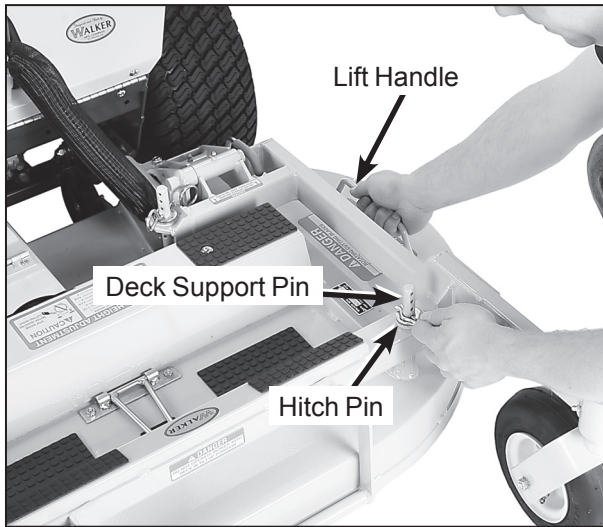
## WARNING

**The engine must be stopped before adjusting cutting height. Disengage the blade clutch (PTO), stop the engine, and remove the ignition key. Wait for all movement to stop before getting off the seat.**

Cutting height is adjusted by positioning the four (4) retainer hitch pins in a series of seven vertical holes on the deck support pins. Lift handles have been provided on each end of the deck to assist in raising the deck while positioning the hitch pins. Cutting heights range from 1 in. (25 mm) [top holes] to 4 in. (102 mm) [bottom holes] in 1/2 in. (13 mm) increments.



# Operating Instructions



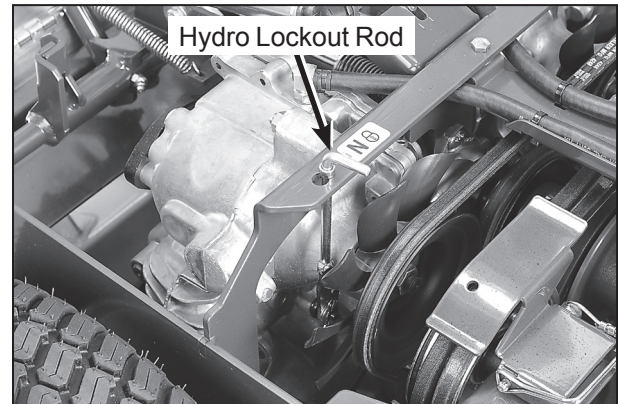
**Cutting Height Adjustment**

## TRANSAXLE LOCKOUTS

**IMPORTANT: DO NOT TOW** this mower faster than 2 mph (3.2 km/h) with the transmission lockout engaged. Towing can produce excessive internal pressure and damage the transaxle(s).

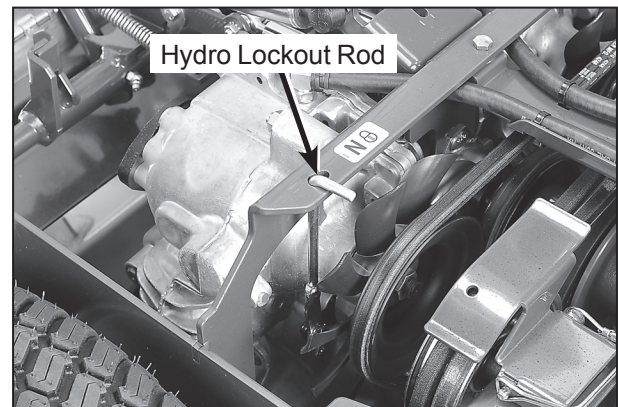
To move the mower with the engine **NOT** running (dead battery, maintenance, etc.), the transaxles are unlocked (released).

1. Raise the body.
2. Pull up the transaxle lockout rods on both the RH and LH transaxles and secure into place by shouldering both rods in the chassis notch area.
3. The mower will "freewheel" with the rods in the **LOCKOUT** position. The levers must be in the highest position to completely unlock the transmissions.



**Hydro Lockout Rod - Freewheel Position**

4. After moving the mower, release the rods, placing them in the normal **OPERATING** position. The transmission rod ends should be completely retracted against the chassis, otherwise operation of the transmission maybe erratic.



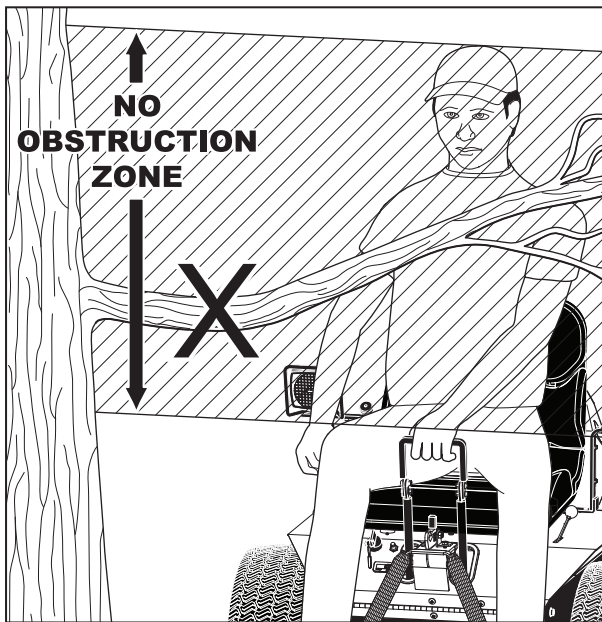
**Hydro Lockout Rod - Normal Operating Position**

# Operating Instructions

## RECOMMENDATIONS FOR MOWING

### **DANGER**

Do not mow around overhanging tree branches or bushes at the same height as the operator's torso and head where inadvertent contact may cause injury.



### Avoid Low Hanging Branches

**IMPORTANT:** Operate the engine at **full throttle** when mowing, to allow the engine to produce full horsepower and to increase efficiency of the engine cooling system.

- Keep the mower deck and discharge shield clean.
- Mow with **sharp blades**. A dull blade tears the grass (resulting in poor lawn appearance) and uses extra power (slowing the mowing speed).
- It is preferable to cut grass when it is **dry** and **not too tall**. Mow frequently and do not cut grass too short. (For best appearance, cut off 1/3 or less of existing grass height.)
- When mowing, operate the engine at **full throttle** for the best cutting action. Mowing with a lower engine RPM causes the mowing blade to not cut clean and tear the grass. The engine is **designed to be operated at full speed**.

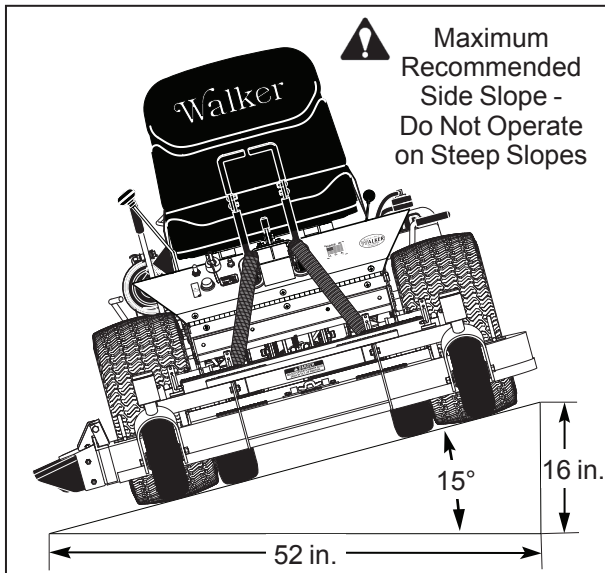
- When mowing in adverse conditions (tall and/or wet grass), mow the grass twice. Raise the mower to the highest setting - 4 in. (102 mm) - for the first pass and then make a second pass cutting to the desired height.
- Use a **slow** setting on the FSC for **trimming** operations.
- Make sure the mower is **leveled properly** for a smooth cut. Refer to *Deck Leveling* in *Assembly Instructions*.
- Use an alternating **stripe mowing pattern** for **best appearance** and vary the direction of the stripe each time the grass is mowed to avoid wear patterns in the grass.
- Avoid damage to the grass by slipping and skidding of the drive tires. Use **smooth control movements** of the steering levers since the transaxles are "power boosted controls" and jerking the levers can easily slip the tires. For sharp turns, do not allow the inside wheel to stop and twist on grass; pull inside steering lever into reverse for a smooth "rolling" turn (one wheel rolling forward while the other rolls backward).
- When using a side discharge mower deck, the side discharge deflector shield **must not be removed** and must be kept in the lowest possible position to deflect grass clippings and thrown objects downward. Orient the side discharge away from sidewalks or streets to minimize cleanup of clippings. When mowing close to obstacles, orient the side discharge away from obstacles to reduce the chance of damage to property by thrown objects.



### Side Discharge Deflector Shield in Lowest Position

# Operating Instructions

- When operating on a slope, **reduce speed and use caution** to start, stop, and maneuver. Avoid sharp turns or sudden changes in direction. The **maximum recommended side slope operating angle is 15 degrees or 26% grade.**



**Maximum Recommended Side Slope**

 **DANGER**

**Do not mow or drive the tractor within 5 feet (1.5 meters) of an embankment or retaining wall with drop off.**

## RECOMMENDATIONS FOR TILT-UP DECK OPERATION/TRANSPORT

To avoid potential deck and/or tractor damage while using the tilt-up deck, the following recommendations are offered:

- **Do not move the tractor** with the deck in the tilt-up position since both the roller wheels (on the back of the deck) may be damaged by moving the tractor. The tilt-up configuration should only be used when the tractor is parked.
- The tractor **body should never be tilted forward** with the deck in the tilt-up position. This can cause the deck to unhook from the tractor and fall with considerable force, potentially causing deck or tractor damage and/or bodily injury.
- When transporting a tractor with the deck in the tilt-up position (on a truck or trailer), the **deck should be secured** to the vehicle with a strap or rope (stop vertical movement). This will prevent the deck from bouncing on the rear roller wheels (causing breakage). This will also prevent the deck from unhooking from the tractor and falling, potentially causing deck or tractor damage. Damage to other items parked in front of the deck may also occur.



**No Driving Zone**



# Maintenance Instructions



**CAUTION**

Maintenance procedures requiring special training or tools should be performed by a trained technician.

## MAINTENANCE SCHEDULE CHART - RECOMMENDED SERVICE INTERVALS - MODEL MBK23

| Service Item  | Daily | 25 Hours | 100 Hours | 200 Hours | 400 Hours | Yearly | Every 2 Years | Ref. Page |
|---|-------|----------|-----------|-----------|-----------|--------|---------------|-----------|
| Check Engine Crankcase Oil Level                            | X     |          |           |           |           |        |               | 40        |
| Check/Clean Engine Air Cooling System*                      | X     |          |           |           |           |        |               | 46        |
| Clean Grass Buildup Under Deck                              | X     |          |           |           |           |        |               | 50        |
| Service Mower Blades  | X     |          |           |           |           |        |               | 53        |
| Check Security of Air Cleaner System                        | X     |          |           |           |           |        |               | 52        |
| Check Air Filter Restriction Gauge                          | X     |          |           |           |           |        |               | 48        |
| Check Battery Electrolyte Level                             |       | X        |           |           |           |        |               | 52        |
| Lubricate Grease Fittings and Oil Points*                   |       | X        |           |           |           |        |               | 43        |
| Check Transaxle Fluid                                       |       | X        |           |           |           |        |               | 46        |
| Check Tire Pressure   |       | X        |           |           |           |        |               | 53        |
| Check Drive Belts (Engine/PTO, Ground Drive)                |       | X        |           |           |           |        |               | 54        |
| Check Deck Gearbox Oil Seals                                |       | X        |           |           |           |        |               | 54        |
| Check Safety Switch System                                  |       | X        |           |           |           |        |               | 55        |
| Check Security of Drive Tire Mounting Nuts (75 to 85 lb-ft) |       |          | X         |           |           |        |               | 53        |
| Clean Transaxle Housing                                     |       |          | X         |           |           |        |               | 51        |
| Check Blade Brake Action                                    |       |          | X         |           |           |        |               | 55        |
| Clean Engine Cooling Fins                                   |       |          | X         |           |           |        |               | 47        |
| Check Air Filter Element***                                 |       |          | X         |           |           |        |               | 49        |
| Check/Regap Spark Plugs                                     |       |          | X         |           |           |        |               | 55        |
| Change Engine Crankcase Oil**                               |       |          | X         |           |           |        |               | 40        |
| Change Engine Oil Filter                                    |       |          |           | X         |           |        |               | 40        |
| Replace Fuel Filter   |       |          |           | X         |           |        |               | 59        |
| Change Transaxle Oil and Filter                             |       |          |           |           | X         |        |               | 42        |
| Replace Air Filter Element***                               |       |          |           |           | X         |        |               | 49        |
| Check FSC Friction Lock                                     |       |          |           |           |           | X      |               | 56        |
| Check Fuel Lines and Clamps                                 |       |          |           |           |           | X      |               | 55        |
| Service Solenoid Shift Starter                              |       |          |           |           |           | X      |               | 55        |
| Check PTO U-Joints for Wear/Looseness                       |       |          |           |           |           | X      |               | 55        |
| Service Battery   |       |          |           |           |           | X      |               | 52        |
| Replace Fuel Lines and Clamps                               |       |          |           |           |           |        | X             | 55        |
| Replace Dust Ejection Valve***                              |       |          |           |           |           |        | X             | 49        |
| Replace Ignition Wires                                      |       |          |           |           |           |        | X             | 55        |

- \* More often in extremely dusty or dirty conditions
- \*\* Change engine oil and filter after first 5-8 hours of operation of a new engine (break-in period)
- \*\*\* Air cleaner is remote mounted Cummins/Fleetguard OptiAir™ unit, replace filter every 400 hours



**CAUTION**

When performing maintenance with the mower body raised, a safety prop should be installed from back of body to chassis frame (fail-safe protection in case of failure of body lift support).



### IMPORTANT TIPS FOR CARE OF THE KOHLER ENGINE

#### Fuel System

- Fuel must be clean - free from water, dirt, and organic material.
- Change fuel filter on a regular basis and when contamination is suspected or found in the fuel.
- The fuel pump module is a sealed unit and is not serviceable; opening the fuel pump module will void the warranty. Additionally, the fuel pump module and the fuel lines between it and the injectors are pressurized. For service of the pressurized fuel system including the fuel pump module, fuel lines, and fuel injectors contact your Walker dealer or authorized Kohler service dealer.

#### Starting/Stopping

- Start engine with the throttle advanced off idle (1/4 to 1/2 throttle). This will aid starting, especially in cold weather.
- Keep the battery fully charged.
- Match crankcase oil viscosity to the ambient temperature, allowing the engine to crank faster and start easier.
- Allow engine to run at idle for a few seconds before stopping engine to avoid run-on or backfiring.

#### Cooling System

### CAUTION

**DONOT use a pressure washer to clean the cooling system on an air-cooled engine, mud may form under the cooling shroud on the cylinder head and cooling fan.**

- Keep engine air intake screen and cylinder head fins free of grass clippings, chaff, and dirt. Inspect intake screen and cooling fins for cleanliness and no damage.
- Periodically remove two access panels in the engine shroud to inspect and clean cylinder head cooling fins.
- Check performance of the cooling system by starting the engine, holding a hand adjacent to the cylinder head, and feeling the cooling airflow.

### DANGER

**Make sure to keep hands clear of exhaust pipe, muffler, and moving parts when checking airflow.**

- Operate the engine at full speed when mowing. This allows the engine to produce full horsepower and move more cooling air through the engine cooling fins.

#### Air Cleaner System

- Use **only** Cummins/Fleetguard air cleaner elements. Aftermarket elements may not seal in the air cleaner housing, allowing dirt to enter the engine. Also, aftermarket filters often skimp on the filtration media and require more frequent replacement (see following instructions).
- Use the air filter restriction gauge to indicate the need to service the air filter.
- **DO NOT overservice** or frequently “disturb” the **air filter**. A dirty air filter actually cleans better than a new one. Changing the air filter too often can actually reduce filter efficiency and increase the opportunity for traces of dust to enter the engine. Wait until the element really needs servicing as indicated by the air filter restriction gauge.
- When the air filter element is removed or replaced, make sure all **dust is cleaned out** of the **air cleaner housing and hose**. Use a damp cloth and wipe the interior of the canister and hose clean (a little dirt left here will be sucked into the engine and reduce engine life). When the filter is reinstalled, make sure the **element is held tight and straight** in the canister for proper seating and sealing.
- Periodically check the air intake hose for cuts, nicks, etc., and the hose clamps for tightness.

#### Oil

- Use only multi-viscosity oils as specified with the viscosity matching ambient temperatures for the engine operating conditions. This will **aid starting** in cold weather and assure proper lubrication in hot weather.
- Use only Kohler oil filters. **Aftermarket filters may not seal properly** and/or have the incorrect pressure relief valve for proper lubrication.

## LUBRICATION



### WARNING

**DO NOT attempt to lubricate the machine with the engine running. Disengage the PTO clutch, shut off the machine, and remove the ignition key.**

Proper lubrication is an important maintenance procedure. It reduces wear and makes the machine quieter and easier to operate.

### Engine Oil

#### Engine Break-In Oil

No special break-in oil is required. The engine is serviced with 10W-30, Service Class SG oil from the factory. Change the oil after the initial engine **break-in period of 5 hours**. Thereafter, change oil **after every 100 hours** of operation.

#### Checking Engine Crankcase Oil Level

Check the engine crankcase oil level before use and **after each 8 hours** of continuous operation.

**IMPORTANT:** The importance of checking and maintaining the proper crankcase oil level cannot be overemphasized. Check the oil level **BEFORE EACH USE**.

1. Park the mower on a **level surface with the engine stopped**. Also, make sure the engine is cool and oil has had time to drain into the sump (allow **at least five (5) minutes** after stopping the engine).

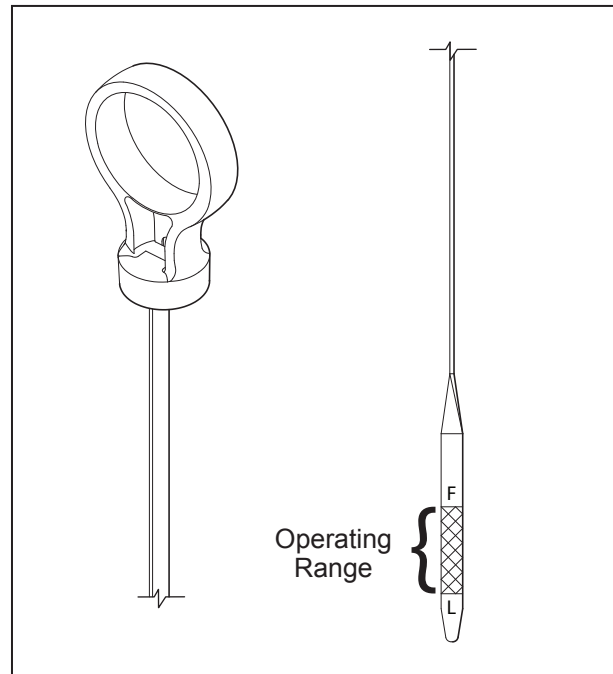
**IMPORTANT:** **NEVER** check or add oil with the engine running.

2. Before removing the dipstick, clean the area around the dipstick to keep any dirt or debris out of the engine.
3. Remove the dipstick, wipe off with a clean rag, then reinsert the dipstick into the tube and press all the way down.
4. Remove the dipstick again and check the oil level on the dipstick. The oil level should be within the "Operating Range" on the dipstick (between the "L" mark and the "F" mark).

**IMPORTANT:** **DO NOT** operate engine without a sufficient oil supply in the crankcase. **DO NOT** operate with the oil level below the "L" mark or above the "F" mark on the dipstick.

5. If additional oil is needed, refer to **Specifications** for proper crankcase lubricant. **Fill up to, but not above, the "F" mark on the dipstick.**

**IMPORTANT:** **DO NOT** overfill the crankcase (oil above "F" mark) as this **CAN** result in engine overheating, loss of power, and possible engine damage.



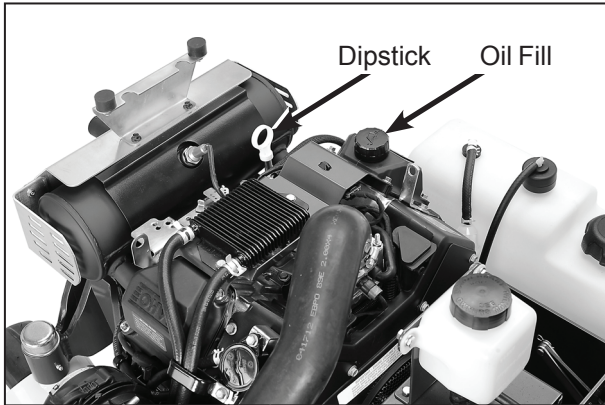
**Dipstick Operating Range**

#### Changing Engine Crankcase Oil/Oil Filter

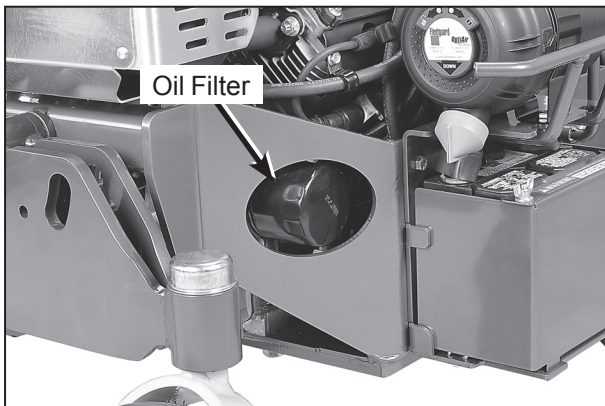
Change the engine crankcase oil **after every 100 hours** of operation and replace the oil filter every other oil change (**every 200 hours** of operation).

1. Park the mower on a **level surface with the engine stopped**. The engine oil should be warm before draining. If not warm from operation, start the engine and run a few minutes to warm the oil.
2. Before removing the dipstick, clean the area around it to keep any dirt or debris out of the engine.

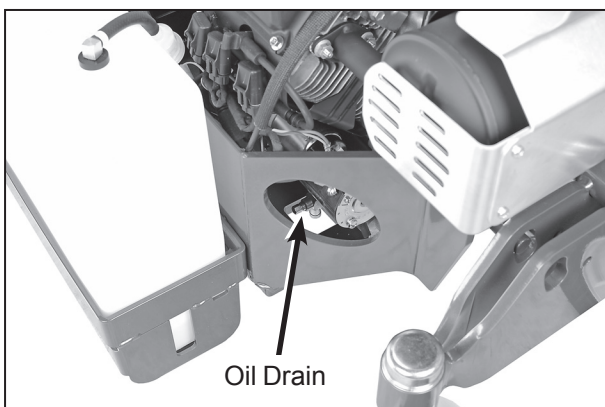
3. Remove the dipstick and open oil drain valve and drain the oil into a suitable container. Be sure to allow ample time for complete drainage.



**Dipstick and Oil Fill**  
(View from Above Right Side of Tractor)



**Oil Filter Location**  
(View from the Rear Right Side of Tractor)



**Oil Drain Location**  
(View from the Rear Left Side of Tractor)

4. Before removing the oil filter, clean the area around the filter to keep dirt and debris out of the engine.
5. Remove the old oil filter and wipe off the filter mounting surface on the engine.
6. Apply a thin coating of clean oil to the rubber gasket on the replacement oil filter.

**IMPORTANT:** Use **ONLY** oil filters from the engine manufacturer (Kohler 12-050-01). After-market oil filters may not seal properly and/or may not have the correct pressure relief valve for proper lubrication.

7. Install the new oil filter on the engine. Turn the filter clockwise until the rubber gasket contacts the sealing surface, then tighten an additional **1/2 turn**.
8. Close the oil drain valve and tighten until snug. Do not overtighten.
9. Fill the crankcase with new, clean oil. Use only crankcase lubricants recommended by the engine manufacturer. Refer to **Specifications** in this manual or the engine owner's manual. Use the recommended oil viscosity for the expected ambient temperature. Oil with the correct viscosity will aid starting in cold weather and assure proper lubrication in hot weather. **Fill up to, but not above, the "F" mark** on the dipstick. Crankcase capacity is 1.85 quarts (1.75 liters) plus 1/2 pint (0.24 liters) for the new oil filter.

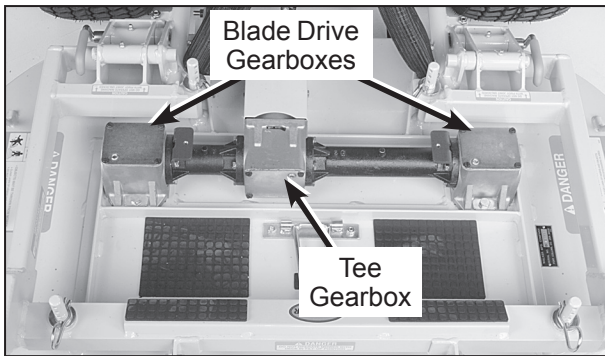
**IMPORTANT:** Check the dipstick reading before adding the last 1/2 pint of oil and **fill only to the "F" mark**. **DO NOT** overfill the crankcase (oil above "F" mark) as this **CAN** result in engine overheating, loss of power, and possible engine damage.

10. Start the engine and check for oil leaks around the oil filter. Stop the engine, recheck the oil level, and add oil if necessary. (When the engine is first operated with a new oil filter, the oil level drops slightly as the filter is filled with oil.)

## Mower Deck Gearbox Lubrication

On gear driven decks, the mower deck gearboxes (tee gearbox and blade drive gearboxes) are connected as a unitized assembly, and oil flows freely between them. The gearboxes are permanently lubricated (oil filled) and sealed requiring no scheduled lubrication. However, the gearbox oil seals should be checked **every 25 hours** for indication of an oil leak; **particularly the lower seals** on the blade drive gearboxes should be inspected, since they operate in a dirty environment. If an oil leak is noted, replace the oil seal and relubricate the gearbox assembly as follows:

1. Remove gearbox cover (footrest). Deck orientation should be the normal operating position.



**Mower Deck Gearboxes  
(Shown with Gearbox Cover  
Removed for Clarity)**

2. Clean the area around the individual gearbox cover plates to prevent contaminants from entering the gearcase.
3. Remove the screws securing the cover plates on the blade drive gearboxes.
4. Check the level of lubricant in the gearboxes. If the lubricant is low, add SAE E.P. (Extreme Pressure) 80W-90 (API GL-5) gear lube until the oil level is up to (submerges) the horizontal shaft in the gearbox (shaft parallel to cover plate).

**NOTE:** In case the gearboxes are completely drained of oil, approximately 5 fl. oz. (15 cl) of oil per gearbox is required to refill the gear drive assembly.

**NOTE:** Since the gearboxes are connected as a unit by connector tubes, it is necessary to add oil slowly. Allow a few minutes after adding oil for the oil to flow throughout the assembly and the oil level to stabilize before reassembly.

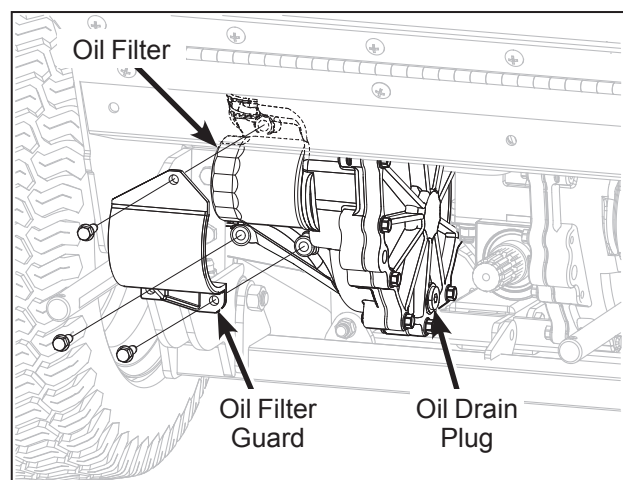
**IMPORTANT: DO NOT** overfill the deck gearboxes. The gearbox assembly is not vented, and overfilling with oil will cause excessive pressure and result in oil leaks.

5. Check condition of the cover gasket and replace if worn or damaged. Reinstall gearbox cover plates; torque screws to 24 lb·in. (2.7 N·m).

## Transaxle Oil and Filter Change

Change the transaxle oil after the initial **break-in period of 75-100 hours**. Thereafter, change oil **every 400 hours** of operation as follows:

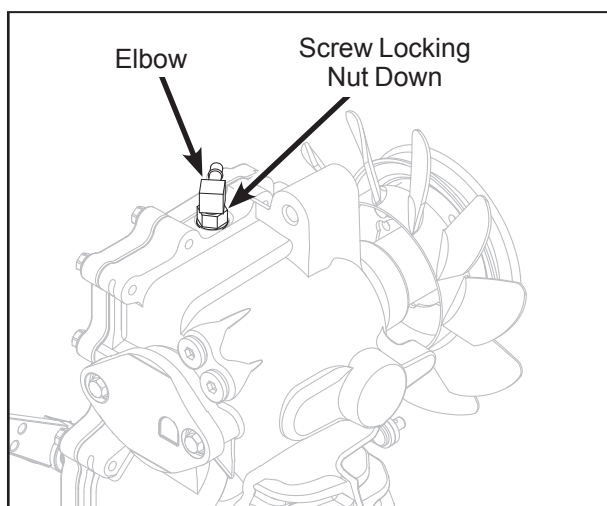
1. Thoroughly clean the exterior of the transmission housing before servicing. Remove expansion tank cap to allow venting. Using a 1/4 in. hex wrench, remove the plug on the lower inside of each transaxle allowing the oil to drain.
2. Remove the oil filter guard, remove and replace the oil filter using an oil filter wrench. Tighten filter by turning filter 3/4 to 1 turn after gasket contacts the filter base surface. Reinstall the oil filter guard. (Refer to **Transaxle Oil Drain Plug, Filter, and Guard Location** illustration.)



**Transaxle Oil Drain Plug, Filter, and  
Guard Location  
(Shown with Deck Support Arms  
Removed for Clarity)**



3. Reinstall drain plugs.
4. Remove the oil reservoir hose attached to the elbow on top of the transaxles and remove the elbows to access the oil fill openings.
5. Fill the transaxles with 20W-50 (API Service Class SL or higher) oil through the opening where the elbows were. Fill up to the opening.
6. Before reinstalling the elbows, screw the locking nut on the elbows down until they are snug (the o-ring on the elbow will be to the bottom of the o-ring groove).



### Reinstall Transaxle Elbows

7. Reinstall the elbows. When the elbow begins to be snug, position the elbow as it was when removed and tighten the locknut. Reinstall reservoir hoses to elbows.
8. Fill reservoir to 1/4-1/2 in. (6-13 mm) with 20W-50 (API Service Class SL or higher) oil.
9. Start and drive the unit for 1 - 2 minutes.
10. If the transaxle sounds noisy or has poor steering response, there may be air trapped in the transaxle. Follow purge instructions below.
11. To purge air from transaxle, raise unit and block with tires off the ground. With engine running, slowly move Forward Speed Control forward and backward 5 to 6 times. Turn off engine and check oil level and add if needed. Repeat procedure until transaxle operate at normal noise levels and move smoothly in forward and reverse.

### Grease Fitting and Oil Point Lubrication

Lubricate the grease fittings and oil points after **every 25 hours** of operation. Lubricate **more often** when operating in **dusty or dirty conditions**. Use SAE general purpose lithium or molybdenum base grease for grease fittings and light machine oil (SAE 10) to lubricate oil points. **Lubricate the locations shown in the Chassis and Deck Lubrication Points illustration.**

**NOTE:** PTO universal joints (on the deck and tractor) require routine lubrication **after every 8 hours** of running time.

**NOTE:** The best way to lubricate the PTO tube half of the universal joint assembly is to remove it from the tractor. See instructions for removing and installing PTO quick coupler, refer to *Deck Installation on Tractor* in the **Assembly Instructions**.

| Ident No. | Location  | Lubrication Type    | No. Places |
|-----------|---|---------------------|------------|
| 1         | Deck Caster Wheel Fork Pivot                    | Grease              | 2          |
| 2         | Deck Caster Wheel Bearing                       | Grease              | 2          |
| 3         | Blade Spindle                                   | Grease <sup>Δ</sup> | 3          |
| 4         | Pivot Assembly, Tilt-Up Deck                    | Grease              | 4          |
| 5         | Deck Support Arm Socket                         | Grease              | 2          |
| 6         | Right Angle Gearbox                             | Oil* <sup>Δ</sup>   | 1          |
| 7         | Universal Joint Shaft Assembly                  | Grease**            | 1          |
| 8         | Dolly Wheel Retract Lever and Linkage           | Oil <sup>Δ</sup>    | 1          |
| 9         | Dolly Wheel Pivot                               | Grease              | 1          |
| 10        | Idler Arm Pivot                                 | Grease <sup>Δ</sup> | 1          |
| 11        | Tee Gearbox, Deck                               | Oil*                | 1          |
| 12        | Blade Drive Gearbox                             | Oil*                | 2          |
| 13        | Steering Lever Pivot                            | Grease              | 2          |
| 14        | Deck-to-PTO Coupling (Grease Spline Slide Area) | Grease              | 1          |
| 15        | Universal Joint Tube Assembly                   | Grease**            | 1          |
| 16        | Deck Support Arm Pivot                          | Grease              | 2          |
| 17        | FSC Lever Pivot                                 | Grease              | 1          |
| 18        | Body Latch Pivot                                | Oil                 | 1          |
| 19        | PTO Clutch Lever Pivot                          | Grease              | 1          |
| 20        | Transaxle Oil Reservoir                         | Oil/20W-50          | 1          |
| 21        | PTO Belt Tightener Pivot                        | Grease              | 1          |
| 22        | Clutch Actuator Push Rod                        | Grease              | 1          |
| 23        | Tail Wheel Caster Fork Pivot                    | Grease              | 2          |

| Ident No. | Location                    | Lubrication Type | No. Places |
|-----------|-----------------------------|------------------|------------|
| 24        | Rear Axle Pivot             | Grease           | 1          |
| 25        | Rear Wheel Bearing          | Grease           | 2          |
| 26        | Engine Dipstick             | Oil***           | 1          |
| 27        | Throttle Control Cable Ends | Oil              | 2          |
| 28        | Engine Oil Filler           | Oil***           | 1          |
| 29        | Parking Brake Clevis        | Oil              | 2          |
| 30        | Parking Brake Lever         | Grease           | 1          |
| 31        | Throttle Control Pivot      | Oil              | 1          |

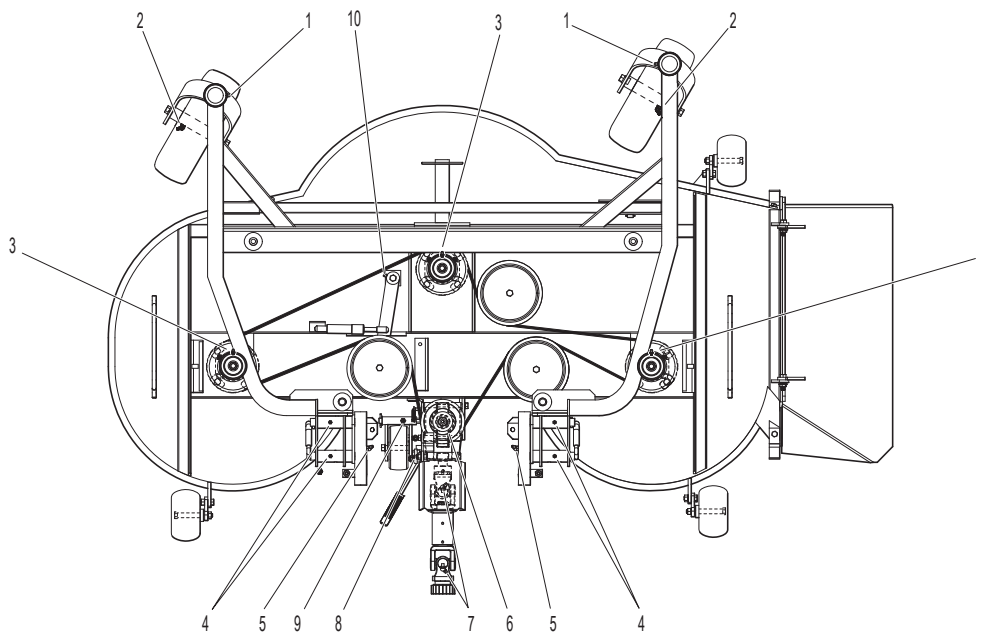
\* Gearboxes are permanently lubricated and sealed requiring no scheduled lubrication. Oil level should be checked only when an oil leak is noted.

\*\* Grease every eight (8) hours.

\*\*\* Refer to **Engine Oil** located on page 40.

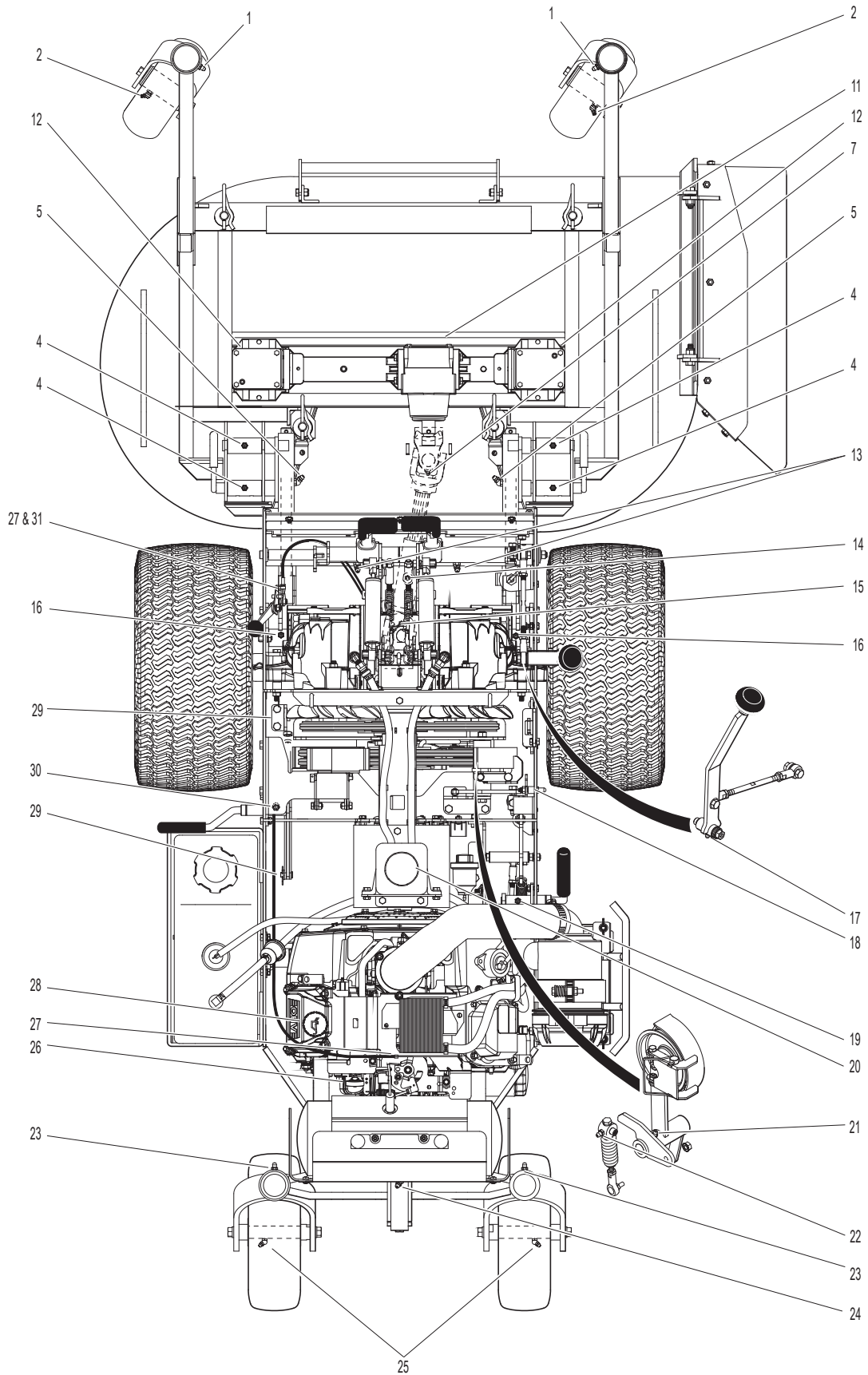
<sup>Δ</sup> Belt Driven Decks Only

**NOTE:** DSD42 and DSD52 Tilt-Up Decks are shown for reference. For other Deck Lubrication Points, refer to **Deck and Carrier Frame Illustrated Parts Manual**.



**Lubrication Points for Optional Belt Driven Decks (DSD52 Shown)**





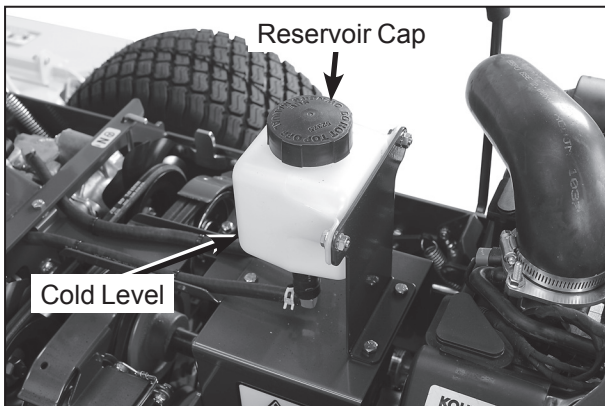
**Chassis and Deck Lubrication Points (DSD42 Shown)**

## Mower Deck Spindle Lubrication

For belt driven decks, lubricate each deck spindle grease fitting **every 25 hours**. Use SAE general purpose lithium or molybdenum base grease for grease fittings.

## Transaxle Lubrication

- The transaxle oil lubrication is SAE 20W-50 (API Service Class SL or higher) engine oil.
- Inspect both transaxle cases and hoses **after every 100 hours** of operation for visible leaks.
- The fluid level of each transaxle can be checked visually by looking at the fluid level in the expansion reservoir. When the transaxles are cold, the fluid level in the expansion reservoir should be between 1/4 in. and 1/2 in. (0.64 cm and 1.27 cm).



Expansion Reservoir Location

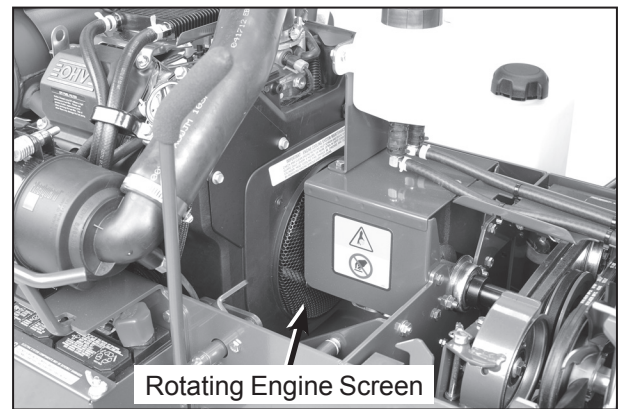
## CLEANING

### CAUTION

If a pressure washer is used on the exposed working parts, avoid water on the electrical parts and the engine cooling system.

## Engine Air Cooling System

To prevent engine overheating and possible engine damage, clean grass clippings, chaff and dirt from the rotating engine air intake screen **every 8 hours** of operation. In certain mowing conditions (dry grass, leaves, tree "cotton", etc.) it may be necessary to check and clean this area several times each day to prevent engine overheating. Also, visually check inside cylinder head shroud and between cylinder head fins for material packed in this area which would prevent cooling airflow; remove shroud and clean as required.



Keep Engine Screen Clean

### CAUTION

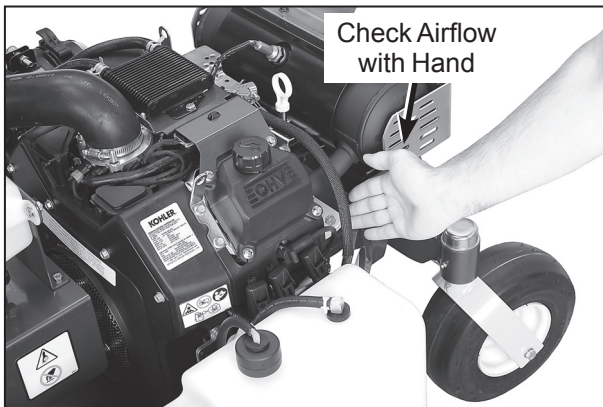
Operating the engine with a blocked air intake screen, dirty or plugged cooling fins, and/or cooling shrouds removed will cause engine damage from overheating.

## Cylinder Head Cooling Fins

It is essential for performance and longevity of the air-cooled engine to keep the cylinder head cooling fins clean and free of obstruction. After **every 8 hours** of operation, check the performance of the cooling system by starting the engine, holding a hand adjacent to the cylinder head, and feeling the cooling airflow. If there is little or no airflow, clean the cooling fins as follows:

**⚠ DANGER**

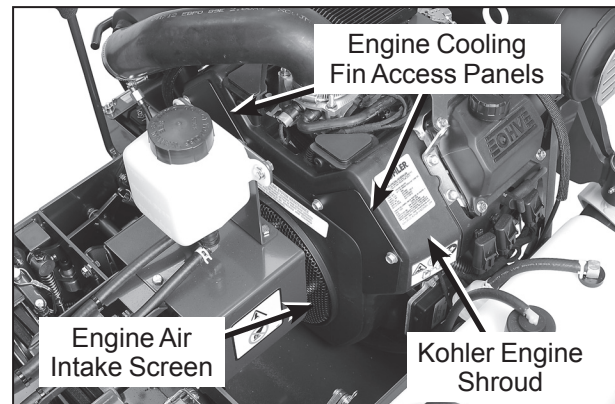
**Make sure to keep hands clear of exhaust pipe, muffler, and moving parts when checking airflow.**



### Cooling System Airflow

**Every 100 hours**, inspect and clean the cooling fins (more often when operating in extremely dusty, dirty conditions). Remove the two (2) cooling fin access panels in the engine shroud and clean the cooling fins and external surfaces using compressed air. Make sure to reinstall the access panels before operating the engine.

**IMPORTANT:** Yearly, it is good maintenance practice to remove the engine cooling shroud and clean the cylinder head cooling fins thoroughly to prevent overheating and extend engine life. Make sure cooling shroud is reinstalled properly. This procedure will require removing the engine from the chassis.



**Engine Air Intake Screen and Cooling Fin Access Panels**

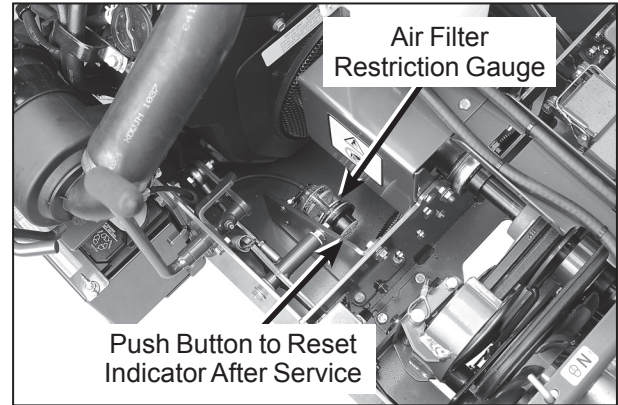
## Engine Air Cleaner System

### Cummins/Fleetguard OptiAir™ Air Cleaner

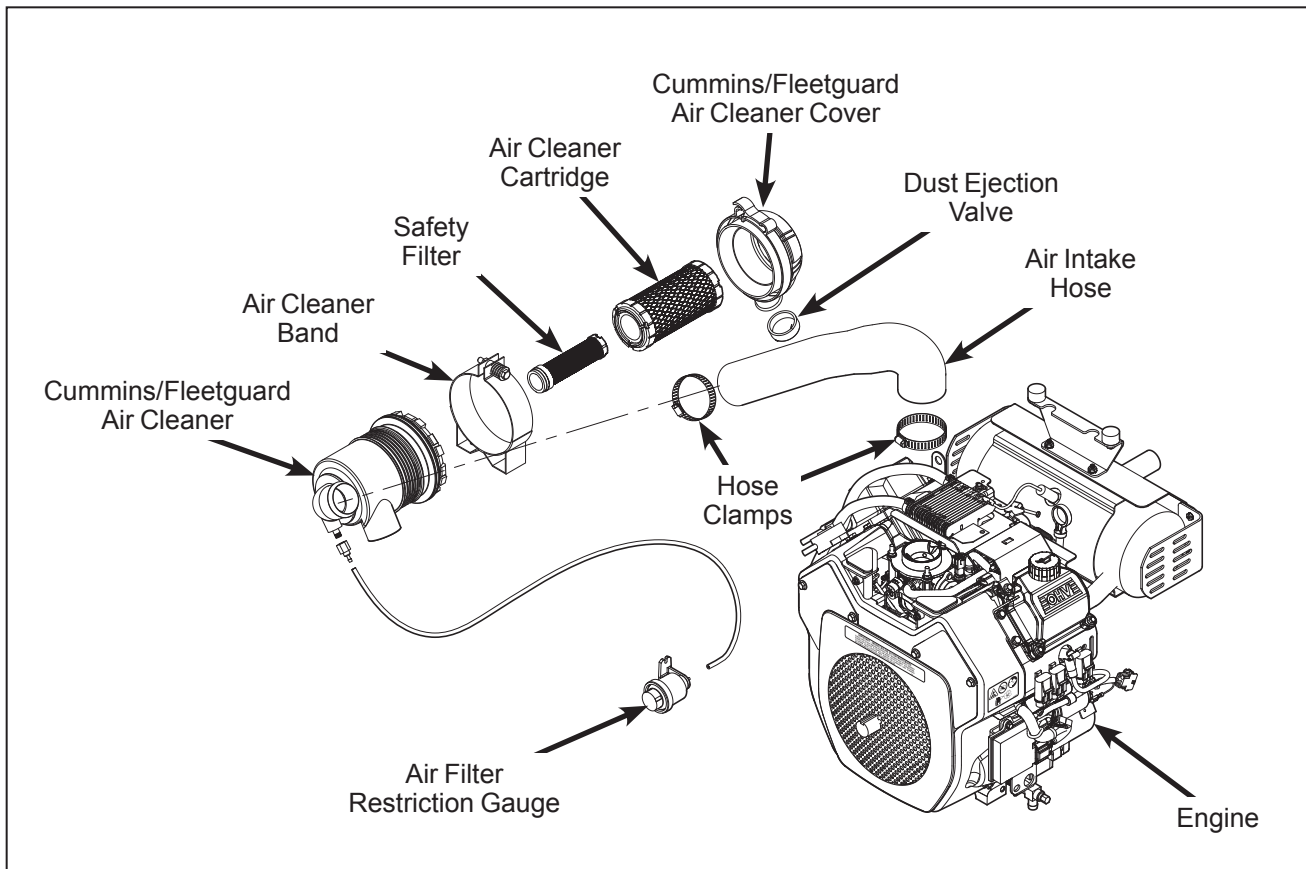
A remote mounted Cummins/Fleetguard OptiAir™ air cleaner provides the air filtering function. The paper filter element slides over an outlet tube inside the air cleaner canister with **radial** sealing action, eliminating the possibility of dust leaks due to improper filter installation. Intake design, internal baffling, and a dust ejection valve provide dust separation and automatic precleaning action. Daily or frequent servicing of the air cleaner is **not required**. Use the air filter restriction gauge on the air cleaner outlet to indicate when the air filter needs servicing -- a yellow indicator will show when the filter is overly restricting airflow into the engine.

**IMPORTANT:** Use **only** Cummins/Fleetguard air filter elements for replacement (Walker 2090-1 and 2090-3). Aftermarket filters may not seal properly or filter efficiently.

**IMPORTANT:** The Cummins/Fleetguard air cleaner uses a dry paper-type air filter element. **NEVER** apply oil to the paper element.



**Air Filter Restriction Gauge Location**



**Engine Air Cleaner System Components**



Inspect the paper element **after every 100 hours** of service and **replace** the element and safety filter **every 400 hours** (or when dirty or damaged). More frequent replacement may be required when operating in extremely dusty conditions as indicated by the air filter restriction gauge. Service the air cleaner as follows:

1. Lift Mono Latch Twist Lock™ and twist the OptiAir™ cover to the left into the “open” position to remove the air cleaner cover. Wash the cover and dust ejection valve. Check that these components are in good condition. The dust ejection valve is subject to wear and deterioration and should be inspected carefully and replaced every **2 years** or when damaged. The lips of the valve should close and fit together; any cracks, deformation, or wear in the valve is cause for replacement.
2. Remove the filter element by pulling it out of the canister. There will be some initial resistance as the filter seal breaks loose and slides off of the outlet tube. **Gently** move the end of the filter up and down and side to side or twist to loosen the seal. Use gentle action to minimize the amount of dust dislodged as the filter is removed.
3. Discard the filter element if excessive air flow restriction has been indicated by the air filter restriction gauge and proceed to Step 6. Clean the filter element by **gently tapping** on a **flat, hard surface**. If excessive restriction still exists after cleaning the element, it should be replaced.  
  
**NOTE:** Use care when cleaning the filter element. The filter element and/or seal surface may be damaged by tapping too hard or hitting on an uneven surface or sharp edge. Washing the element in water or cleaning solution is **not recommended**. Do not try to clean the element with compressed air. Remember replacing a filter is less expensive than replacing a dusted engine.
4. Use a bright light inside the element to inspect for damage. Check the element very carefully for **pin holes or other damage** that will allow dirt to leak through the paper media. Replace element if necessary.

5. Check the condition and resilience of the radial sealing surface (inside of the open end) of the filter. Replace the filter if any cracks, tears, or other damage to the sealing surface are noted.
6. Without removing, visually inspect the condition of the safety filter for damage or holes. The safety filter should only be removed for replacement every 400 hours (or when dirty or damaged).

**IMPORTANT:** Prior to removing the safety filter, make sure the inside surface of the air cleaner canister is clean. This will minimize the risk of dirt entering the outlet tube which can cause premature engine wear.

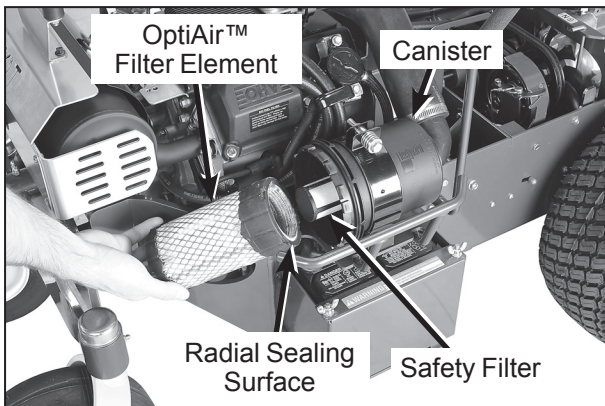
7. After removing the safety filter, use a clean, damp cloth and wipe the interior of the air cleaner canister clean. Use special care to clean **both the inside and outside** surfaces of the outlet tube.

**IMPORTANT:** Any dust left on the inside of the outlet tube will go into the engine and cause wear.

8. Check the outside surface of the outlet tube for smoothness and cleanness (this is the sealing surface).
9. Insert and seat the safety filter and OptiAir™ element carefully into the canister, applying pressure at the outer rim of the filter; not at the flexible center. Make sure the filter element is completely in place before installing the cover.

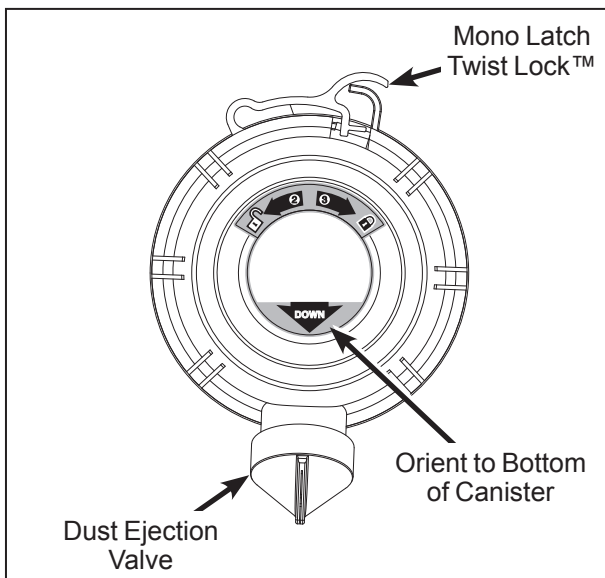
**NOTE: DO NOT** use petroleum based lubricants on the sealing surfaces of the filter; use talcum powder or dry silicone lubricants if required for filter installation.





### Air Filter Element Replacement

10. Install the cover with the word “DOWN” properly oriented to the bottom of the canister. Twist the OptiAir™ cover to the right and put into the “closed” position.



### Proper Orientation of Air Cleaner Cover

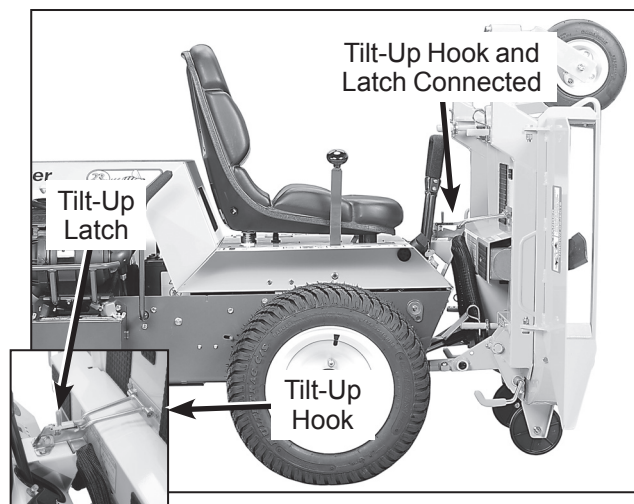
11. Check the air intake hose for cuts, nicks, cracks, etc., and the hose clamps for tightness.
12. Reset the air filter restriction gauge (press button on the end of the indicator).

### Grass Buildup in Mower Housing

**⚠ DANGER**

Before raising or removing the mower deck for cleaning, stop the engine, remove the ignition key, and disconnect the spark plug wires.

1. **Raise** the deck lock lever handle on each side of the carrier frame **and pull out** to release carrier frame for tilting action.
2. Using the carrier frame lift handle, raise deck to the **TILT-UP** position and insert the deck hook into the tilt-up latch on the tractor body.



### Deck Secured in TILT-UP Position

**⚠ DANGER**

Do not operate the mower with deck in tilt-up position. Do not move the tractor with the deck in the tilt-up position.

3. Clean grass buildup underneath the deck using a pressure washer (and scraper if required).

**NOTE:** If the buildup is severe, it may be easier to clean the deck by removing the deck assembly from the tractor and standing the deck assembly on its “nose”.

**NOTE:** While some degree of material buildup in the mower deck housing can be tolerated, a point is finally reached **where cutting quality deteriorates and clogging begins to occur** because of too much buildup on the baffling and housing.

4. Lower the deck to the normal operating position and re-engage the deck lock levers.



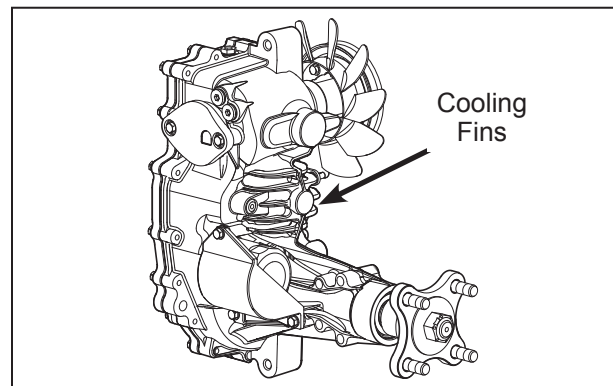
## CAUTION

**Do not operate machine with deck tilt-up pivot joint unlocked.**

## Transaxle Housing

Keeping the housing on the transaxles clean and free of obstruction is **essential to avoid overheating** the transmission fluid and shortening transmission life. The housing should be checked **every 100 hours**; and cleaned if necessary.

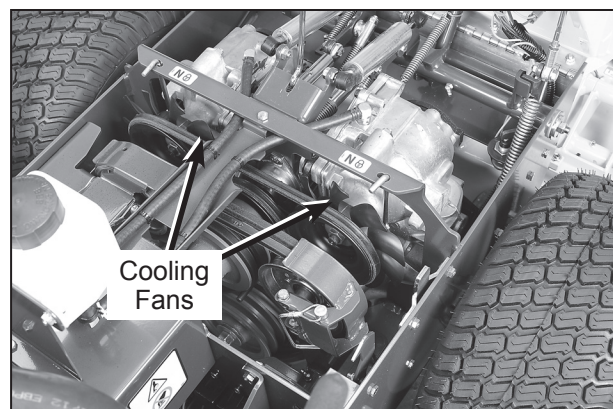
To clean the housing, use compressed air and/or a pressure washer. Pay close attention to any oily dirt build up on the transaxle housings. This may be the result of an oil leak. If an oil leak is noticed, contact your local Walker dealer.



## Transaxle Housing and Cooling Fins

**IMPORTANT:** In case an oil leak develops on the input shaft, the cooling fan blowing dusty air and oil on the transmission will **quickly** pack the cooling fins with **oily dirt**. If this condition occurs, contact your dealer immediately to avoid overheating and damaging the transaxle.

An additional procedure in maintaining transaxle cooling is to inspect the cooling fans. Replace the fan(s) if blades are missing or damaged.



## Transaxle Cooling Fans

### CHECKING/SERVICING

#### **DANGER**

To prevent accidental starting of the engine when servicing or adjusting the machine, remove the key from the ignition switch and disconnect the spark plug wires.

#### Security of Air Cleaner System

**NOTE:** The following inspection is **only an external inspection** and should be done without “**disturbing**” the filtration components.

On a daily basis, visually inspect the external condition of the complete air cleaner system. The following items should be inspected:

1. Check the Cummins/Fleetguard OptiAir™ air cleaner canister for damage. Make sure the cover is in place and the cover latch is secure - do not run the engine without the air cleaner cover in place and secure.
2. Inspect the air intake hose for cracks, nicks, cuts, etc., and check the hose clamps for tightness.
3. Check to make sure the air filter restriction gauge is in place and hose connections are secure.

#### Battery

**NOTE:** For initial battery service during setup, refer to **Battery Service** in **Assembly Instructions**.

**IMPORTANT:** Make sure battery is securely mounted in the frame. A loose battery may cause damage to the case resulting in acid leakage and severe damage to the machine. A hazard may be created by damage to critical working parts and safety systems.

#### **CAUTION**

**Important Battery Service, Installation, and Changing Tips for Electronic Fuel Injected Engines:**

- Do not allow the battery cables to touch opposing terminals. When connecting battery cables attach the positive (+) cable to positive (+) battery terminal first, followed by negative (-) cable to negative (-) battery terminal.
- Never start the engine when the cables are loose or poorly connected to the battery terminals.
- Never disconnect battery while engine is running.
- Never use a quick battery charger to start the engine.
- Never “jump start” the engine using another source. Electricity fluctuations can damage the ECU (Electronic Control Unit).
- Always disconnect negative (-) battery cable lead before charging battery, and also unplug harness from ECU before performing any welding on equipment.

#### *Electrolyte Level*

The battery electrolyte level should be checked **after every 25 hours** of operation. To check electrolyte level:

1. Remove battery cell filler caps.
2. Check the electrolyte level. If the level is below the bottom of the vent well, fill with drinking water to the bottom of the vent wells [1/4 to 1/2 in. (6 to 13 mm) above the plates].
3. Replace filler caps.

**IMPORTANT: DO NOT** overfill the battery. Electrolyte will overflow through the vented caps onto parts of the machine and **WILL** result in severe corrosion.

## Cleaning the Terminals

If battery terminals are corroded, **remove battery** from the mower. Using a wire brush, remove corrosion with a solution of **one part baking soda and four parts water**. Rinse with clean water. Coat the terminals with petroleum jelly or terminal protector spray to retard further corrosion.

## Charging the Battery



### BATTERIES PRODUCE EXPLOSIVE GASES

- Charge the battery in a well-ventilated area, so that gases produced while charging can dissipate.
- Keep sparks, flames, and smoking materials away from the battery at all times.
- Make sure the battery cap vents are open (check manifold vent on each cap).
- Make sure the battery charger is unplugged before connecting or disconnecting cables to the battery.

Check the battery charge by measuring the specific gravity of electrolyte; if specific gravity is less than 1.225, the battery will need to be charged as follows:

**IMPORTANT:** Always disconnect the negative (-) battery terminal before charging. Failure to do so can result in damage to the ECU.

1. Charge the battery at 15 amps for 10 minutes. **DO NOT** exceed 20 amps maximum recommended charging rate. Charge until specific gravity is at least 1.250. Total charging time should not exceed one (1) hour.
2. After charging the battery, use distilled water to adjust the electrolyte level to the bottom of the vent wells [1/4 to 1/2 in. (6 to 13 mm) above the plates].

## Tire Pressure

Inflate tires to pressures shown below:

- Deck Caster Wheel = 20 PSI (137 kPa)
- Drive = 15 PSI (103 kPa)
- Rear = 20 PSI (137 kPa)

## Wheel Nut Torque

Check the eight (8) Drive Tire mounting nuts. **Every 100 hours** they should each be torqued to 75 to 85 lb·ft (102 to 115 N·m).

## Sharpen Mower Blades

Check mower blade(s) for **straightness, sharpness, condition of the cutting edge**, and **balance every 10 hours** of operation (or more often when mowing abrasive type grass or operating on sandy soils). **Replace blades if worn, bent, cracked, or otherwise damaged** (refer to **REPLACING/REPAIRING the Mower Blades** in this section). Use the following procedure to check and sharpen blades:

**NOTE:** Keep blades sharp - cutting with dull blades not only yields a poor mowing job but slows the cutting speed of the mower and causes extra wear on the engine and blade drive by pulling hard.

1. Stop the engine, remove ignition key, and disconnect the spark plug wires **before** raising the mower deck to service blades.
2. Raise the deck and **secure** it in the **TILT-UP** position (refer to **Deck Secured in TILT-UP Position** photo in **CLEANING of Grass Buildup in Mower Housing** in this section).



**NEVER** operate cutter blades with the deck in the raised position.

**NOTE:** PTO shaft must be **disconnected** before checking blades for straightness.

3. Check the blades for **straightness** by marking the blade tip position inside the deck housing, and then rotating the opposite end of the blade to the same position and comparing. If the difference in blade tip track is **more than 1/8 in. (3 mm)**, the blade is bent and **should be replaced**.

**! WARNING**

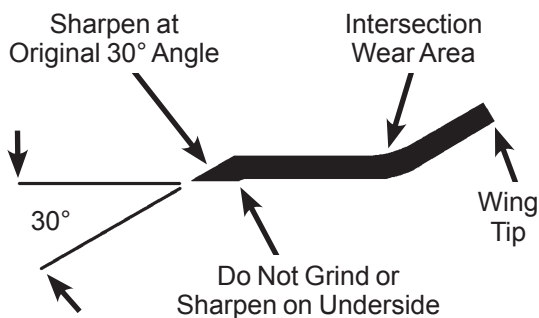
**DO NOT** try to straighten a blade that is bent. **NEVER** weld a broken or cracked blade. **ALWAYS** replace with a new blade to assure safety.

- If the blade cutting edge is **dull or nicked**, it should be sharpened. Remove blades for sharpening by grasping the end of the blade using a rag or a thick, padded glove, while loosening and removing the nut, lock washer, and flat washer that mounts the blade.
- Grind cutting edge at the same bevel as the original. Sharpen only the top of the cutting edge to maintain sharpness.

**NOTE:** Blades can be sharpened with an electric blade sharpener, conventional electric grinder, or a hand file.

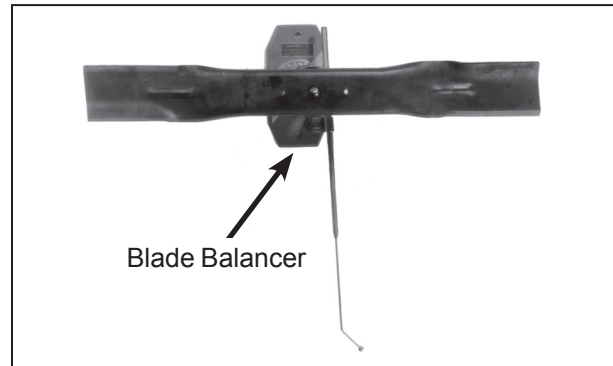
**! CAUTION**

**ALWAYS** wear eye protection and gloves when sharpening a blade.



**Mower Blade Profile For Sharpening**

- Check blade balance by positioning the blade **horizontally** on a blade balancer or use a nail or shaft through the center hole. If either end of the blade rotates downward, grind (remove) metal on that end until the blade will balance. The blade is properly balanced when neither end drops. Balance of a blade is generally maintained by removing an equal amount of material from each end of the blade when sharpening.



**Blade Balanced on Magnetic Wall-Mounted Balancer**

- Mount the blade with wing tips pointing up into the housing. For **gear driven decks** reinstall the blade, washer, lock washer, and nut. **Tighten the nut to 60 lb-ft (81 N·m)**. For **belt driven decks** reinstall the spacer (if applicable), blade, washer, and bolt. **Tighten the bolt to 70 lb-ft (90 N·m)**.

### Drive Belts

Raise the body and inspect the condition of the three (3) drive belts after **every 25 hours** of operation -- engine/PTO drive and ground drive. If the belts show **signs of cracking or deteriorating**, the belts should be **replaced**. Refer to **REPLACING/REPAIRING the Drive Belts** in this section.

### Mower Deck Gearbox Oil Seals

The mower deck gearbox seals should be inspected **every 25 hours** for evidence of oil leaking; **particularly the lower oil seal on the blade drive gearbox**. This seal is protected by the trash guard on the blade hub and seal protector plate on the housing, but is still vulnerable to seal damage due to operating in an adverse environment. The mower blade must be removed for inspection of the seal, so it is recommended to **inspect the gearbox seals when blades are removed for sharpening**. If an oil leak is noted, the seal should be replaced and the gearbox assembly relubricated. Refer to **LUBRICATION for Mower Deck Gearbox Lubrication** in this section.



### Spark Plugs

**Every 100 hours**, remove the spark plugs, inspect, clean, and reset the gap (or replace with a **new plug**). Clean spark plug with a wire brush. If the electrodes are burned short or pitted, replace the plug (refer to **Specifications** for the proper type of replacement plug). Check the spark plug gap with a wire-type feeler gauge and set the gap between 0.028 and 0.032 in. (0.7 and 0.8 mm). Reinstall and tighten to 17 lb·ft (23.0 N·m). Both spark plugs should be replaced yearly.

### Ignition Wires

Good preventive maintenance calls for complete **replacement** of spark plug wires **every two (2) years**.

### Fuel Lines and Clamps

**NOTE:** The fuel system after the fuel pump module is pressurized and should only be serviced by a Walker dealer or authorized Kohler service dealer.

**Every year**, inspect the fuel supply line from the tank to engine for deterioration or damage. Also, inspect the fuel line **clamps for tightness**. Good preventive maintenance calls for complete **replacement** of fuel lines and clamps **every two (2) years**.

### Blade Brake Action



#### **WARNING**

**It is important to check and maintain blade brake action for safe operation of the machine.**

Check the function of the cutter blade brake by engaging the blade clutch (PTO), operating the engine at full throttle, then disengaging the clutch and measuring how quickly the blades stop. Watch the rotation of the blade drive shaft as a visual indication that movement has stopped. If the brake is **working properly, all rotation will stop five (5) seconds after disengagement** of the clutch. If the brake system malfunctions - blades do not stop in five (5) seconds - adjust or repair the brake before operating the mower. Refer to **ADJUSTMENTS** for *Clutch Disengagement/Brake Action, Step 2 - Blade Brake Band Adjustment*, on page 69.

### PTO U-Joints

The PTO U-joints should be inspected **yearly** for looseness and wear. If either is noticed, the respective shaft or tube should be replaced. A worn U-joint can cause vibration and extensive damage to the PTO and the whole machine.

### Engine Starter

**Yearly or every 500 hours** disassemble and clean the solenoid shift starter. Refer to the Kohler Service Manual for this procedure or contact an authorized Kohler engine dealer to perform this service.

### Safety Switch System



#### **WARNING**

**It is important to check and maintain the safety switch system for safe operation of the machine.**

There are three (3) safety interlock switches on the tractor; Seat Switch, FSC Neutral - Park Switch, and PTO Switch.

If any of the following conditions occur during starting or operating, a safety interlock switch may be malfunctioning. Contact your Walker dealer for troubleshooting and/or replacement.

- With or without an operator in the seat, the engine starts with the Forward Speed Control (FSC) and/or the PTO engaged.
- With an operator in the seat, the engine starts but dies soon after the Forward Speed Control (FSC) or PTO is engaged.
- **Without** an operator in the seat, the engine continues to run with the Forward Speed Control (FSC) and/or PTO engaged.
- With an operator in the seat, the Forward Speed Control (FSC) and PTO disengaged, and the Oil Pressure Warning Horn sounding, the starter will not engage.

## Forward Speed Control Friction Lock

The FSC friction lock is designed to **hold the selected forward travel speed** when the steering levers are moved and yet the friction is not too heavy to make **moving the FSC control** difficult (too much friction). The procedure for checking the FSC friction lock is as follows:

1. Place the FSC in the full **FORWARD** position and pull both steering levers back; the FSC lever should not move. If the FSC lever moves back when the steering levers are pulled back, the **friction needs to be increased**.
2. With the steering levers held back, move the FSC lever back from the **FORWARD** position. With a proper amount of friction adjusted, the FSC lever should move back with a slight amount of resistance (friction). If the FSC lever movement is "stiff", the **friction needs to be decreased**.

If the FSC friction lock needs to be adjusted, refer to **ADJUSTMENTS** for **Step 7 - Forward Speed Control Friction Adjustment** in this section.

## REPLACING/REPAIRING



**To prevent accidental starting of the engine when replacing parts or repairing the machine, remove the key from the ignition switch and disconnect the spark plug wires.**

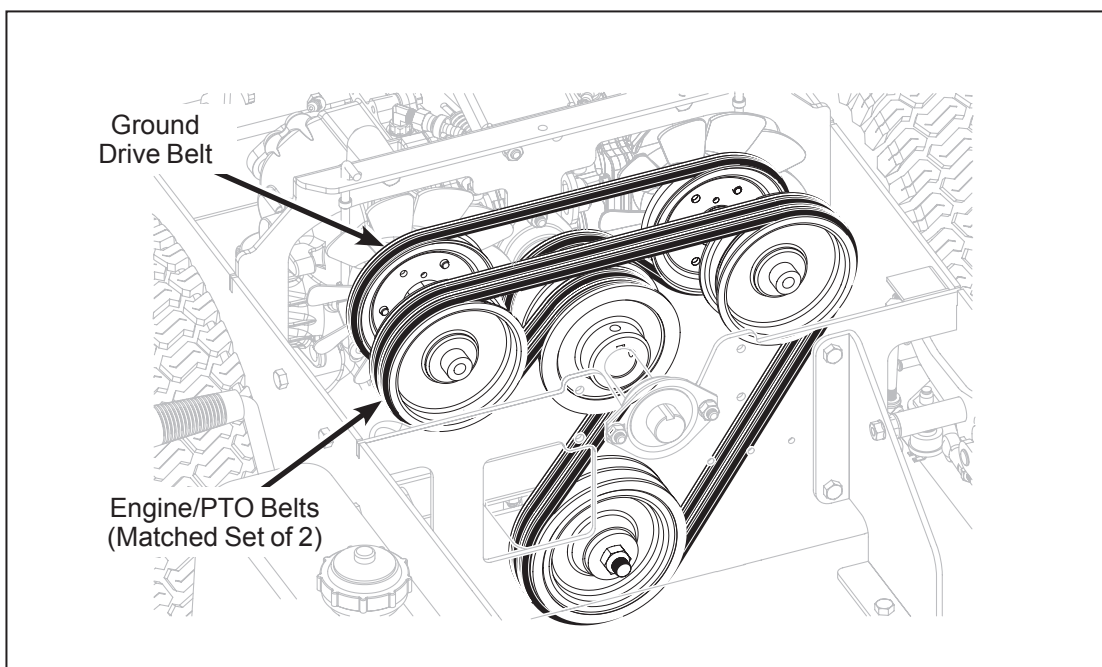
**IMPORTANT: ALWAYS** use genuine factory replacement parts. Substitute parts **CAN** result in product malfunction and possible injury to the operator and/or others.

## Drive Belts

There are **three (3) individual belts** on the machine:

- Engine/PTO Belt (Matched Set of 2)
- Ground Drive Belt

The belts may be removed and replaced using the **procedures described on the following pages**.



**Belt Locations**

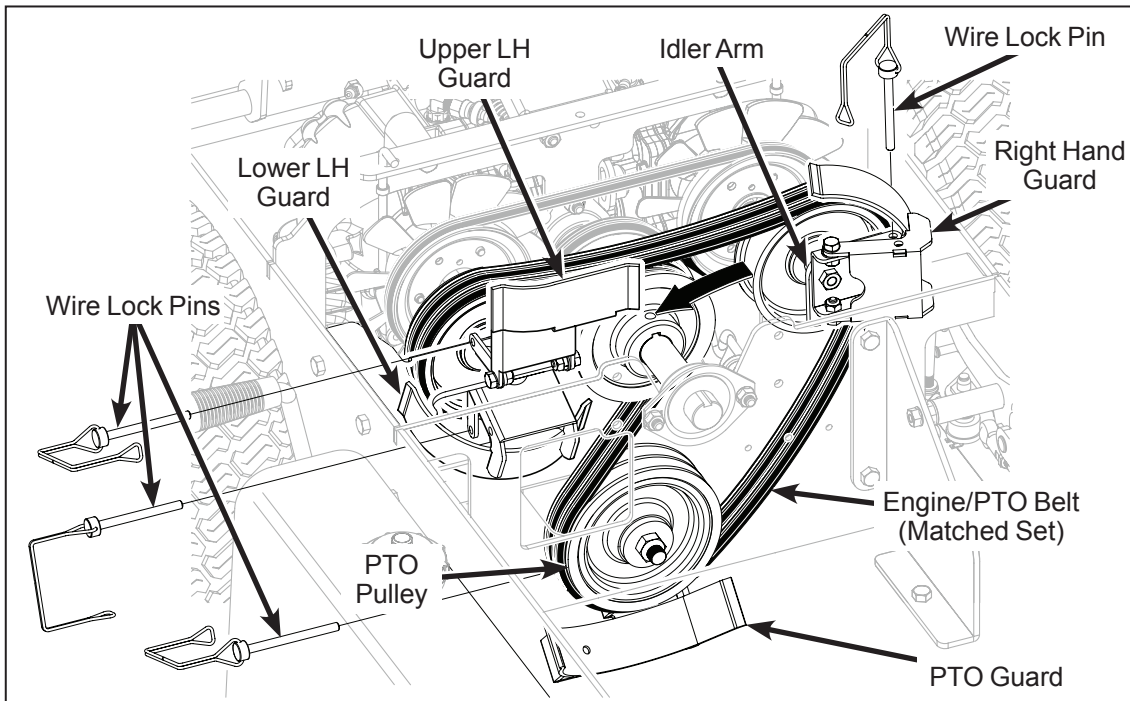
## Engine/PTO Belt

### 1. To remove an engine/PTO belt:

- a. Remove wire lock pins (4), open belt guards.

- b. Relax belt by depressing idler arm.

- c. Roll the belt off the pulley and remove the belt.

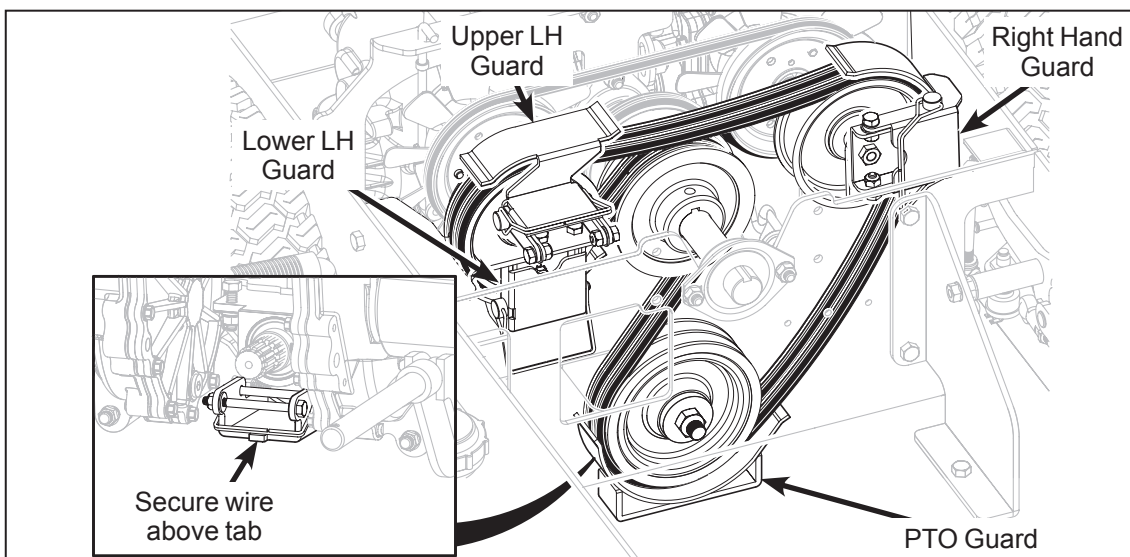


**Engine/PTO Belt (Belt Guards Open) (Engine Hidden for Clarity)**

### 2. To replace an engine/PTO belt:

- a. Reverse the removal procedure to replace an engine/PTO belt.

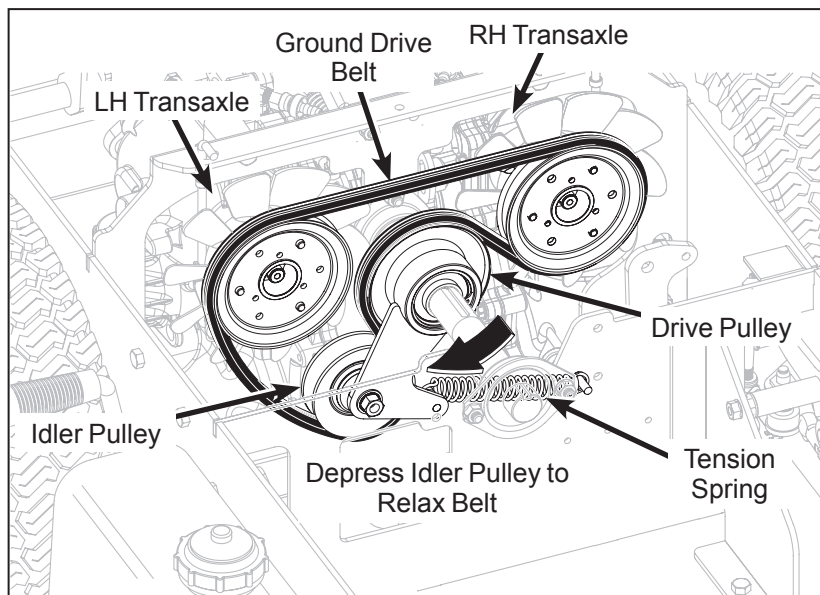
- b. Secure wire on lock pin above tab on lower PTO guard.



**Engine/PTO Belt (Belt Guards Closed) (Engine Hidden for Clarity)**

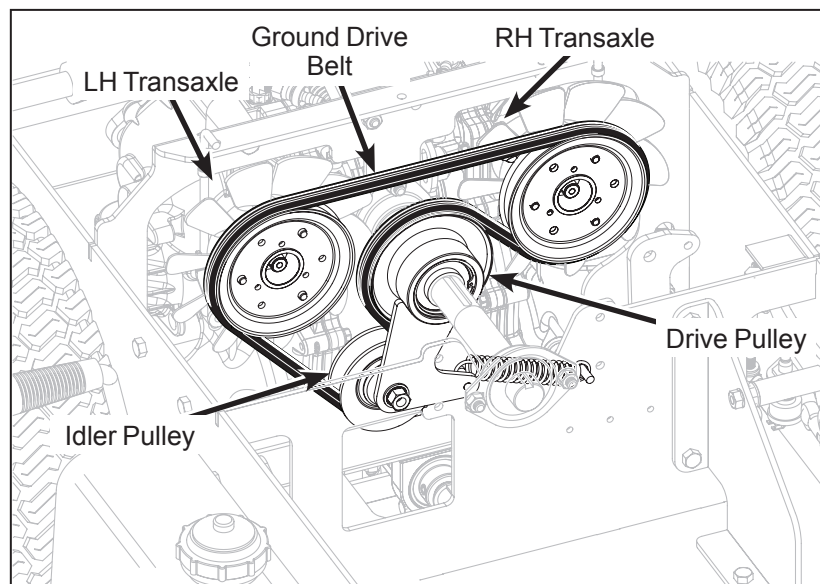
## Ground Drive Belt

1. To remove the ground drive belt:
  - a. Depress the spring-loaded idler to relax belt.
  - b. Slide belt off pulleys, then release the idler.



**Ground Drive Belt Assembly (Disengaged)**

2. Reverse the procedure to install the ground drive belt.



**Ground Drive Belt Assembly (Engaged)**

## Fuel Filter



Gasoline is extremely flammable and can be highly explosive. To minimize danger:

- Before servicing the fuel system:

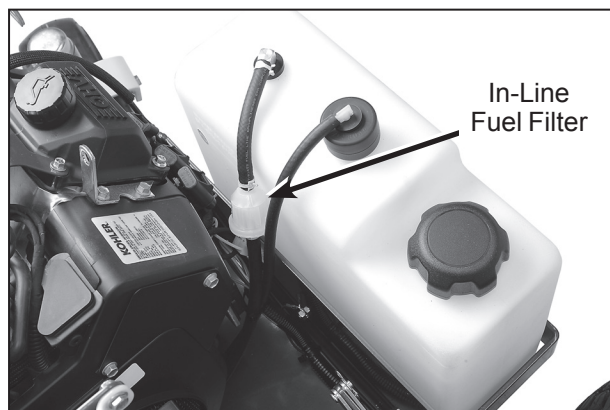
- 1) Disconnect the spark plug leads.
- 2) Disconnect the negative (-) battery cable from battery.

- Use only an approved fuel container for gasoline.

- DO NOT allow open flames or sparks near the machine while performing maintenance or refueling; DO NOT smoke while working with fuel.

- Wipe up spilled gasoline immediately and completely.

Model MBK23 is equipped with a 10 micron in-line fuel filter between the fuel tank and the fuel pump module. Replacement of this filter is recommended **every 200 hours** of operation or more frequently under extremely dusty or dirty conditions.



Fuel Filter Location

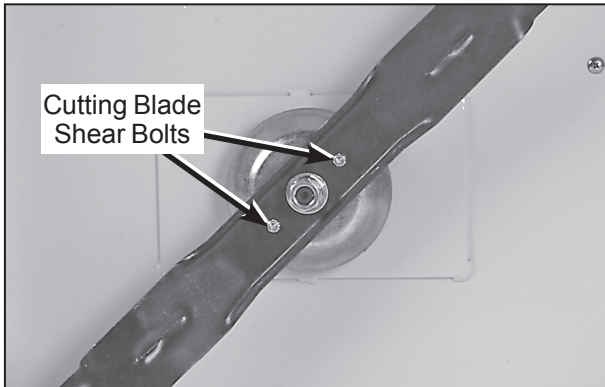
**IMPORTANT:** Replace the fuel filter only in a clean area where the fuel line and connections will not be contaminated by any dust and dirt.

1. Expand and slide clamps on either side of the filter away from filter and pull fuel lines off filter.
2. Replace filter, making sure that the arrow on the filter is aligned with the fuel flow through the filter.
3. Verify that the fuel lines and clamps are securely attached, and that no fuel leaks are present.



## Blade Overload Shear Bolts

On gear driven decks each cutting blade is keyed to a blade hub by **two (2) shear bolts** (10-24 x 5/8 in. stainless steel machine screws). These bolts are designed to shear and protect the blade drive gearbox from damage if the blade encounters a shock load.



**Cutting Blade Shear Bolts**

**NOTE:** Tightening the **5/8-18 blade mounting nut to 60 lb-ft (81 N·m)** is also important for proper shock load protection. It is important to **not over-tighten** the mounting nut since this defeats (overrides) the function of the shear bolts.

If these bolts shear, remove the blade and install new bolts. Refer to **CHECKING/SERVICING** in this section for **Sharpen Mower Blades** which describes the blade removal and installation procedure.

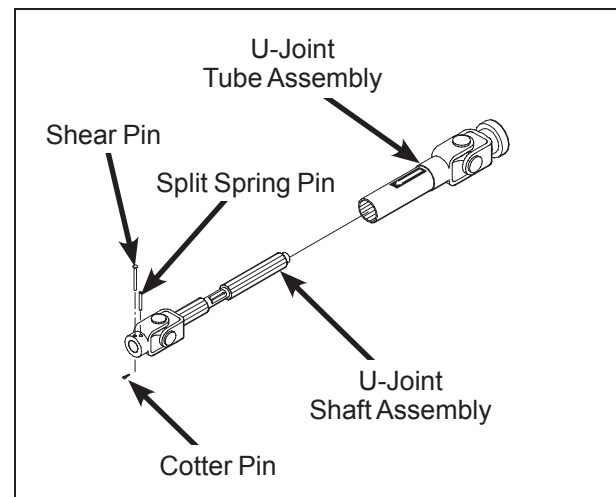
After reinstalling the blade, check blade timing (on gear driven decks) by moving blades through **one (1) complete revolution**. Make sure blade tips pass clear of each other. If timing is incorrect, contact your Walker dealer.

## PTO Shear Pin

The PTO drive shaft connection to the deck gearbox has a shear pin to provide shock load protection to the mower deck drive. This system provides **primary shock protection** in case of blade impact and will normally shear before the individual shear bolts on the blade hub.

When the PTO pin has sheared, use the following procedure to replace it:

1. Loosen the two bolts securing the PTO shaft guard on the deck; lift the guard off. (Holes in guard are slotted for easy removal.)
2. Rotate U-joint on shaft to align the shear pin hole with the hole (and shear pin fragment) in the shaft. Use a punch to drive the remaining portion of the old shear pin out.
3. Install new shear pin and secure with cotter pin.



**PTO Shear Pin**

**IMPORTANT:** Use only Walker P/N 8067-13 shear pins for replacement to provide proper shock protection -- these pins are hardened to shear under a specific amount of load.

4. Reinstall the PTO shaft guard.

Before operating the deck, inspect the blade overload shear bolts and also check blade timing (on gear driven decks) by moving blades through **one (1) complete revolution**. Make sure blade tips pass clear of each other. If timing is incorrect, contact your Walker dealer.

## Mower Blades

Mower blades are removed and remounted as described in **Sharpen Mower Blades** instructions. During the course of sharpening and inspecting mower blades, if there are **any of the following conditions of wear or damage, blades should be replaced** for reasons of safety and performance of the machine:

- An excessive amount of the **flat section** of the blade has been **ground away** (removed) when the blade is sharpened. Replace the blade **when less than a 3/4 in. (19 mm) flat section remains** at the blade tip.
- Examine ends of the blade carefully, especially the intersection where the flat section of the blade turns up to form the “wing tip” (refer to **Mower Blade Profile for Sharpening** illustration in **Sharpen Mower Blades** instructions). Since sand and abrasive material can wear metal away in this area, the blade should be **replaced when metal thickness has worn to 1/16 in. (1.6 mm) or less.**

### **DANGER**

**When blades are operated over sandy soil, and if blades are allowed to wear, a “slot” may be worn into the wing tip of blade. Eventually a piece of the blade may break off creating a serious potential for injury or damage.**

- Check the blades for **straightness** by marking blade tip position inside the deck housing and then rotating the opposite end of the blade to the same position and comparing. If the difference in blade tip track is **more than 1/8 in. (3 mm)**, the blade is bent and **should be replaced.**
- Inspect the blade surface, especially in formed areas, for **cracks**. Replace the blade if any cracks are found.

### **WARNING**

**DO NOT try to straighten a blade that is bent. NEVER weld a broken or cracked blade. ALWAYS replace with a new blade to assure safety.**

Reinstall the blades following procedure from **Sharpen Mower Blades** instructions. If blades are replaced, always use **Walker original equipment blades** to ensure safety and optimum performance. The quality and performance of **replacement blades offered by other manufacturers** cannot be guaranteed, they **could be dangerous.**

### **CAUTION**

**ALWAYS use genuine factory replacement parts. Substitute parts CAN result in product malfunction and possible injury to the operator.**

## ADJUSTMENTS

### Transmission Control

**IMPORTANT:** The proper adjustment of the transaxle control stops is **essential** for efficient operation and life of the transaxle. These stops are properly adjusted at the factory and should only require readjustment if the transaxle or related control linkage is removed or changed.

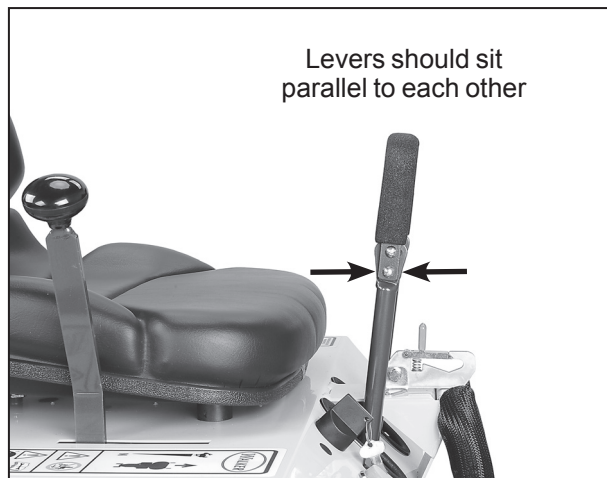
**NOTE:** It would not be unusual for a new machine, after the initial 5 or 10 hours of operation, to begin to not travel straight (this is due to the break-in of the transaxles). To fine tune tracking, refer to **Step 5 - Straight Tracking Adjustment** in this section.

#### Step 1 - Steering Lever Position Adjustment

**NOTE:** For proper operation, the steering levers should be adjusted to sit evenly using the following procedure.

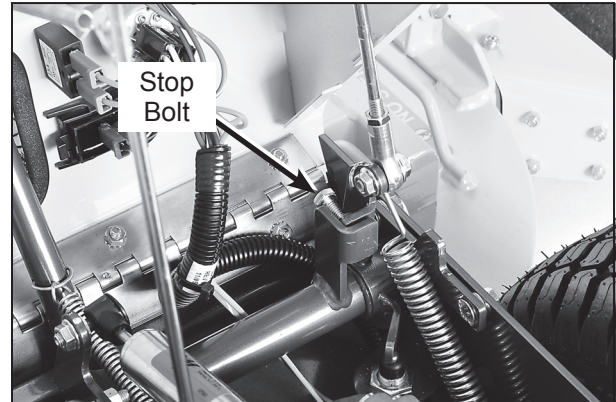
1. Examine the steering levers to make sure they are **parallel front to back** in relation to one another. If they are not equal, adjust accordingly. (The handles may or may not be even at this point.)

**NOTE:** The LH steering lever is **non-adjustable**. This procedure will require adjustment of the RH lever to make it even with the LH lever.



**Lever Alignment**

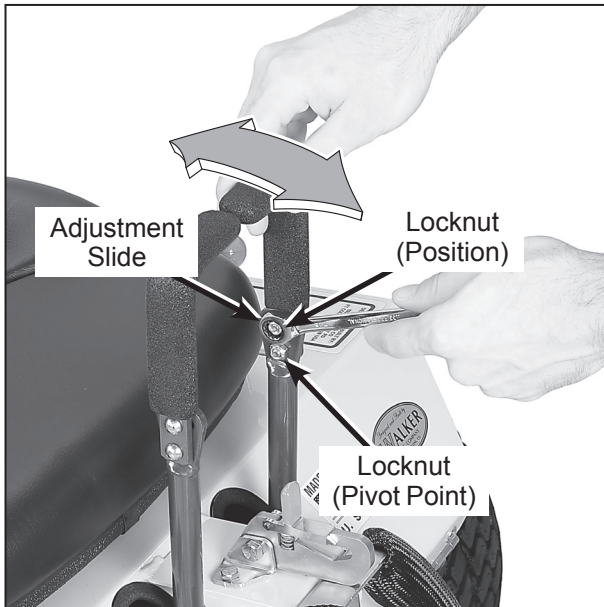
2. Adjust the position of the RH lever by turning the stop bolt in the Speed Control Actuator in or out. Turning the stop bolt in will make the RH lever move back, and turning it out will make it move forward. Tighten the locknut.



**Stop Bolt Location**

## Step 2 - Steering Handles Adjustment

1. An adjustment range of approximately 3 in. (76.2 mm) is available on the steering handles - the handles can be adjusted forward or aft depending on the arm length of the operator. The handles can be adjusted by loosening the locknut at the pivot point and the locknut holding the handle in position in the adjustment slide. Adjust the handles into the most comfortable position and tighten both locknuts.



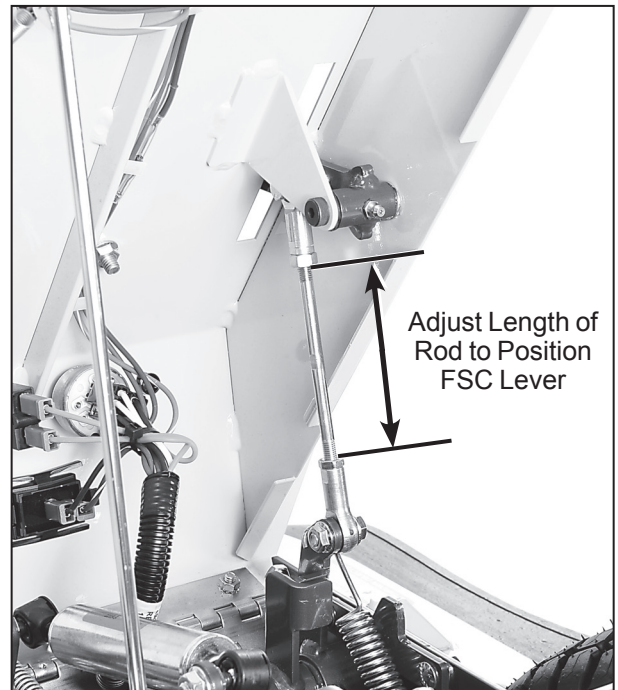
**Steering Handles Adjustment**

## Step 3 - Neutral Position Adjustment

1. With the Forward Speed Control (FSC) in **NEUTRAL-PARK**, the lever should be straight up. Adjust by loosening the jam nuts on the FSC Rod and turn the rod to attain the straight up position. Tighten the jam nuts.



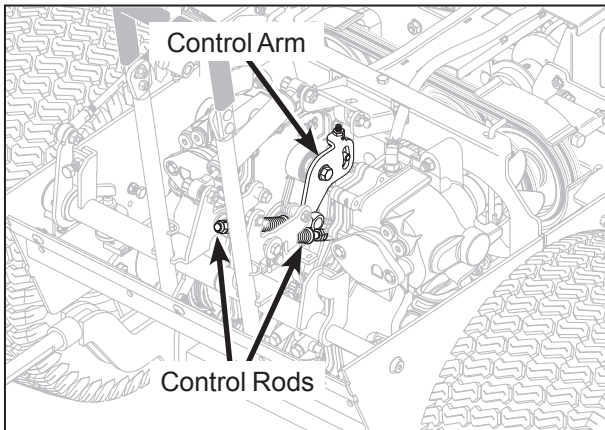
**FSC Position**



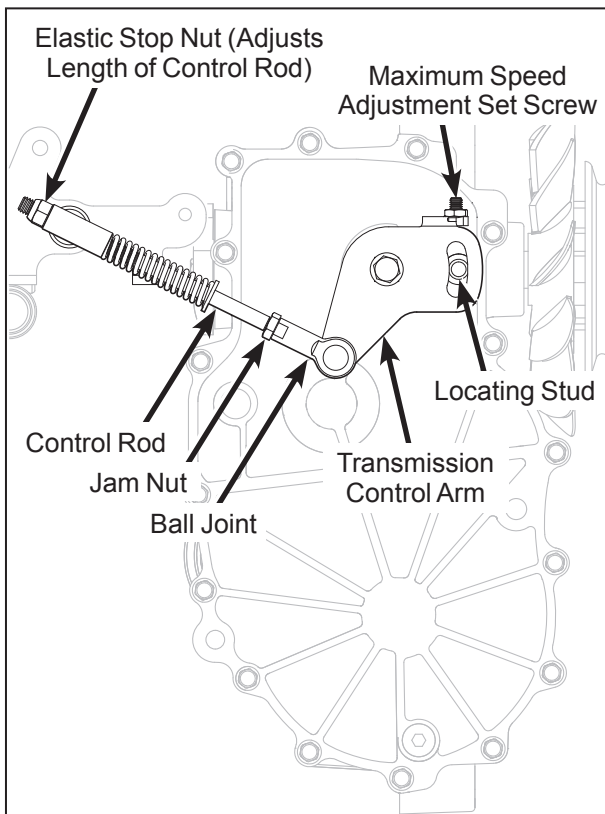
**FSC Lever Position Adjustment**



- Securely block the tractor up so the drive tires are off the ground.
- Adjust the elastic stop nuts at the front of both control rods so that 2 or 3 threads are visible, then loosen the jam nuts on the ball joints at the back of the control rods.



**Transmission Control Rod and Arm Location  
(Front Body Hidden for Clarity)**



**Tracking Adjustment Components**

**WARNING**

The following adjustments are made with the engine running. Keep all body parts and tools away from rotating and hot components, and secure all loose clothing.

- With the body lowered and the FSC in **NEUTRAL-PARK**, start the engine. With the engine at normal operating speed, check for movement of the drive wheels.

- Lift the body to access the steering adjustment components.

**NOTE:** It may be necessary to tighten the FSC friction adjustment if the transmissions are moved out of neutral when the body is raised. Refer to **Step 7 - Forward Speed Control Friction Adjustment** later in this section for location of the FSC friction adjustment nut.

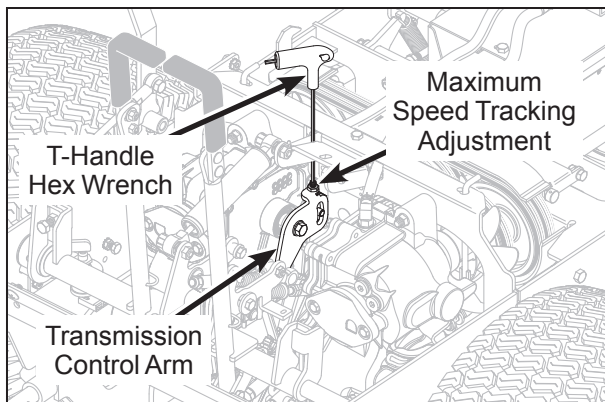
- Using a wrench on one elastic stop nut, rotate the control rod **clockwise** just until the wheel on that side begins **to move forward**. Then, counting the turns required, rotate the control rod **counterclockwise** just until the wheel stops and then begins **to move in reverse**. Rotate the control rod back clockwise half the number of turns required to make the wheel go from moving forward to reverse. The transmission is now centered in the neutral window. Tighten the jam nut on the ball joint and repeat the same procedure on the other transmission.

- Turn off the engine, and then lower the drive tires onto the ground.



## Step 4 - Full Forward Speed Adjustment

1. Move the FSC to the full **FORWARD** speed position.
2. Raise the body. The set screws in the left and right Transmission Control Arms should not be contacting the locating stud in the transaxle. If they are, back the set screws out until they do not touch.



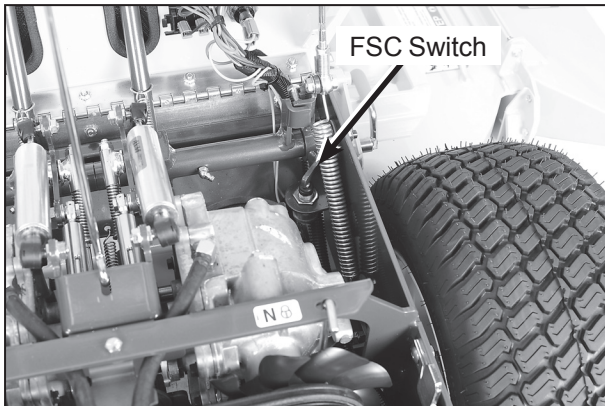
**Maximum Speed Tracking Adjustment  
(Shown with Parts Removed for Clarity)**

## Step 5 - Straight Tracking Adjustment

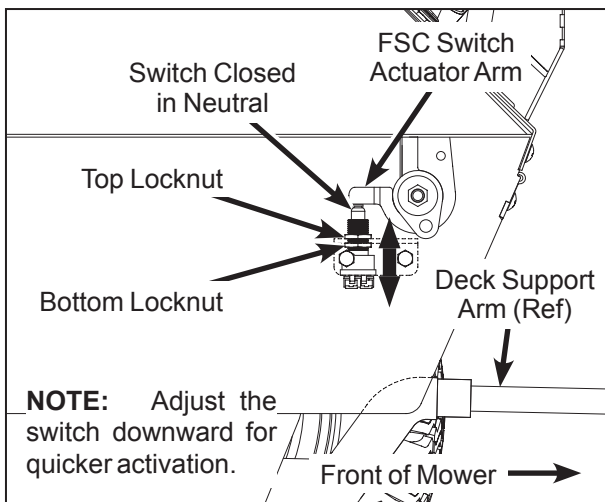
1. Sit in the seat, start the engine, set throttle at full speed, and with the FSC in the **NEUTRAL-PARK** position check for movement of either drive wheel (if either wheel moves backward or forward, refer to **Step 3 - Neutral Position Adjustment** and readjust).
2. Check for straight ground tracking on a level surface (with hands off the steering levers). Set the FSC at several different speeds and observe if the mower moves in a straight line (use cement joint or other line on ground for reference).
3. If travel is not straight, shorten the control rod on the slow side by turning the adjuster nut clockwise. If straight tracking and neutral can not be achieved, turn adjuster nut counterclockwise until neutral can be achieved.
4. Lengthen the control rod of the faster side by turning the adjuster nut counterclockwise to match the slower side while maintaining the neutral position.
5. If the forward travel is straight throughout the speed range, except at maximum speed - place the FSC in full **FORWARD**, turn the set screw in the Transmission Control Arm, of the faster side, in until it contacts the hydro stud. (Turning the set screw in slows the wheel.) **Turn the set screw in an additional 1/8 turn.** Recheck for equal full forward speed. Adjust this set screw until equal full forward speed is achieved. Tighten the jam nut.

## Step 6 - FSC Neutral Switch Adjustment

1. Place the FSC in **NEUTRAL-PARK** position. Loosen the bottom locknut and adjust switch body up with top locknut until the switch contacts open. Turn the locknut an additional 1 turn. Tighten bottom locknut.



**FSC Neutral Switch Location**

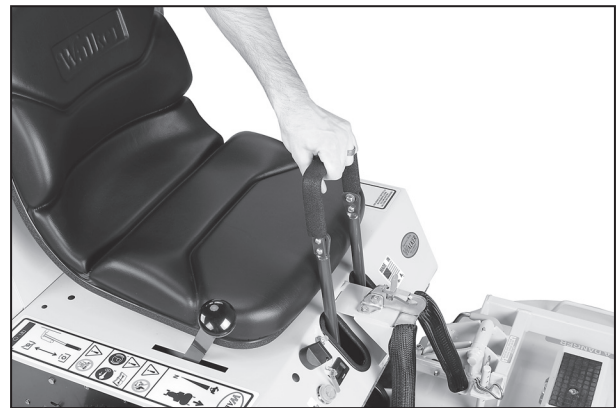


**FSC Neutral Switch Adjustment  
(Side View Through Chassis)**

**IMPORTANT:** Disconnect spark plug wires to prevent the engine from starting when testing operation of the FSC Neutral Switch.

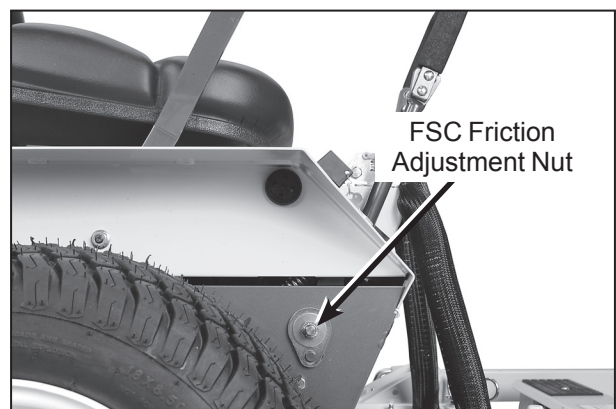
2. Check operation of the FSC Neutral Switch by placing the FSC lever fully forward, then holding the ignition switch in the **START** position. Slowly move the FSC lever back towards the **NEUTRAL-PARK** position until the starter motor engages and note the position of the of the FSC lever. The FSC lever should be within 1/8 in. of the **NEUTRAL-PARK** position. If this distance is greater than 1/8 in. the FSC Neutral Switch needs to be adjusted downward for quicker activation.

## Step 7 - Forward Speed Control Friction Adjustment



**FSC Position With Levers**

1. Place the FSC in the full **FORWARD** position and pull both steering levers back; the FSC lever should not move. If the FSC lever moves back the **friction needs to be increased**.
2. With the steering levers held back, move the FSC lever back from the **FORWARD** position. With a proper amount of friction adjusted, the FSC lever should move back with a slight amount of resistance (friction). If the FSC lever movement is "stiff", the **friction needs to be decreased**.
3. The FSC friction is **increased** or **decreased** by **tightening** or **loosening** the **friction adjustment nut**. Loosen or tighten the nut and check the control function until the conditions of both steps 1 and 2 (above) are met.



**FSC Adjustment Friction Nut**

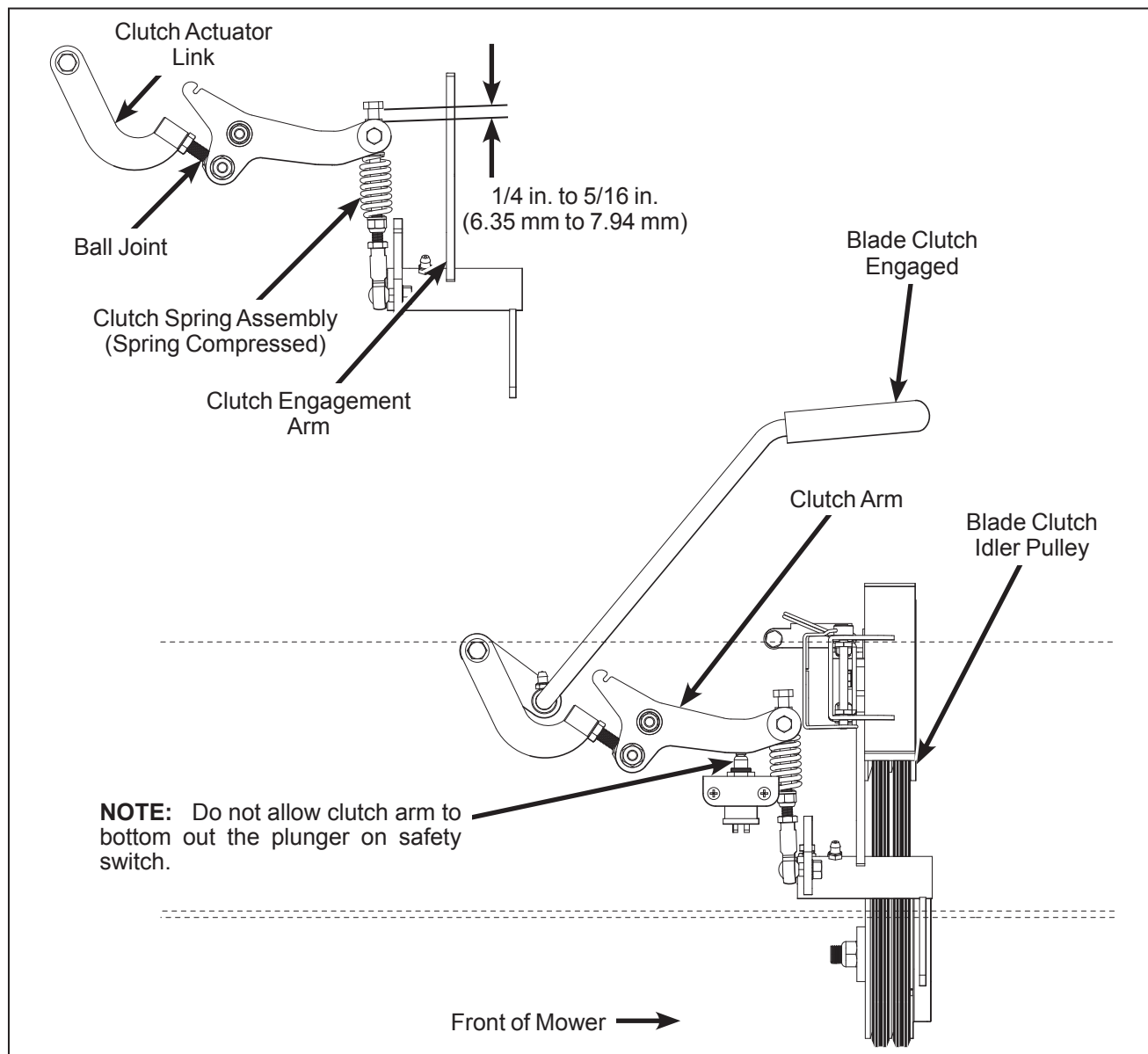
## Blade Clutch (PTO)

### Clutch Engagement/Belt Tension

The clutch engagement and PTO belt tension are adjusted using the clutch actuator link. After installing new PTO belts, **after 10 hours and every 100 hours** thereafter, check and adjust for the clutch spring assembly bolt head dimension as shown in the **PTO Clutch Engaged** illustration. If the clutch actuator link or clutch spring assembly have been disassembled, first reset them to their factory preset lengths (as shown in the **PTO Clutch Disengaged** illustration) and then proceed with adjustment as follows.

Adjust the length of the clutch actuator link to achieve a clutch spring assembly bolt head clearance of 1/4 in. to 5/16 in. (6.35 mm to 7.94 mm) with the clutch engaged. To adjust length: remove ball joint from clutch arm and **shorten** the clutch actuator link to **increase** this measurement, or **lengthen** the clutch actuator link to **decrease** this measurement. If adjustments are needed more frequently than every 100 hours to maintain dimensions, it may suggest problems with pulley wear or belt misalignment.

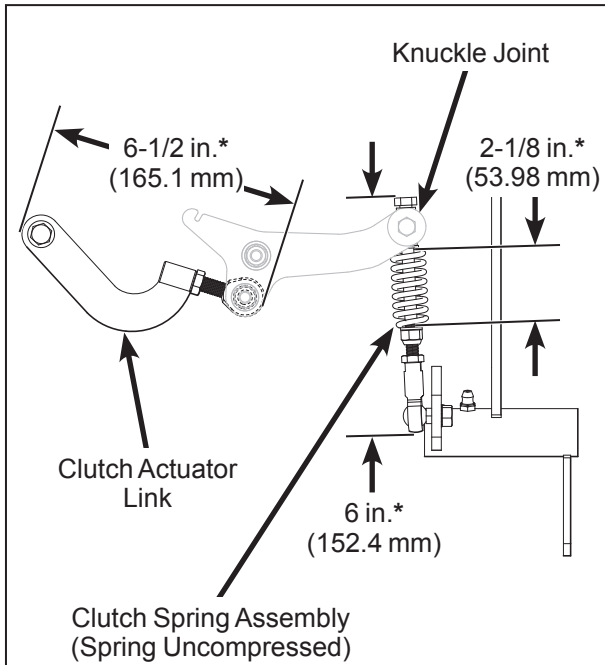
**NOTE:** Do not allow clutch arm to bottom out the plunger on safety switch. Adjust switch down if condition exists.



**NOTE:** Do not allow clutch arm to bottom out the plunger on safety switch.

Front of Mower →

**PTO Clutch Engaged**



**\*NOTE:** Factory preset dimensions. Reset to these dimensions prior to adjustment if components have been disassembled.

### PTO Clutch Disengaged

#### Clutch Disengagement/Brake Action

### **WARNING**

**It is important to check and maintain blade brake action for safe operation of the machine.**

The **declutched or disengaged position** of the blade clutch idler pulley is adjustable and is set to give belt release **without excessive slack** and to apply the blade brake. The blade brake is activated by the brake band connected to the clutch engagement arm. The brake is designed to stop the blades within five (5) seconds after disengaging the clutch.

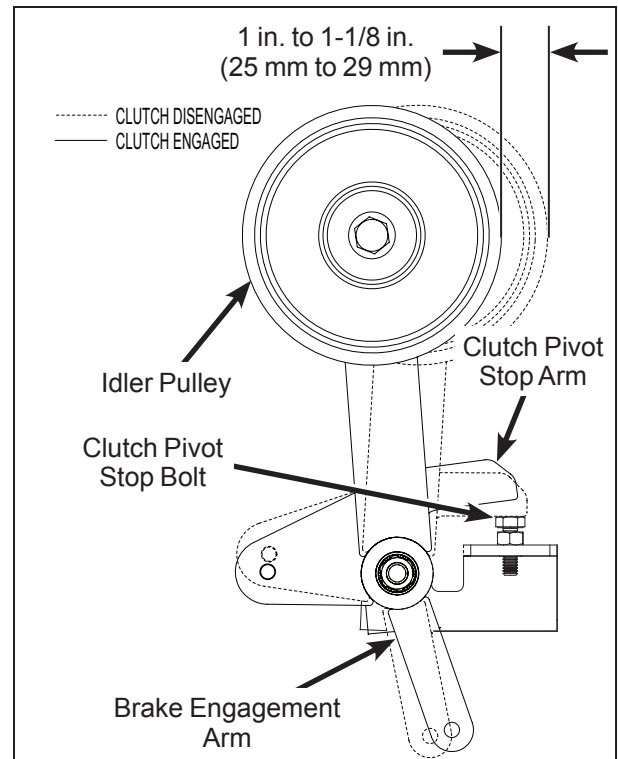
Use the following procedures to check and adjust clutch disengagement and brake action:

#### Step 1 - Idler Pulley Maximum Travel Adjustment

Loosen the brake band adjustment nut allowing stop arm and stop bolt to make contact (refer to **Blade Brake Band Adjustment** illustration).

1. To check the pulley travel, first engage the clutch, then measure the distance the pulley travels as the clutch is disengaged and the stop arm contacts the stop bolt.
2. Adjust the pivot stop bolt to give 1 in. to 1-1/8 in. (25 mm to 29 mm) pulley travel from “clutch engaged” to “clutch disengaged”.

**NOTE:** This adjustment will prevent excessive pulley travel that can cause belts to develop too much slack, causing possible belt derailment upon disengagement.



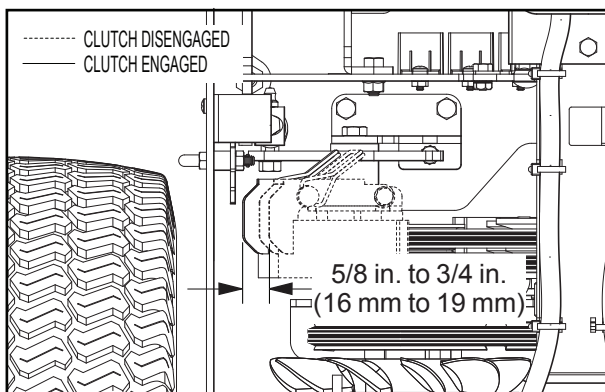
### Clutch Idler Pulley Travel

## Step 2 - Blade Brake Band Adjustment

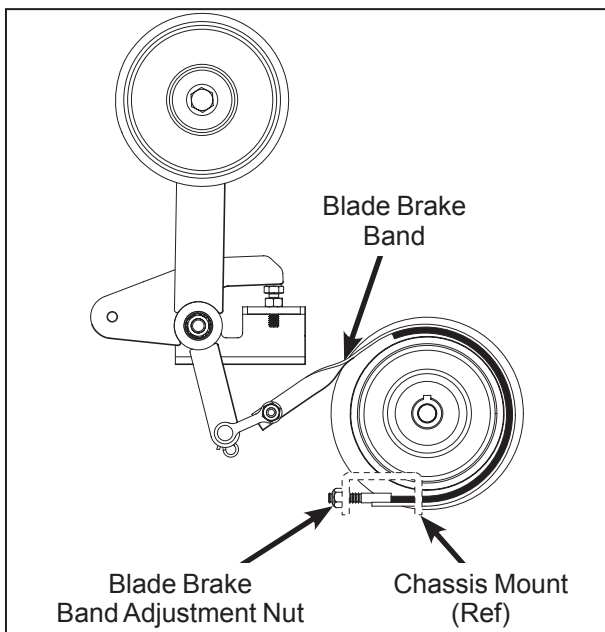
After the maximum pulley travel is set, adjust the working travel of the clutch idler pulley by adjusting the brake band nut and make the following adjustment as needed:

1. Adjust the blade brake band, using the adjustment nut until pulley travel is approximately 5/8 in. to 3/4 in. (16 mm to 19 mm) from engaged to disengaged.

**NOTE:** As blade brake band/drum wears, pulley travel will increase and it will be necessary to adjust the blade brake band nut to maintain these dimensions.



**Clutch Idler Pulley Travel Adjustment**

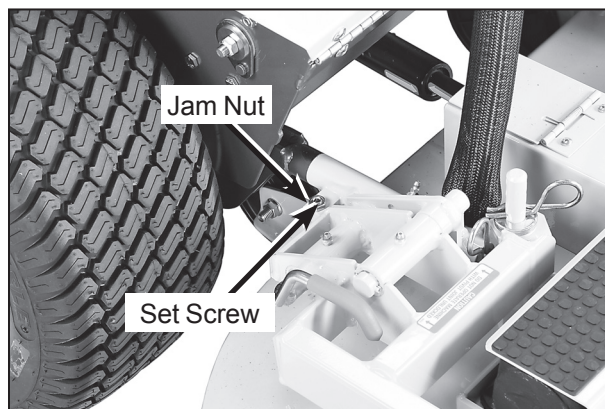


**Blade Brake Band Adjustment**

2. After adjustments are complete, check blade brake action as described in **CHECKING/SERVICING the Blade Brake Action** in this section. If blades do not stop within five (5) seconds, check the following:
  - a. Make sure clutch and brake linkage are working freely (no binding).
  - b. Check the brake band lining for wear.
  - c. Check the brake drum on the pulley. If excessive wear is present, it will be necessary to replace worn parts.

## Tilt-Up Deck Adjustable Stop

When the carrier frame hinge joint is properly adjusted, the deck lock levers should move in and out of the engaged and disengaged positions freely. All four (4) hitch pins used for height adjustment should sit flush on the washers above the deck pin bushing. On a level surface, if any pin is sticking up (likely the front pins), tighten the opposite side or loosen the same side to lower the pin. Adjustments are made by loosening the jam nut and tightening or loosening the set screws on the Deck Mount Pivot Brackets. Retighten the jam nut when the adjustment is complete.



**Tilt-Up Deck Adjustable Stop**



## Operator's Notes

## **LIMITED WARRANTY FOR WALKER MODEL MBK23 RIDER MOWERS**

### **1. WHAT THIS WARRANTY COVERS, AND FOR HOW LONG:**

Walker Manufacturing company will, at its option, repair or replace, without charge, any part covered by this warranty which is found to be defective in material and/or workmanship within one (1) year after date of sale to the original retail purchaser unless the product is used for rental purposes, in which case this warranty is limited to ninety (90) days. At Walker's request, customer will make the defective part available for inspection by Walker and/or return the defective part to Walker, transportation charges prepaid. All parts and components of the Walker Mower are covered by this warranty **except** the following components which are warranted separately by their respective manufacturers:

Kohler Engine  
Hydro-Gear Transaxles  
Battery  
Tires

The available warranties covering these items are furnished with each mower. Walker does not assume any warranty obligation, liability or modification for these items, which are covered exclusively by the stated warranty of the respective manufacturers noted above.

### **2. WHAT THIS WARRANTY DOES NOT COVER:**

- A. This warranty does not cover defects caused by depreciation or damage caused by normal wear, accidents, improper maintenance, improper use or abuse of the product, alterations, or failure to follow the instructions contained in the Operator's Manual for operation and maintenance.
- B. The customer shall pay any charges for making service calls and/or for transporting the mower to and from the place where the inspection and/or warranty work is performed.

### **3. HOW TO OBTAIN SERVICE UNDER THIS WARRANTY:**

Warranty service can be arranged by contacting the dealer where you purchased the mower or by contacting Walker Manufacturing Company, 5925 East Harmony Road, Ft. Collins, CO 80528. Proof of the date of purchase may be required to verify warranty coverage.

### **4. WARRANTY LIMITATION:**

- A. **THERE IS NO OTHER EXPRESS WARRANTY. ANY WARRANTY THAT MAY BE IMPLIED FROM THIS PURCHASE INCLUDING MERCHANTABILITY AND FITNESS FOR A PARTICULAR PURPOSE IS HEREBY LIMITED TO THE DURATION OF THIS WARRANTY AND TO THE EXTENT PERMITTED BY LAW ANY AND ALL IMPLIED WARRANTIES ARE EXCLUDED.** Some states do not allow limitations on how long an implied warranty lasts, so the above limitations may not apply to you.
- B. **WALKER WILL NOT BE LIABLE FOR ANY INCIDENTAL, CONSEQUENTIAL, OR SPECIAL DAMAGES AND/OR EXPENSES IN CONNECTION WITH THE PURCHASE OR USE OF THE MOWER.** Some states do not allow the exclusion or limitation of incidental or consequential damages, so the above limitation(s) or exclusion(s) may not apply to you.
- C. Only the warranty expressed in this limited warranty shall apply and no dealer, distributor, or individual is authorized to amend, modify, or extend this warranty in any way. Accordingly, additional statements such as dealer advertising or presentations, whether oral or written, do not constitute warranties by Walker, and should not be relied upon.
- D. This warranty gives you specific legal rights, and you may also have other rights which vary from state to state.

# WALKER MOWERS™

WALKER MFG. CO. • 5925 E. HARMONY ROAD, FORT COLLINS, CO 80528 • (970) 221-5614  
FORM NO. 042012      PRINTED IN USA      [www.walkermowers.com](http://www.walkermowers.com)      ©2012 WALKER MFG. CO