

WALKER

Illustrated Parts Manual

B19



Beginning S/N: 124800
Effective Date: 10.01.13
P/N 4000-7

KEY TO ABBREVIATIONS USED IN THIS MANUAL

<i>Abbreviation</i>	<i>What it Represents</i>
° (Dimension)	Degrees (Angle)
" (Dimension)	inches
(-)	Negative (Polarity)
(+)	Positive (Polarity)
AT	All-Terrain
CCW	Counter-clockwise
Conn	Connector
CW	Clockwise
D	Diameter
DC	Deck, Collection (number refers to size in inches)
DM	Deck, Mulching (number refers to size in inches)
DR	Deck, Rear Discharge (number refers to size in inches)
DS	Deck, Side Discharge (number refers to size in inches)
DU	Garlock (Bearing)
ESNA (Fastener)	Nylon Insert Locknut
FSC	Forward Speed Control
GA	Gauge
gal	gallon
GHS	Grass Handling System
GR (Fastener)	Grade
HD	Heavy Duty
HP	Horse Power
ID	Identification or Inside Diameter
L	Length
LH	Left Hand (orientated with operator on seat)
LP	Low Profile
mm (Dimension)	millimeters
MS (Fastener)	Machine Screw
NS (as part number)	Item is not sold by Walker Manufacturing
OD	Outside Diameter
oz	ounce
PFH (Fastener)	Phillips Flat Head
P/N	Part Number
PPH (Fastener)	Phillips Pan Head
PTH (Fastener)	Phillips Truss Head
PTO	Power Take-Off
QKS	Quick Slide
qt	quart
RH	Right Hand (orientated with operator on seat)
SAE (Fastener)	Society of Automotive Engineers
SBH (Fastener)	Socket Button Head (Bolt)
SD	Side Discharge
SFH (Fastener)	Slotted Flat Head
SHC (Fastener)	Socket Head Cap
SHL (Fastener)	Shoulder (Bolt)
SM (Fastener)	Sheet Metal (Screw)
S/N	Serial Number
Spg	Spring
SQH (Fastener)	Square Head
SS (Fastener)	Stainless Steel
ST (Fastener)	Self-Tapping (Screw)
Term	Terminal
V	Volts

NOTE: In some instances, combinations of abbreviations may be used (e.g. PPHMS - Phillips Pan Head Machine Screw).

Beginning S/N 124800

Effective Date 10-01-13

Use only genuine Walker® replacement parts.

ILLUSTRATED PARTS LIST

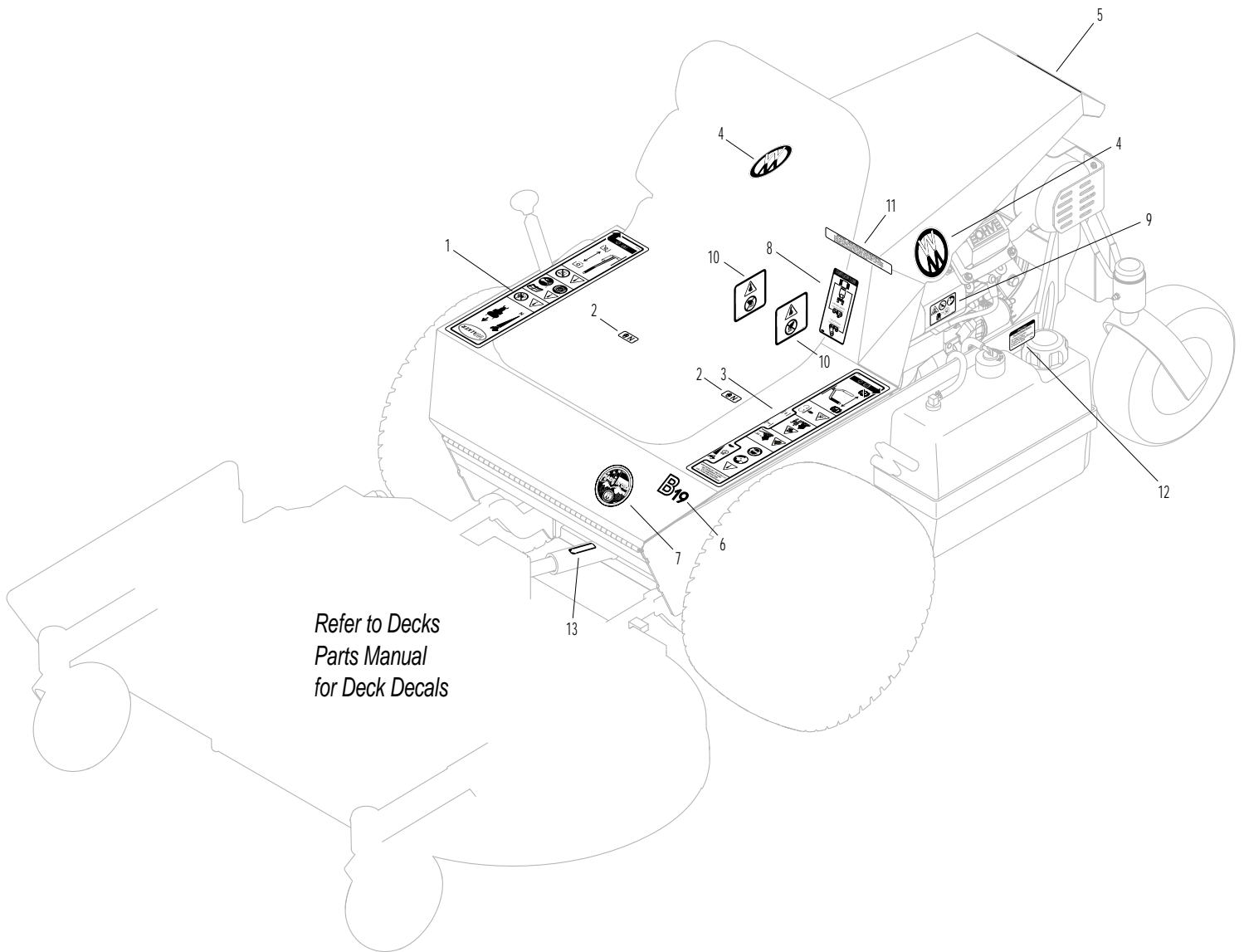
<i>Section of Tractor Covered</i>	<i>Page</i>	<i>Section of Tractor Covered</i>	<i>Page</i>
Decals		Electrical Components	
Tractor Decals	2	Electrical Assembly	14
Body / Chassis Assemblies		Maintenance	
Body / Chassis Assembly	4	Lubrication Points	16
Tractor Components		Wiring Schematic.....	18
Main Component Power Transmission	6	Maintenance And Service Record Sheet.....	19
Engine Group.....	8	Operator's Notes	20
Hydrostatic Ground Drive Assemblies.....	10	Warranty	
Steering Control Assemblies.....	12	Limited Warranty	21

TRACTOR DECALS

ITEM NO.	PART NO.	DESCRIPTION	LOCATION	NO. REQ'D
Walker Product and Operation Decals				
1	8600-26	RH Fender	Body, RH Side Near Seat	1
2	9804-1	Axle Lockout	Chassis	2
3	8600-27	LH Fender	Body, LH Side Near Seat	1
4	5800-13	Decal, Walker Round (3-3/4")	Rear Body (one on each side)	2
5	5800-7	Decal, Walker (8")	Rear Body	1
6	8821-13	Decal, B19	Body	1
7	5856-1	Made In USA	Body	1
Danger Decals Warning Decals Caution Decals				
8	4107-11	Decal, Belt Routing	Rear Body, Underside	1
9	8600-12	Danger, Engine Exhaust	Engine	1
10	8600-2	Danger, Rotating Components	Flex Coupling Guard (one on each side)	2
Maintenance Decals				
11	5855	Important, Engine Cooling	Engine	1
12	5082-5	Fuel Recommendations	Chassis, LH Side	1
13	6875	PTO Alignment Arrow	Universal Joint Tube Assembly	1

NOTE: All parts requiring decals are shipped with decals applied.

TRACTOR DECALS



BODY / CHASSIS ASSEMBLY

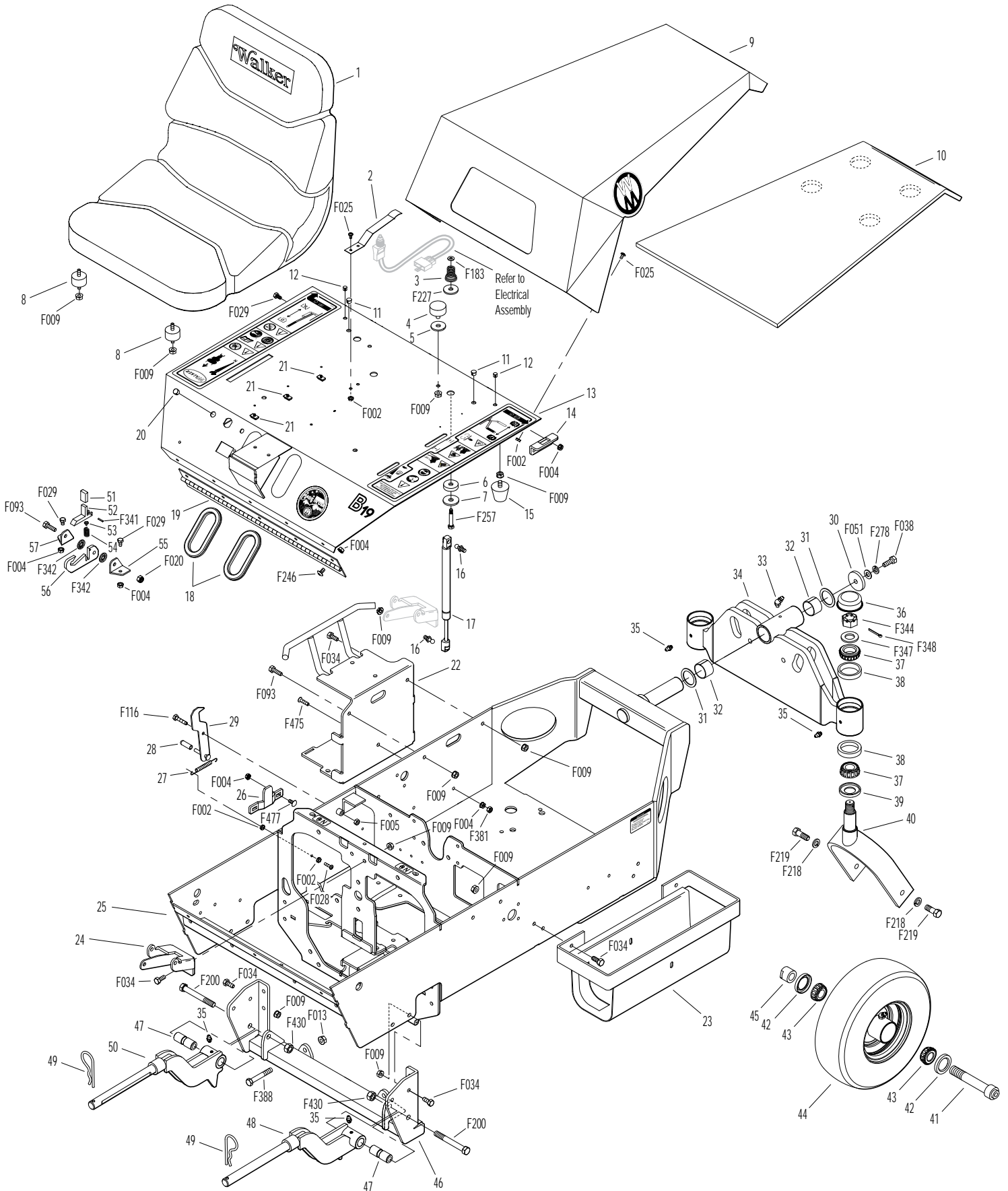
ITEM NO.	PART NO.	DESCRIPTION	NO. REQ'D	ITEM NO.	PART NO.	DESCRIPTION	NO. REQ'D
Seat Assembly				Deck Support Arm & Hitch Assemblies			
1	5103	Seat	1	46	4301-10	Deck Arm Support Mount	1
2	2505	Leaf Spring	1	47	6840-1	Support Arm Bushing (2-1/16)	2
3	7223-1	Compression Spring	2	48	4431-1	Deck Support Arm, LH (Includes Item # 35)	1
4	7845	Rubber Bumper (1.375 x .63)	2	49	5775-2	Hitch Pin (#6)	2
5	5841	Retainer Washer (3/8 x 1-1/4)	2	50	4430-1	Deck Support Arm, RH (Includes Item # 35)	1
6	7434	Washer (3/8 x 1-1/4 x 1/4)	2	Tilt-Up Latch Assembly**			
7	5841-1	Retainer Washer	2	51	5847	Plastic Tip	1
8	7440-5	Shock Mount (1-1/4 x 3/4)	2	52	5744-20	Spring Arm, Tilt-Up Latch	1
Body Assembly				53	5744-10	Spring Pivot Bushing	1
9	4105-5	Rear Body (Includes Item # 10)	1	54	5744-15	Compression Spring (3/8 x 5/8)	1
10	4190-2	Insulation Foam Pad	1	55	5744-13	Mount Angle, LH	1
11	5989-4	Dome Plug (3/8)	2	56	5744-12	Hook, Tilt-Up Latch	1
12	5989-3	Dome Plug (5/16)	2	57	5744-14	Mount Angle, RH	1
13	4100-2	Front Body	1	Fasteners			
14	4102-1	Body Guide / Upper	1	F002	10-24 Keps Nut		9
15	5845	Rubber Bumper (1.50 x 1.25)	2	F004	1/4-20 Keps Nut		15
16	5146	10mm Ball Stud	2	F005	1/4-20 ESNA Nut		1
17	4145-2	Gas Spring Assembly (Includes Item # 16)	1	F009	5/16-18 Whiz Locknut		17
18	5180	Edge Molding / Lever Opening	2	F013	3/8-16 Whiz Locknut		2
19	4504-3	Hinge (19")	1	F020	5/16-18 ESNA Nut		1
20	5989-5	Dome Plug (7/16)	1	F025	10-24 x 3/8 PPHMS		7
21	7834-3	Wire Saddle (3 Wires)	3	F028	10-24 x 3/4 PPHMS		1
Chassis Assembly				F029	1/4-20 x 1/2 Hex Bolt		4
22	4010-8	Precleaner / Battery Mount	1	F034	5/16-18 x 3/4 Hex Bolt		9
23	9046	Gas Tank Mount	1	F038	3/8-16 x 1 Hex Bolt		1
24	4215-9	Shock Mount / Body Lift Arm	1	F051	3/8 SAE Washer		1
25	4301-6	Chassis Frame	1	F093	5/16-18 x 1 Hex Bolt		2
26	4102-2	Body Guide / Lower	1	F116	1/4-20 x 1-1/4 Hex Bolt		1
27	7222	Extension Spring (1/4 x 3)	1	F183	.312 x .700 x .074 Washer		2
28	7854	Plastic Tip, Red	1	F200	7/16-20 x 3 Grade 8 Bolt		2
29	7383-1	Body Latch Hook	1	F218	7/16 Split Lock Washer		4
Spread Tail Wheel Assembly				F219	7/16-14 x 1-1/4 Hex Bolt		4
30	4401-4	Washer (1-3/4 x 3/8 x 1/4 Thk)	1	F227	3/8 x 1-1/4 x 1/8 Washer (Plastic)		2
31	4301-2	Fiberglide Thrust Washer	2	F246	1/4-20 x 1/2 PTHMS		8
32	4301-3	Fiberglide Bearing	2	F257	3/8 x 1-11/16 Shoulder Bolt		2
33	5830-3	Grease Fitting (45 Deg.)	1	F278	3/8 Split Lock Washer		1
34	4301-1	Tail Wheel Pivot (Includes Items # 32, 33 & 35)	1	F341	Coil Roll Pin (7/64 x 9/16)		1
35	5830	Grease Fitting	4	F342	5/16 Conical Washer		2
36	8769-8	Dust Cap, Deck Caster	2	F344	3/4-16 Slotted Hex Nut		2
37	8769-6	Bearing Cone (1" ID)	4	F347	3/4 SAE Washer		2
38	8769-5	Bearing Cup (2 x 1-5/8)	4	F348	1/8 x 1-1/2 Cotter Pin		2
39	8769-7	Seal	2	F381	1/4-20 Hex Nut		1
40	8765-11	Caster Wheel Fork	2	F388	3/8-16 x 2-1/2 Hex Bolt		2
41	8767	Axle, Caster Wheel (5-1/8)	2	F430	7/16-20 ESNA Nut		2
42	8037-1	Seal, Outer (1-3/4 x 1-1/8)	4	F475	1/4-20 x 1 PFH Screw		1
43	8037	Bearing Cone (3/4 ID)	4	F477	1/4-20 x 5/8 Carriage Bolt		2
44	8768	Caster Wheel, Pneumatic (11 x 4.00-5)	2	* Service Part Only			
	8768-3	Tire, Pneumatic (11 x 4.00-5)	*	** Complete Tilt-Up Latch Assembly Kit available by ordering kit # 5747.			
	8768-5	Caster Wheel (5 x 3)	*				
45	8766	Axle Nut (3/4-16)	2				

Beginning S/N 124800

Effective Date 10-01-13

Use only genuine Walker® replacement parts.

BODY / CHASSIS ASSEMBLY



Beginning S/N 124800
Effective Date 10-01-13
Use only genuine Walker® replacement parts.

MAIN COMPONENT POWER TRANSMISSION

ITEM NO.	PART NO.	DESCRIPTION	NO. REQ'D	ITEM NO.	PART NO.	DESCRIPTION	NO. REQ'D
PTO Drive Assembly				Fasteners			
1	4850	Handle Grip	1	F004	1/4-20 Keps Nut		8
2	2358-12	Fiberglide Bushing	1	F005	1/4-20 ESNA Nut		2
3	7201-2	Fiberglide Bearing (1/2")	1	F008	5/16-24 Keps Nut		1
4	4358-13	Clutch Lever (Includes Items # 1 & 5)	1	F009	5/16-18 Whiz Locknut		17
5	5830	Grease Fitting	4	F010	5/16-24 ESNA Nut		1
6	5103-2	Pivot Bushing (5/16 ID)	2	F012	3/8-16 Keps Nut		3
7	2358-6	5/16-18 x 1-3/4 Stud	2	F013	3/8-16 Whiz Locknut		1
8	5214-13	Ball Joint (3/8)	2	F014	3/8-16 ESNA Nut		1
9	2358-8	Adjustor Brace	1	F024	5/16-24 Jam Nut		1
10	4358-11	Clutch Pivot Plate	1	F029	1/4-20 x 1/2 Hex Bolt		1
11	7775-6	Wire Lock Pin (2-1/2")	3	F031	1/4-20 x 5/8 Hex Bolt		12
12	4302	Right Hand Shoe	1	F034	5/16-18 x 3/4 Hex Bolt		7
13	4302-5	Upper Shoe, LH	1	F035	5/16-18 x 1-1/4 Hex Bolt		5
14	4302-1	Left Hand Shoe	1	F040	3/8-16 x 1-1/2 Hex Bolt		1
15	2302-6	Shoe Mount, LH	1	F041	3/8-16 x 1-3/4 Hex Bolt		2
16	4302-2	Shoe Mount	2	F051	3/8 SAE Washer		5
17	4325-12	Idler Mount	1	F058	1/4 Wave Spring Washer		6
18	4236-3	PTO Drive Pulley (5/AA)	1	F060	AN960516 Washer		2
19	4302-6	PTO Shoe	1	F061	1/4 Star Lock Washer		1
20	7775-7	Wire Lock Pin (3")	1	F067	3/16 x 3/16 x 1 Key		1
21	7275-9	Quick Coupler Installation Tool	1	F069	3/32 x 1/2 Cotter Pin		2
22	7275-16	Universal Joint Tube Assembly / Spline	1	F093	5/16-18 x 1 Hex Bolt		1
23	4274-12	PTO Drive Shaft Assembly / Spline	1	F120	AN960416 Washer		8
24	4358-7	Clutch / Pivot Stop	1	F149	1/4 x 1/4 x 1-1/2 Key		1
25	7201-3	Fiberglide Bearing	2	F178	1/4 x 1 Fender Washer		1
26	7201-8	Inner Race (4")	1	F183	.312 x .700 x .074 Washer		2
27	4359	Clutch Engagement (Includes Item # 5)	1	F211	1/4-20 x 7/8 Hex Bolt		2
28	7523-3	Clevis Pin W/Hole (1/4 x 1/2)	1	F290	3/8-16 x 5 Hex Bolt		1
29	4359-2	Brake Band Link / Rear	1	F298	3/8-24 Jam Nut		2
30	4304	Brake Band (14-1/2)	1	F325	1/4-20 x 3 Hex Bolt		2
31	4359-1	Brake Band Link / Front	1	F350	1/4-20 LP Nylock		6
32	7523-2	Clevis Pin W/Hole (1/4 x 5/8)	1	F381	1/4-20 Hex Nut		1
33	4411-2	Drive Shaft	1	F435	1/4 x 1/4 x 1-1/4 Key		1
34	4245-1	Idler Pulley (4/Flat)	2	F449	Washer 1/2 x 1-5/8 x 1/4		1
35	4230-1	Engine/PTO Belt/Matched Set	1	F451	1/2-20 Nylon Locknut		1
36	4236-4	Idler Pulley (4/AA)	1	F484	Washer .380 ID x 1.0 OD x .120		3
37	5214-2	Ball Joint (5/16-24) (Nylon Lined)	1				
38	5226-1	Spring (3/4 x 2-1/2)	1				
39	7380	Knuckle Joint	1				
40	4303-7	Clutch Actuator Bolt (5/16)	1				
41	2358-11	Clutch Actuator	1				
42	7377	Plastic Washer (1 x .438 x .025)	2				
43	7378	Pivot Bearing (7/16 x 9/16)	1				
44	4325-1	Clutch Arm	1				
45	5221	Extension Spring (3/4 x 4)	1				

Beginning S/N 124800

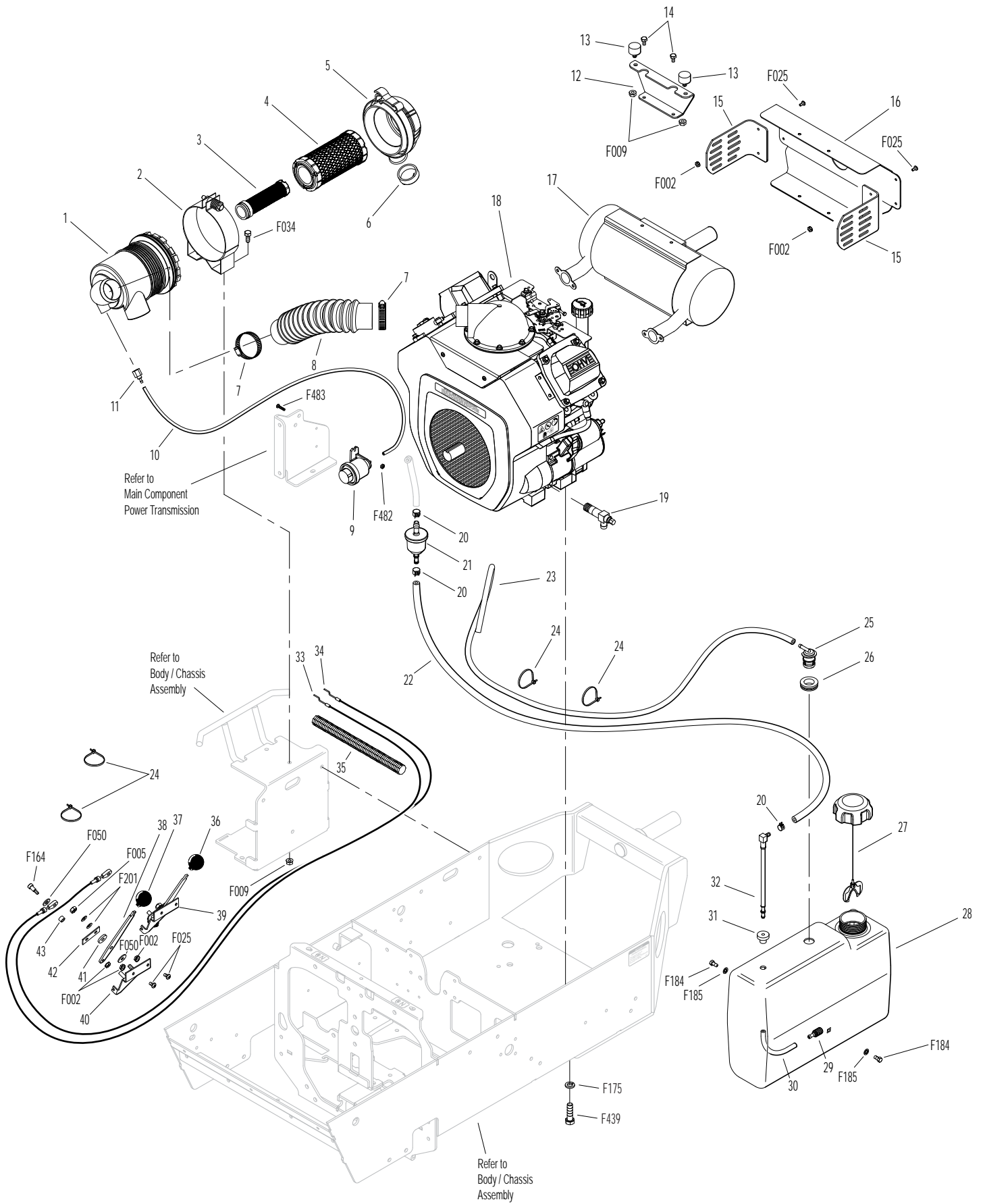
Effective Date 10-01-13

Use only genuine Walker® replacement parts.

ENGINE GROUP

ITEM NO.	PART NO.	DESCRIPTION	NO. REQ'D	ITEM NO.	PART NO.	DESCRIPTION	NO. REQ'D
Precleaner Assembly				Choke and Throttle Assemblies			
1	4088-10	Air Cleaner Assembly (Includes Items # 2-6 & 9)	1	33	4108-3	Control Cable (64")	1
2	2088-1	Air Cleaner Band	1	34	2108-4	Control Cable (68")	1
3	2090-3	Safety Filter Insert	1	35	8123-3	Insultherm (3/8 x 10)	1
4	2090-1	Air Cleaner Cartridge	1	36	5108-6	Choke Control Knob, Black	1
5	2088-2	Air Cleaner Cap	1	37	5108-5	Throttle Control Knob, Red	1
6	2090-2	Vacuator Valve	1	38	5108-1	Control Lever, Throttle/Choke	2
7	7840	Hose Clamp (1-1/4 to 1-3/4)	2	39	7108	Control Assembly	2
8	2012	Flex Hose (1-3/4 x 2)	1		4108-2	Throttle Control and Cable Assembly (Includes Item # 37)	*
9	5091-6	Air Flow Indicator W/Bracket	1		2109-3	Choke Control and Cable Assembly (Includes Item # 36)	*
10	M258	Vacuum Hose (13")	1**	40	5108-8	Control Bracket	2
11	5091-5	1/8 Pipe Thread Female W/Barb	1	41	5108-10	Friction Washer (.125)	2
Engine Assembly				42	5108-7	Control Lock Tab	2
12	4104-3	Body Support	1	43	5172	Bearing, Delrin (.255 ID x .379 OD x .250)	1
13	4845	Rubber Bumper (1.0 x .625)	2	Fasteners			
14	NS	Bolt (Kohler)	2		F002	10-24 Keps Nut	10
15	2013-4	Shield Side	2		F005	1/4-20 ESNA Nut	2
16	2013-3	Muffler Heat Shield	1		F009	5/16-18 Whiz Locknut	4
17	NS	Muffler	1		F025	10-24 x 3/8 PPHMS	8
18	NS	19 HP Engine (Kohler)	1		F034	5/16-18 x 3/4 Hex Bolt	2
19	4010-1	Drain Valve 3/8-18 NPTF	1		F050	1/4 SAE Washer	4
Fuel Tank Assembly					F164	10-24 x 1/4 x 3/8 SHL Bolt	2
20	5879-3	Hose Clamp (1/2)	3		F175	1/2 Split Lock Washer	4
21	NS	Fuel Filter (Kohler)	1		F184	1/4-20 x 1/2 Hex Bolt, SS	2
22	M246	Fuel Line (1/4 x 28")	1**		F185	1/4 Internal Star Lock Washer, SS	2
23	M113	Fuel Line (3/16 x 33-1/2")	1**		F201	1/4 Belleville Spring Washer	4
24	5975-3	Cable Tie (50# x 7")	4		F439	1/2-13 x 1-3/4 Hex Bolt	4
25	8043-8	Roll Over Valve	1		F482	8-32 Nylock Nut	2
26	5977-7	Roll Over Grommet (.900 x 1-1/2)	1		F483	8-32 x 3/4 PPHMS	2
27	5082-4	2-1/4 Ratchet Fuel Cap (EPA)	1	* Service Part Only			
28	6046-3	Fuel Tank, 2.8 Gal. Gas (Includes Item # 31)	1	** Required hose specifications:			
29	5020-2	Fuel Filter, In Tank	1	M113 - 3/16" ID fuel/oil/vapor hose (Gates 4219-0093 or equivalent)			
30	M246	Fuel Line (1/4 x 6")	1**	M246 - 1/4" ID low permeation (<15g/m^2/day) fuel hose (Parker 38904 or equivalent)			
31	5083-1	Bushing, Rubber (Fits 5083)	1	M258 - 7/64" ID automotive vacuum hose			
32	5083-7	Tank Tube (8-1/2")	1				

ENGINE GROUP



Beginning S/N 124800
 Effective Date 10-01-13
 Use only genuine Walker® replacement parts.

HYDROSTATIC GROUND DRIVE ASSEMBLIES

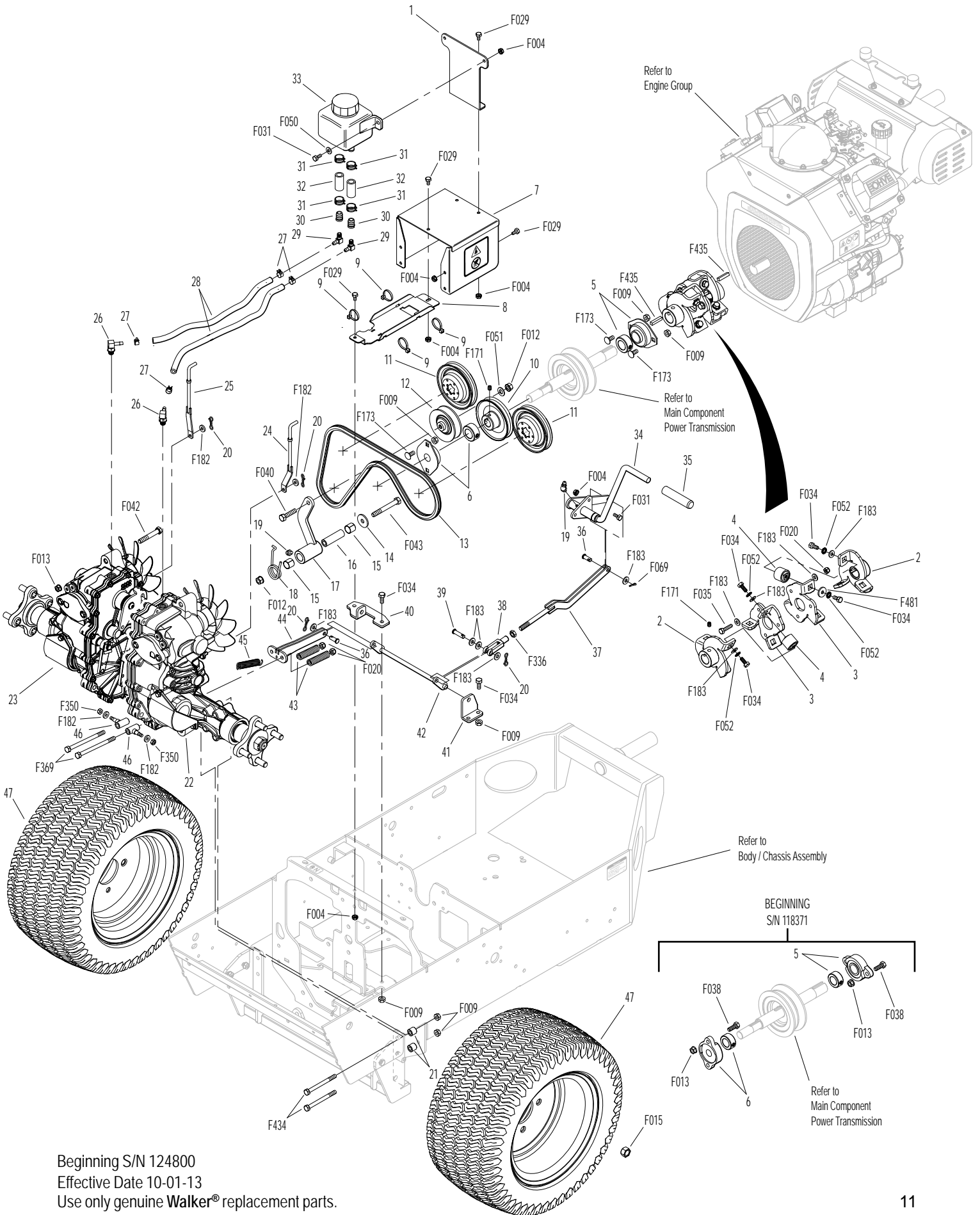
ITEM NO.	PART NO.	DESCRIPTION	NO. REQ'D	ITEM NO.	PART NO.	DESCRIPTION	NO. REQ'D
Ground Drive Assemblies				42	4406-13	Parking Brake Actuator	1
1	4025-6	Bottle Mount	1	43	5665-1	Compression Spring (2-1/2)	2
2	2351-3	Flex Coupler Half (Includes Items # F171 & F435)	2	44	4407	Parking Brake Link	1
3	4351-3	Inner Flex Coupler Half / MB (1/4)	2	45	5222	Extension Spring (1/2 x 3-1/4)	1
4	2351-1	Rubber Iso Coupler	6	46	5463-2	Steering Lever Actuator	2
5	4349-6	Flanged Bearing (1") (Prior to SN 118371)	1	Wheel Assembly			
	4349-11	Flanged Bearing (1") (Reversed Bearing) (Beginning SN 118371)	1	47	5075-1	LP Wheel & Tire Assembly (18 x 8.50-10)	2
6	4349-4	Flanged Bearing (3/4") (Prior to SN 118371)	1		5075-2	LP Tire (18 x 8.50-10)	*
	4349-10	Flanged Bearing (3/4") (Beginning SN 118371)	1		5075-5	LP Wheel (10 x 7)	*
7	4010-10	Flex Coupling Guard	1		5033-6	Wheel & Tire (18 x 7.00-8)	**
8	4025-10	Hose Channel	1		5030-6	Standard Tire (18 x 7.00-8)	*
9	5975-3	Cable Tie (50# x 7")	4		5031-2	Standard Wheel (8 x 5.00-5)	*
10	4240-1	Drive Pulley (Includes Items # F067 & F171)	1		5030-4	Tire Tube (18 x 8.50-8)	*
11	4026-9	Pulley (52364)	2	Fasteners			
12	4245	Idler Pulley (3/A)	1		F004	1/4-20 Keps Nut	13
13	4230-2	Ground Drive Belt	1		F009	5/16-18 Whiz Locknut	12
14	5841	Retainer Washer (3/8 x 1-1/4)	1		F012	3/8-16 Keps Nut	2
15	7201-3	Fiberglide Bearing	2		F013	3/8-16 Whiz Locknut	6
16	7201-5	Inner Race (2-1/4)	1		F015	1/2-20 Wheel Lug Nut	8
17	4325-13	Idler Arm (Includes Items # 15 & 19)	1		F020	5/16-18 ESNA Nut	5
18	7364-2	Torsion Spring	1		F029	1/4-20 x 1/2 Hex Bolt	8
19	5830-3	Grease Fitting (45 Deg.)	2		F031	1/4-20 x 5/8 Hex Bolt	5
20	4407-4	Bow Tie Cotter Pin	4		F034	5/16-18 x 3/4 Hex Bolt	16
21	9430-1	Spacer Tube	4		F035	5/16-18 x 1-1/4 Hex Bolt	3
22	2025-20	Hydro-Gear W/Charge Pump, LH	1		F038	3/8-16 x 1 Hex Bolt	4
23	2026-20	Hydro-Gear W/Charge Pump, RH	1		F040	3/8-16 x 1-1/2 Hex Bolt	1
24	2028-3	Hydro Lockout Rod, LH	1		F042	3/8-16 x 2-1/4 Hex Bolt	2
25	2028-4	Hydro Lockout Rod, RH	1		F043	3/8-16 x 3 Hex Bolt	1
26	2025-17	Straight Thread Hose Fitting	2		F050	1/4 SAE Washer	2
27	5879-3	Hose Clamp (1/2)	4		F051	3/8 SAE Washer	1
28	8015	Hose (1/4 x 14-1/2)	2		F052	5/16 Ext. Star Lock Washer	12
29	4024-1	Oil Expansion Reservoir Elbow	2		F069	3/32 x 1/2 Cotter Pin	1
30	2010-9	Hose Reducer 1/2-1/4	2		F171	5/16-18 x 3/8 Set Screw	6
31	5879-8	Hose Clamp (13/16)	4		F173	5/16-18 x 3/4 Carriage Bolt	4
32	5087-1	Hose (1/2 x 1-3/4)	2		F182	1/4 x 5/8 x 1/8 Washer	4
33	2025-1	Oil Expansion Reservoir (71327)	1		F183	.312 x .700 x .074 Washer	20
Parking Brake Assembly					F336	3/8-16 Jam Nut	1
34	4406	Parking Brake Lever (Includes Items # 19 & 35)	1		F350	1/4-20 LP Nylock	2
35	7406-1	Handle Grip, Red	1		F369	5/16-18 x 4-1/2 Hex Bolt	2
36	8655-4	Clevis Pin (5/16 x 3/4)	2		F434	5/16-18 x 3-1/2 Hex Bolt	4
37	4406-12	Brake Actuator Pull	1		F435	1/4 x 1/4 x 1-1/4 Key	2
38	2280	Clevis (3/8)	1		F481	Washer 5/16 x 7/8 x .125	3
39	2406-4	Clevis Pin (5/16 x 1-1/8)	1	* Service Part Only			
40	4401-6	Parking Brake Mount	1	** May be ordered as a factory-installed option or for dealer installation. Narrow Drive Tires are used when installing a 36" Deck. Contact your Walker dealer.			
41	4401-7	Parking Brake Pivot	1				

Beginning S/N 124800

Effective Date 10-01-13

Use only genuine Walker® replacement parts.

HYDROSTATIC GROUND DRIVE ASSEMBLIES



Beginning S/N 124800
 Effective Date 10-01-13
 Use only genuine Walker® replacement parts.

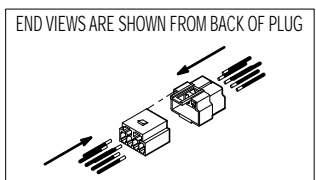
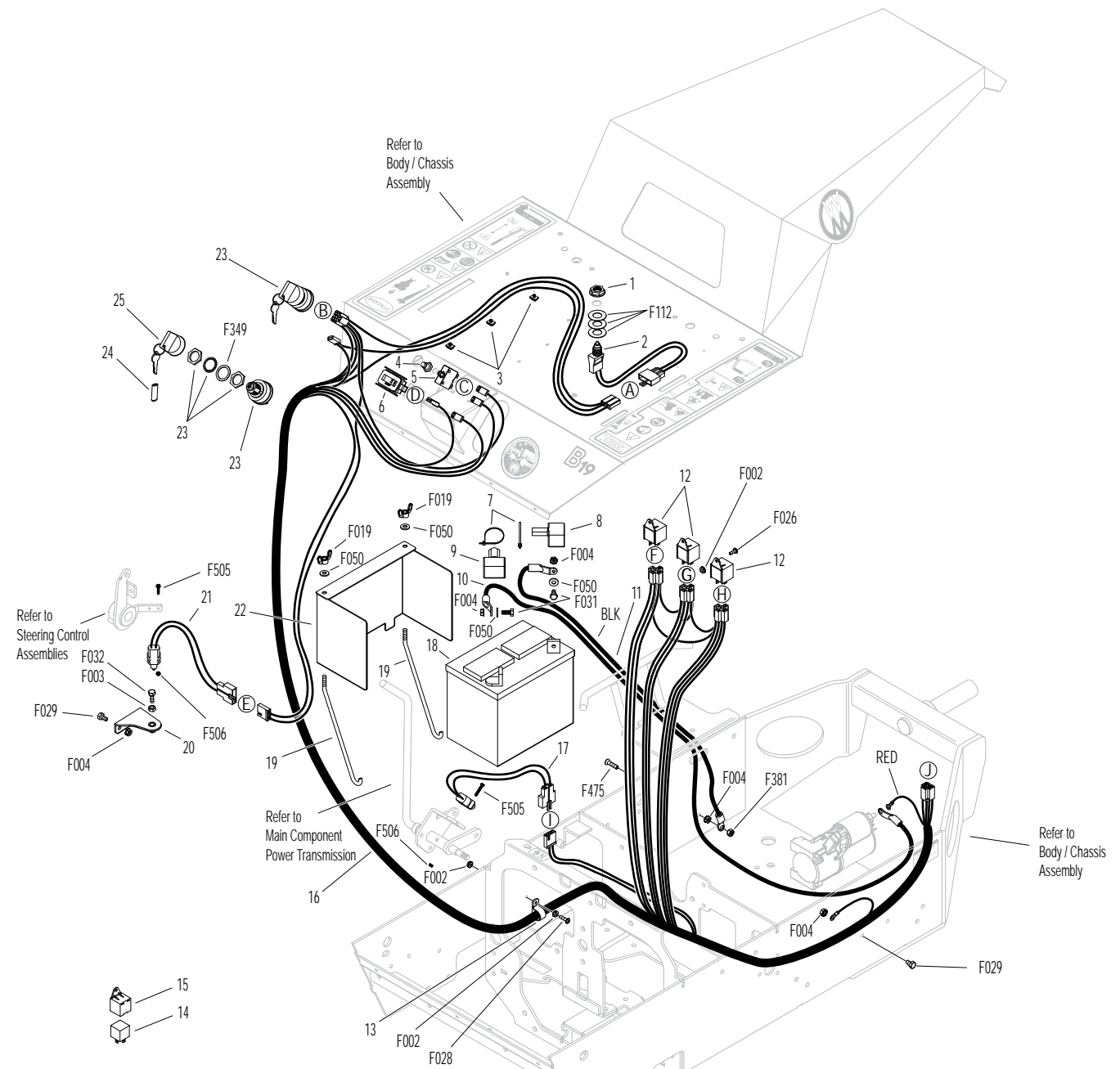
STEERING CONTROL ASSEMBLIES

ITEM NO.	PART NO.	DESCRIPTION	NO. REQ'D	ITEM NO.	PART NO.	DESCRIPTION	NO. REQ'D
Steering Lever & FSC Assemblies				Fasteners			
1	5862	FSC Knob	1	F004	1/4-20 Keps Nut		2
2	4170	FSC Lever Assembly (Includes Item # 4)	*	F005	1/4-20 ESNA Nut		2
3	2170-1	Step Washer	1	F008	5/16-24 Keps Nut		2
4	5830	Grease Fitting	1	F009	5/16-18 Whiz Locknut		6
5	5214-5	Ball Joint (5/16-24/LH) W/O Stud	1	F010	5/16-24 ESNA Nut		2
6	4173	Control Rod (5-3/8)	1	F024	5/16-24 Jam Nut		3
7	5214-4	Ball Joint (5/16-24) W/O Stud	1	F029	1/4-20 x 1/2 Hex Bolt		2
8	4219	Extension Spring (3/4 x 6-1/2)	1	F035	5/16-18 x 1-1/4 Hex Bolt		1
9	4451-9	FSC Friction Actuator	1	F044	5/16-24 x 3/4 Hex Bolt		2
10	2463	Actuator Washer	2	F059	3/8 Wave Spring Washer		1
11	7201-2	Fiberglide Bearing (1/2")	2	F093	5/16-18 x 1 Hex Bolt		2
12	2215-7	Steering Lever Spring / Dampener	2	F146	1/4-20 Jam Nut		2
13	5146	10mm Ball Stud	4	F167	5/16-18 Hex Nut		1
14	5830-5	Grease Fitting (45 Degree) M6 x 1	1	F183	.312 x .700 x .074 Washer		6
15	5665-1	Compression Spring (2-1/2)	2	F188	1/4-20 Self-Locking Nut		4
16	4213-2	Control Rod (6-1/2)	2	F192	3/8-24 Self-Locking Nut		1
17	5214-2	Ball Joint (5/16-24) (Nylon Lined)	2	F198	.250 x .625 x .040 Washer, SS		2
18	2212-3	Seal Retainer	2	F211	1/4-20 x 7/8 Hex Bolt		1
19	2212	Transmission Control Arm Stop	2	F312	3/8 x 3/8 Shoulder Bolt		1
20	2212-2	Transmission Control Arm, RH	1	F345	1/4-20 x .770 Knurled Bolt		4
21	2212-1	Transmission Control Arm, LH	1	F373	5/16-24 Hex Nut, LH		1
22	5830-3	Grease Fitting (45 Degree)	1	F385	1/4 x 1-1/4 Roll Pin		1
23	4451-1	Steering Pivot Shaft W/Stop	1	F386	5/16-18 x 1-1/2 x 3/8 Shoulder Bolt		1
24	9704-3	Pivot Rod Bushing / Plastic	2	F391	1/4-20 x 1/2 Set Screw, SS		2
25	4142-2	FSC Friction Washer (1-1/2 x 1-1/32 x 1/16)	1	F407	Belleville Washer 3/8 x 1.187, SS		1
26	5141	FSC Friction Washer (1-1/2 x 3/8 x 1/16)	1	F427	5/16-18 Flange Nut		1
27	4142-1	FSC Cam	1	* Service Part Only			
28	8201-3	Fiberglide Bearing	4				
29	4452-6	Steering Pivot (1/4-20 x 1-5/8)	2				
30	4451-13	Speed Control Actuator, LH (Includes Items # 22 & 28)	1				
31	5463-2	Steering Lever Actuator	2				
32	5222	Extension Spring (1/2 x 3-1/4)	2				
33	5450	D-Clip	2				
34	4452-4	Steering Lever Tube W/Tab	2				
35	5453-10	Steering Lever Handle / Adjustable (Includes Items # 36 & F345)	2				
36	5850-2	Handle Grip, Foam (5-1/2)	2				
37	4451-12	Speed Control Actuator, RH (Includes Items # 14 & 28)	1				

ELECTRICAL ASSEMBLY

ITEM NO.	PART NO.	DESCRIPTION	NO. REQ'D	ITEM NO.	PART NO.	DESCRIPTION	NO. REQ'D
Electrical Assembly				Fasteners			
1	5942-11	Delta Hex Nut	1	F002		10-24 Keps Nut	5
2	5942-9	Safety Switch (NO), Delta Threaded	1	F003		1/4-28 Hex Nut	1
3	7834-3	Wire Saddle (3 Wires)	3	F004		1/4-20 Keps Nut	6
4	7941-3	Boot, Circuit Breaker	1	F019		1/4-20 ESNA Wing Nut	2
5	7941-6	Circuit Breaker (15 Amp)	1	F026		10-24 x 1/2 PPHMS	3
6	8990-1	Hourmeter (Global)	1	F028		10-24 x 3/4 PPHMS	1
7	5975-1	Cable Tie (18# x 3-3/4")	2	F029		1/4-20 x 1/2 Hex Bolt	3
8	5932	Battery Terminal Insulation Black (-)	1	F031		1/4-20 x 5/8 Hex Bolt	2
9	5933	Battery Terminal Insulation Red (+)	1	F032		1/4-20 x 3/4 Hex Bolt	1
10	4940-6	Battery Cable 33"	1	F050		1/4 SAE Washer	4
11	6923	Battery Cable (-)	1	F112		5/8 x 1-1/4 x .03 Washer	3
12	6942	Relay Switch (30/40 Amp) NC (Includes Items # 14 & 15)	3	F349		Washer .835 ID 1.122 OD, SS	1
13	5835	Cable Clamp (3/4)	1	F381		1/4-20 Hex Nut	1
14	6941-6	Relay Switch (30/40 Amp)	*	F475		1/4-20 x 1 PFH Screw	1
15	6941-7	Relay Mount	*	F505		6-32 x 7/8 Hex Trim MS, SS	4
16	4940-7	Wire Harness	1	F506		6-32 Nylock Nut	4
17	5942-10	Safety Switch (NC), Delta Side Mount	1	* Service Part Only			
18	NS	Battery (12V/275CCA/Dry)	1				
19	5839	Hook Bolt	2				
20	4024-13	Safety Switch Plate	1				
21	5942-8	Safety Switch (NO), Delta Side Mount	1				
22	4910-4	Battery Cover	1				
23	8960-15	Ignition Switch W/Keys (Includes Items # 24, 25 & F349)	1				
24	7854	Plastic Tip, Red	1				
25	8960-3	Key Set W/Umbrella	1				

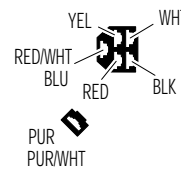
ELECTRICAL ASSEMBLY



DETAIL A



DETAIL B



DETAIL C



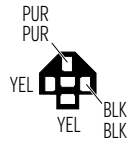
DETAIL D



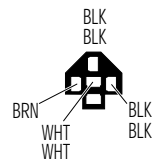
DETAIL E



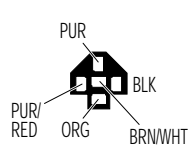
DETAIL F



DETAIL G



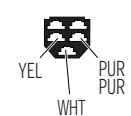
DETAIL H



DETAIL I



DETAIL J



Beginning S/N 124800
 Effective Date 10-01-13
 Use only genuine Walker® replacement parts.

LUBRICATION POINTS

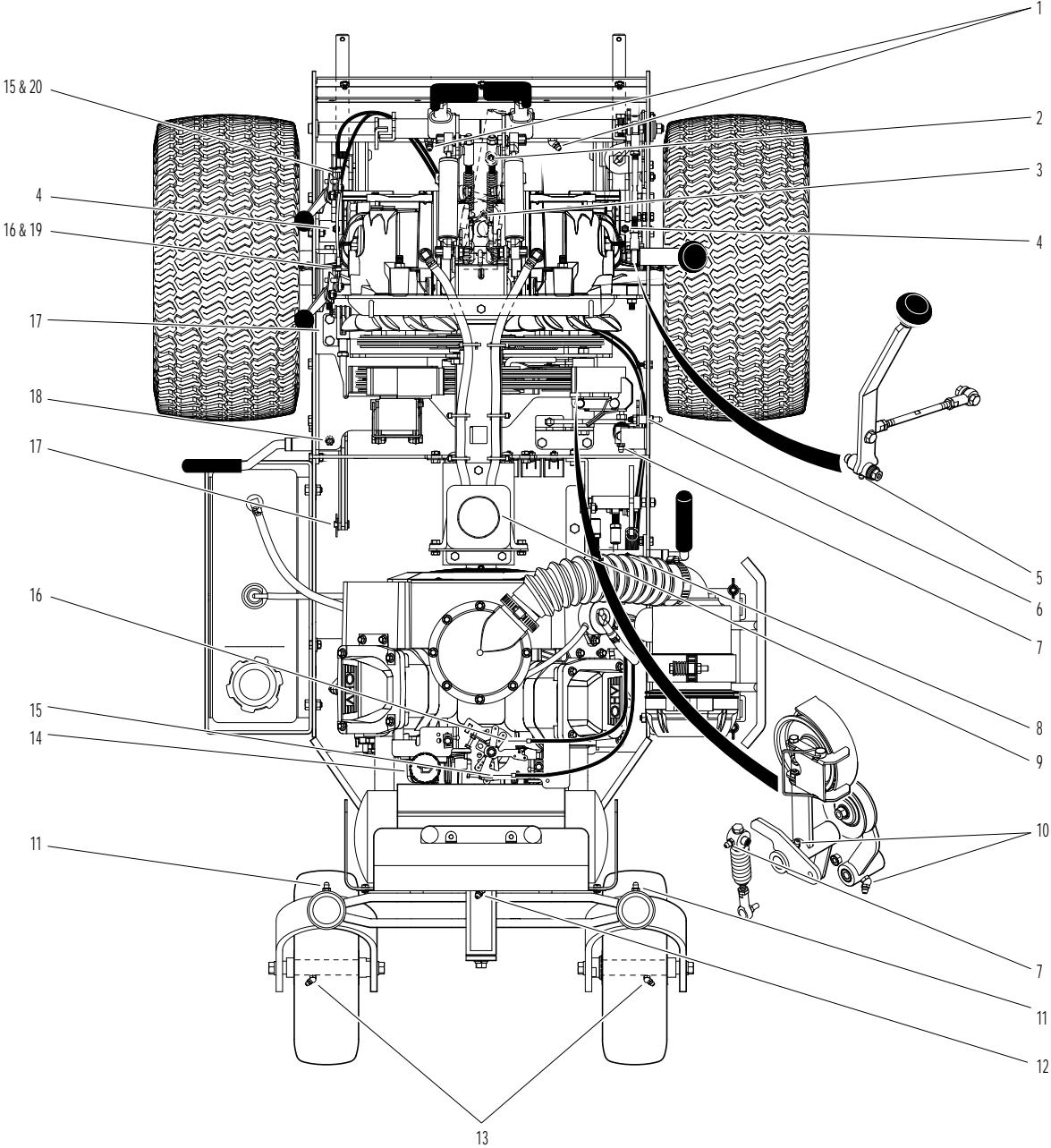
ITEM NO.	PART NO.	DESCRIPTION		NO. REQ'D	ITEM NO.	PART NO.	DESCRIPTION		NO. REQ'D
Lubrication Points									
1		Steering Lever Pivot	Grease	2	10		Clutch Engagement Pivot	Grease	2
2		Deck-to-PTO Coupling (Grease Spline Slide Area)	Grease	1	11		Tail Wheel Caster Fork Pivot	Grease	2
3		Universal Joint Tube Assembly	Grease*	1	12		Rear Axle Pivot	Grease	1
4		Deck Support Arm Pivot	Grease	2	13		Rear Wheel Bearing	Grease	2
5		FSC Lever Pivot	Grease	1	14		Engine Oil Filler / Dipstick	Oil**	1
6		Body Latch Pivot	Oil	1	15		Throttle Control Cable Ends	Oil	2
7		Clutch Actuator Push Rod	Grease	1	16		Choke Control Cable Ends	Oil	2
8		PTO Clutch Lever Pivot	Grease	1	17		Parking Brake Clevis	Oil	2
9		Transaxle Oil Reservoir	Oil/20W-50	1	18		Parking Brake Lever	Grease	1
					19		Choke Control Pivot	Oil	1
					20		Throttle Control Pivot	Oil	1

* Grease every eight (8) hours.

** Refer to MB **Operator's Manual** for procedure for checking and changing oil in Engine Crankcase.

NOTE: See Model MB **Operator's Manual** for proper lubrication intervals.

LUBRICATION POINTS



Beginning S/N 124800
Effective Date 10-01-13
Use only genuine Walker® replacement parts.

WIRING SCHEMATIC

WALKER MODEL B19 Beginning S/N 2010-104768

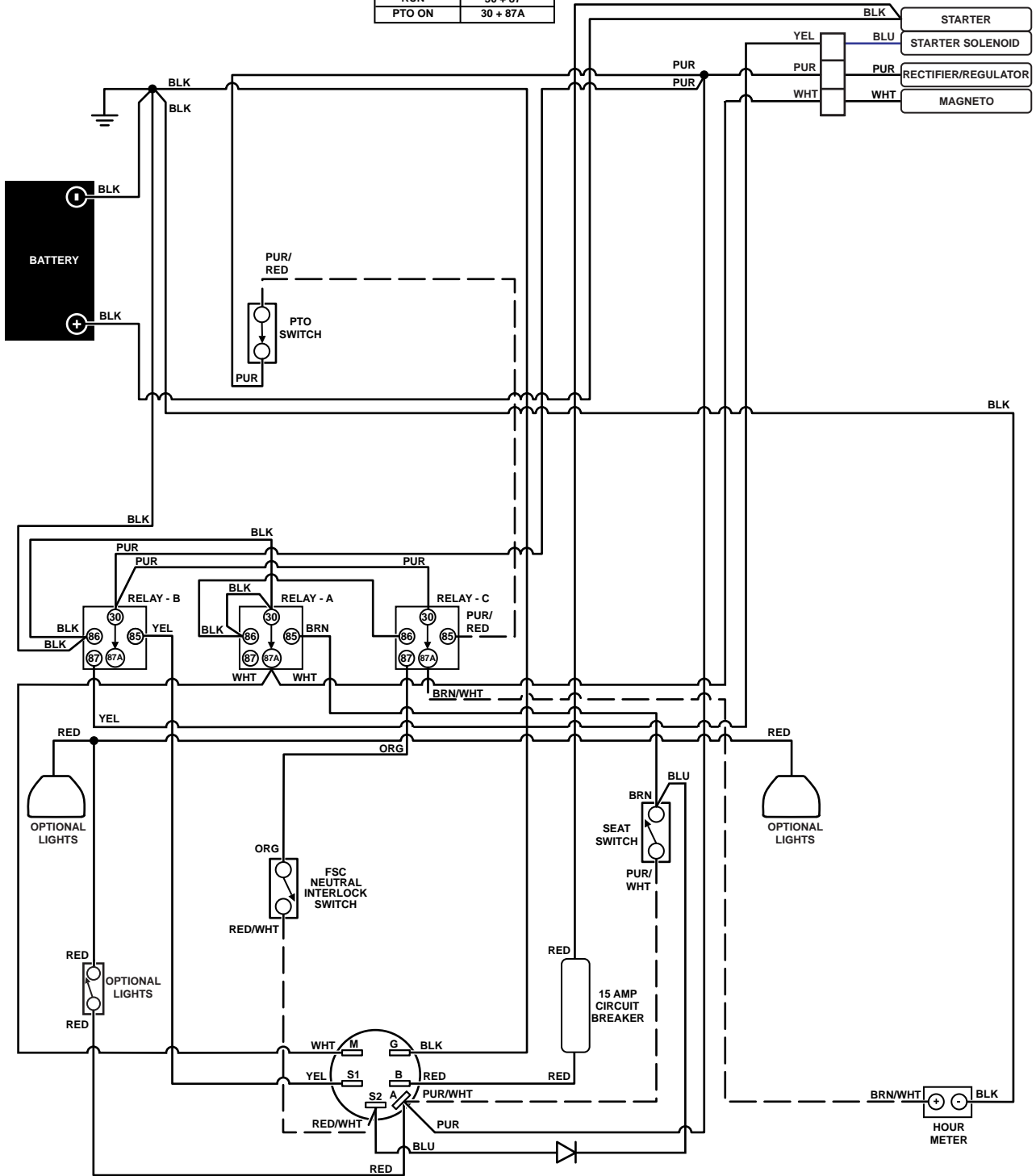
RELAY - A	
IGNITION RELAY	
OFF	30 + 87A
START	30 + 87
RUN	30 + 87
PTO ON	30 + 87A

RELAY - C	
IGNITION RELAY	
OFF	30 + 87A
START	30 + 87
RUN	30 + 87
PTO ON	30 + 87A

RELAY - B	
START RELAY	
OFF	30 + 87A
START	30 + 87
RUN	30 + 87
PTO ON	30 + 87A

IGNITION SWITCH CIRCUITS	
OFF	G + M
START	B + A / S1 + S2
RUN	B + A

S1 = START CIRCUIT
 S2 = START/ACCESSORY CIRCUIT
 M = MAGNETO GROUND CIRCUIT
 B = BATTERY CIRCUIT
 A = ACCESSORY CIRCUIT
 G = GROUND CIRCUIT



Beginning S/N 124800

Effective Date 10-01-13

Use only genuine Walker® replacement parts.

OPERATOR'S NOTES

LIMITED WARRANTY FOR WALKER MODEL B19 RIDER MOWERS

1. WHAT THIS WARRANTY COVERS, AND FOR HOW LONG:

Walker Manufacturing company will, at its option, repair or replace, without charge, any part covered by this warranty which is found to be defective in material and/or workmanship within one (1) year* after date of sale to the original retail purchaser unless the product is used for rental purposes, in which case this warranty is limited to ninety (90) days. At Walker's request, customer will make the defective part available for inspection by Walker and/or return the defective part to Walker, transportation charges prepaid. All parts and components of the Walker Mower are covered by this warranty **except** the following components which are warranted separately by their respective manufacturers:

Kohler Engine
Battery

The available warranties covering these items are furnished with each mower. Walker does not assume any warranty obligation, liability or modification for these items, which are covered exclusively by the stated warranty of the respective manufacturers noted above.

* Extended warranties are offered for the following powertrain components:

- A two (2) year or 2000 hour (whichever comes first) warranty is offered for Hydro-Gear ZT3100 Hydrostatic transaxle; covers full cost of replacement up to 1000 hours of use, and after 1000 hours warranty coverage is prorated against 2000 hours.

2. WHAT THIS WARRANTY DOES NOT COVER:

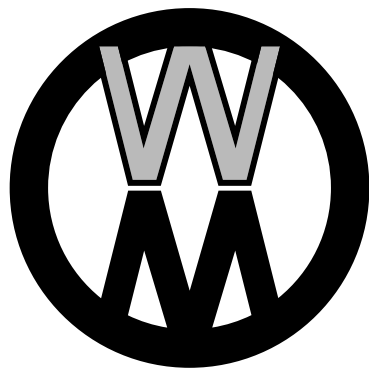
- A. This warranty does not cover defects caused by depreciation or damage caused by normal wear, accidents, improper maintenance, improper use or abuse of the product, alterations, or failure to follow the instructions contained in the Operator's Manual for operation and maintenance.
- B. The customer shall pay any charges for making service calls and/or for transporting the mower to and from the place where the inspection and/or warranty work is performed.

3. HOW TO OBTAIN SERVICE UNDER THIS WARRANTY:

Warranty service can be arranged by contacting the dealer where you purchased the mower or by contacting Walker Manufacturing Company, 5925 East Harmony Road, Ft. Collins, CO 80528. Proof of the date of purchase may be required to verify warranty coverage.

4. WARRANTY LIMITATION:

- A. **THERE IS NO OTHER EXPRESS WARRANTY. ANY WARRANTY THAT MAY BE IMPLIED FROM THIS PURCHASE INCLUDING MERCHANTABILITY AND FITNESS FOR A PARTICULAR PURPOSE IS HEREBY LIMITED TO THE DURATION OF THIS WARRANTY AND TO THE EXTENT PERMITTED BY LAW ANY AND ALL IMPLIED WARRANTIES ARE EXCLUDED.** Some states do not allow limitations on how long an implied warranty lasts, so the above limitations may not apply to you.
- B. **WALKER WILL NOT BE LIABLE FOR ANY INCIDENTAL, CONSEQUENTIAL, OR SPECIAL DAMAGES AND/OR EXPENSES IN CONNECTION WITH THE PURCHASE OR USE OF THE MOWER.** Some states do not allow the exclusion or limitation of incidental or consequential damages, so the above limitation(s) or exclusion(s) may not apply to you.
- C. Only the warranty expressed in this limited warranty shall apply and no dealer, distributor, or individual is authorized to amend, modify, or extend this warranty in any way. Accordingly, additional statements such as dealer advertising or presentations, whether oral or written, do not constitute warranties by Walker, and should not be relied upon.
- D. This warranty gives you specific legal rights, and you may also have other rights which vary from state to state.



WALKER

WALKER MFG. CO. • 5925 E. HARMONY ROAD, FORT COLLINS, CO 80528 • (970) 221-5614
FORM NO. 100113 PRINTED IN USA www.walkermowers.com ©2014 WALKER MFG. CO