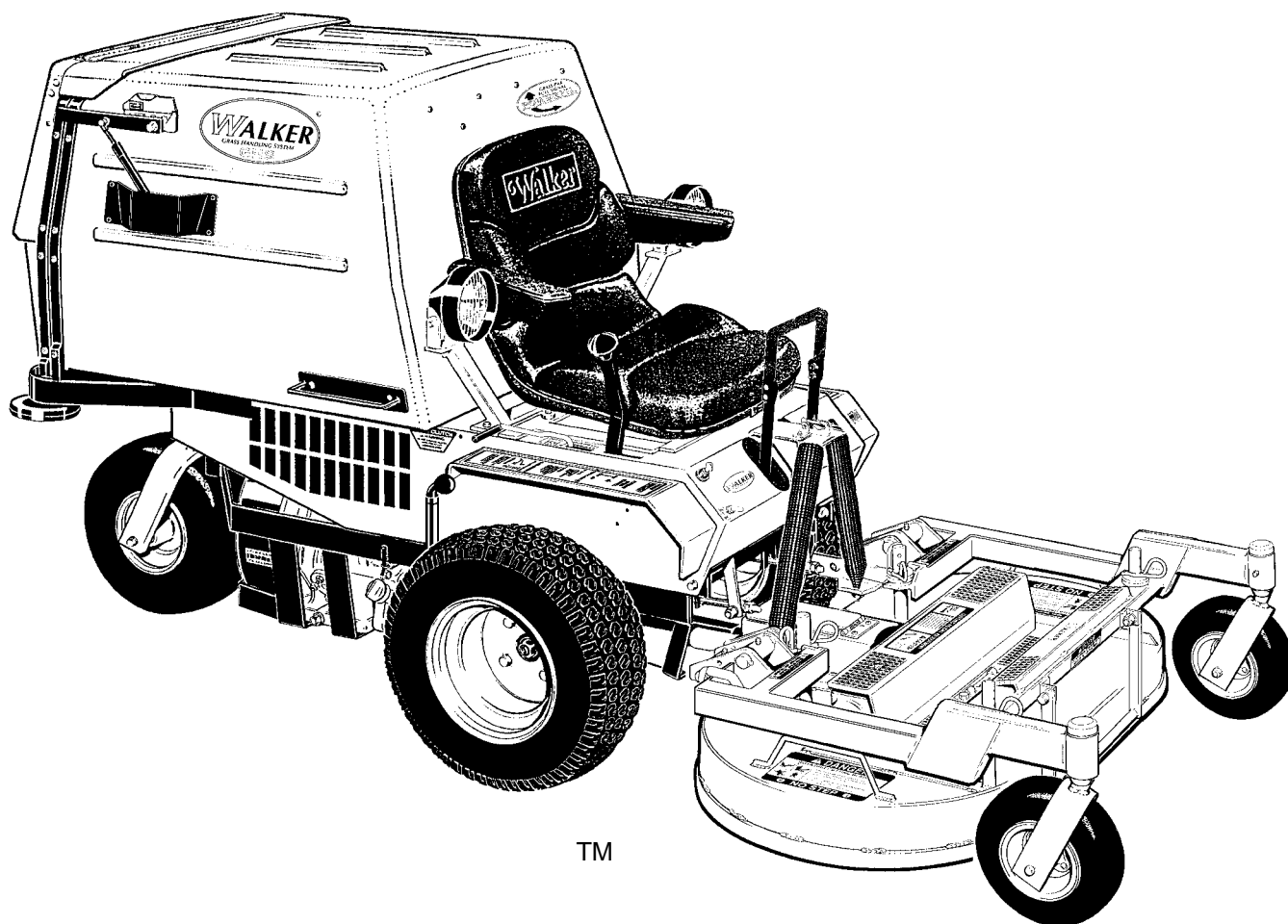


# Walker Rider Lawnmowers

## ILLUSTRATED PARTS MANUAL

Model MS (13 HP)  
(Covers Serial Numbers 95-20381 and on)



TM

CE

Effective Date:  
03-02-04

P/N 5000-12  
Price \$5.00

# KEY TO ABBREVIATIONS USED IN THIS MANUAL

<i>Abbreviation</i>	<i>What it Represents</i>
° (Dimension)	Degrees (Angle)
" (Dimension)	inches
(-)	Negative (Polarity)
(+)	Positive (Polarity)
AT	All-Terrain
CCW	Counter-clockwise
Conn.	Connector
CW	Clockwise
D	Diameter
DGHS	Deck, Grass Handling System (number refers to size in inches)
DML	Deck, Mulching (number refers to size in inches)
DSD	Deck, Side Discharge (number refers to size in inches)
DU	Garlock (Bearing)
ESNA (Fastener)	Nylon Insert Locknut
FSC	Forward Speed Control
GA	Gauge
gal.	gallon
GHS	Grass Handling System
GR (Fastener)	Grade
HP	Horse Power
HT	Heat-Treated
ID	Identification or Inside Diameter
L	Length
LH	Left Hand (orientated with operator on seat)
LP	Low Profile
mm (Dimension)	millimeters
MS (Fastener)	Machine Screw
NS (as part number)	Item is not sold by Walker Manufacturing
OD	Outside Diameter
oz.	ounce
PFH (Fastener)	Phillips Flat Head
P/N	Part Number
PPH (Fastener)	Phillips Pan Head
PTH (Fastener)	Phillips Truss Head
PTO	Power Take-Off
QKS	Quick Slide
qt.	quart
RH	Right Hand (orientated with operator on seat)
SAE (Fastener)	Society of Automotive Engineers
SBH (Fastener)	Socket Button Head (Bolt)
SD	Side Discharge
SFH (Fastener)	Slotted Flat Head
SHC (Fastener)	Socket Head Cap
SHL (Fastener)	Shoulder (Bolt)
SM (Fastener)	Sheet Metal (Screw)
S/N	Serial Number
Spg.	Spring
SQH (Fastener)	Square Head
SS (Fastener)	Stainless Steel
ST (Fastener)	Self-Tapping (Screw)
Term.	Terminal
V	Volts

**NOTE:** In some instances, combinations of abbreviations may be used (e.g. PPHMS - Phillips Pan Head Machine Screw).

Use only genuine **Walker**<sup>®</sup> replacement parts.

Effective Date 03-02-04

# ILLUSTRATED PARTS LIST

<i>Section of Mower Covered</i>	<i>Page</i>	<i>Section of Mower Covered</i>	<i>Page</i>
<hr/>		<hr/>	
<b>Decals</b>		<b>Electrical Components</b>	
Tractor Decals .....	2	Electrical Assembly .....	30
<b>Body / Chassis Assemblies</b>		Electrical Assemblies (GHS 6.7 Bushel Components) .....	32
Body / Chassis Assembly (GHS Models) .....	4	Electrical Connectors .....	34
Body Assembly (SD Models) .....	6	<b>Options and Kits</b>	
<b>Tractor Components</b>		Armrest Kit / Touch-up Paint .....	36
Main Component Power Transmission (GHS Models) .....	8	Comfort Seat / Armrest Kit .....	38
(SD Models) .....	10	Suspension Seat Kit .....	40
Engine Group .....	12	Light Kit .....	42
Engine Group (Beginning Serial Number 2004-68821) .....	14	No Catch Deflector Kit (6.7 Bushel) .....	44
Hydrostatic Ground Drive Assemblies .....	16	Optional Tires & Tire Chain Sets .....	46
Parking Brake Assembly .....	18	<b>Maintenance</b>	
Steering Control Assemblies .....	20	Lubrication Points .....	48
Throttle & Choke Control Assemblies .....	22	Wiring Schematic .....	50
GHS Group .....	24	<b>Operator's Notes</b> .....	51
GHS Powerfil <sup>®</sup> Assembly .....	26	<b>Warranty</b>	
GHS 6.7 Bushel Catcher & Exhaust Deflector Assemblies .....	28	Limited Warranty .....	53

# TRACTOR DECALS

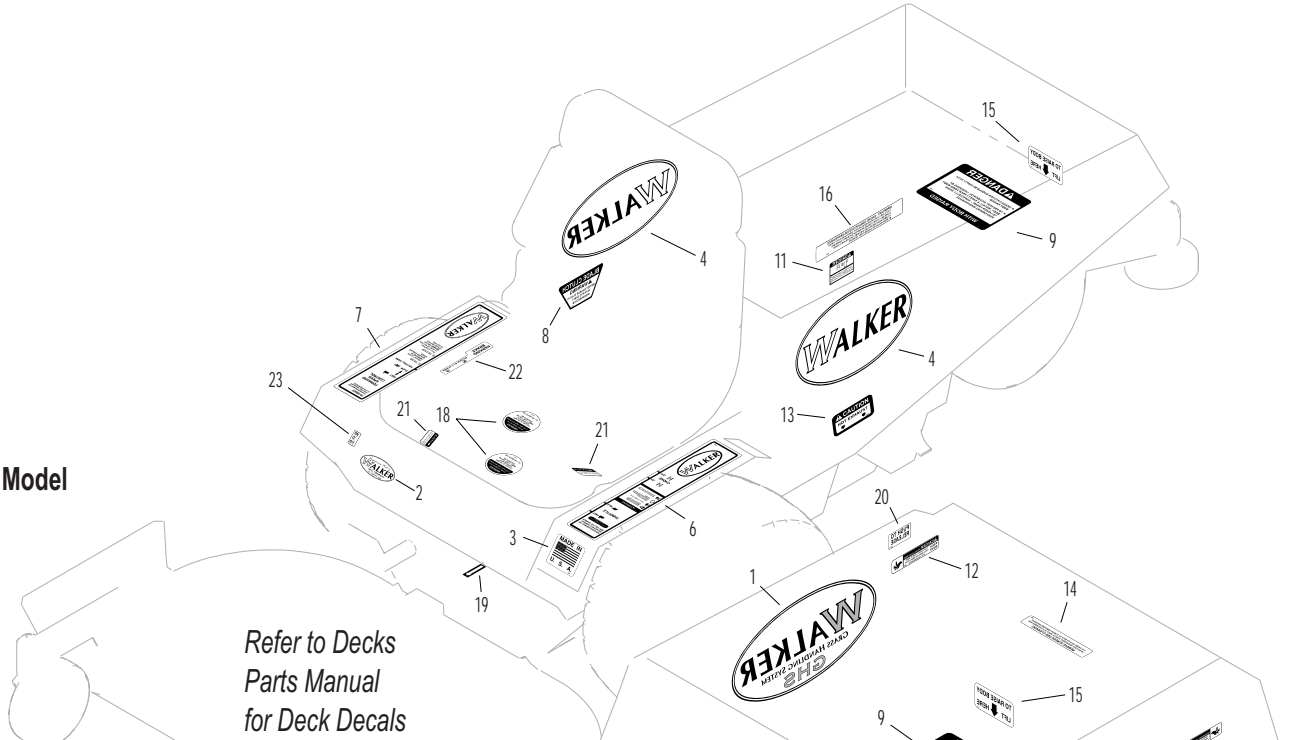
ITEM NO.	PART NO.	DESCRIPTION	LOCATION	NO. REQ'D. GHS	NO. REQ'D SD
<b>Walker Product Decals</b>					
1	5801	GHS	6.7 Bushel Catcher (one on each side)	2	0
2	5803	Walker Manufacturing Logo	Body	1	1
3	5856	Made in USA	Body, Spring Bracket	1	1
4	5800	Walker Mower (4 x 7-1/2)	Utility Bed (one on each side)	0	2
5	5813-1	Powerfil®	6.7 Bushel Catcher, Front	1	0
6	5802-2	LH Fender	Body, LH near Seat	1	1
7	5802-1	RH Fender	Body, RH near Seat	1	1
8	5806	Blade Clutch	Body, RH Side	1	1
<b>Danger Decals Warning Decals Caution Decals</b>					
9	5861	Danger, Raised Body	Body - Underside, Center	1	1
10	5804	Danger, Rotating Blower Blades	Body near Body Chute	1	0
11	6810	Danger, Engine Exhaust	Engine	1	1
12	5868	Danger, Pinch Point	6.7 Bushel Catcher Mounting Frame Assembly (one on each side)	2	0
13	5805	Caution, Engine Exhaust	Body, LH Side	1	1
<b>Maintenance Decals</b>					
14	5869	Removable Screen	6.7 Bushel Catcher Removable Screen	1	0
15	5815	Body Lift	Rear Bumper	1	1
16	5855	Important, Engine Cooling	Engine	1	1
17	5819	Blower Maintenance	Blower Housing	1	0
18	5810-2	Reservoir	Hydrostatic Drives (one on each)	2	2
19	6875	PTO Alignment Arrow	Universal Joint Tube Assembly	1	1
20	5874	Push to Release	6.7 Bushel Catcher Safety Latch	1	0
21	5810-1	Axle Oil Level	Gear Axle Drive Assemblies (one on each)	2	2
22	7809	Parking Brake	Body, RH below seat (Gear Drive Models only)	1	1
<b>Option Decals*</b>					
23	5877	Lights, On-Off	Body	1	1
	8500-8	No Catch Deflector	6.7 Bushel No Catch Deflector, LH Side (Refer to 6.7 Bushel No Catch Deflector Kit Listing)	1	0
	8500-9	No Catch Deflector, Off-On	Body, RH above fender (Refer to 6.7 Bushel No Catch Deflector Kit Listing)	1	0

\* Option Decals applied only to units with corresponding Options installed.

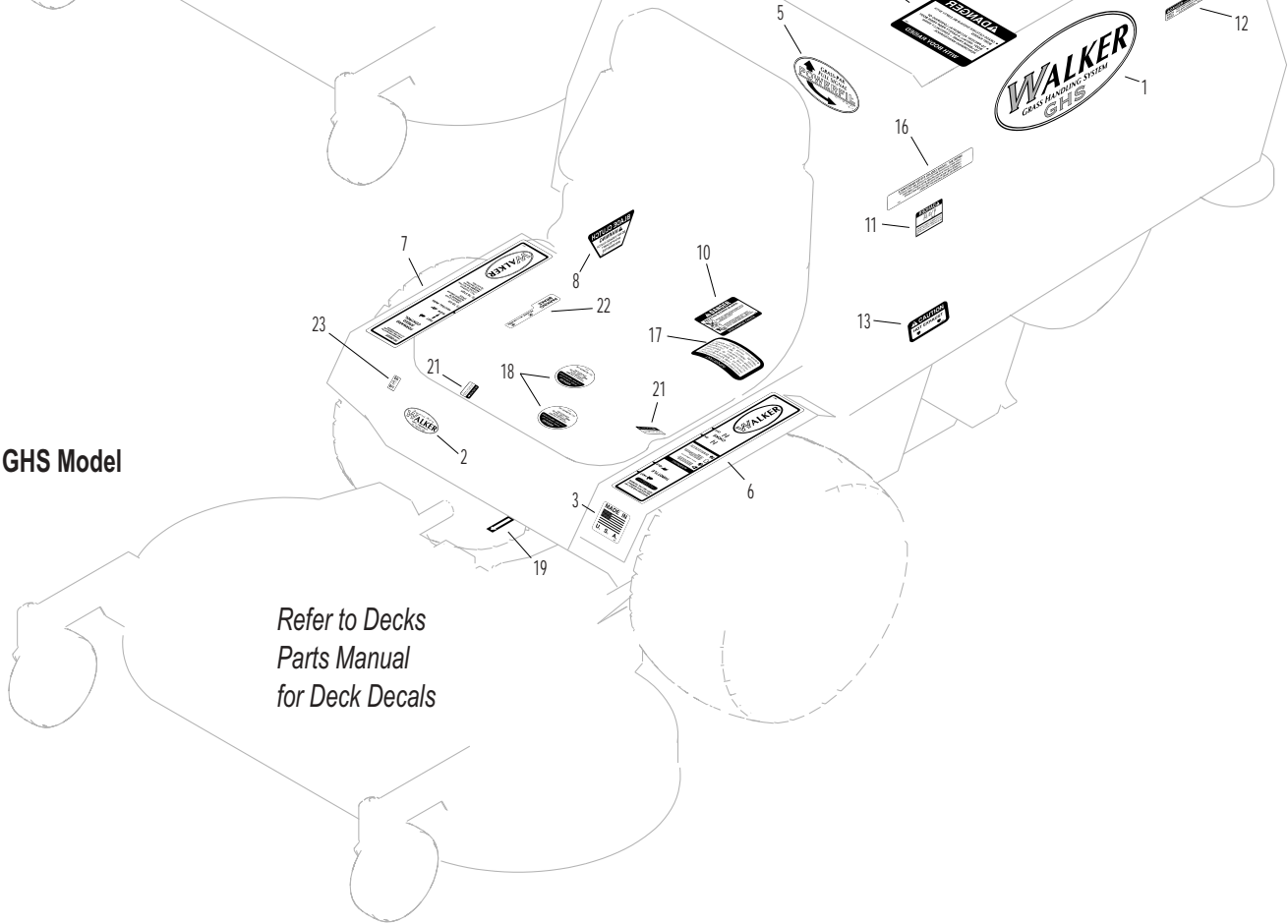
**NOTE:** All parts requiring decals are shipped with decals applied.

# TRACTOR DECALS

## SD Model

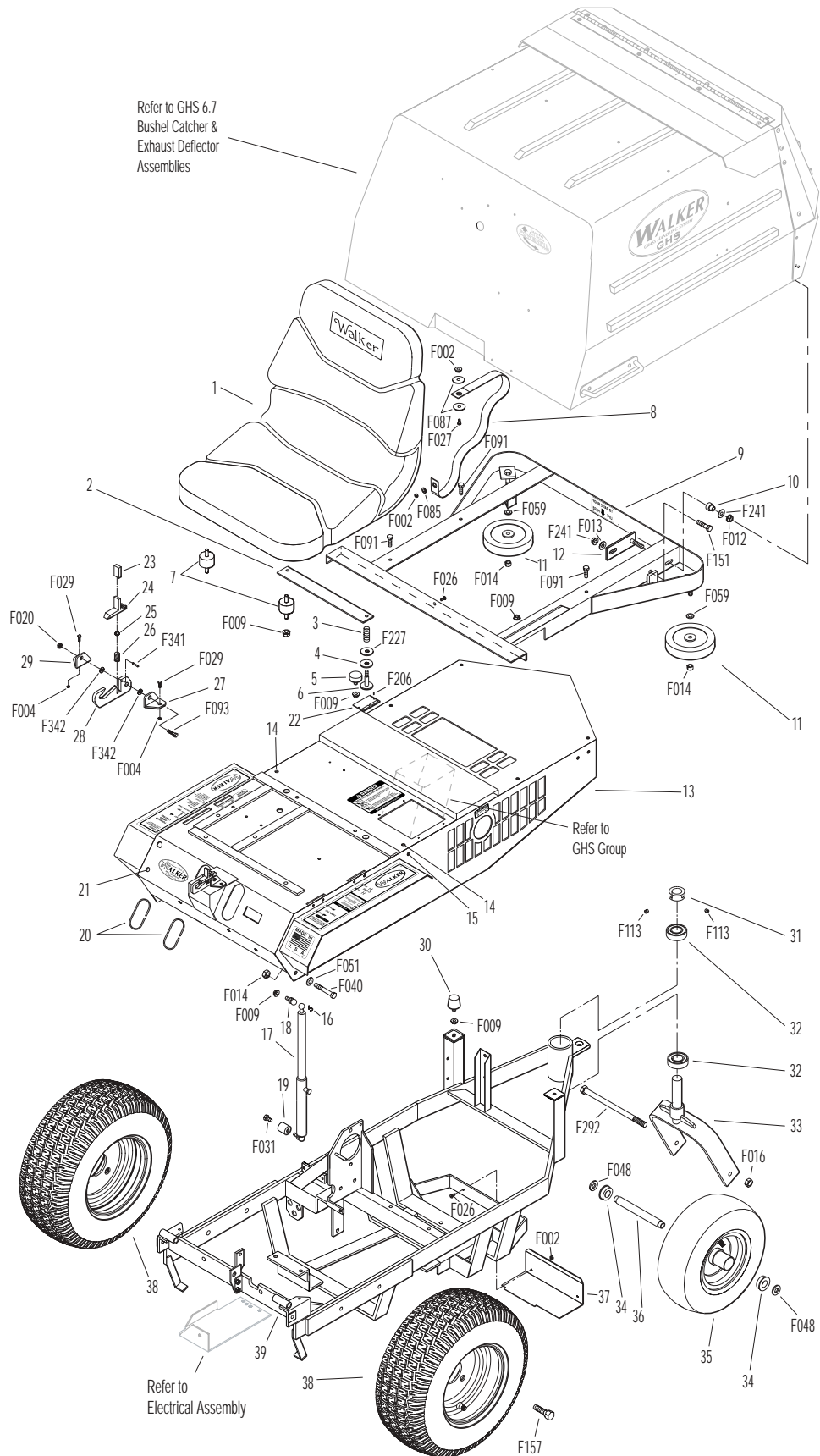


## GHS Model





# BODY / CHASSIS ASSEMBLY (GHS MODELS)



## BODY ASSEMBLY (SD MODELS)

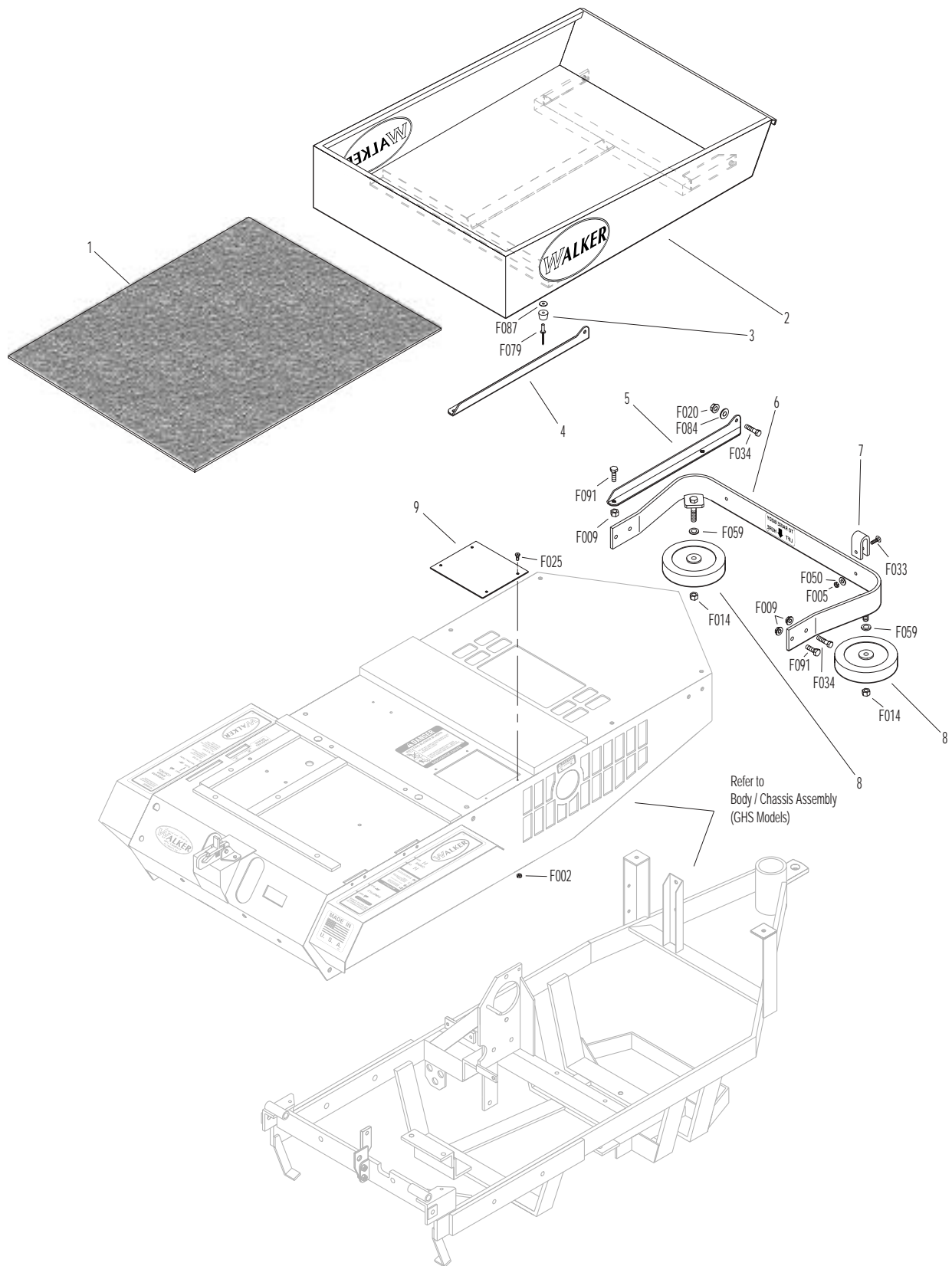
ITEM NO.	PART NO.	DESCRIPTION	NO. REQ'D	ITEM NO.	PART NO.	DESCRIPTION	NO. REQ'D
<b>Utility Bed Assembly</b>				<b>Fasteners</b>			
1	8650-10	Bed Liner	1	F002		10-24 Keps Nut	4
2	5650	Utility Bed	1	F005		1/4-20 ESNA Nut	2
3	5588	Rubber Bumper (.75 OD x .50)	3	F009		5/16-18 Whiz Locknut	8
4	5651-2	Utility Bed Mount, RH	1	F014		3/8-16 ESNA Nut	2
5	5652-3	Utility Bed Mount, LH	1	F020		5/16-18 ESNA Nut	2
<b>Rear Bumper Assembly (SD Models Only)*</b>				F025		10-24 x 3/8 PPHMS	4
6	5112	Rear Bumper	1	F033		1/4-20 x 1 PTH Bolt	2
7	5161	Bumper Pad	2	F034		5/16-18 x 3/4 Hex Bolt	4
8	5162	Roller Wheel (5")	2	F050		1/4 SAE Washer	2
9	7153-3	Cover Plate	1	F059		3/8 Wave Spring Washer	2
				F079		A/A66D Aluminum Pop Rivet	3
				F084		5/16 Wave Spring Washer	2
				F087		#10 x 7/8 Fender Washer	3
				F091		5/16-18 x 5/8 Hex Bolt	6

\* Rear Bumper Assembly for GHS Models is not shown here. Refer to **BODY / CHASSIS ASSEMBLY (GHS MODELS)**, Page 4.

**NOTE:** Refer to **BODY / CHASSIS ASSEMBLY (GHS MODELS)**, Page 4, for all common parts used on both models.



# BODY ASSEMBLY (SD MODELS)



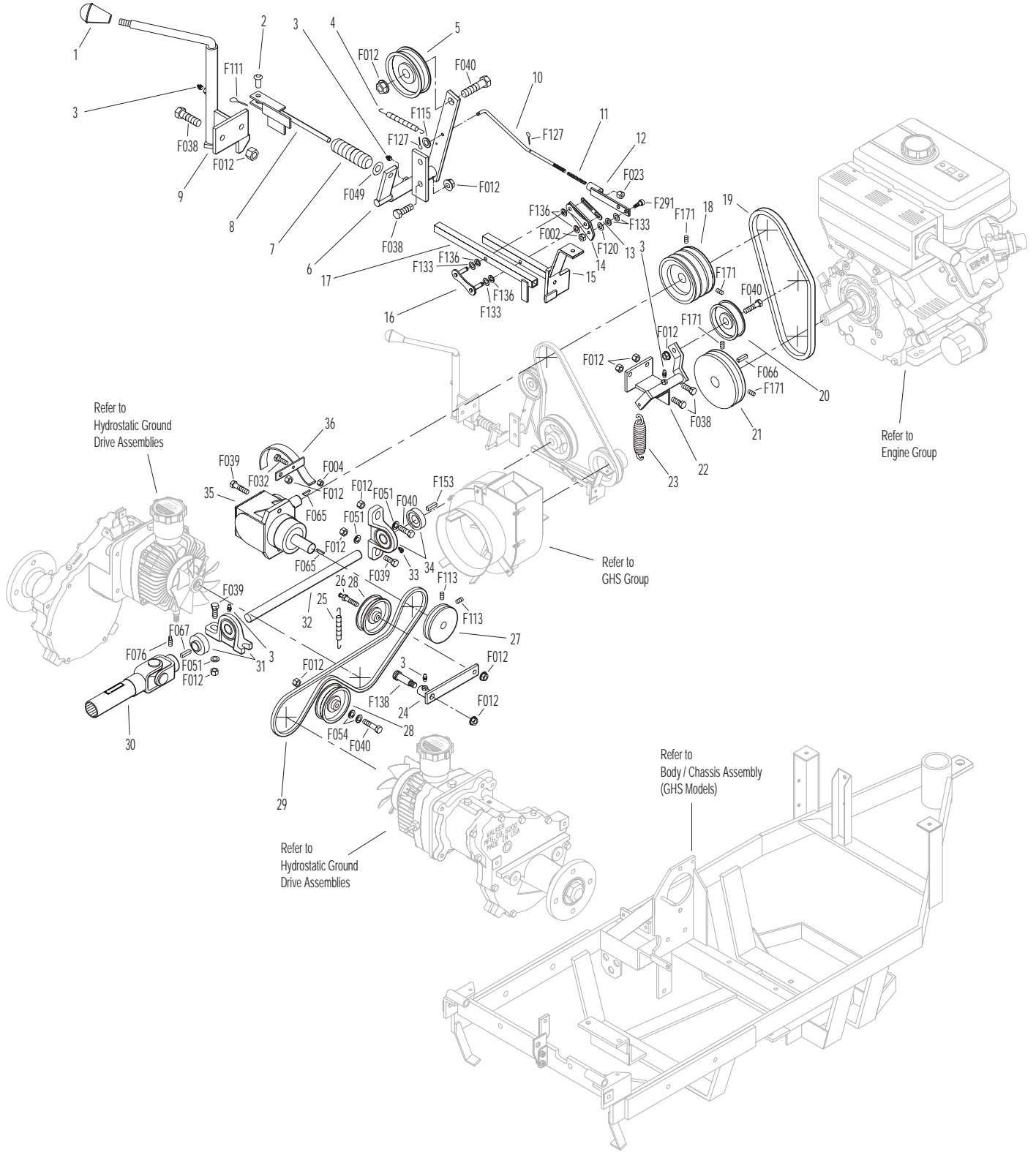
# MAIN COMPONENT POWER TRANSMISSION (GHS MODELS)

ITEM NO.	PART NO.	DESCRIPTION	NO. REQ'D	ITEM NO.	PART NO.	DESCRIPTION	NO. REQ'D
<b>Clutch Control Assembly</b>				<b>PTO Drive Shaft Assembly</b>			
1	5860	Knob, PTO Clutch	1	27	5236-1	Transmission Drive Pulley (3-1/4/A) (Includes Items # F065 & F171)	1
2	5281-2	Clevis Pin (5/16 x 7/8)	1	28	5245	Idler Pulley (3")	2
3	5830	Grease Fitting	5	29	5232	Ground Drive Belt (#6847 or AX45)	1
4	5229	Extension Spring (1/2 x 2-1/4)	1	30	5275-15	Universal Joint Tube Assembly (Includes Item # F076)	1
5	5244	PTO Idler Pulley (3-1/2)	1	31	5264	Pillowblock Bearing, Short Mount (Includes Item # 3)	1
6	5346-3	PTO Belt Tightener (Includes Item # 3)	1	32	5274	PTO Drive Shaft	1
7	7226	Compression Spring (3/4 x 2-1/2)	1	33	5830-4	Grease Fitting (90 Degree)	1
8	5406-2	Clutch Actuator	1	34	5263	Pillowblock Bearing (Includes Item # 33)	1
9	5410	Clutch Control Lever (Includes Item # 3)	1	35	5050-1	Right Angle Gearbox	1
<b>Blower Brake Assembly</b>				36	5480-2	Belt Guide, PTO Drive	1
10	5359-2	Brake Actuator Rod	1	<b>Fasteners</b>			
11	5529-1	Spring, Blower Brake	1	F002	10-24 Keps Nut		2
12	5357-3	Brake Actuator Arm	1	F004	1/4-20 Keps Nut		1
13	5355-3	Retainer Clip	1	F012	3/8-16 Keps Nut		17
14	5355-2	Brake Actuator Link	1	F023	10-24 ESNA Nut		1
15	5360	Brake Mount	1	F032	1/4-20 x 3/4 Hex Bolt		1
16	5355-1	Brake Link	1	F038	3/8-16 x 1 Hex Bolt		6
17	5358	Brake Bar	1	F039	3/8-16 x 1-1/4 Hex Bolt		5
<b>Engine Belt Tightener Assembly</b>				F040	3/8-16 x 1-1/2 Hex Bolt		4
18	5240-2	Compound Pulley (4-1/4 / A/B)	1	F049	5/16 SAE Washer		1
19	5230-2	Engine Belt (#6932 or BX30)	1	F051	3/8 SAE Washer		4
20	5247-2	V-Groove Idler Pulley (4")	1	F054	AN960616 Washer		2
21	5237	Engine Pulley (4 / B)	1	F065	3/16 x 3/4 Woodruff Key (#9)		2
22	5495	Engine Belt Tightener Assembly (Includes Item # 3)	1	F066	1/4 x 1/4 x 3/4 Key		1
23	5221	Extension Spring, Transmission (3/4 x 4)	1	F067	3/16 x 3/16 x 1 Key		1
<b>Transmission Belt Tightener Assembly</b>				F076	3/8-16 x 5/8 SQH Set Screw		1
24	5290-2	Belt Tightener Arm (Includes Item # 3)	1	F111	1/8 x 3/4 Cotter Pin		1
25	5227-1	Extension Spring (1/2 x 4)	2	F113	5/16-18 x 5/16 Set Screw		2
26	6237	Bolt & Spring Hook	1	F115	#8 SAE Washer		1
				F120	AN960416 Washer		1
				F127	1/16 x 1/2 Cotter Pin		2
				F133	1/4 Wave Spring Washer		4
				F136	AN960C416L Washer		4
				F138	3/8-16 x 1/2 x 1-1/2 SHL Bolt		1
				F153	3/16 x 3/16 x 1-1/4 Key		1
				F171	5/16-18 x 3/8 Set Screw		4
				F291	1/4 x 1/4 Shoulder Bolt		1

Use only genuine **Walker**<sup>®</sup> replacement parts.

Effective Date 03-02-04

# MAIN COMPONENT POWER TRANSMISSION (GHS MODELS)



# MAIN COMPONENT POWER TRANSMISSION (SD MODELS)

ITEM NO.	PART NO.	DESCRIPTION	NO. REQ'D	ITEM NO.	PART NO.	DESCRIPTION	NO. REQ'D
<b>Clutch Control Assembly</b>				23	5275-15	Universal Joint Tube Assembly (Includes Item # F076)	1
1	5860	Knob, PTO Clutch	1	24	5264	Pillowblock Bearing, Short Mount (Includes Item # 3)	1
2	5281-2	Clevis Pin (5/16 x 7/8)	1	25	5274	PTO Drive Shaft	1
3	5830	Grease Fitting	5	26	5050-1	Right Angle Gearbox	1
4	5244	PTO Idler Pulley (3-1/2)	1	27	5480-2	Belt Guide, PTO Drive	1
5	5229	Extension Spring (1/2 x 2-1/4)	1	<b>Transmission Belt Tightener Assembly</b>			
6	5346-1	PTO Belt Tightener (Includes Item # 3)	1	28	5290-2	Belt Tightener Arm (Includes Item # 3)	1
7	7226	Compression Spring (3/4 x 2-1/2)	1	29	5227-1	Extension Spring (1/2 x 4)	2
8	5406-2	Clutch Actuator	1	30	6237	Bolt & Spring Hook	1
9	5410	Clutch Control Lever (Includes Item # 3)	1	<b>Fasteners</b>			
<b>Engine Belt Tightener Assembly</b>					F002	10-24 Keps Nut	1
10	5240-2	Compound Pulley (4-1/4 / A/B)	1	F004	1/4-20 Keps Nut	1	
11	5230-2	Engine Belt (#6932 or BX30)	1	F012	3/8-16 Keps Nut	17	
12	5247-2	V-Groove Idler Pulley (4")	1	F032	1/4-20 x 3/4 Hex Bolt	1	
13	5237	Engine Pulley (4 / B)	1	F038	3/8-16 x 1 Hex Bolt	6	
14	5495	Engine Belt Tightener Assembly (Includes Item # 3)	1	F039	3/8-16 x 1-1/4 Hex Bolt	5	
15	5221	Extension Spring, Transmission (3/4 x 4)	1	F040	3/8-16 x 1-1/2 Hex Bolt	4	
<b>PTO Drive Shaft Assembly</b>					F049	5/16 SAE Washer	1
16	5238-2	PTO Drive Pulley (5 / B) (Includes Items # F075 & F114)	1	F051	3/8 SAE Washer	4	
17	5234-1	SD PTO Belt (6935 Gates)	1	F054	AN960616 Washer	2	
18	5263	Pillowblock Bearing (Includes Item # 19)	1	F065	3/16 x 3/4 Woodruff Key (#9)	2	
19	5830-4	Grease Fitting (90 Degree)	1	F066	1/4 x 1/4 x 3/4 Key	1	
20	5236-1	Transmission Drive Pulley (3-1/4/A) (Includes Items # F065 & F171)	1	F067	3/16 x 3/16 x 1 Key	1	
21	5245	Idler Pulley (3")	2	F075	5/16-18 x 1/2 SQH Set Screw	1	
22	5232	Ground Drive Belt (#6847 or AX45)	1	F076	3/8-16 x 5/8 SQH Set Screw	1	
				F111	1/8 x 3/4 Cotter Pin	1	
				F113	5/16-18 x 5/16 Set Screw	2	
				F114	5/16-18 x 5/8 SQH Set Screw	1	
				F138	3/8-16 x 1/2 x 1-1/2 SHL Bolt	1	
				F153	3/16 x 3/16 x 1-1/4 Key	1	
				F171	5/16-18 x 3/8 Set Screw	4	

Use only genuine **Walker**<sup>®</sup> replacement parts.

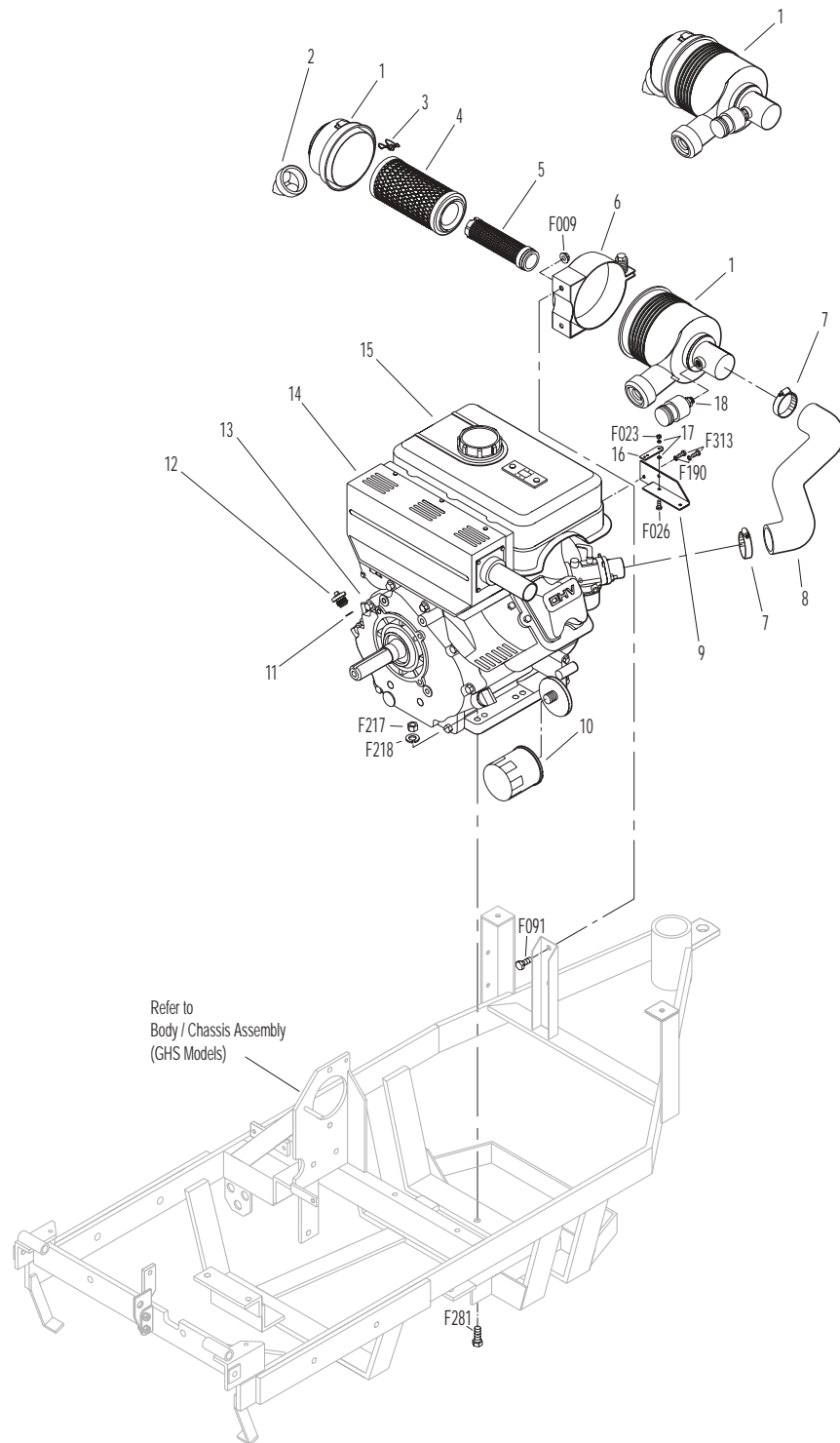
Effective Date 03-02-04



# ENGINE GROUP

ITEM NO.	PART NO.	DESCRIPTION	NO. REQ'D	ITEM NO.	PART NO.	DESCRIPTION	NO. REQ'D
<b>Air Cleaner &amp; Engine Assembly</b>				<b>Fasteners</b>			
1	5090	Air Cleaner w/Valve (Includes Items # 2-5 & 18)	1	F009		5/16-18 Whiz Locknut	2
2	5090-2	Vacuator™ Valve	1	F023		10-24 ESNA Nut	1
3	5088-5	Air Cleaner Draw Latch	2	F026		10-24 x 1/2 PPHMS	1
4	5090-1	Air Cleaner Cartridge	1	F091		5/16-18 x 5/8 Hex Bolt	2
5	5090-3	Safety Filter	1	F190		#10 Internal Star Lock Washer	2
6	5088-1	Air Cleaner Band	1	F217		7/16-14 Hex Nut	4
7	7840	Hose Clamp (1-5/16 to 2-1/4)	2	F218		7/16 Split Lock Washer	4
8	5087	Air Intake Hose	1	F281		7/16-14 x 1-3/4 Hex Bolt	4
9	5123	Throttle / Choke Mount	1	F313		M5 x .8 x 12 Machine Screw	2
	5128	Choke Arm & Mount Assembly (Includes Items # 9, 16, 17, F023 & F026)	*	* Service Part Only			
10	NS	Oil Filter (Kawasaki 49065-2071)	1				
11	NS	O-Ring (Kawasaki 670B2015)	1				
12	NS	Engine Plug (Kawasaki 92066-2003)	1				
13	NS	13 hp Engine (Kawasaki FE4000, AS04) (Includes Items # 12, 13 & 15)	1				
14	NS	Muffler (Kawasaki 49069-2285-9X)	1				
15	NS	Fuel Tank (Kawasaki 51001-2258-9H)	1				
16	5124	Choke Actuator Arm	1				
17	5982-2	Insulator Bushing	2				
18	5091-11	Air Flow Indicator & Nipple	1				

# ENGINE GROUP



## ENGINE GROUP (BEGINNING S/N 2004-68821)

ITEM NO.	PART NO.	DESCRIPTION	NO. REQ'D	ITEM NO.	PART NO.	DESCRIPTION	NO. REQ'D
<b>Engine Assembly</b>				<b>Fasteners</b>			
1	5100-7	Body	1	F032		1/4-20 x 3/4 Hex Bolt	2
2	NS	13 hp Engine (Kawasaki FE4000, AS04)	1	F050		1/4 SAE Washer	2
3	7833	Cable Clamp (7/8 x 1/4)	1	F061		1/4 Star Lock Washer	2
4	8123	Insulating Sleeve (3/8 x 6)	1	F184		1/4-20 x 1/2 Hex Bolt, SS	4
5	NS	Gasket, Muffler (Kawasaki 11061-2078)	1	F185		1/4 Internal Star Lock Washer	4
6	NS	Washer (Kawasaki 461F0800)	2				
7	NS	Nut (Kawasaki 317R0800)	2				
8	5013-4	Exhaust Pipe	1				
9	5013-2	Muffler, Kawasaki	1				
10	5013-3	Muffler Heat Shield	1				





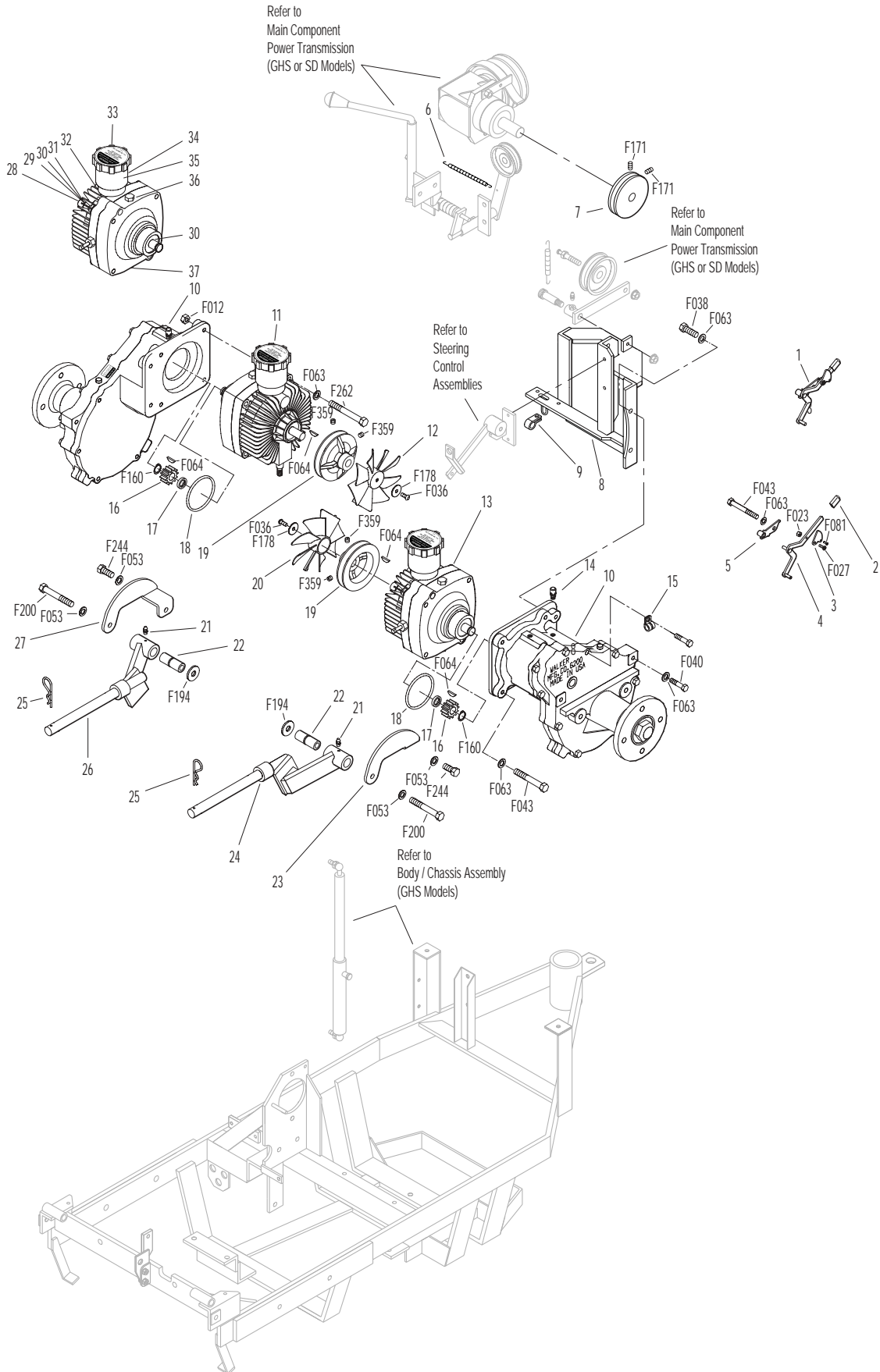
# HYDROSTATIC GROUND DRIVE ASSEMBLIES

ITEM NO.	PART NO.	DESCRIPTION	NO. REQ'D	ITEM NO.	PART NO.	DESCRIPTION	NO. REQ'D
<b>Transmission Lockout Assembly</b>				<b>Transmission Repair Parts</b>			
1	5028-3	Transmission Lockout Assembly (Includes Items #2-5, F023 & F027)	*	28	5025-5	Input Shaft	*
2	5847	Plastic Tip	2	29	5025-8	Bearing, Input Shaft	*
3	5057	Lockout Cam (Includes Item # F081)	2	30	5025-7	Snap Ring	*
4	5028-5	Lockout Lever	2	31	5025-2	Seal, Input Shaft	*
5	5027-5	Lockout Mount	2	32	5022	Reservoir to Casting Gasket	*
<b>Ground Drive Assemblies</b>				33	5024	Reservoir Cap and Gasket	*
6	5227-1	Extension Spring (1/2 x 4)	2	34	5023	Transmission Reservoir Kit	*
7	5236-1	Transmission Drive Pulley (3-1/4 / A) (Includes Item # F171)	1	35	5023-1	Rubber Bladder	*
8	5209-3	Bridge Assembly	1	36	5025-6	O-Ring & Plug Assembly	*
9	6832	Cable Clamp (9/16 x 1/4)	1	37	5025-3	Seal, Control Shaft	*
10	6200-9	Gear Axle Drive Assembly (Includes Item # 14)	2	<b>Fasteners</b>			
11	5025	Hydrostatic Drive, CCW (700-042)	1	F012	3/8-16 Keps Nut		1
12	6243-2	Hydro Fan, CCW	1	F023	10-24 ESNA Nut		2
13	5026	Hydrostatic Drive, CW (700-041)	1	F027	10-24 x 5/8 PPHMS		2
14	6206-1	Pressure Relief Valve	*	F036	1/4-20 x 1/2 SBH Screw		2
15	5126	Cable Retainer (Uses existing bolt Gear Axle Drive Assembly)	1	F038	3/8-16 x 1 Hex Bolt		4
16	6233-1	Pinion Gear	2	F040	3/8-16 x 1-1/2 Hex Bolt		4
17	6234	Spacer, Pinion Gear	2	F043	3/8-16 x 3 Hex Bolt		7
18	6201	O-Ring Seal	2	F053	7/16 Internal Star Lock Washer		4
19	6244	Hydro Pulley (3-7/8) (Includes Items # F064 & F359)	2	F063	3/8 Internal Star Lock Washer		16
20	6243-1	Hydro Fan, CW	1	F064	1/8 x 1/2 Woodruff Key (#3)		4
<b>Deck Support Arm Assemblies</b>				F081	A/A45D Aluminum Pop Rivet		2
21	5830	Grease Fitting	2	F160	External Snap Ring (.669 Shaft)		2
22	6840-1	Support Arm Bushing (2-1/16)	2	F171	5/16-18 x 3/8 Set Screw		2
23	6430-10	Outboard Mount, LH	1	F178	1/4 x 1 Fender Washer		2
24	6430-2	Deck Support Arm, LH (Includes Item # 21)	1	F194	7/16 x 1-1/4 x 1/8 Washer		2
25	5775-2	Hitch Pin (# 6)	2	F200	7/16-20 x 3 Grade 8 Bolt		2
26	6430-1	Deck Support Arm, RH (Includes Item # 21)	1	F244	7/16-20 x 3/4 Hex Bolt		2
27	6430-9	Outboard Mount, RH	1	F262	3/8-16 x 4 Hex Bolt (Spec) All Thread		1
				F359	5/16-18 x 5/16 Set Screw (Unbrako Knurl Point)		4
				* Service Part Only			

Use only genuine **Walker**<sup>®</sup> replacement parts.

Effective Date 03-02-04

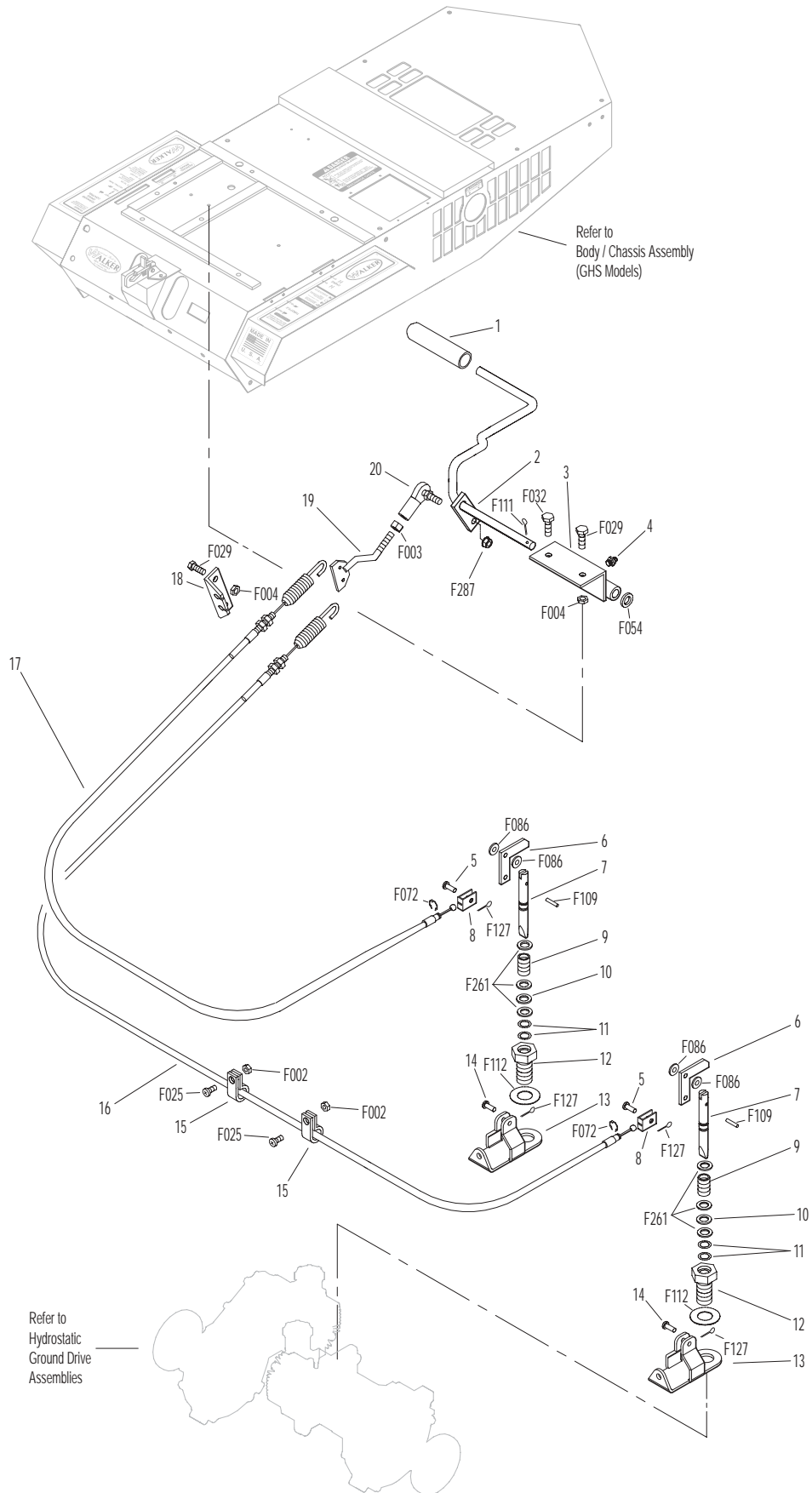
# HYDROSTATIC GROUND DRIVE ASSEMBLIES



# PARKING BRAKE ASSEMBLY

ITEM NO.	PART NO.	DESCRIPTION	NO. REQ'D	ITEM NO.	PART NO.	DESCRIPTION	NO. REQ'D
<b>Parking Brake Assembly</b>				<b>Fasteners</b>			
1	7406-1	Handle Grip, Red	1	F002		10-24 Keps Nut	2
2	7406-8	Parking Brake Lever	1	F003		1/4-28 Hex Nut	1
3	7406-2	Lever Mount	1	F004		1/4-20 Keps Nut	4
4	5830	Grease Fitting	1	F025		10-24 x 3/8 PPHMS	2
5	7407	Clevis Pin (3/16 x 1/2)	2	F029		1/4-20 x 1/2 Hex Bolt	3
6	7404	Brake Actuator Arm	2	F032		1/4-20 x 3/4 Hex Bolt	1
7	7405	Pin, Transmission Lock	2	F054		AN960616 Washer	1
8	7402	Clevis	2	F072		1/4 "E" Retainer Ring	2
9	7408	Compression Spring (1/2 x 3/4)	2	F086		#10 SAE Washer	4
10	7415	Rubber Dust Shield (5/8 x 3/8 x 1/32)	2	F109		1/8 x 5/8 Roll Pin	2
11	5567-3	O-Ring Seal (1/4 x 3/8)	4	F111		1/8 x 3/4 Cotter Pin	1
12	7403	Plunger Bushing, Gear Axle	2	F112		5/8 x 1-1/4 x .03 Washer	2
13	7404-1	Brake Actuator Mount	2	F127		1/16 x 1/2 Cotter Pin	4
14	7412	Clevis Pin (3/16 x 5/8)	2	F261		AN960616L Washer	6
15	5833	Cable Clamp (1/4)	2	F287		1/4-28 Keps Nut	1
16	7410	Brake Control Cable, LH (27")	1				
17	7409	Brake Control Cable, RH (21")	1				
18	7401-3	Cable Mount Bracket	1				
19	7401-1	Cable Pull Rod	1				
20	5552	Ball Joint (1/4-28)	1				

# PARKING BRAKE ASSEMBLY



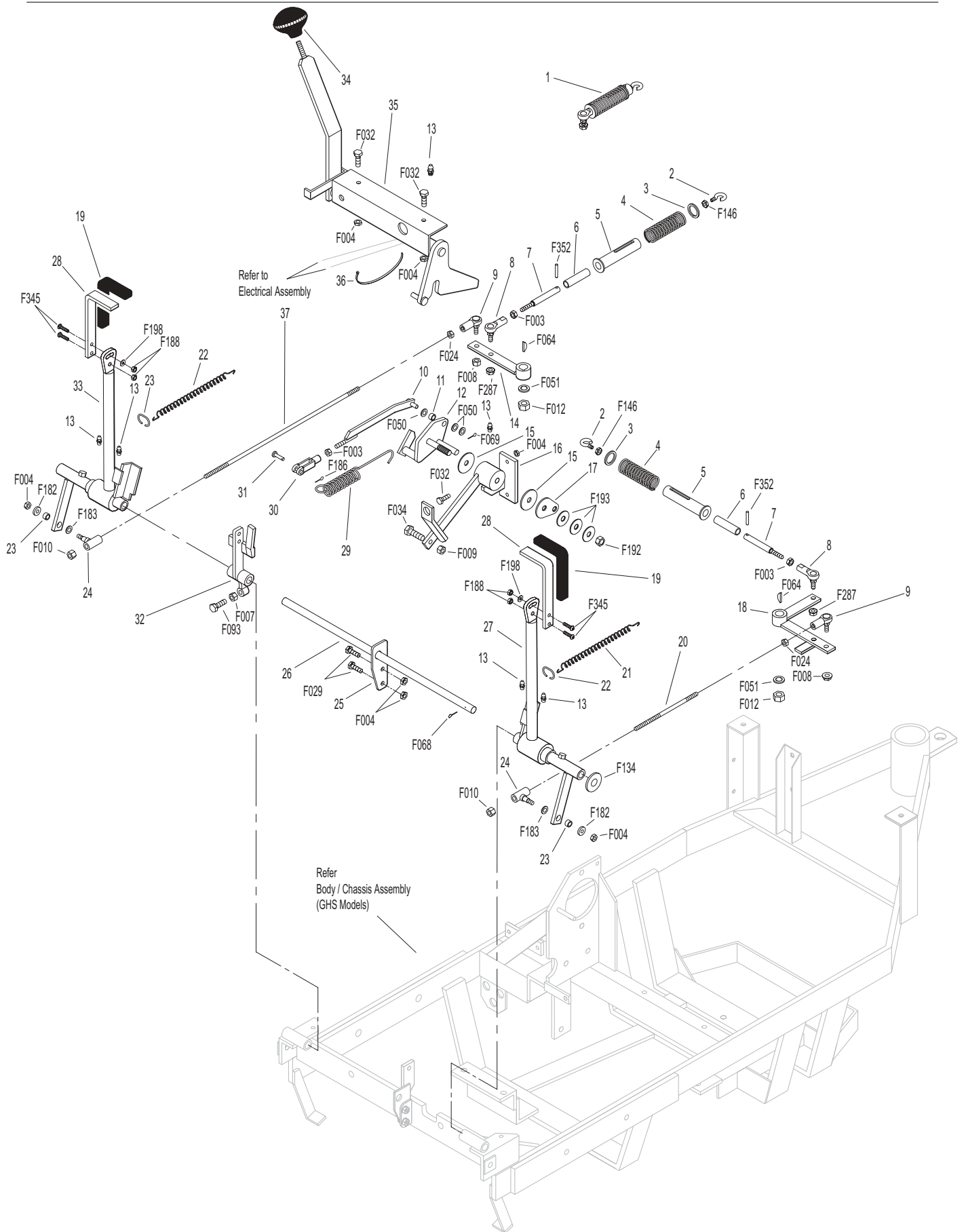
# STEERING CONTROL ASSEMBLIES

ITEM NO.	PART NO.	DESCRIPTION	NO. REQ'D	ITEM NO.	PART NO.	DESCRIPTION	NO. REQ'D
<b>Transmission Spring Assembly</b>				33	5450-3	Steering Lever Assembly, RH (Includes Items # 13, 19, 28, F188, F198 & F345)	1
1	5199	Transmission Spring Assembly (Includes Items # 2-8, F003, F146, F287 & F293)	*		5450-5	Adjustable Steering Lever Arm, RH	1
2	5197	J-Bolt	2	34	5862	FSC Knob	1
3	5193	Washer (.750 ID x 1.00 OD x .085)	2	35	7170	FSC Lever Assembly (Includes Item # 13)	1
4	5195	Compression Spring (1 x 5-1/8)	2	36	5975-3	Cable Tie (50# x 7")	1
5	5191	Spring Slide (3-5/8)	2	37	5213-1	Control Rod, RH (15")	1
6	5194	Plunger Sleeve	2	<b>Fasteners</b>			
7	5192-1	Spring Plunger	2	F003	1/4-28 Hex Nut		3
8	5552	Ball Joint (1/4-28)	2	F004	1/4-20 Keps Nut		8
<b>Steering Lever &amp; FSC Assemblies</b>				F007	5/16-18 Jam Nut		1
9	5214-2	Ball Joint (5/16-24), Nylon Lined	2	F008	5/16-24 Keps Nut		2
10	5173	FSC Actuator Rod	1	F009	5/16-18 Whiz Locknut		1
11	5172	Bearing, Nylon (.255 ID x .379 OD x .250)	1	F010	5/16-24 ESNA Nut		2
12	5142-2	FSC Actuator Cam	1	F012	3/8-16 Keps Nut		2
13	5830	Grease Fitting	6	F024	5/16-24 Jam Nut		2
14	5212	Transmission Control Arm, RH	1	F029	1/4-20 x 1/2 Hex Bolt		2
15	5141	FSC Friction Washer	2	F032	1/4-20 x 3/4 Hex Bolt		4
16	5140	FSC Friction Body (Includes Item # 13)	1	F034	5/16-18 x 3/4 Hex Bolt		1
17	5142-5	FSC Key	1	F050	1/4 SAE Washer		3
	5140-3	FSC Control Assembly (Includes Items # 12, 13, 15-17, F192 & F193)	*	F051	3/8 SAE Washer		2
18	5212-2	Transmission Control Arm, LH	1	F064	1/8 x 1/2 Woodruff Key (#3)		2
19	5850-2	Handle Grip, Foam (5-1/2)	2	F068	1/8 x 1 Cotter Pin		1
20	5213-2	Control Rod, LH (6")	1	F069	3/32 x 1/2 Cotter Pin		1
21	5223	Extension Spring (1/4 x 5-1/2)	2	F093	5/16-18 x 1 Hex Bolt		1
22	5450	D-Clip	2	F134	AN960816L Washer		2**
23	5214-1	Bearing, Steering Lever Actuator	2	F146	1/4-20 Jam Nut		2
24	5463	Steering Lever Actuator	2	F182	1/4 x 5/8 x 1/8 Washer		2
25	5391-3	Steering Lever Support	1	F183	.312 x .700 x .074 Washer		2
26	5217	Pivot Pin, Steering Lever	1	F186	5/64 x 1/2 Cotter Pin		1
27	5451-3	Steering Lever Assembly, LH (Includes Items # 13, 19, 28, F188, F198 & F345)	1	F188	1/4-20 Self-Locking Nut		4
28	5453-10	Adjustable Steering Lever Handle (Includes Items # 19 & F345)	2	F192	3/8-24 Self-Locking Nut		1
29	5219	FSC Extension Spring (3/4 x 6-3/4)	1	F193	3/8 Belleville Spring Washer		3
30	5280	Clevis (1/4)	1	F198	.250 x .625 x .040 Washer, SS		2
31	5281-5	Clevis Pin (1/4 x 0.80)	1	F287	1/4-28 Keps Nut		2
32	5470-1	Speed Control Stop	1	F345	1/4-20 x .770 Knurled Bolt		4
				F352	5/32 x 1 Hvy Duty Roll Pin		2
				* Service Part Only			
				** Average number used per assembly. Adjust as required.			

Use only genuine **Walker**<sup>®</sup> replacement parts.

Effective Date 03-02-04

# STEERING CONTROL ASSEMBLIES



Effective Date 03-02-04

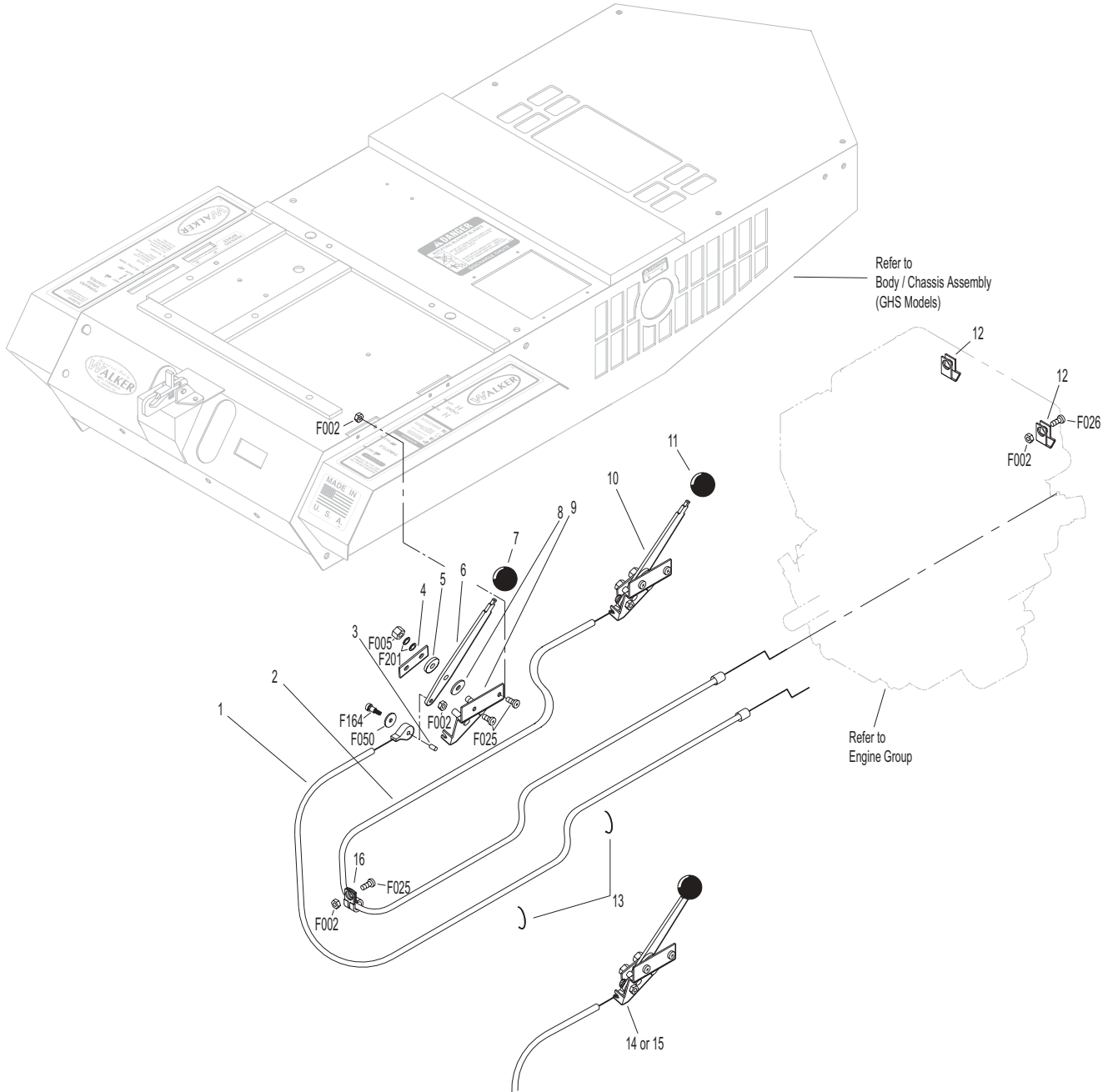
Use only genuine Walker® replacement parts.

# THROTTLE & CHOKE CONTROL ASSEMBLIES

ITEM NO.	PART NO.	DESCRIPTION	NO. REQ'D	ITEM NO.	PART NO.	DESCRIPTION	NO. REQ'D
<b>Throttle &amp; Choke Control Assemblies</b>				<b>Fasteners</b>			
1	5121-1	Throttle Cable	1	F002	10-24 Keps Nut		8
2	5122-1	Choke Cable	1	F005	1/4-20 ESNA Nut		2
3	5172	Nylon Bearing	2	F025	10-24 x 3/8 PPHMS		5
4	5108-7	Control Lock Tab	2	F026	10-24 x 1/2 PPHMS		1
5	5108-10	Friction Washer (.125)	2	F050	1/4 SAE Washer		2
6	5108-1	Control Lever, Throttle and Choke	2	F164	10-24 x 1/4 x 3/8 SHL Bolt		2
7	5108-5	Throttle Control Knob, Red	1	F201	1/4 Belleville Spring Washer		4
8	5108-11	Friction Washer (.062)	2				
9	5108-8	Control Bracket	2				
10	7108	Control Assembly, Throttle and Choke	*				
11	5108-6	Choke Control Knob, Black	1				
12	5656-15	Conduit Clip	2				
13	5975-1	Cable Tie (18# x 3-3/4")	2				
14	5121-20	Throttle Control and Cable Assembly (Complete Control and Cable Assembly)	*				
15	5122-20	Choke Control and Cable Assembly (Complete Control and Cable Assembly)	*				
16	5126	Cable Retainer	1				
				*	Service Part Only		



# THROTTLE & CHOKE CONTROL ASSEMBLIES

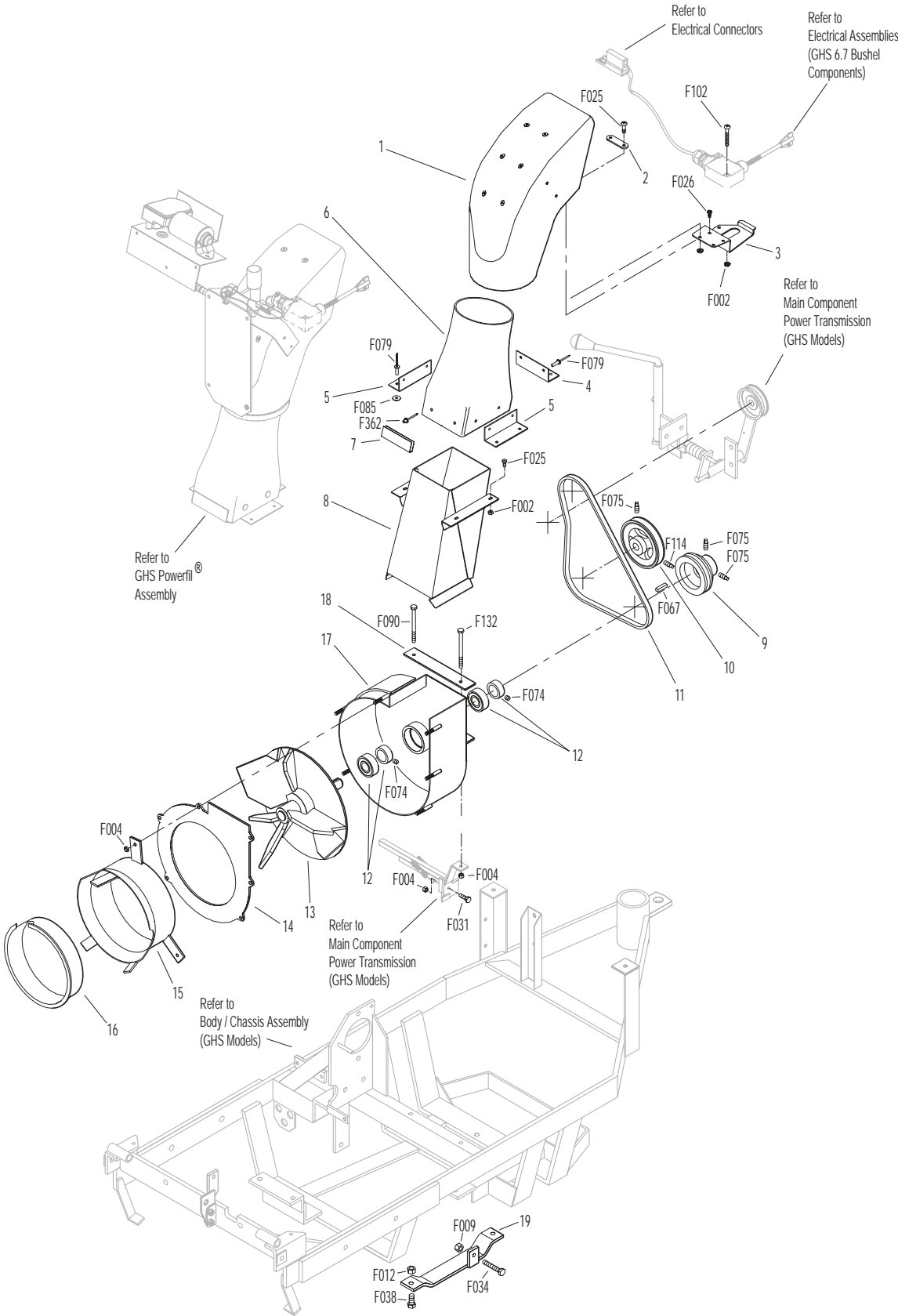


# GHS GROUP

ITEM NO.	PART NO.	DESCRIPTION	NO. REQ'D	ITEM NO.	PART NO.	DESCRIPTION	NO. REQ'D
<b>Delivery Chute Assembly</b>				<b>Fasteners</b>			
1	5515-2	Elbow Delivery Spout	1	F002		10-24 Keps Nut	8
2	5592-13	Backing Plate, Grass-Pak® Switch	1	F004		1/4-20 Keps Nut	9
3	5592-12	Mount Plate, Grass-Pak® Switch	1	F009		5/16-18 Whiz Locknut	1
4	5578	Rear Clip, Chute Mount	1	F012		3/8-16 Keps Nut	2
5	5577	Side Clip, Chute Mount	2	F025		10-24 x 3/8 PPHMS	6
6	5511-3	Delivery Chute Assembly, (6.7) (Includes Items # 4, 5, F079 & F085)	1	F026		10-24 x 1/4 PPHMS	2
7	5578-10	Front Clip, Chute Mount	1	F031		1/4-20 x 5/8 Hex Bolt	1
8	5530-3	Body Chute (9")	1	F034		5/16-18 x 3/4 Hex Bolt	1
<b>Blower Assembly</b>				F038		3/8-16 x 1 Hex Bolt	2
9	5239-2	Blower Pulley, Offset Hub (Includes Item # F075)	1	F067		3/16 x 3/16 x 1 Key	1
10	5238-2	PTO Drive Pulley (5 / B) (Includes Items # F075 & F114)	1	F074		1/4-20 x 3/8 Set Screw	2
11	5234-2	GHS PTO Belt (B41 / #6944)	1	F075		5/16-18 x 1/2 SQH Set Screw	3
12	5268	Bearing (3/4) Includes Locking Collar	2	F079		A/A66D Aluminum Pop Rivet	14
13	5545-2	Blower Wheel (9")	1	F085		3/16 Rivet Backup Washer	8
14	5525-7	Faceplate (9" Blower)	1	F090		1/4-20 x 2-1/2 Hex Bolt	1
15	5526-3	Blower Intake Tube (6-1/2 x 3)	1	F102		10-24 x 1-1/2 PTHMS	2
16	5595-2	Intake Cover	*	F114		5/16-18 x 5/8 SQH Set Screw	1
17	5543-3	Housing (9" Blower)	1	F132		1/4-20 x 2-3/4 Hex Bolt	1
	5542-3	Blower Assembly (9")	**	F362		A/A62D Alum. Pop Rivet (3/16D x 13/32L)	2
18	5527-2	Blower Mount Plate	1	* Plugs blower when GHS is not in use. Furnished only with Mulching Decks, SD Decks used on a GHS Tractor, Rotary Broom Attachment and Snowblower Attachment.			
19	5534	Skid Bar (9" Blower)	1	** Service Part Only			

**NOTE:** Refer to **ELECTRICAL CONNECTORS**, Page 34, for identification of all Electrical Wiring Service Parts.

# GHS GROUP



# GHS POWERFIL® ASSEMBLY

ITEM NO.	PART NO.	DESCRIPTION	NO. REQ'D	ITEM NO.	PART NO.	DESCRIPTION	NO. REQ'D
<b>GHS Powerfil® Assembly</b>				<b>Fasteners</b>			
1	5557	Motor Mount, Powerfil®	1	F002		10-24 Keps Nut	9
2	5551-3	Bearing Cap, Powerfil®	1	F003		1/4-28 Hex Nut	4
3	5551-1	Pivot Bearing (#S3PP)	2	F025		10-24 x 3/8 PPHMS	1
4	5552	Ball Joint (1/4-28)	2	F054		AN960616 Washer	1
5	5518-2	Pivot, Delivery Spout	1	F061		1/4 Internal Star Lock Washer	1
6	5517-2	Pivot Mount	1	F085		3/16 Rivet Backup Washer	1
7	5558-1	Powerfil® Push Rod	1	F101		10-24 x 1-1/4 SHC Screw	1
8	5553-3	Bushing, Powerfil® Actuator	4	F109		1/8 x 5/8 Roll Pin	1
9	5558-2	Powerfil® Actuator Rod	1	F129		10-24 x 1/2 PTHMS	7
	5549	Actuator Rod Assembly (Includes Items # 4, 7-10 & F003)	*	F261		AN960616L Washer	1
10	5553-1	Spring, Powerfil® Actuator	2	F287		1/4-28 Keps Nut	1
11	5554	Actuator Arm	1				
12	5519-3	Motor Mount Nut (5/8-24 Panel Nut)	*				
13	5519-2	Motor Mount Washer	*				
14	5519	Actuator Motor (12/24V) (Includes Items # 12 & 13)	1				
15	5977	Grommet (1/2 ID x 7/8 OD x 1/16)	1				

\* Service Part Only

**NOTE:** Refer to **ELECTRICAL CONNECTORS**, Page 34, for identification of all Electrical Wiring Service Parts.



# GHS 6.7 BUSHEL CATCHER & EXHAUST DEFLECTOR ASSEMBLIES

ITEM NO.	PART NO.	DESCRIPTION	NO. REQ'D
<b>Upper Baffle Screen Assembly (Removable)</b>			
1	7509-3	Channel Bottom	2
2	7505	Mustache Spring	2
3	6507	Screen Seal, 6.7 (24")	1
4	6856-1	Edge Molding, 6.7 (21-3/4)	1
5	7509-2	Channel Top	2
6	6512-2	Removable Screen (6.7)	1***
7	7506	Knob	2
8	6509-4	C-Channel (6.7)	1
<b>Exhaust Deflector Assembly</b>			
	5504	Exhaust Deflector Kit, 6.7	*
9	5504-3	Hinge, Exhaust Deflector	1
10	5504-1	Exhaust Deflector (Two Piece Set)	1
11	5504-8	Deflector Mount Doubler	2
<b>GHS 6.7 Bushel Catcher Assembly</b>			
12	5583	Handle	1
13	5588	Rubber Bumper (.75 OD x .50)	2
14	5130	Side Strap, Door (6.7)	2
15	5514-10	Door Frame, Catcher (6.7)	1
16	5510-1	6.7 Bushel Catcher, Including Door	1
	5502-1	6.7 Catcher, Without Powerfil® (Includes Door)	**
	5502-2	6.7 Catcher Assembly (Includes Powerfil®)	**
17	5503	Mounting Frame, Catcher (6.7)	1
18	5513-1	Mounting Frame Doubler (6.7)	1
19	5522-1	Hinge Backup Plate, LH	1
20	5155-12	5/16 Ball Stud	2
21	5147	Spring Clip, Gas Spring	4
22	5155-2	Gas Spring Cover	2
23	5155-10	Catcher Gas Spring Assembly (Includes Items # 20, 21 & 25)	2
24	5524-1	Flanged Hinge Bearing	2
25	5155-13	3/4 Ball Stud	2
26	5523-6	Gas Spring Plate	2
27	7532	Handle, Catcher Lift	2
	7534	Catcher Handle Kit (Includes Items # 27, 28, F004 & F172)	*
28	7533	Backing Plate, Handle	2
29	5155-15	Box Support, Gas Spring	2
30	6508	Safety Latch Hinge	1
31	5522-2	Hinge Backup Plate, RH	1
32	5584	Reinforcing Strap, Catcher Top	2

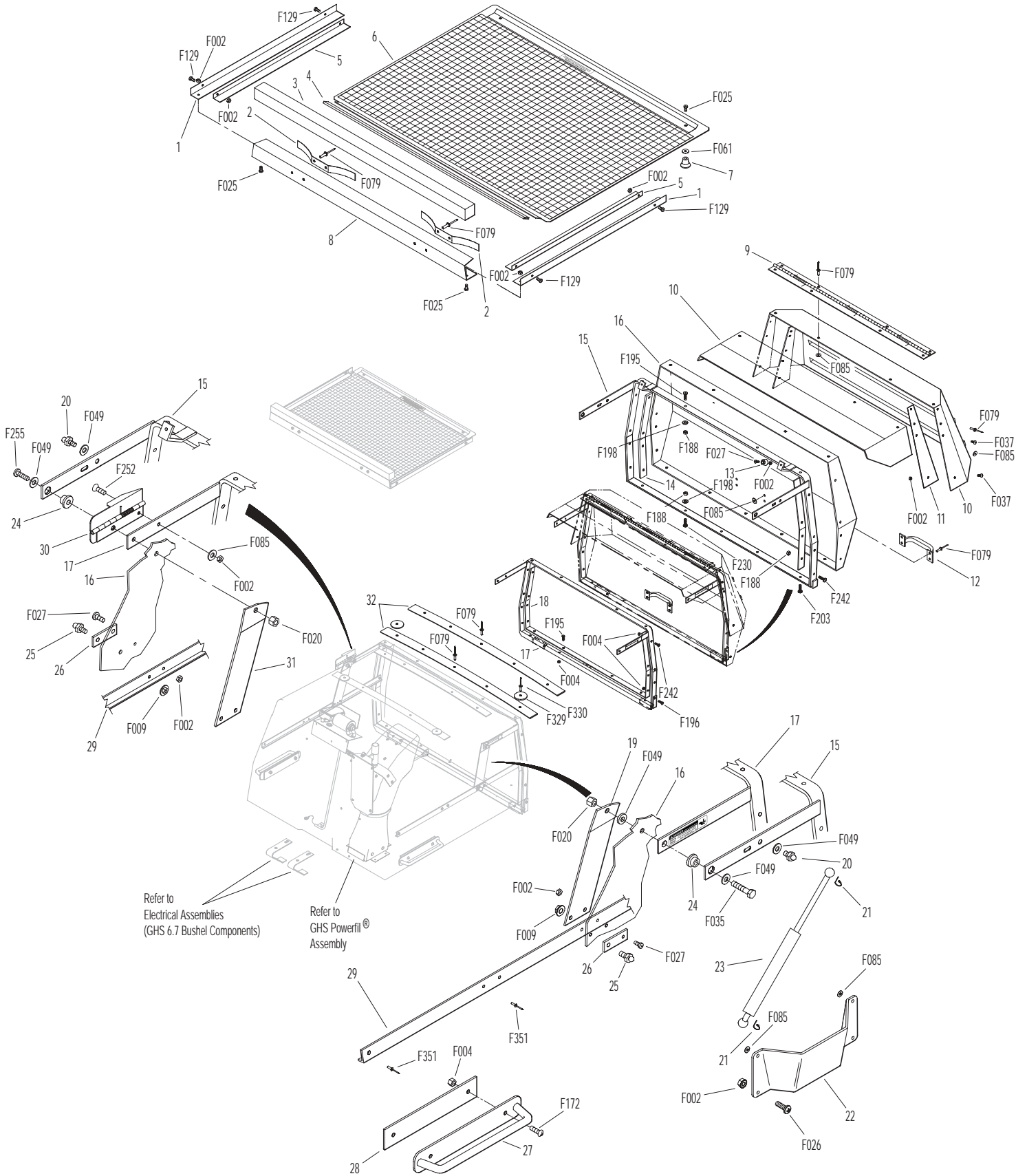
ITEM NO.	PART NO.	DESCRIPTION	NO. REQ'D
<b>5598 Optional Dump Bag (Not Shown)</b>			
May be ordered as an option. Contact your Walker dealer.			
<b>Fasteners</b>			
	F002	10-24 Keps Nut	23
	F004	1/4-20 Keps Nut	16
	F009	5/16-18 Whiz Locknut	2
	F020	5/16-18 ESNA Nut	2
	F025	10-24 x 3/8 PPHMS	4
	F026	10-24 x 1/2 PPHMS	8
	F027	10-24 x 5/8 PPHMS	4
	F035	5/16-18 x 1-1/4 Hex Bolt	1
	F037	10-24 x 5/8 PTH Screw	4
	F049	5/16 SAE Washer	5
	F061	1/4 Internal Star Lock Washer	2
	F079	A/A66D Aluminum Pop Rivet	11
	F085	3/16 Rivet Backup Washer	21
	F129	10-24 x 1/2 PTHMS	10
	F172	1/4-20 x 3/4 Carriage Bolt	4
	F188	1/4-20 Self Locking Nut	17
	F195	1/4-20 x 3/4 PPHMS SS	8
	F196	1/4-20 x 1 PPHMS SS	2
	F198	.625 x .250 x .040 Washer, SS	9
	F203	1/4-20 x 5/8 PPHMS SS	4
	F230	1/4-20 x 1-1/4 PPHMS SS	1
	F242	1/4-20 x 7/8 PPHMS SS	14
	F252	10-24 x 3/4 PPHMS	1
	F255	5/16-18 x 1-1/2 Hex Bolt	1
	F329	.260 ID x 1.939 OD Washer	2
	F330	3/16 D x 21/32 L Rivet, SS	2
	F351	Aluminum Pop Rivet	6

\* This kit is sold as a complete assembly, including mounting hardware.

\*\* Service Part Only

\*\*\* This screen can be replaced by P/N 6512-3 Removable Screen (3/4" holes) for improved air flow performance in wet conditions.

# GHS 6.7 BUSHEL CATCHER & EXHAUST DEFLECTOR ASSEMBLIES



Effective Date 03-02-04

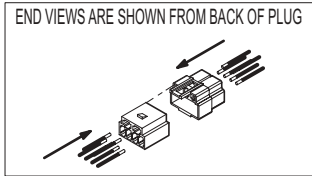
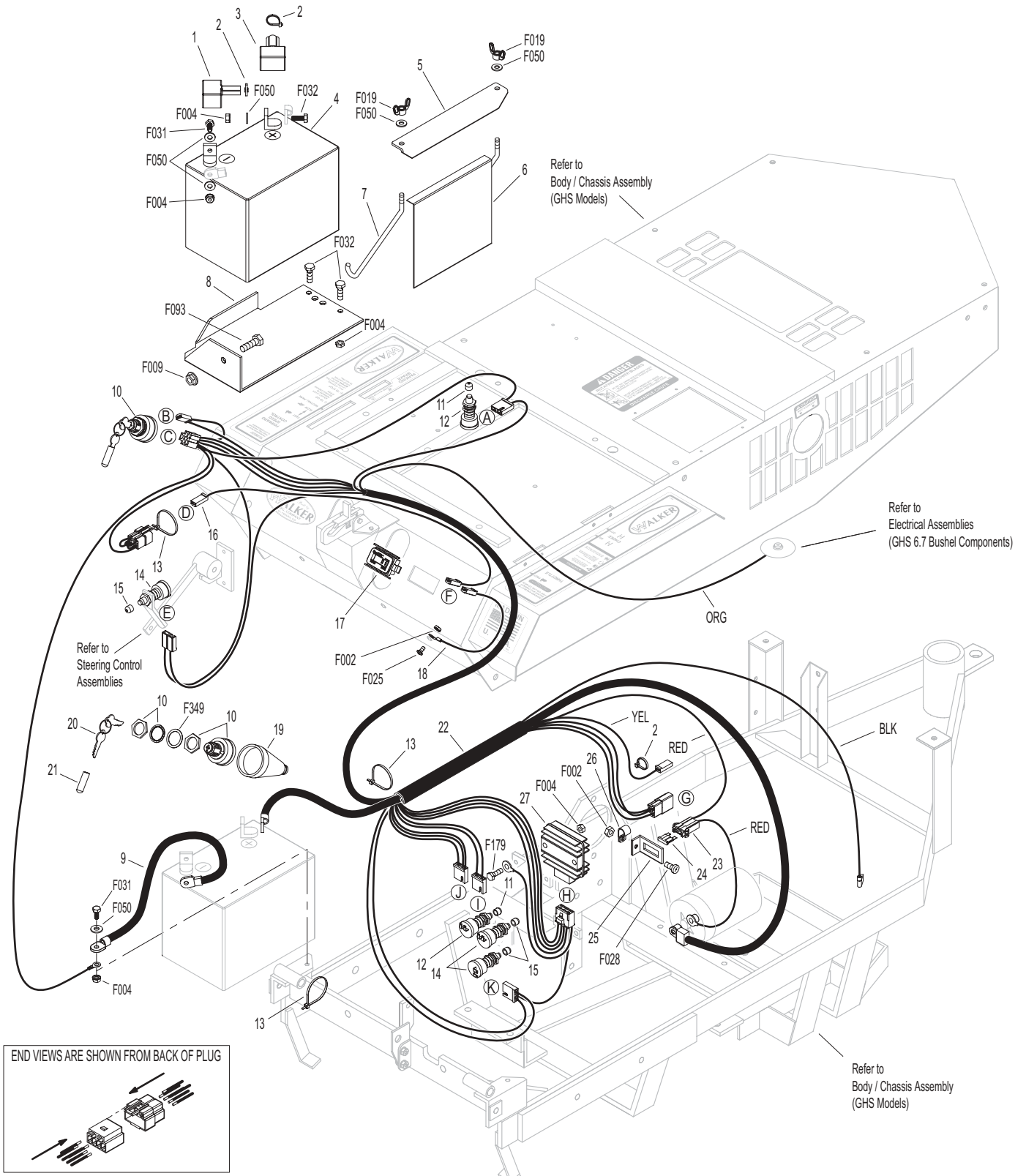
Use only genuine Walker® replacement parts.

# ELECTRICAL ASSEMBLY

ITEM NO.	PART NO.	DESCRIPTION	NO. REQ'D	ITEM NO.	PART NO.	DESCRIPTION	NO. REQ'D
<b>Battery Assembly</b>				23	5940-6	Fuse Holder with Terminals	*
1	5932	Battery Terminal Insul., Black (-)	1	24	6941-1	20 Amp Fuse	*
2	5975-1	Cable Tie (18# x 3-3/4")	3	25	5961	Fuse Holder Mount Bracket	1
3	5933	Battery Terminal Insul., Red (+)	1	26	6832	Cable Clamp (9/16 x 1/4)	1
4	5910-1	Battery (12V/295CCA/Wet)	1	27	NS	Voltage Regulator (Kawasaki 21066-2004)	1
5	5844	Battery Hold-Down Bar	1	<b>Fasteners</b>			
6	6392	Battery Protector Plate	1	F002	10-24 Keps Nut		2
7	5839	Hook Bolt	2	F004	1/4-20 Keps Nut		7
8	6390	Battery Pan	1	F009	5/16-18 Whiz Locknut		1
9	6923	Negative Battery Cable	1	F019	1/4-20 ESNA Wing Nut		2
<b>Electrical Assembly</b>				F025	10-24 x 3/8 PPHMS		1
10	8960-15	Ignition Switch (with Keys) (Includes Items # 20-23 & F349)	1	F028	10-24 x 3/4 PPHMS		1
11	5941-1	Switch Boot (Fits P/N 5941)	2	F031	1/4-20 x 5/8 Hex Bolt		2
12	5941	Safety Switch (Normal Closed) (Includes Item # 11)	2	F032	1/4-20 x 3/4 Hex Bolt		3
13	5975-3	Cable Tie (50# x 7")	3	F050	1/4 SAE Washer		5
14	5942	Safety Switch (Normal Open) (Includes Item # 15)	3	F093	5/16-18 x 1 Hex Bolt		1
15	5942-1	Switch Boot (Fits P/N 5942)	3	F179	1/4-20 x 1 Hex Bolt		2
16	5991-1	Hourmeter Power Lead Wire	1	F349	Washer .835 ID 1.122 OD, SS		1
17	8990-1	Hourmeter (SenDec)	1	* Service Part Only			
18	5991-2	Hourmeter Ground Wire	1	<b>NOTE:</b> Refer to <b>ELECTRICAL CONNECTORS</b> , Page 34 for identification of all Electrical Wiring Service Parts.			
19	5940-3	Ignition Switch Cover	1	<b>NOTE:</b> Decals for this assembly are not shown here. Refer to <b>TRACTOR DECALS</b> , Page 2, for Decal listing and placement information.			
20	8960-2	Ignition Key (1 Set)	1				
21	7854	Plastic Tip / Red	1				
22	5943-1	Wire Harness Assembly	1				



# ELECTRICAL ASSEMBLY



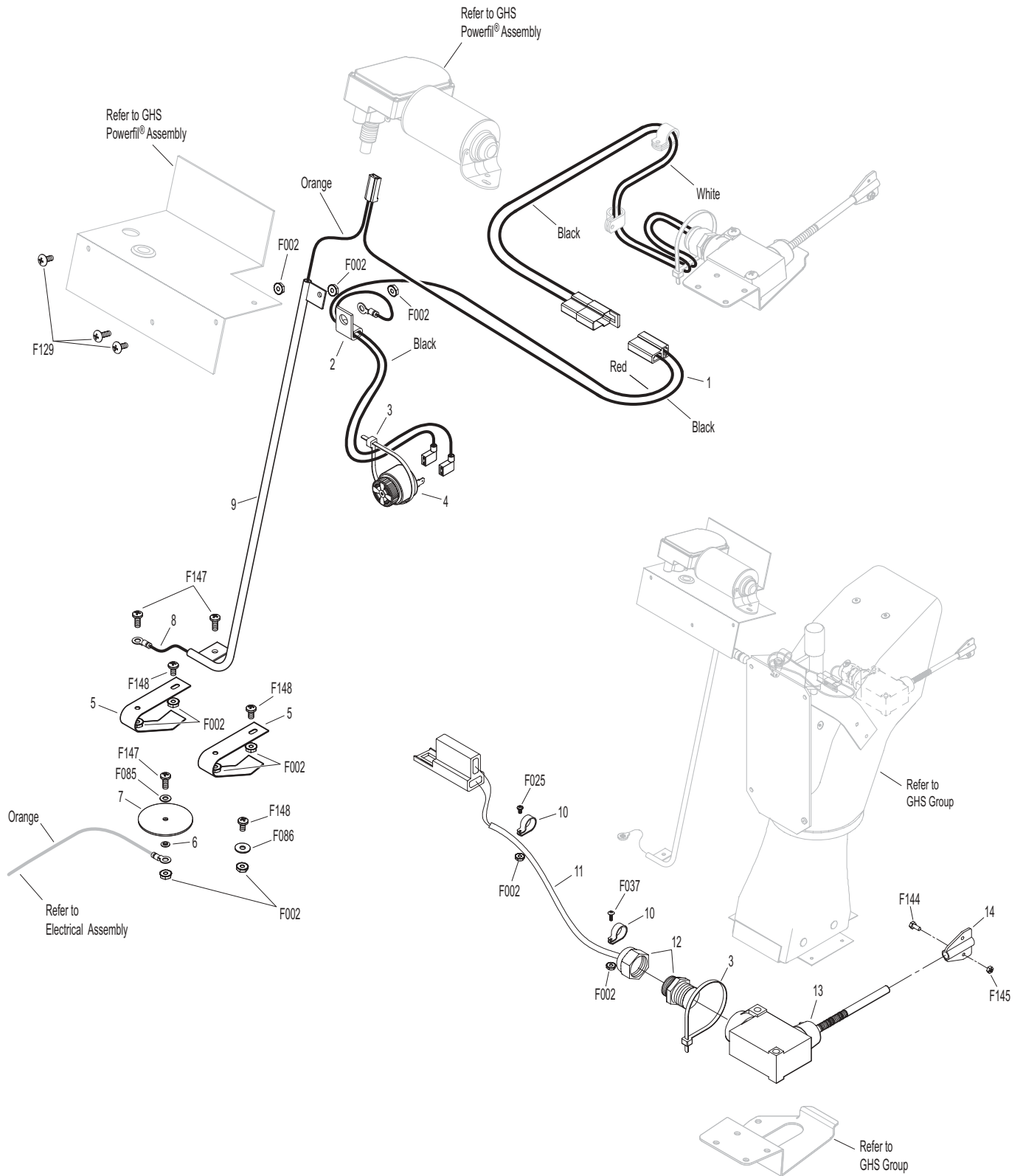
Effective Date 03-02-04

Use only genuine Walker® replacement parts.

# ELECTRICAL ASSEMBLIES (GHS 6.7 BUSHEL COMPONENTS)

ITEM NO.	PART NO.	DESCRIPTION	NO. REQ'D	ITEM NO.	PART NO.	DESCRIPTION	NO. REQ'D
<b>Horn &amp; Powerfil® Wiring Assemblies</b>				<b>Fasteners</b>			
1	5599	Pigtail Wire Set, Horn	1	F002		10-24 Keps Nut	11
2	5857	Wire Clamp (1/8 J-Clip)	1	F025		10-24 x 3/8 PPHMS	1
3	5975-3	Cable Tie (50# x 7")	2	F037		10-24 x 5/8 PTH Screw	1
4	5536-2	Horn, Full Signal	*	F085		3/16 Rivet Backup Washer	1
5	5984	Electric Contact Spring	2	F086		#10 SAE Washer	1
6	5982-2	Insulator Bushing, Plastic	1	F129		10-24 x 1/2 PTHMS	3
7	5982-1	Insulator Washer, Plastic (2")	1	F144		4-40 x 1/4 PPHMS	1
8	5985-2	Power Lead Wire, Catcher	1	F145		4-40 Keps Nut	1
9	5988-1	Conduit Assembly, Powerfil® Wiring	1	F147		10-24 x 1/2 PPHMS SS	3
	5988-4	Powerfil® Tube & Wire Assembly (Includes Item # 8)	*	F148		10-24 x 3/8 PPHMS SS	3
<b>Grass-Pak® Switch Assembly</b>				* Service Part Only			
10	5833	Cable Clamp (1/4)	2	<b>NOTE:</b> Refer to <b>ELECTRICAL CONNECTORS</b> , Page 34 for identification of all Electrical Wiring Service Parts.			
11	5980-3	Wire, Grass-Pak® Switch	1				
12	5592-11	Liquid Tight Plug	1				
13	5592-10	Grass-Pak® Switch Module	1				
	5592-4	Grass-Pak® Switch Assembly (Includes Items # 3 & 10-14)	*				
14	5594-5	Vane Assembly, Grass-Pak® Switch (Includes Items # F144 & F145)	1				

# ELECTRICAL ASSEMBLIES (GHS 6.7 BUSHEL COMPONENTS)



# ELECTRICAL CONNECTORS

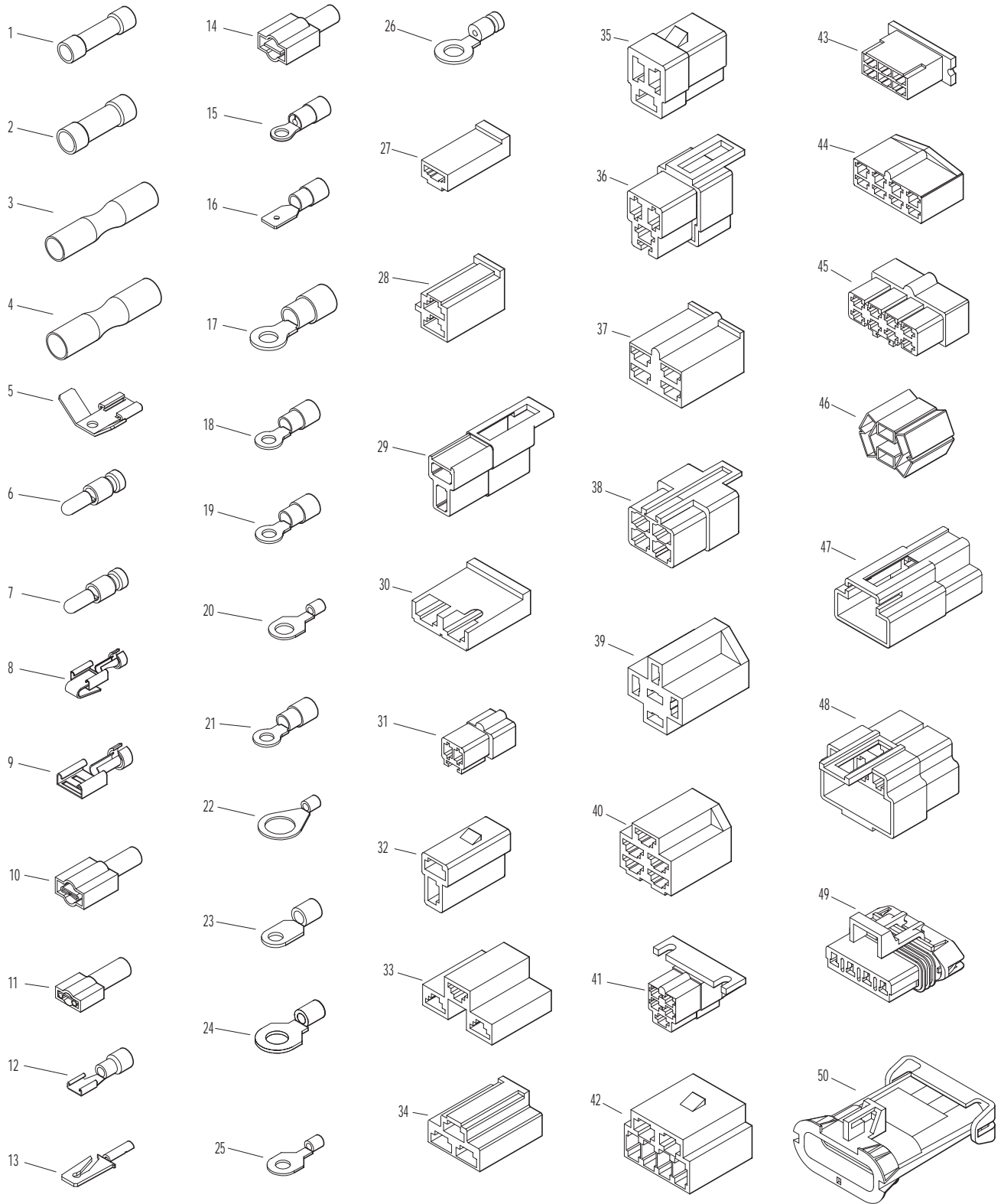
ITEM NO.	PART NO.	DESCRIPTION	NO. REQ'D	ITEM NO.	PART NO.	DESCRIPTION	NO. REQ'D
<b>Electrical Wiring Service Parts</b>				29	7942-1	2-Way Locking Connector, Female	*
1	5996-1	16-14 GA Butt Connector	*	30	7942-2	2-Way Connector, Male	*
2	5996-11	12-10 GA Butt Connector	*	31	7942-3	2-Way Connector, Female	*
3	7942-14	14-16 GA Shrink Connector	*	32	7942-10	2-Way Locking Connector, Male	*
4	7942-13	10-12 GA Shrink Connector	*	33	5940-8	3-Way Connector, Male	*
5	5995-1	Wire Terminal Adapter	*	34	7942-9	3-Way Connector, Male	*
6	5996-4	16-14 GA Bullet Conn., Male	*	35	8944	3-Way Locking Connector, Male	*
7	5996-5	16-14 GA Bullet Conn., Female	*	36	8944-1	3-Way Locking Connector, Female	*
8	5940-4	16-14 GA Spg. Loaded Term., Female	*	37	7942-11	4-Way Connector, Male	*
9	5940-7	Brass Wire Clip, Female	*	38	7942-12	4-Way Connector, Female	*
10	5996	1/4 x 16-14 GA QKS Term., Female	*	39	7942-5	5-Way Connector, Male	*
11	5996-2	3/16 x 22-18 GA QKS Term., Female	*	40	5940-2	5-Way Connector, Male	*
12	7996	3/16 x 16-14 GA QKS Term., Female	*	41	8942-1	5-Way Connector, Female	*
13	5940-5	16-14 GA Spg. Loaded Term., Male	*	42	7942-6	6-Way Connector, Male	*
14	5996-0	1/4 x 22-18 GA QKS Term., Male	*	43	7942-7	6-Way Connector, Male	*
15	5996-18	16-14 GA Ring Term. (#8) Nylon Insulated	*	44	7942-8	8-Way Connector, Male	*
16	7996-1	1/4 x 16-14 GA QKS Term., Male	*	45	8942-2	8-Way Connector, Female	*
17	5996-8	6 GA Ring Lug (5/16)	*	46	8942-3	5-Way Connector, Male	*
18	5996-9	22-18 GA Ring Term., #10	*	47	5940-9	3-Way Connector (M)	*
19	5996-10	16-14 GA Ring Term. (5/16)	*	48	7942-15	6-Way Connector (Female)	*
20	5996-12	12-10 GA Ring Term. (5/16)	*	49	7940-3	Packard Plug (Male)	*
21	5996-13	16-14 GA Ring Term., # 10	*	50	7940-4	Packard Plug (Female)	*
22	5996-15	12-10 GA Ring Term. (1/2)	*				
23	5996-16	6 GA Ring Terminal (1/4)	*				
24	5996-17	16-14 GA Ring Term. (1/4)	*				
25	5996-20	12-10 GA Ring Term. (1/4)	*				
26	5996-21	12-10 GA Ring Term., #10	*				
27	7942-4	Single Connector, Male	*				
28	8942	2-Way Connector, Male	*				

\* Service Part Only

**NOTE:** Not all Electrical Connectors are used with all assemblies.

**NOTE:** Refer to **ELECTRICAL ASSEMBLY**, Pages 30-31 for locations of Wiring Harness, Electrical Components and of all Electrical Wiring Service Parts.

# ELECTRICAL CONNECTORS



# ARMREST KIT / TOUCH-UP PAINT

ITEM NO.	PART NO.	DESCRIPTION	NO. REQ'D
----------	----------	-------------	-----------

**Kit 5885 Armrest Option / Kit**

Includes Items # 1-5, fasteners listed and instructions. May be ordered as a dealer-installed option. Contact your Walker dealer.

1	5886-1	Armrest, RH	1
2	5886-3	Cover Plate, RH	1
3	5887	Mounting Bracket	1
4	5886-4	Cover Plate, LH	1
5	5886-2	Armrest, LH	1
	5888	Armrest Hardware Kit (Includes Items # F305, F306, F307 & F308)	*

ITEM NO.	PART NO.	DESCRIPTION	NO. REQ'D
----------	----------	-------------	-----------

**Touch-Up Paint**

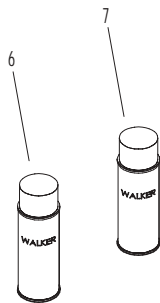
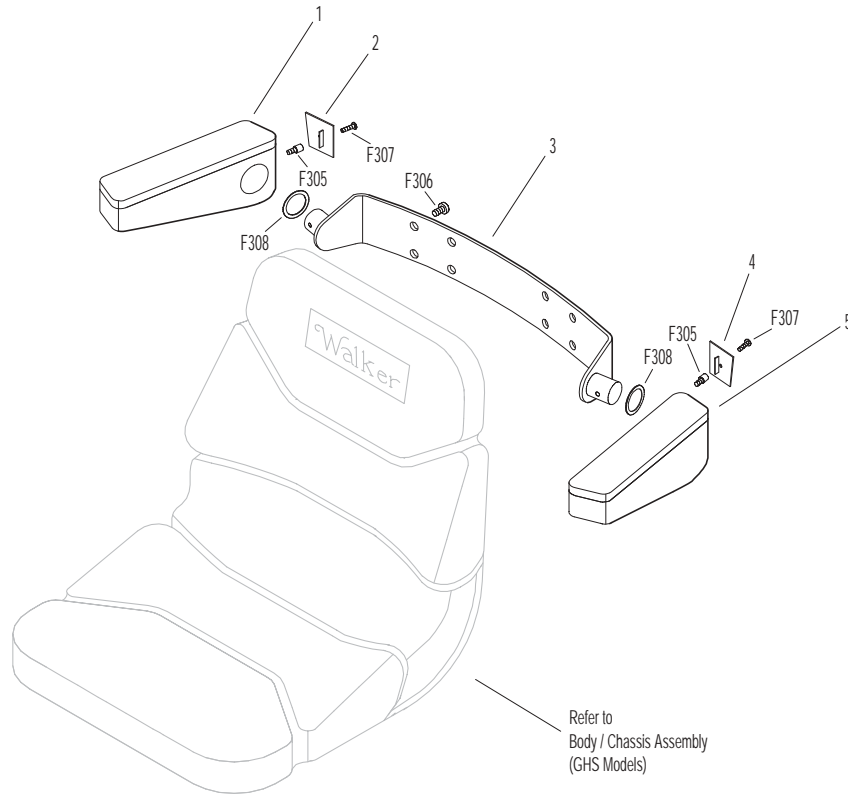
6	5866	Touch-Up Paint, Yellow (12 oz. Aerosol)	
7	5867	Touch-Up Paint, Grey (12 oz. Aerosol)	

**Fasteners**

	F305	1/4-20 x 3/8 SH Cap Screw	2
	F306	3/8-16 x 3/4 Hex Bolt	4
	F307	#10 x 5/8 PPHST Screw	2
	F308	1-1/4 x 1-5/8 Wave Spring Washer	2

\* Service Part Only

# ARMREST KIT / TOUCH-UP PAINT



## COMFORT SEAT / ARMREST KIT

ITEM NO.	PART NO.	DESCRIPTION	NO. REQ'D
----------	----------	-------------	-----------

**Kit 6103-5 Comfort Seat Option / Kit (Grey)**

Includes Item # 1 and fasteners listed (except as indicated; refer to **NOTE**) and instructions. May be ordered as a factory-installed option or as a kit for dealer installation. Contact your Walker dealer.

1	6103-5	Comfort Seat	1
2	7203	Seat Spring Plate	1
3	7223	Compression Spring (1/2 x 1)	2
4	7846	Rubber Washer (3/8 ID x 1-1/4 OD x 1/8)	2
5	7204	Shoulder Bolt, Seat Mount	2
6	7845	Rubber Bumper (1.375 OD x .63)	2
7	7440-5	Shock Mount (1.25 D x .75)	2

ITEM NO.	PART NO.	DESCRIPTION	NO. REQ'D
----------	----------	-------------	-----------

**Kit 6103-15 Armrest Option / Kit**

Includes Items # 8, 9 and instructions. Item # 8 is the **Right** side armrest only. Item # 9 is the **Left** side armrest only. Sold only as a complete set and may be ordered together as a factory-installed option or as a kit for dealer installation. Contact your Walker dealer.

8	NS	Armrest, Right Side	1
9	NS	Armrest, Left Side	1

**Fasteners**

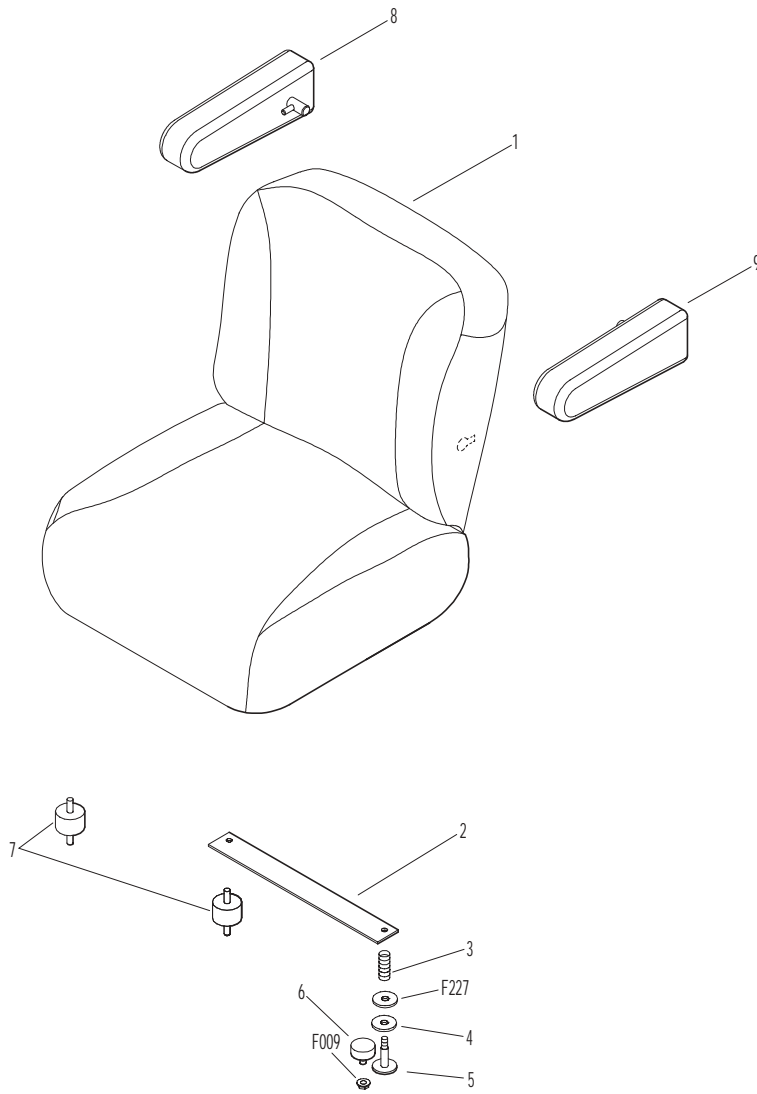
F009	5/16 - 18 Whiz Locknut	2
F227	3/8-1-1/4 x 1/8 Plastic Washer	2

**NOTE:** Reuse Items # 3-7, F009 and F227 from Seat Assembly. Refer to **BODY / CHASSIS ASSEMBLY (GHS MODELS)**, Page 4.



# COMFORT SEAT / ARMREST KIT

---



# SUSPENSION SEAT KIT

ITEM NO.	PART NO.	DESCRIPTION	NO. REQ'D
----------	----------	-------------	-----------

**Kit 6103-9 Armrest Kit**

Includes Items # 1-6 and instructions. May be ordered as a factory-installed option or as a kit for dealer installation. Contact your Walker dealer.

1	6103-92	Armrest, RH	1
2	NS	5/8 Nut Cover	4
3	NS	7/16-20 x 13/4 HHCS	4
4	NS	3/8 SAE Washer	4
5	NS	Bushing, 3/4 x 3/4	4
6	6103-91	Armrest, LH	1

**Kit 6103-10 Suspension Seat Option / Kit**

Includes Items # 7-9, 11-13, 18, 21, fasteners listed (except as indicated; refer to **NOTE**) and instructions. May be ordered as a factory-installed option or as a kit for dealer installation. Contact your Walker dealer.

7	6103-11	Suspension Seat	1
8	5941	Safety Switch (Normal Open)	*
9	6103-33	Seat Mount Plate, LH	1
10	7223	Compression Spring	2
11	5975-3	Cable Tie (50# x 7")	2
12	5975-1	Cable Tie (18# x 3-3/4")	1
13	6103-12	Wire Harness, S Suspension Seat	1
14	7846	Rubber Washer 3/8 x 1-1/4 x 1/8	2
15	7204	Shoulder Bolt, Seat Mount	2
16	5453-20	Steering Lever Handle (+1"), Adj.	2
17	5977-5	Grommet (5/8)	2
18	5841	Retainer Washer	2
19	7845	Rubber Bumper (1.375 x 0.63)	2
20	7440-5	Shock Mount (1.25 x 0.75)	2
21	6103-34	Seat Mount Plate, RH	1

ITEM NO.	PART NO.	DESCRIPTION	NO. REQ'D
----------	----------	-------------	-----------

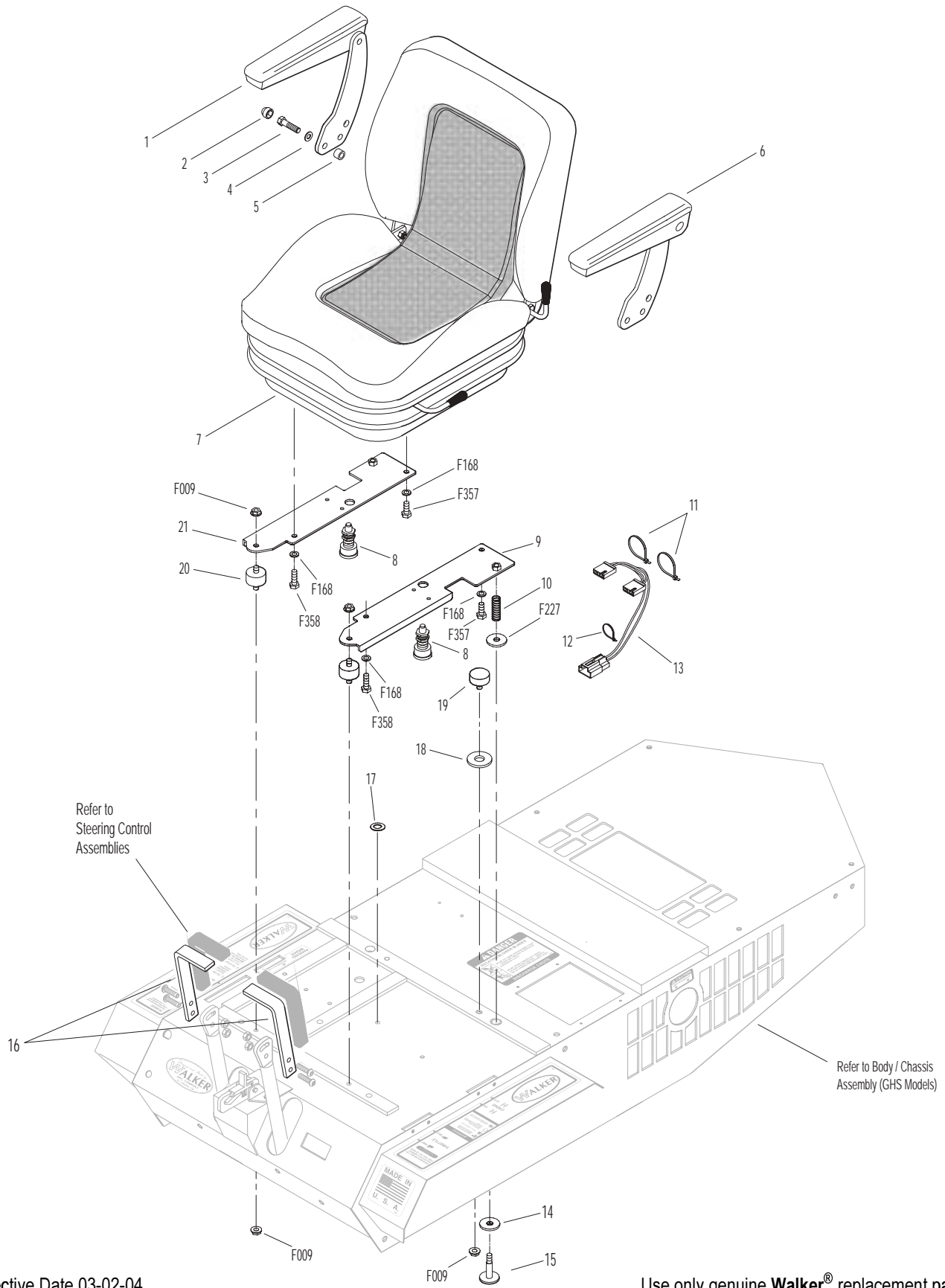
**Fasteners**

F009		5/16-18 Whiz Locknut	6
F168		5/16 Split Lock Washer	4
F227		3/8 x 1-1/4 x 1/8 Washer (Plastic)	2
F357		M8 x 16 Hex Bolt	2
F358		M8 x 25 Hex Bolt	2

\* Only one Safety Switch is included with kit. One is reused from Electrical Assembly. Refer to **ELECTRICAL ASSEMBLY**, Page 30.

**NOTE:** Reuse Items # 8, 10, 14, 15, 17, 19 and Item # F227 from Seat Assembly. Refer to **BODY / CHASSIS ASSEMBLY (GHS MODELS)**, Page 4.

# SUSPENSION SEAT KIT



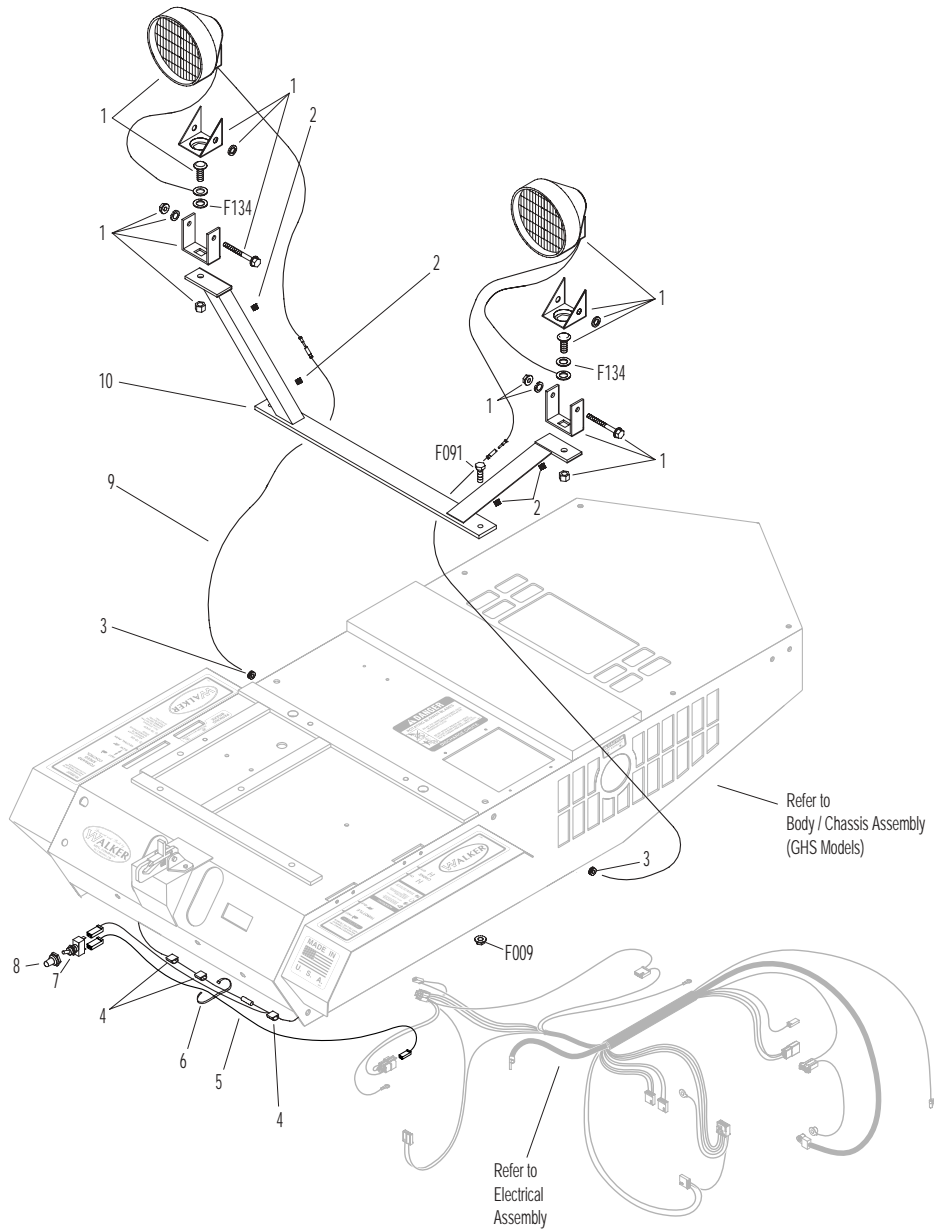
Effective Date 03-02-04

Use only genuine Walker® replacement parts.

# LIGHT KIT

ITEM NO.	PART NO.	DESCRIPTION	NO. REQ'D	ITEM NO.	PART NO.	DESCRIPTION	NO. REQ'D
<b>5989 Light Kit*</b>				<b>Fasteners</b>			
1	5989-2	Light Assembly (Includes Sealed Beam Lamp)	2		F009	5/16-18 Whiz Locknut	2
	5989-6	Sealed Beam Lamp (Fits P/N 5989-2)	**		F091	5/16-18 x 5/8 Hex Bolt	2
2	7834-1	Half U-Wire Clip	4		F134	AN960816L Washer	2
3	5977-1	Grommet (1/8 x 3/8)	2	* May be ordered as a kit for dealer installation. Contact your Walker dealer.			
4	5975-5	Wire Clip, Self-Mount	3	** Service Part Only			
5	6940-10	Jumper Wire	1	<b>NOTE:</b> Upon installation of kit, Item # 3 replaces P/N 5989-4 (Dome Plug, 3/8), Item # 7 replaces P/N 5989-5 (Dome Plug, 7/16), and Item # F091 replaces P/N 5989-3 (Dome Plug, 5/16). Dome Plugs are not shown here. Refer to <b>BODY / CHASSIS ASSEMBLY (GHS MODELS)</b> , Page 4.			
6	5975-1	Cable Tie (18# x 3-3/4")	1	<b>NOTE:</b> Refer to <b>ELECTRICAL CONNECTORS</b> , Page 34 for identification of all Electrical Wiring Service Parts.			
7	5995	Toggle Switch (Off-On)	1				
8	5995-2	Switch Boot	1				
9	7995-4	Power Lead Wire Assembly (Lights)	1				
10	7992	Mount Bracket, Lights (Includes Items # 6 & 7)	1				

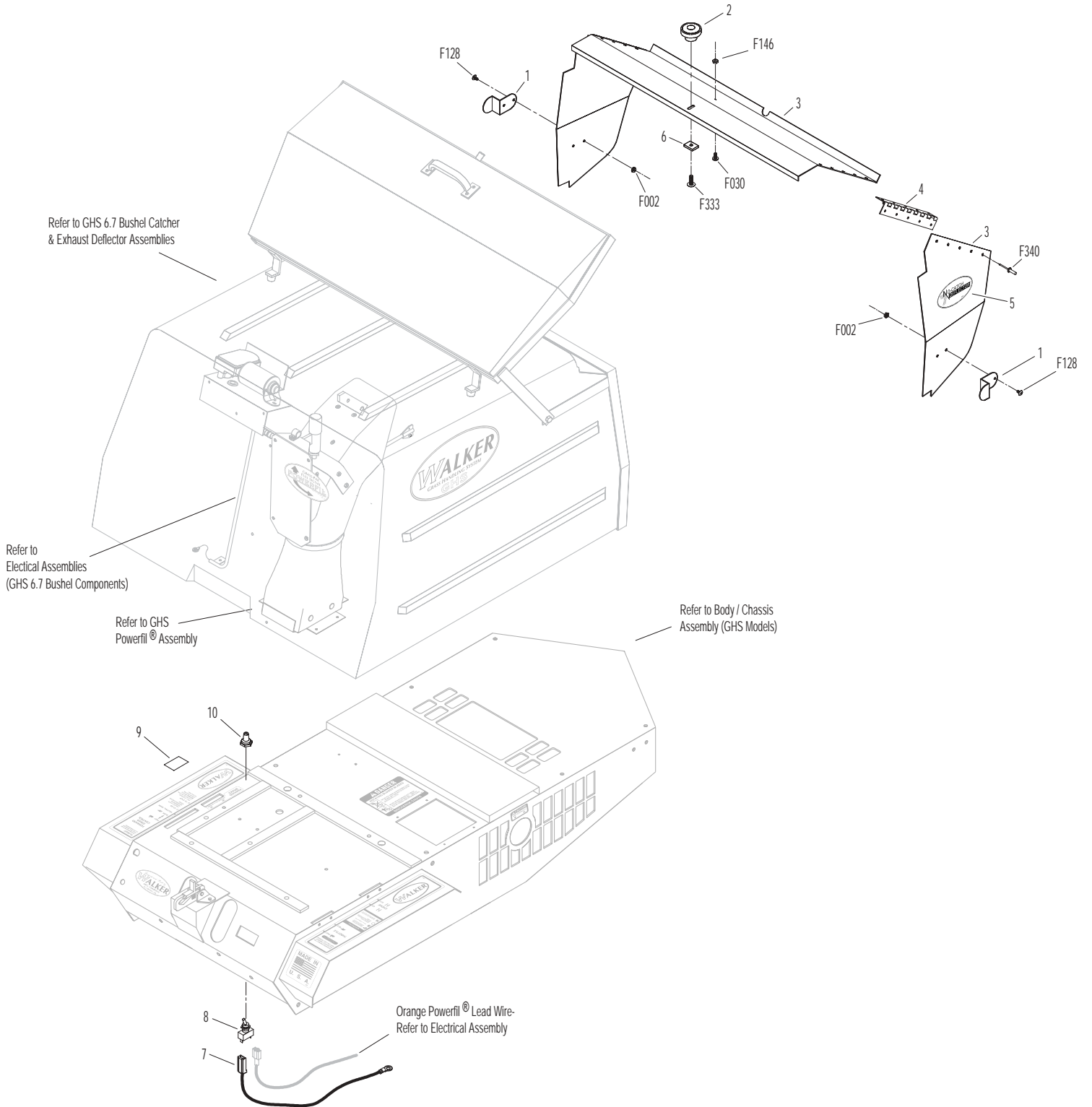
# LIGHT KIT



## NO CATCH DEFLECTOR KIT (6.7 BUSHEL)

ITEM NO.	PART NO.	DESCRIPTION	NO. REQ'D	ITEM NO.	PART NO.	DESCRIPTION	NO. REQ'D
<b>Kit 5500 No Catch Deflector Option / Kit (6.7 Bushel)</b> Includes Items # 1-10, fasteners listed and instructions. May be ordered as a kit for dealer installation. Contact your Walker dealer.				<b>Fasteners</b>			
1	8500-5	Side Bracket	2	F002		10-24 Keps Nut	4
2	8787-2	Knob (1/4-20) Thrd Insert	1	F030		1/4-20 x 1/2 PPH Bolt	1
3	5500	6.7 Deflector Assembly (Includes Items # 4 & F340)	1	F128		10-24 x 3/8 PTHMS	4
4	5726-10	Hinge (2 x 8)	2	F146		1/4-20 Jam Nut	1
5	8500-8	Decal, No Catch Deflector	1	F333		1/4-20 x 3/4 PTHMS	1
6	8500-6	Spacer Lug	1	F340		Rivet, Aluminum	20
7	5500-8	Wire Assembly, 6.7 No Catch Deflector	1	<b>NOTE:</b> Refer to <b>ELECTRICAL CONNECTORS</b> , Page 34, for identification of all Electrical Wiring Service Parts.			
8	5995	Toggle Switch (Off - On)	1				
9	8500-9	Decal, Off - On	1				
10	5995-2	Switch Boot	1				

# NO CATCH DEFLECTOR KIT (6.7 BUSHEL)



## OPTIONAL TIRES & TIRE CHAIN SETS

ITEM NO.	PART NO.	DESCRIPTION	NO. REQ'D
----------	----------	-------------	-----------

### Tire Chain Sets<sup>\*\*\*</sup>

1	5675	Tire Chain Set (18 x 6.50-8) (Includes Item # 2) (For use with Standard Narrow Drive Tires)	1
	5675-2	Tire Chain Set (18 x 8.50-8) (Includes Item # 2) (For use with Wide Wheel & Tire Assy)	1
2	8070-31	Wheel Spacer Plate (1/2)	2 <sup>**</sup>

### Optional Wide Drive Tires<sup>Δ</sup>

3	5070-5	Wheel & Tire Assembly (18 x 8.50-8)	2
	5070-2	Tire Only (18 x 8.50-8)	*
	5070-4	Wheel Only (8 x 7)	*

ITEM NO.	PART NO.	DESCRIPTION	NO. REQ'D
----------	----------	-------------	-----------

### Fasteners

F157	1/2-20 x 1-1/4	Wheel Lug Bolt	8
------	----------------	----------------	---

\* Service Part Only

\*\* Wheel Spacer Plates (Item 2) are included with Tire Chain Sets .

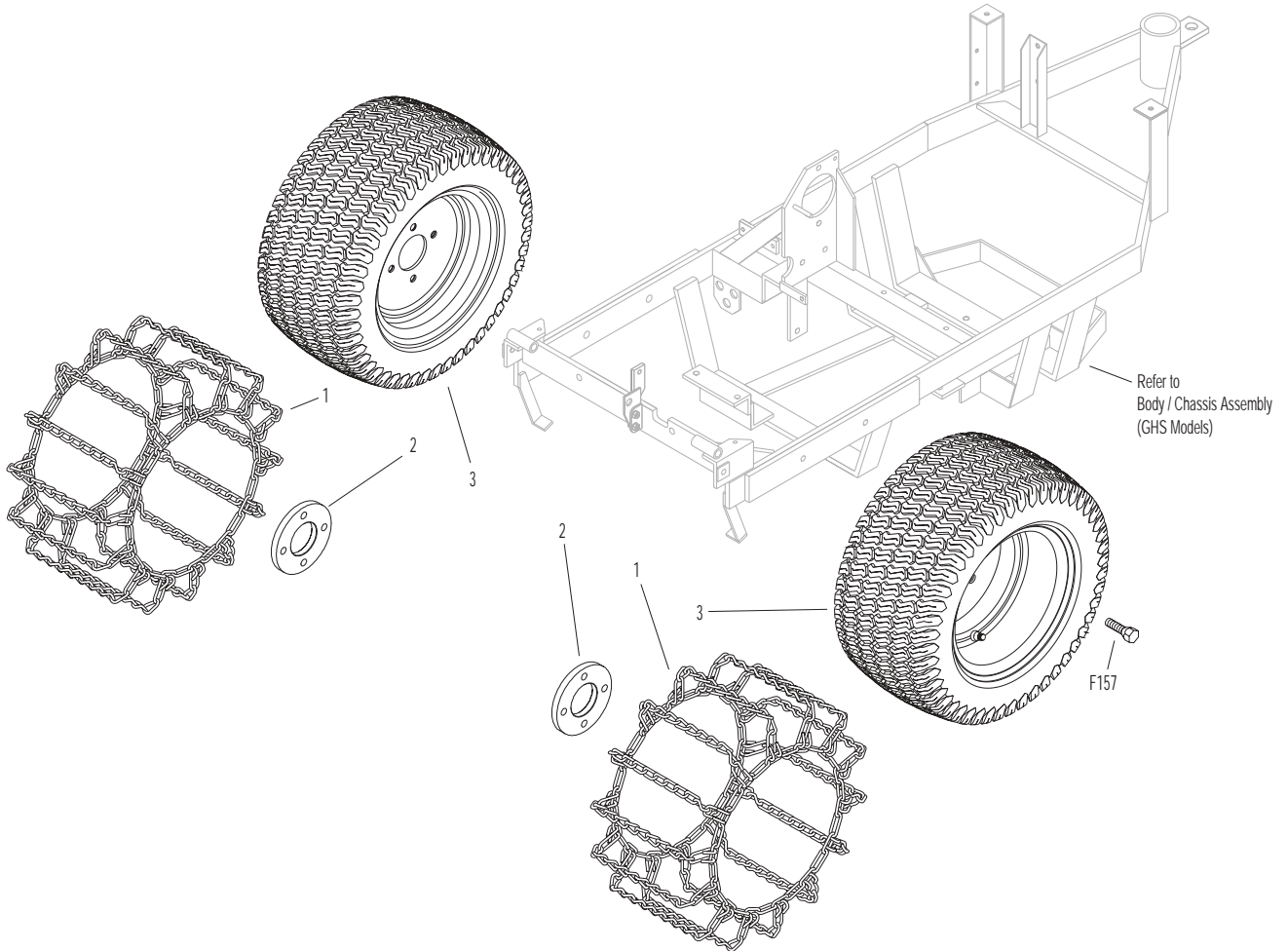
\*\*\* May be ordered as a factory-installed option or as a kit for dealer installation. Contact your Walker dealer.

Δ May be ordered as a kit for dealer installation. Contact your Walker dealer.

**NOTE:** Item F157 is reused from Body Assembly and is not included with this kit. Refer to **BODY / CHASSIS ASSEMBLY (GHS MODELS)**, Page 4.



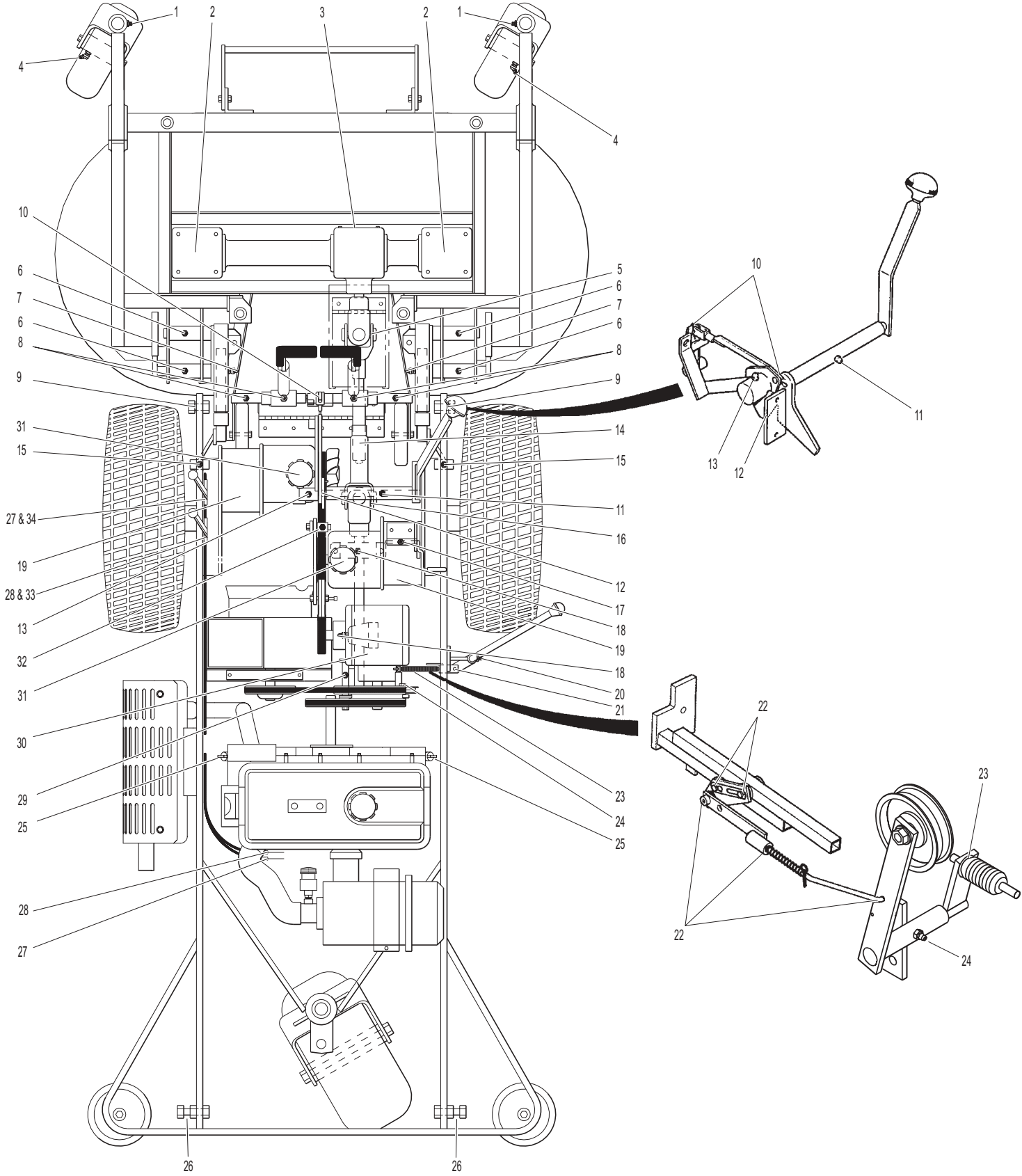
# OPTIONAL TIRES & TIRE CHAIN SETS



# LUBRICATION POINTS

ITEM NO.	LOCATION	LUBRICATION TYPE	NO. PLACES	ITEM NO.	LOCATION	LUBRICATION TYPE	NO. PLACES
<b>Lubrication Points</b>				29	Engine Belt Tightener Pivot	Grease	1
1	Deck Caster Wheel Fork Pivot	Grease	2	30	Right Angle Gearbox, Tractor	Oil***	1
2	Blade Drive Gearbox	Oil*	2	31	Hydrostatic Drive	Oil***	2
3	Tee Gearbox, Deck	Oil*	1	32	Ground Drive Belt Tightener Pivot	Grease	1
4	Deck Caster Wheel Bearing	Grease	2	33	Choke Control Pivot	Oil	1
5	Universal Joint Shaft Assembly	Grease**	1	34	Throttle Control Pivot	Oil	1
6	Pivot Assembly, Tilt-Up Deck	Grease	4	* Gearboxes are permanently lubricated and sealed requiring no scheduled lubrication. Oil level should be checked only when an oil leak is noted.			
7	Deck Support Arm Socket	Grease	2	** Grease every eight (8) hours.			
8	Steering Lever Pivot	Grease	4	*** Refer to <b>Gear Axle Lubrication, Engine Oil, Tractor PTO Gearbox Lubrication, and Hydrostatic Transmission Fluid</b> in Owner's Manual.			
9	Body Hinge Point	Oil	2	Δ Sealed, relubricatable-type bearings, grease lightly once per year, <b>do not over grease</b> or seals will be damaged.			
10	FSC Actuator Rod Pivot Pins	Oil	2	<b>NOTE:</b> See Model MS <b>Owner's Manual</b> (P/N 5000-11) for proper lubrication intervals.			
11	FSC Lever Pivot	Grease	1	<b>NOTE:</b> DGHS42 Tilt-Up Deck is shown for reference. For other Deck Lubrication Points, refer to <b>Deck and Carrier Frame Illustrated Parts Manual</b> .			
12	FSC Lever Fork	Grease	1				
	(Grease Slide Area)						
13	(FSC) Friction Body Pivot	Grease	1				
14	Deck-to-PTO Coupling	Grease	1				
	(Grease Slide Area)						
15	Deck Support Arm Pivot	Grease	2				
16	Universal Joint Tube Assembly	Grease**	1				
17	Parking Brake Lever	Grease	1				
18	Pillowblock Bearing, Drive Shaft	Grease <sup>Δ</sup>	2				
19	Gear Axle	Oil***	2				
20	Clutch Control Lever Pivot	Grease	1				
21	Clutch Control Clevis Pin	Oil	1				
22	Scrubber Brake Linkage	Oil	5				
	(GHS Model Only)						
23	Clutch Actuator Rod	Grease	1				
	(Grease Slide Area)						
24	PTO Belt Tightener Pivot	Grease	1				
25	Engine Dipstick / Oil Filler	Oil***	2				
26	Catcher Hinge Point	Oil	2				
27	Throttle Control Cable Ends	Oil	2				
28	Choke Control Cable Ends	Oil	2				

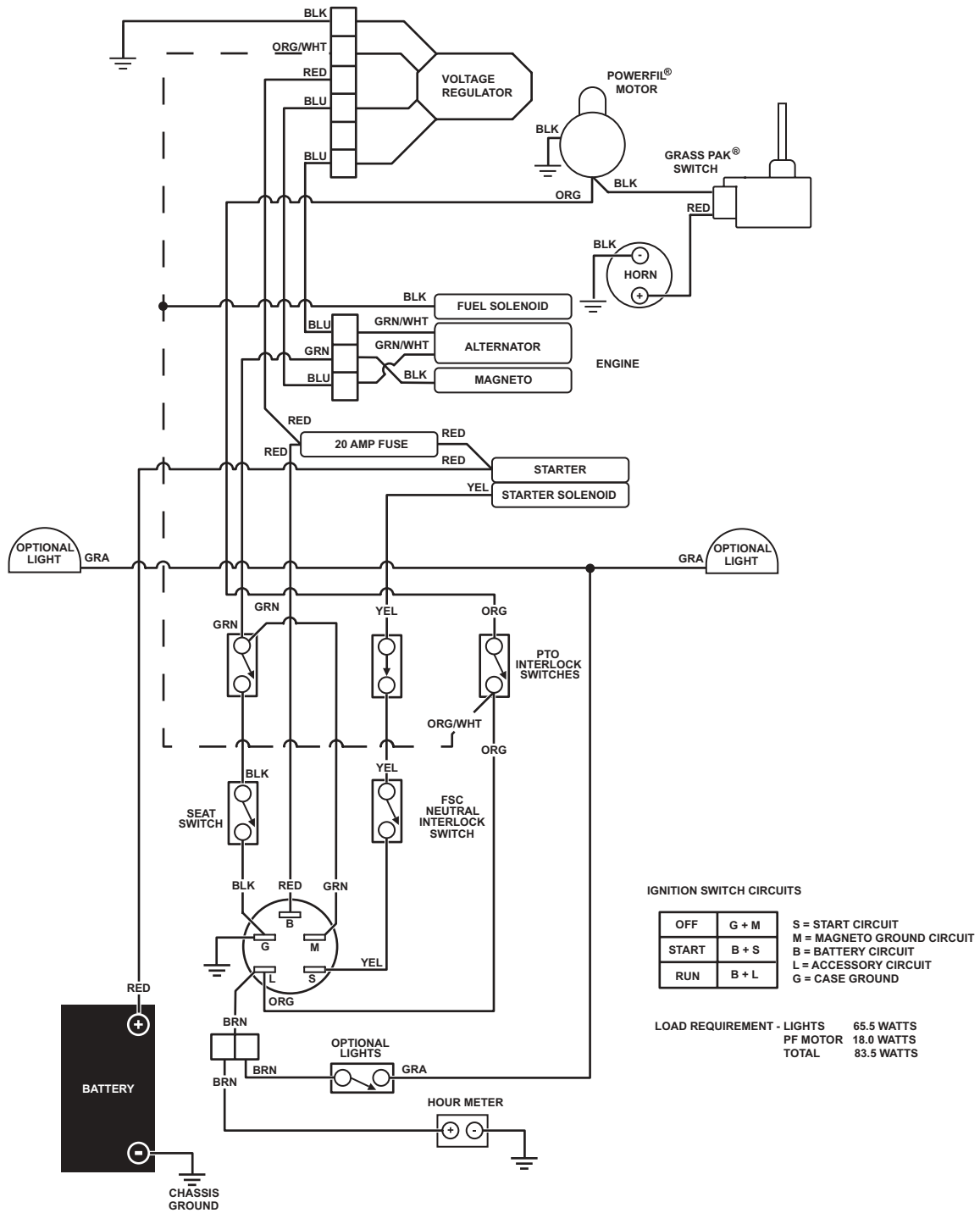
# LUBRICATION POINTS



Effective Date 03-02-04

Use only genuine Walker® replacement parts.

# WIRING SCHEMATIC



Use only genuine **Walker**® replacement parts.

Effective Date 03-02-04

# OPERATOR'S NOTES

---

# OPERATOR'S NOTES

---

# LIMITED WARRANTY FOR WALKER COMMERCIAL RIDER MOWER

## 1. WHAT THIS WARRANTY COVERS, AND FOR HOW LONG:

Walker Manufacturing company will, at its option, repair or replace, without charge, any part covered by this warranty which is found to be defective in material and/or workmanship within one (1) year\* after date of sale to the original retail purchaser unless the product is used for rental purposes, in which case this warranty is limited to ninety (90) days. At Walker's request, customer will make the defective part available for inspection by Walker and/or return the defective part to Walker, transportation charges prepaid. All parts and components of the Walker Mower are covered by this warranty **except** the following components which are warranted separately by their respective manufacturers:

Kohler Engine  
Kubota Engine  
Kawasaki Engine  
Eaton Hydraulic Transmission  
Peerless Gearboxes  
Battery  
Tires

The available warranties covering these items are furnished with each mower. Walker does not assume any warranty obligation, liability or modification for these items, which are covered exclusively by the stated warranty of the respective manufacturers noted above.

\* An extended three (3) year warranty is offered on the Walker P/N 6200-9 Gear Axle Assembly.

## 2. WHAT THIS WARRANTY DOES NOT COVER:

- A. This warranty does not cover defects caused by depreciation or damage caused by normal wear, accidents, improper maintenance, improper use or abuse of the product, alterations, or failure to follow the instructions contained in the Owner's Manual for operation and maintenance.
- B. The customer shall pay any charges for making service calls and/or for transporting the mower to and from the place where the inspection and/or warranty work is performed.

## 3. HOW TO OBTAIN SERVICE UNDER THIS WARRANTY:

Warranty service can be arranged by contacting the dealer where you purchased the mower or by contacting Walker Manufacturing Company, 5925 East Harmony Road, Ft. Collins, CO 80528. Proof of the date of purchase may be required to verify warranty coverage.

## 4. WARRANTY LIMITATION:

- A. **THERE IS NO OTHER EXPRESS WARRANTY. ANY WARRANTY THAT MAY BE IMPLIED FROM THIS PURCHASE INCLUDING MERCHANTABILITY AND FITNESS FOR A PARTICULAR PURPOSE IS HEREBY LIMITED TO THE DURATION OF THIS WARRANTY AND TO THE EXTENT PERMITTED BY LAW ANY AND ALL IMPLIED WARRANTIES ARE EXCLUDED.** Some states do not allow limitations on how long an implied warranty lasts, so the above limitations may not apply to you.
- B. **WALKER WILL NOT BE LIABLE FOR ANY INCIDENTAL, CONSEQUENTIAL, OR SPECIAL DAMAGES AND/OR EXPENSES IN CONNECTION WITH THE PURCHASE OR USE OF THE MOWER.** Some states do not allow the exclusion or limitation of incidental or consequential damages, so the above limitation(s) or exclusion(s) may not apply to you.
- C. Only the warranty expressed in this limited warranty shall apply and no dealer, distributor, or individual is authorized to amend, modify, or extend this warranty in any way. Accordingly, additional statements such as dealer advertising or presentations, whether oral or written, do not constitute warranties by Walker, and should not be relied upon.
- D. This warranty gives you specific legal rights, and you may also have other rights which vary from state to state.

# WALKER MOWERS™

WALKER MFG. CO. • 5925 E. HARMONY ROAD, FORT COLLINS, CO 80528 • (970) 221-5614  
FORM NO. 010104 PRINTED IN USA ©2004 WALKER MFG. CO