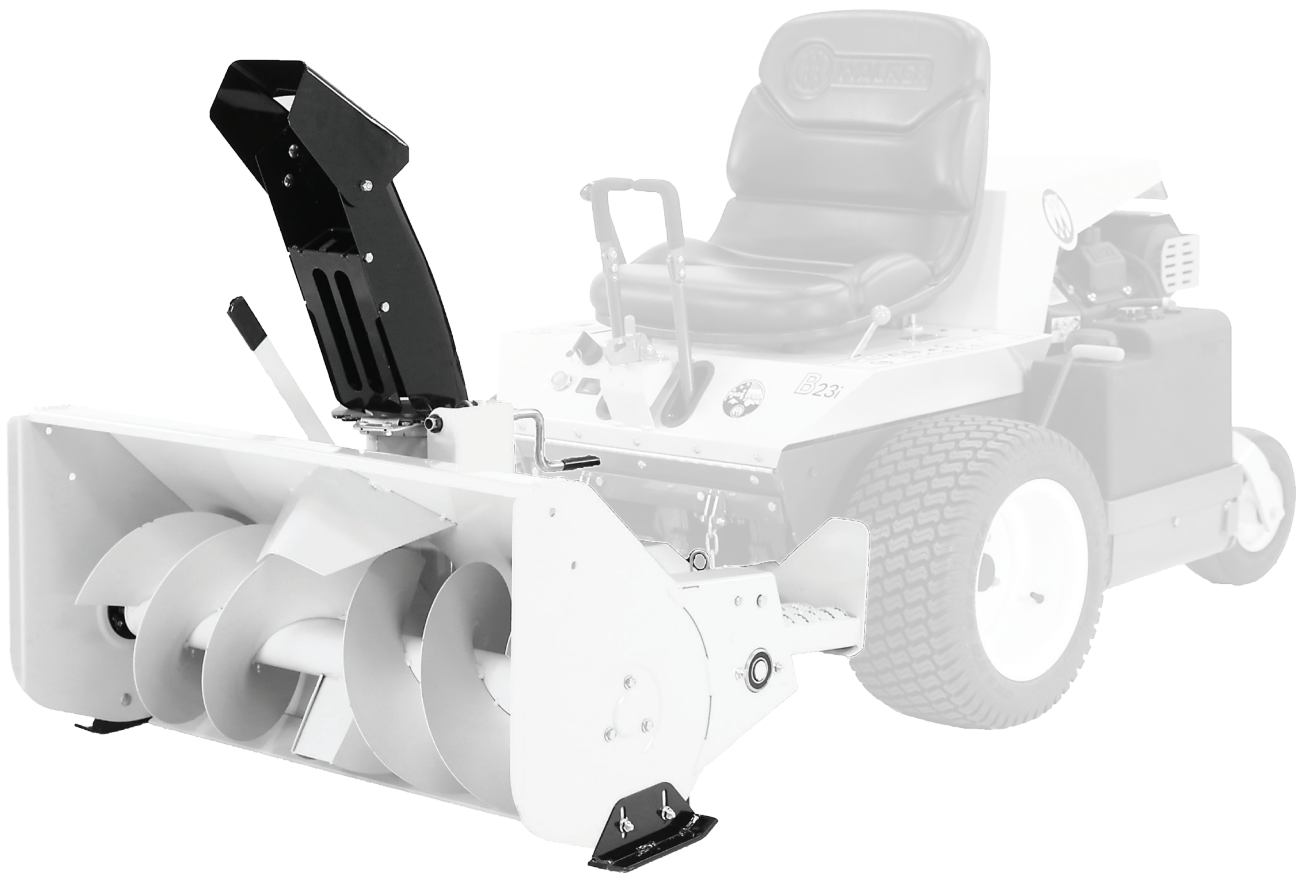




WALKER

A11: 36" Single-Stage Snowblower Operator's Manual

Assembly, Attaching, Removing, Operation and Maintenance
Compatible with models: B, C, D, T, S



Please Read and Save These Instructions

For Safety, Read All Assembly and Operation Instructions
Prior to Operating Attachment

Effective Date: 03.11.16



Foreword

Thank you...for purchasing a Walker snowblower. Every effort has been made to provide you with the most reliable product on the market, and we are sure you will be among our many satisfied customers. If for any reason this product does not perform to your expectations, please contact us at (970) 221-5614. Every customer is important to us. Your satisfaction is our goal.

Please... read this manual thoroughly! This manual is to be used in conjunction with this mower owner's manual and the engine manufacturer's manual for the specific engine on the mower model you are using. Before you operate your new snowblower, please read this entire manual.

Some of the information is crucial for proper operation and maintenance of this product – it will help protect your investment and ensure that the snowblower performs to your satisfaction. Some of the information is important to your safety and must be read and understood to help prevent possible injury to your operator or others. If anything in this manual is confusing or hard to understand, please call your service department, at (970) 221-5614, for clarification before operating or servicing this product.

This manual covers the Model 5600-20 Single Stage Snowblower

All shields and guards must be in place for the proper and safe operation of this snowblower. Where they are shown removed in this manual, it is for illustration purposes only. **Do not operate this product unless all shields and guards are in place.**

Walker Mfg. Co. is continually striving to improve the design and performance of its products. We reserve the right to make changes in specifications and design without thereby incurring any obligation relative to previously manufactured products.

Sincerely
WALKER MANUFACTURING COMPANY

A handwritten signature in black ink that reads "Bob Walker". The signature is written in a cursive, slightly slanted style.

Bob Walker, President

TABLE OF CONTENT

INTRODUCTION – To the Purchaser	3
SAFETY PRECAUTIONS	4
Before Operation	5
Notice	6
The Snowblower	6
Before Operation	6
Snowblower Operation	7
The Tractor	8
General Information	8
Operating the Tractor	8
During Operation	8
Maintenance	9
Storage	10
DECALS	11
ASSEMBLY	12
Snowblower assembly	12
Snowblower Installation on the Tractor	15
Installation of Tire Chains (optional)	17
Counterweights	17
Tractors with GHS	17
OPERATION 18	
Tractor Controls	18
Lift Handle	18
Foot Trigger	18
Rotation Handle	18
Deflector Positions	18
Engaging the Snowblower	18
Stopping the Snowblower	18
Recommendation for Snowblowing	18

TABLE OF CONTENT

ADJUSTMENTS	19
Deflector Adjustment	19
Skid Show Adjustment.....	19
SNOW REMOVAL METHODS	20
MAINTENANCE.....	21
Shearbolt Replacement.....	21
Lubrication.....	22
PARTS	23
Introduction	23
Snowblower Assembly.....	24
Drive System.....	26
Rotation System.....	27
Chute Assembly.....	28
TORQUE SPECIFICATION TABLE.....	29

INTRODUCTION

TO THE PURCHASER

All products are designed to give safe, dependable service if they are operated and maintained according to instructions. **Read and understand this manual before operation.**

This manual has been prepared to assist the owner and operators in the safe operation and suitable maintenance of the snowblower. The information is applicable to products at the time of manufacture and does not include modifications made afterwards.

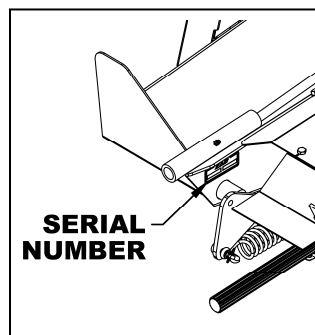
Read and understand this operator's manual before attempting to put snowblower into service. Familiarize yourself with the operating instructions and all the safety recommendations contained in this manual and those labeled on the snowblower and on the tractor. Follow the safety recommendations and make sure that those with whom you work follow them.

Illustrations

The illustrations may not necessarily reproduce the full detail and the exact shape of the parts or depict the actual models, but are intended for reference only.

Direction Reference

All references to right and left, forward or rearward, are from the operator's seat, facing the steering wheel.



To assist your dealer in handling your needs, please record hereafter the model number and serial number of your snowblower and tractor. It is also advisable to supply them to your insurance company. It will be helpful in the event that snowblower or tractor is lost or stolen.

TRACTOR

SNOWBLOWER

MODEL:

SERIAL NUMBER:

DATE OF PURCHASE:


DEALER NAME:


SAFETY PRECAUTIONS




SAFETY FIRST

This symbol, the industry's "Safety Alert Symbol", is used throughout this manual and on labels on the machine itself to warn of the possibility of personal injury. Read these instructions carefully. It is essential that you read the instructions and safety regulations before you attempt to assemble or use this snowblower.

 **DANGER :** Indicates an immediate hazardous situation which, if not avoided, will result in death or serious injury.

 **WARNING :** Indicates a potentially hazardous situation which, if not avoided, could result in death or serious injury.

 **CAUTION :** Indicates a potentially hazardous situation which, if not avoided, may result in minor or moderate injury.

IMPORTANT : Indicates that snowblower or property damage could result if instructions are not followed.

NOTE : Gives helpful information.

All products are designed to give safe, dependable service if they are operated and maintained according to instructions. **Read and understand this manual before operation.** It is the owner's responsibility to be certain anyone operating this product reads this manual, and all other applicable manuals, to become familiar with this snowblower and all safety precautions. Failure to do so could result in serious personal injury or snowblower damage. If you have any questions, consult your dealer.

BEFORE OPERATION

Children

Tragic accidents can occur if the operator is not alert to the presence of children. Children are generally attracted to machines and the work being done. Never assume children will remain where you last saw them.

1. Keep children out of the operating area and under the watchful eye of another responsible adult.
2. Be alert and turn machine off if children enter the work area.
3. Before and when backing, look behind for small children.
4. Never carry children while operating the machine. They may fall off and be seriously injured or interfere with the safe operation of the machine.
5. Never allow children to play on the machine or snowblower even when they are turned off.
6. Never allow children to operate the machine even under adult supervision.
7. Use extra care when approaching blind corners, shrubs, trees, or other obstructions that might hide children from sight.

SAFETY PRECAUTIONS - continued

NOTICE

A safe operator is the best assurance against accidents. All operators, no matter how experienced they may be, should read this operator's manual and all other related manuals before attempting to operate the snowblower. Please read the following section and pay particular attention to all safety recommendations contained in this manual and those labeled on the snowblower and on the tractor.

SNOWBLOWER

Before Operation

1. Read and understand both the tractor and this operator's manual before operating the equipment. Know how to operate all controls and how to stop the unit and disengage the controls quickly. Lack of knowledge could lead to accidents.
2. Never wear loose, torn, or bulky clothing around the tractor and the snowblower. It may catch on moving parts or controls, causing injury.
3. Before and during seasons, thoroughly inspect the area where the snowblower is to be used and remove all objects that may be thrown or cause damage to the snowblower.
4. Set transmission to neutral and disengage clutch, if equipped, before starting the engine.
5. Do not operate snowblower in wintertime without wearing adequate winter garments. Always wear protective clothing.
6. Handle gasoline or diesel fuel with care. Gasoline is highly flammable and its vapors are explosive. Use an approved fuel container. Never add fuel to a running engine or hot engine (allow to cool several minutes). Keep matches, cigarettes, cigars, pipes, open flames or sparks away from the fuel tank or fuel container. Always fill fuel tank outdoors and to about one inch from the top using a funnel or spout to prevent spilling. Replace the machine fuel cap and container cal securely and clean up any spilled fuel before starting the engine.
7. Never attempt to make any adjustments while engine is running. Read this manual carefully to acquaint yourself with the snowblower as well as the tractor operator's manual. Working with unfamiliar snowblower can lead to accidents. Be thoroughly familiar with the controls and proper use of the snowblower.
8. Keep all safety guards in place and verify hardware for proper tightening.
9. Check for moving parts excessive wear regularly. Replace worn parts with genuine parts.
10. Replace all missing, illegible, or damaged safety and warning decals. See list of decals in operator's manual.
11. Keep safety decals clean of dirt and grime.
12. Be sure any interlock switches are functioning correctly so the engine cannot be started unless the Forward Speed Control lever is in the Neutral position and the PTO clutch is in the disengaged position. Also, the engine should stop is the operator lifts of the seat with the PTO clutch in the engaged position.
13. Do not modify or alter this snowblower or any of its components, or any snowblower function without first consulting your dealer.
14. Make sure the tractor is counterweighted as recommended by your dealer. Weights provide the necessary balance to improve stability, traction and steering.

SAFETY PRECAUTIONS - continued

Snowblower Operation

1. Before leaving the tractor/snowblower unattended, take all possible precautions. Park the tractor/snowblower on level ground, place the transmission in neutral, set the parking brake, disengage the PTO, lower the snowblower to the ground, place all levers including auxiliary control levers in neutral, shut off the engine and remove the ignition key.
2. Before starting the tractor/ snowblower, remove the ice that might have accumulated on the auger, inspect and clean every rotating part.
3. Prior to operation, clear work area of all objects that can be picked up and thrown. Mark all curbs, pipes, etc. that cannot be moved.
4. Be sure the PTO switch/lever is in OFF/disengaged position before starting engine.
5. Exercise extreme caution when operating on or crossing a gravel drive, walks, or roads. Stay alert for hidden hazards or traffic.
6. Do not carry passengers.
7. Keep clear of all rotating parts. Do not put hands or feet under, or into snowblower with engine running. Be especially observant of the snowblower areas of discharge, intake or all other mechanical motions.
8. Park the tractor/snowblower on level ground, place the transmission in neutral, set the parking brake, disengage the PTO, lower the snowblower to the ground, place all control levers in neutral, shut off the engine, remove the ignition key and allow the rotating parts to stop BEFORE unclogging the housing or the chute and making any repairs, adjustments or inspections. Use only a 36" long stick of wood to unclog the snowblower.
9. For your safety, do not work under any hydraulically supported machine elements that may creep down, suddenly drop or be accidentally lowered.
10. If the snowblower starts to vibrate abnormally, disengage the PTO, stop the engine immediately and check for cause. Excessive vibration is generally a sign of trouble.
11. Do not run the engine indoors except when starting engine and transporting attachment in or out of building. Carbon monoxide gas is colorless, odorless and deadly.
12. Do not touch the engine or muffler while the engine is running or immediately after stopping the engine. These areas may be hot enough to cause serious burns.
13. Do not attempt to operate on steep slopes. If operating on slopes is necessary, exercise extreme caution when changing direction.
14. Never operate snowblower without guards, and other safety protective devices in place. All tractor and snowblower shields and covers must be correctly installed at all times. When necessary to remove these, they must be reinstalled immediately.
15. Never operate snowblower near glass enclosures, automobiles, window wells, embankments, etc., without proper adjustment of snow discharge angle.
16. Never operate machine at high transport speeds on a slippery surface.
17. Use extra caution when backing up.
18. Disengage power to auger when transporting or when not in use.
19. Never operate the snowblower without good visibility and lighting.
20. Prolonged exposure to loud noise can cause impairment or loss of hearing. Wear a suitable hearing protective device such as earmuffs or earplugs to protect against objectionable or uncomfortable noises.
21. Never allow anyone near the work area.
22. Never allow anyone to operate the snowblower until they have read the manual completely and are thoroughly familiar with basic tractor and snowblower operation.

SAFETY PRECAUTIONS - continued

23. Make sure the tractor is counterweighted as recommended by your dealer. Weights provide the necessary balance to improve stability, traction and steering.
24. Always make sure all snowblower components are properly installed and securely fastened BEFORE operation.
25. Adjust housing height to clear gravel or crushed rocks surface.
26. Do not operate the snowblower with the chute assembly removed.
27. Keep away from chute discharge. This chute has the capacity to throw debris at far distances.
28. Never direct chute discharge towards people or animals. Thrown debris can cause serious injury.

SAFETY PRECAUTIONS - continued

MAINTENANCE

ALWAYS USE GENUINE PARTS WHEN REPLACEMENT PARTS ARE REQUIRED

1. Keep the tractor and snowblower properly maintained.
2. Park the tractor/snowblower on level ground, place the transmission in neutral, set the parking brake, disengage the PTO, lower the snowblower to the ground, place all control levers in neutral, shut off the engine and remove the ignition key and allow the rotating parts to stop BEFORE making any snowblower adjustments.
3. To avoid injury, do not adjust, unblock the driving system, or service the snowblower with the tractor engine running. Make sure rotating components have completely stopped before leaving the operator's seat.
4. Keep the tractor/snowblower clean. Snow, dirt or ice build-up can lead to malfunction or personal injury from thawing and refreezing in garage.
5. Always wear eye protection when cleaning or servicing the snowblower.
6. DO NOT service the tractor while the engine is running or hot, or if the unit is in motion. Always lower snowblower to the ground. If necessary to service snowblower in raised position, securely support with stands or suitable blocking before working underneath. Do not rely on hydraulically supported devices for your safety. They can settle suddenly, leak down, or be accidentally lowered.
7. Do not attempt to service machine, clear obstructions or unclog the snowblower with the engine running. Always shut off engine and allow all motion to cease.
8. The manufacturer will not claim responsibility for fitment of unapproved parts and/or accessories and any damages as a result of their use.
9. Make sure all shields and guards are securely in place following all service, cleaning, or repair work.
10. Do not modify or alter this snowblower or any of its components or operating functions. If you have questions concerning modifications, consult with your dealer.
11. Do not operate a snowblower that is defective or has missing parts. Make sure that all recommended maintenance procedures are completed before operating the snowblower.
12. Check all controls regularly and adjust where necessary. Make sure that the brakes are evenly adjusted.
13. Periodically check all nuts and bolts for tightness, especially wheel hub and rim nuts.
14. To avoid serious personal injury: Escaping hydraulic/diesel fluid under pressure can penetrate the skin causing serious injury. Do not use your hands to check for leaks. Use a piece of cardboard or paper to search for leaks. If you are injured by escaping high pressure fluid, see a medical doctor at once.
15. Stop engine and relieve pressure before connecting or disconnecting hydraulic hoses. Tighten all connections before starting engine or pressurizing hoses.

SAFETY PRECAUTIONS - continued

STORAGE

Before storing the snowblower, certain precautions should be taken to protect it from deterioration.

1. Clean the snowblower thoroughly.
2. Make all the necessary repairs.
3. Replace all safety signs that are damaged, lost, or otherwise become illegible. If a part to be replaced has a sign on it, obtain a new safety sign from your dealer and install it in the same place as on the removed part.
4. Repaint all parts from which paint has worn or peeled.
5. Perform maintenance of the snowblower as instructed under "**Maintenance**" section.
6. When the snowblower are dry, oil all moving parts. Apply oil liberally to all surfaces to protect against rust.
7. Store in a dry place.
8. If snowblower has hydraulic components, install protective plugs and caps on the quick couplers.

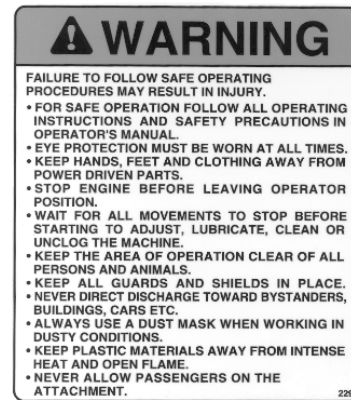
DECALS



657762



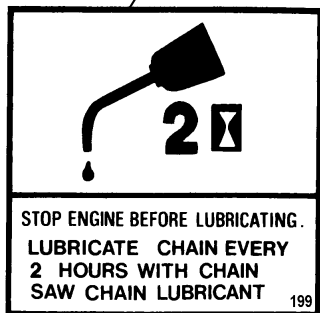
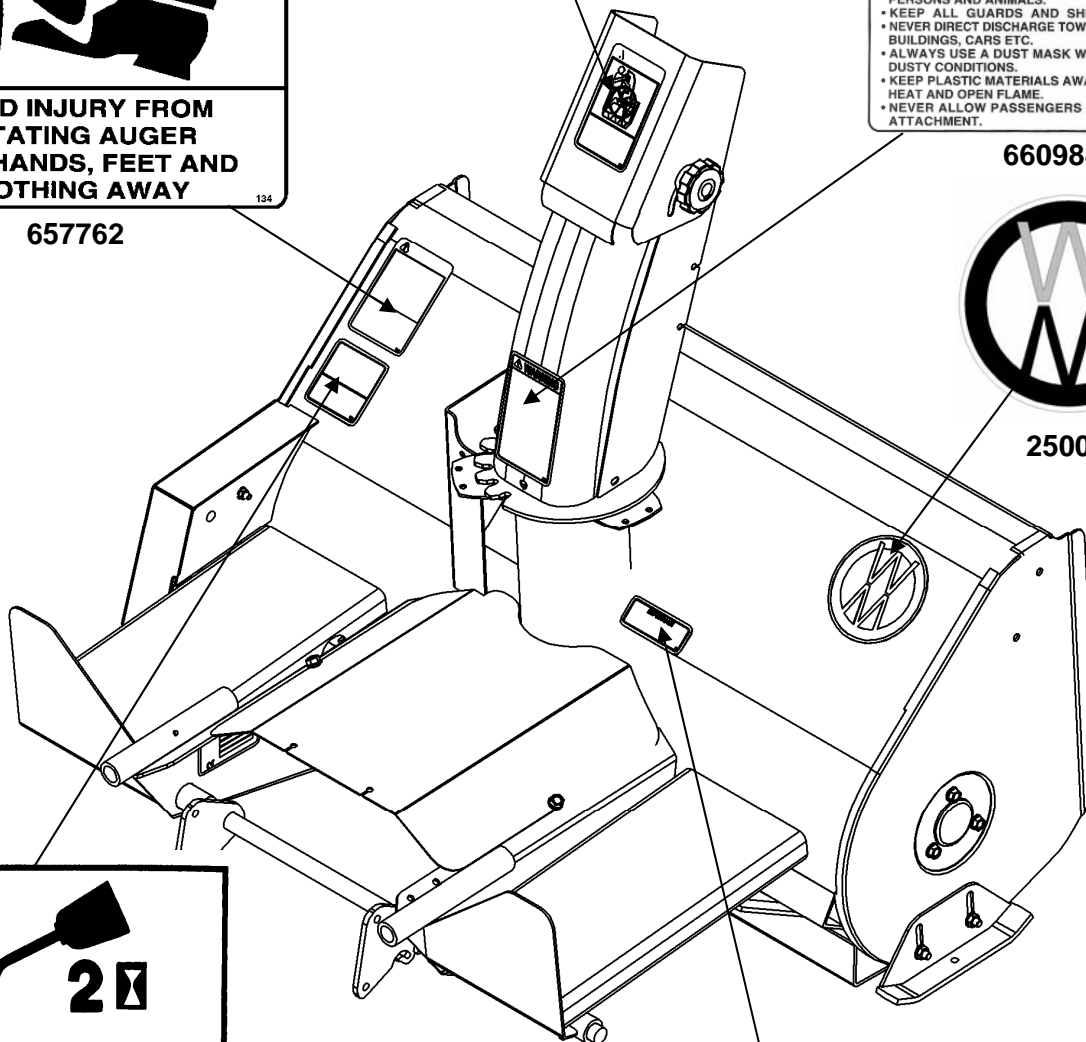
657761



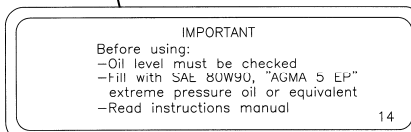
660988



2500938



660263



660263

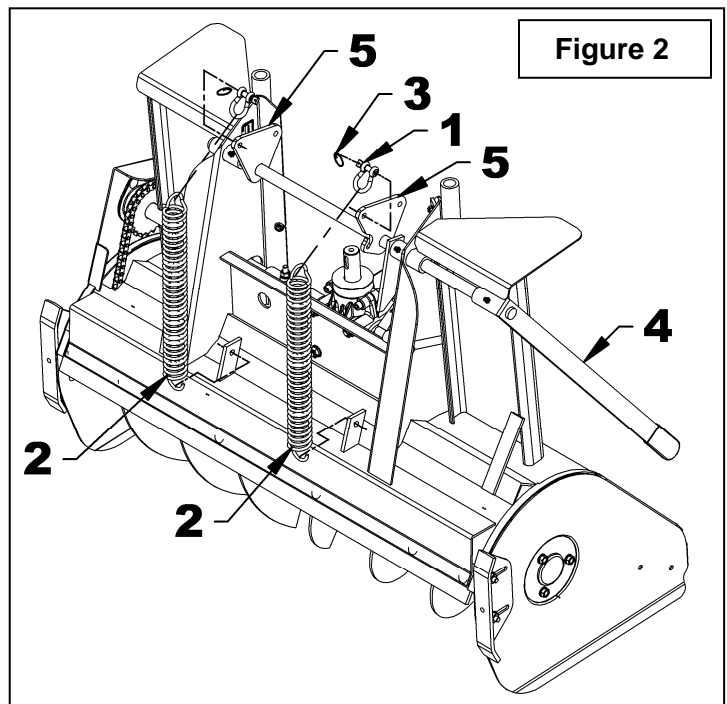
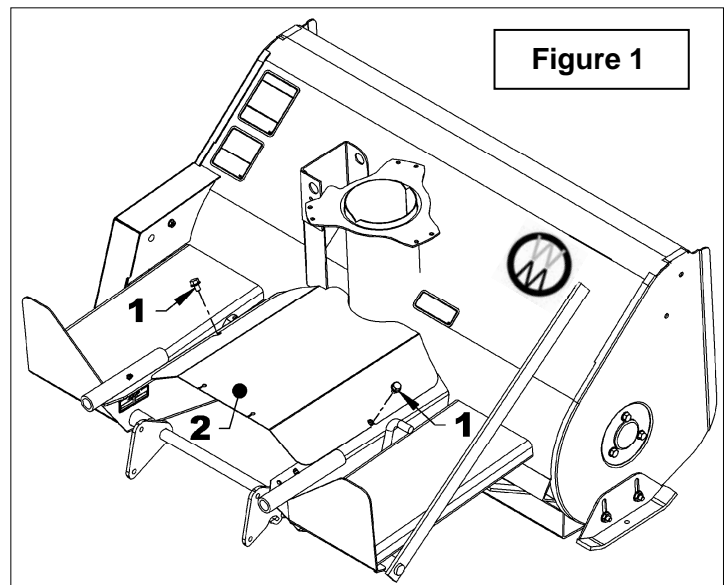
ASSEMBLY

SNOWBLOWER ASSEMBLY

The snowblower is assembled at the factory, however, snowblower kits must be assembled. Use the present manual and lay out all parts for assembly. Separate bolts and nuts into various sizes. After assembly, torque all the bolts according to the "Torque Specification Table" enclosed at the end of the manual.

Snowblower Assembly (Figure 1)

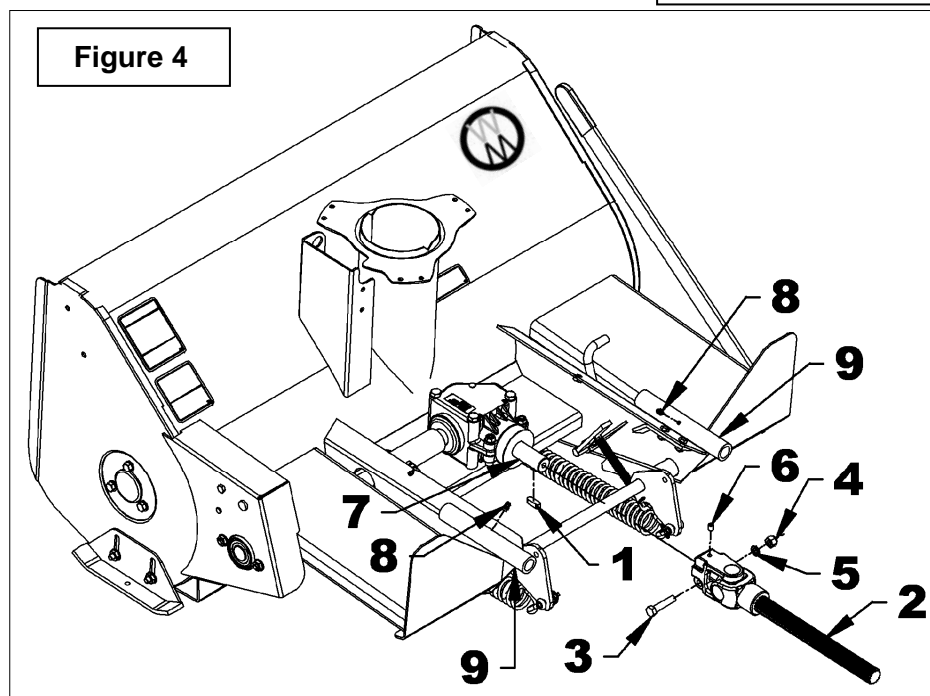
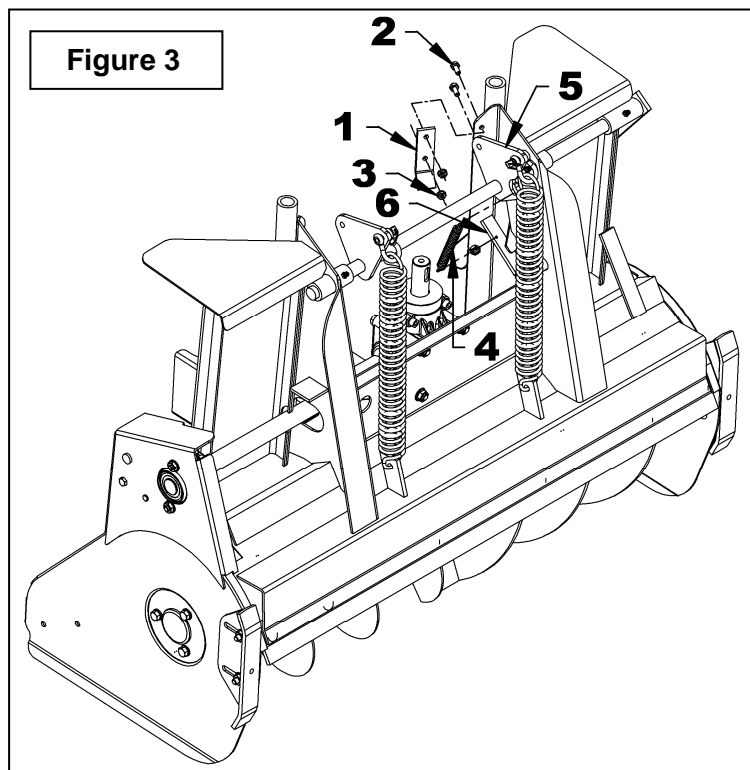
1. **Figure 1:** Remove the two 5/16"NC x 1/2" flange bolts (item 1) and the gearbox shield (item 2). Retain the bolts (item 1) for future installation of the gearbox shield (item 2).
2. **Figure 2:** Place some cardboard on the ground to protect the paint then tip the snowblower towards the front so the auger faces down.
3. **Figure 2:** Insert a $\varnothing 1"$ X 1/16" circle cotter (item 3) in each clevis (item 1) and install on each lifting triangle (item 5) as shown on the figure.
4. **Figure 2:** Attach the tension springs (item 2) to the snowblower housing. Pull the lifting arm (item 4) towards the back and attach the other end of the springs (item 2) to the 1/4" clevis pins (item 1).
5. **Figure 2:** Push the lifting arm (item 4) towards the front.
6. **Figure 2:** Lock the clevis pins (item 1) by inserting one end of each circle cotter (item 3) in the hole of each clevis pin.



ASSEMBLY

7. **Figure 3:** Install the pedal stopper (item 1), the bent portion facing the snowblower and secure in place with two 1/4"NC x 5/8" hex. bolts (item 2) and two 1/4"NC serrated flange nuts (item 3). Tighten firmly.
8. **Figure 3:** Attach the closed end of the tension spring (item 4) to the lifting triangle (item 5). Then, attach the open end of the tension spring (item 4) to the hole in the pedal (item 6).
9. Put the snowblower back in its original position.
10. **Figure 4:** Install a 8mm x 7mm x 25mm key (item 1) on the gearbox shaft (item 7).
11. **Figure 4:** Slide the male driveline (item 2) on the gearbox shaft (item 7). The gearbox shaft (item 7) must be covered by the front part of the male driveline.
12. **Figure 4:** Put thread sealant on the 5/16"NC X 3/8" Allen socket setscrew (item 6) and secure the driveline yoke (item 2).

13. **Figure 4:** Secure the driveline yoke (item 2) to the gearbox shaft (item 7) with a 3/8"NC x 1 3/4" (item 3) hex. bolt, a 3/8" lockwasher (item 5) and a 3/8"NC nylon insert nut (item 4). Tighten firmly.
14. **Figure 4:** Install the two grease fittings (item 8) on both mounting tubes (item 9).



ASSEMBLY

15. **Figure 5:** Place the hand guard (item 2) inside the chute (item 1) and align the holes. Fasten with four 1/4"NC x 1/2" hex bolts (item 3) and four 1/4"NC serrated flange nuts (item 4). Tighten firmly.

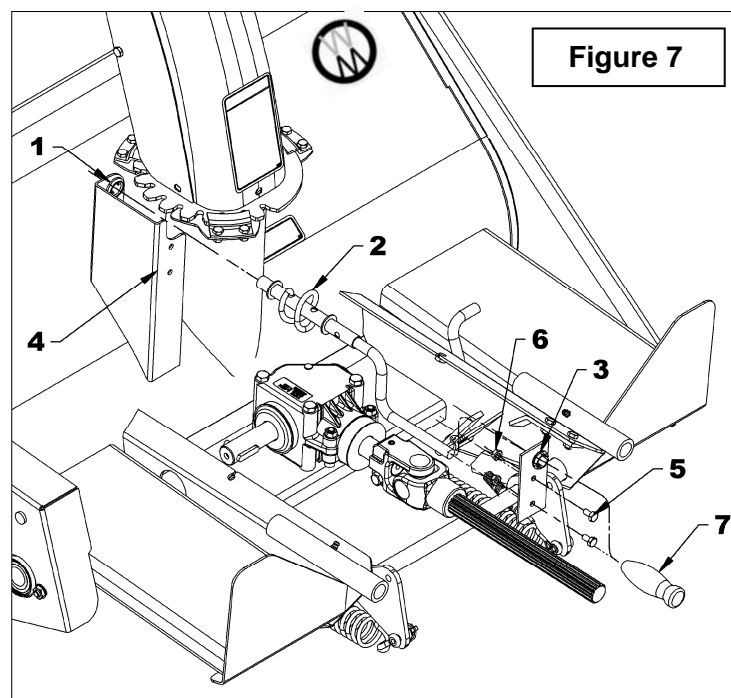
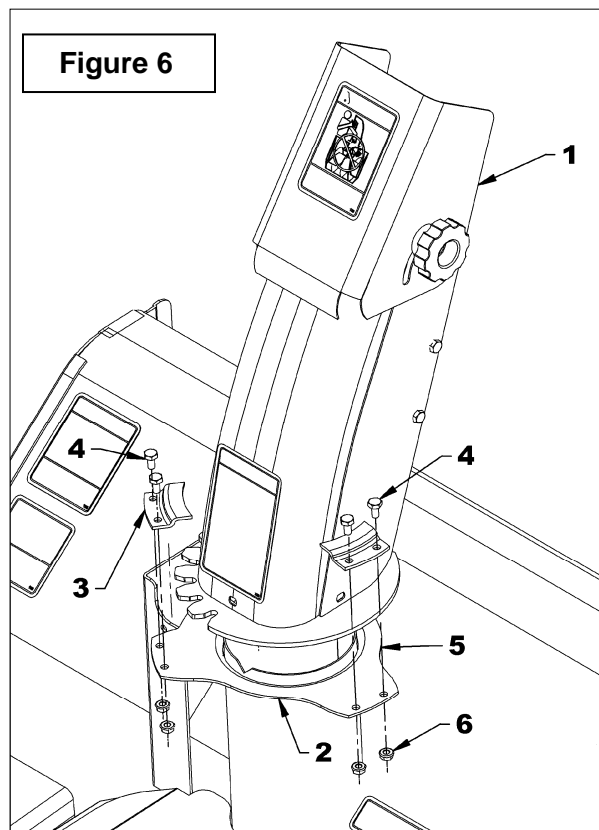
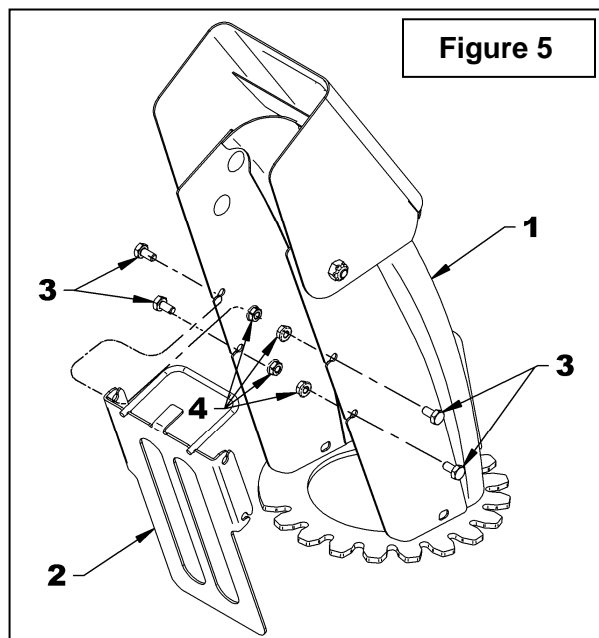
16. **Figure 6:** Place the chute (item 1) on the chute base (item 5).

17. **Figure 6:** Align the holes of the three retaining plates (item 3) with the holes in the chute base.

18. **Figure 6:** Attach the retaining plates with six 1/4"NC x 1/2" hex. bolts (item 4) in the holes shown on the figure and secure with six 1/4"NC serrated flange nuts (item 6).

19. **Figure 7:** Fasten the handle support (item 3) to the welded handle support (item 4) with two 1/4"NC x 1/2" hex. bolts (item 5) and two 1/4"NC serrated flange bolts (item 6). Tighten firmly.

20. **Figure 7:** Install the 1/2" plastic handle (item 7) on the rotation handle (item 2).



ASSEMBLY

Snowblower Installation on the Tractor

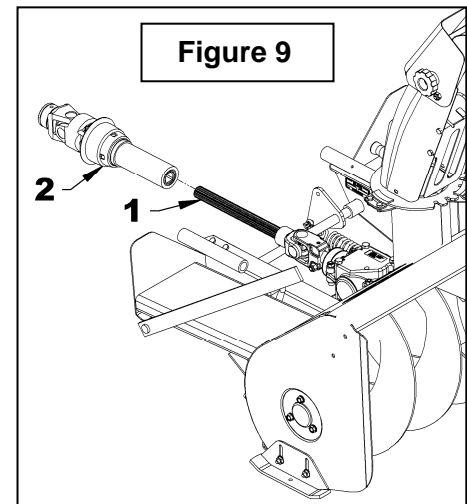
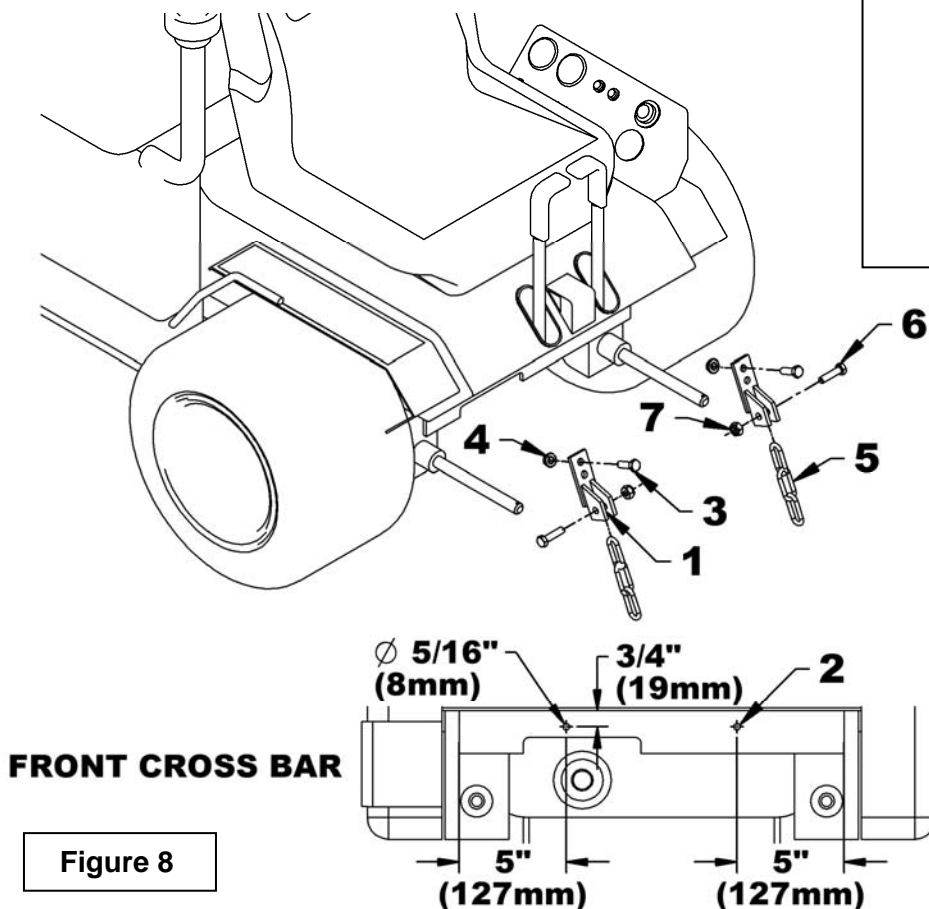
1. Remove the mower deck from the tractor if necessary. Refer to the appropriate Tractor Owner's Manual.
2. **Figure 8:** Attach each lift chain (item 5) to the lift bracket (item 1) with a 5/16" NC x 1 1/4" bolt (item 6) and a 5/16" NC nylon insert locknut (item 7).
3. **Figure 8:** Attach each lift bracket (item 1) to the predrilled holes (item 2) on the front chassis cross bar with a 5/16"NC x 1 1/4" bolt (item 3) and a 5/16"NC serrated flange nut (item 4).

NOTE: There are two different mounting locations on the lift bracket #5628-5. It is recommended to mount the lift brackets (fig.8, item 1) using the top hole as shown in figure. If additional lift height is required, install the lift brackets in the lower mounting holes.

NOTE: Predrilled holes exist only on Walker tractors built after 1984. For earlier models, drill two 5/16" (8mm) holes in the front chassis cross bar at the positions indicated.

IMPORTANT: For all 1980 to 1984 tractors, remove the battery before drilling the right hand hole. Reinstall the battery after the lift brackets have been installed. Refer to the appropriate Tractor Owner's Manual for battery removal and installation procedures.

4. **Figure 9:** Place the male half driveline (item 1) of the snowblower PTO shaft into the socket of the female PTO with quick coupler (item 2) and rotate the PTO shaft until it is aligned correctly with the socket in the female PTO with quick coupler, then slide together.



ASSEMBLAGE

5. **Figure 10:** Lightly grease the tractor support arms (item 1).
6. **Figure 10:** Align the mounting tubes (item 2) with the tractor support arms (item 1) and slide the snowblower assembly onto tractor support arms (item 1).
7. **Figure 10:** Reaching under the tractor, pull the ring back on the PTO quick coupler (item 3), slide the coupler onto the tractor splined shaft, and release the coupler ring.

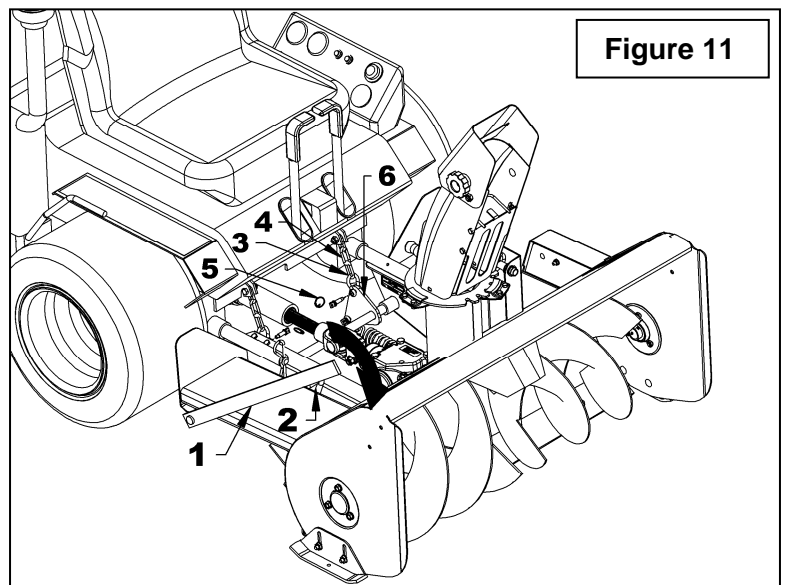
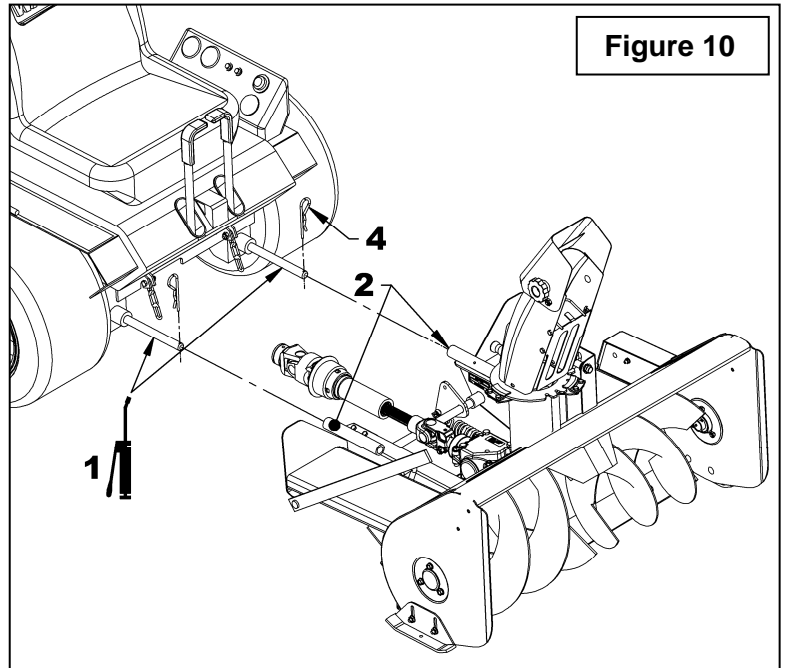
NOTE: Model MS and earlier Model MC do not have the PTO quick coupler. Use sliding joint to connect tractor to snowblower PTO.

IMPORTANT: To prevent damage to the machine, make sure the PTO quick coupler is securely locked on the tractor, with the locking balls fully seated in the groove and the ring full forward position. After installation, pull on the shaft to check for security.

8. **Figure 10:** Insert the hairpins (item 4) in the ends of the tractor support arms (item 1).
9. **Figure 11** Pull the lift handle back (item 1), press the foot trigger (item 2) then push the snowblower lift handle forward against the spring pressure in the forward position.
10. **Figure 11:** Remove the 5/16" pin from each clevis (item 3) and insert the third link of each chain (item 4) on each clevis (item 3) as well as a $\varnothing 1" \times 1/16"$ circle cotter (item 5).
11. **Figure 11:** Attach a clevis to each lifting triangle (item 6) with the 5/16" pin.
12. **Figure 11:** Lock the clevis pins (item 3) by inserting one end of each circle cotter (item 5) in the hole of each clevis pin.

NOTE : Use a bungee cord or strap to secure lift handle in forward position while connecting lift chains to tractor.

CAUTION: DO NOT release the lift handle before releasing the foot trigger or before the snowblower has reached the DOWN position.



ASSEMBLY

13. **Figure 12:** Reinstall the gearbox shield (item 1) and the two serrated flange bolt 5/16"NC x 1/2" (item 2).

Installation of Tire Chains (Optional)

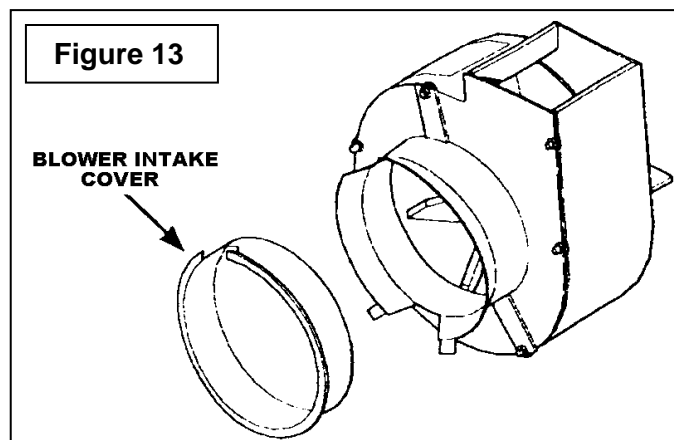
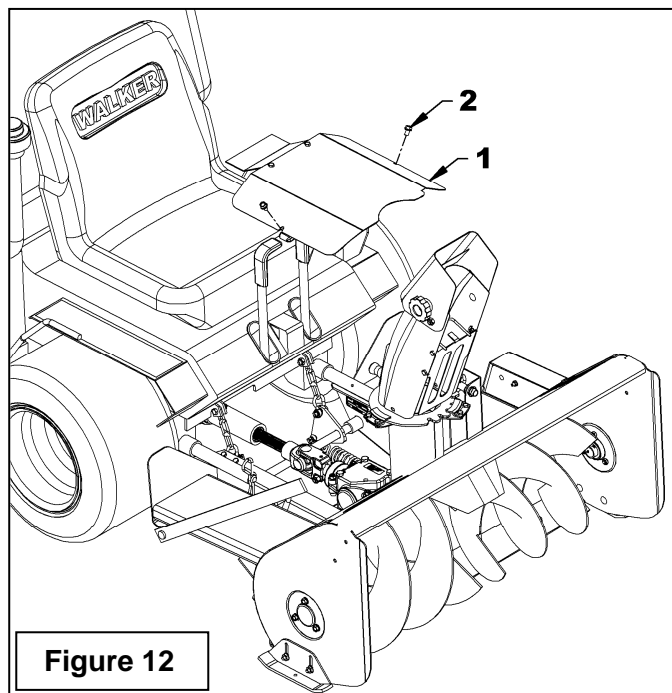
1. Remove the tractor wheels.
2. Attach the 2 tire chains to the wheels.
3. Place the wheel spacer plates on the lug bolts. The wheel spacer plates provide clearance for the chains between the tires and the tractor body.
4. Place the wheels back on the tractor.
5. Reinstall and tighten the lug bolts.

Counterweights

For stability of the tractor when transporting with the snowblower raised position, approximately 80 lbs (36 kg) of counterweight should be installed on the tail of the tractor. Optional tail weights for the various tractor models are available from your Walker dealer.

Tractors with GHS **(Figure 13)**

For GHS (Grass Handling System) equipped Walker tractors; install a blower intake cover in the blower intake tube. The cover «unloads» the blower and seals the intake to effectively eliminate power loss and noise when the blower is being used.



OPERATION



WARNING: Before operating the snowblower, become familiar with the location and function of all operator controls. Knowing the location, function, and operation of these controls is important for safe and efficient operation of the snowblower.

Tractor Controls

Refer to the appropriate Tractor Owner's Manual for complete information about tractor operating controls.

Lift Handle

The lift handle is located to the right of the operator at the back of the snowblower right footrest. The lift handle is used to raise and lower the snowblower. Moving the handle forward lowers the snowblower; moving it backward raises the snowblower.

Foot Trigger

The foot trigger is located on the right footrest. The foot trigger and lift handle are used together to lower the snowblower. Pull the lift handle back, press the foot trigger, and hold on to the lift handle while letting it move forward to lower the snowblower.

IMPORTANT: To avoid the snowblower dropping down with force, DO NOT release the lift handle while depressing the foot trigger or before the snowblower has reached the ground.

Rotation Handle

The crank is located to the left of the operator at the back of the snowblower. Turn the crank clockwise and the chute will turn counter clockwise.

Deflector Positions

The knob is located to the right of the operator at the right side of the chute of the snowblower. Loosen the knob and adjust the deflector at the desired position, then tighten the knob securely.

Sliding the deflector higher throws snow higher and farther. Sliding the deflector down throws snow lower, and closer.



CAUTION: ALWAYS disengage the PTO clutch and put the Forward Speed Control (FSC) in the NEUTRAL-PARK position before starting the engine.

NOTE: For cold weather operation, follow the proper operating procedures in the appropriate Tractor Owner's Manual. Allow sufficient time for the tractor engine to warm up before engaging the snowblower.

Engaging The Snowblower



CAUTION: Before operating the snowblower, read and understand all *Safety Instructions* and *Operating Instruction*.

1. Set the engine throttle at about 1/3 speed. DO NOT attempt to engage the PTO clutch at high engine speed. This will drastically shorten drive belt life. Use only moderate engine speed when engaging the PTO clutch.
2. Pull the PTO clutch lever SLOWLY engage the snowblower.

NOTE: For cold weather operation, allow sufficient time for the snowblower component (i.e., gearbox grease) to warm up before beginning to blow snow.



CAUTION: A safety interlock switch (seat switch) will cause the engine to stop if the PTO clutch is engaged and the tractor operator is not on the seat. The function of this switch should be checked by the operator raising off the seat and engaging the PTO clutch; the engine should stop. If the switch is not working, it should be repaired or replaced before operating the snowblower. DO NOT disconnect the safety switches; they are for the operator's protection.

IMPORTANT: DO NOT engage the PTO clutch when transporting the machine. DO NOT engage the PTO clutch with the PTO shaft disconnected (the snowblower removed from the tractor).

OPERATION



CAUTION: If the auger strikes a solid object or the machine begins to vibrate abnormally, immediately disengage the PTO clutch, stop the engine and wait for all moving parts to stop. Disconnect the fuel solenoid wire (diesel engines) or the park plug wire(s) (gasoline engines) to prevent accidental starting. Thoroughly inspect the snowblower and repair any damage before restarting the engine and operating the machine. Make sure auger blades are in good condition and all bolts are tight.

Stopping The Snowblower

1. Slow the engine to idle; put the throttle in the IDLE position.
2. Pull the steering lever to the NEUTRAL position and move the Forward Speed Control (FSC) lever backward to the NEUTRAL-PARK position.
3. Disengage the PTO clutch.

IMPORTANT: DO NOT disengage the PTO clutch with high engine speed (above 1/2" (13mm) throttle) since the brake action of the PTO drive will cause premature wear of the brake band.



WARNING: A brake stops the auger from freewheeling within five seconds after disengaging the PTO clutch. If the brake system malfunctions and the auger does not stop within five seconds, the brake should be adjusted or repaired before operating the snowblower. Refer to the appropriate Tractor Owner's Manual for adjustment procedures.

4. Turn the ignition switch OFF
5. Engage the parking brake.



WARNING: Remove the key from the ignition switch when leaving the machine unattended. This will prevent children and inexperienced operators from starting the engine.

IMPORTANT: The hydrostatic transmissions lock prevents the machine from rolling freely with the engine stopped. However, if the machine is parked on a slope, it is necessary to ENGAGE the parking BRAKE to prevent the machine creeping. This is due to a small amount of slippage in the hydrostatic transmission, especially when the transmission fluid is warm.

Recommendation For Snowblowing

IMPORTANT: Operate the engine at full speed when snowblowing, to allow the engine to produce full horse power and increase efficiency of the engine cooling system.

1. When blowing through deep snowdrifts, let the snowblower work its way through the drifts. For best results, raise the snowblower skid shoes and remove a top layer of snow, then lower the skid shoes and pass through the area a second time to remove the remaining snow.
2. When snowblowing, operate the engine at or near FULL THROTTLE for the best snowblowing action. The engine is designed to operate at full speed.
3. Use optional tire chains or optional all-terrain tires to improve traction.
4. Disengage the PTO clutch to stop the snowblower when driving the machine but not blowing snow.
5. Avoid damage to property and extra snowblowing work by carefully choosing the direction to move the snow. Orient the chute away from people and property due to possibility of thrown objects.
6. To momentarily increase traction in case the drive wheels are slipping, use the lift handle to raise the snowblower slightly and transfer extra weight on the drive wheels.

OPERATION

ADJUSTMENTS

⚠ ATTENTION : To avoid personal injury, be sure the tractor engine is off, the drive shaft disengaged, and all movement has stopped before making any adjustments.

Deflector Adjustment

Set the angle of deflection according to the distance the snow must be thrown. To set the deflector angle:

- Loosen the deflector knob located on the side of the deflector; adjust the deflector to the appropriate angle.
- Retighten the knobs.

Skid Shoe Adjustment (Figure 14)

Adjust the snowblower so that the skid shoes run level and according to the surface conditions so that stones are not thrown with the snow. Adjust both skid shoes to the same height to keep the cutting edge level and adjust upwards for smooth surfaces.

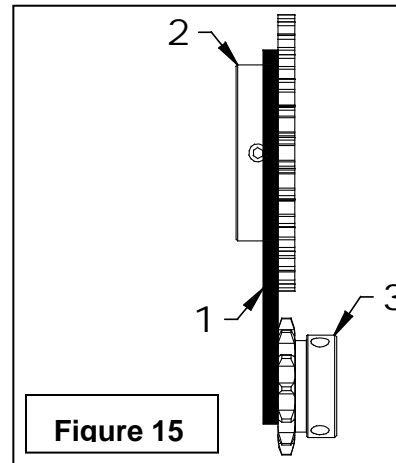
Loosen skid shoe bolts and adjust according to instructions below, and securely tighten bolts:

Clearance between cutting edge and surface:

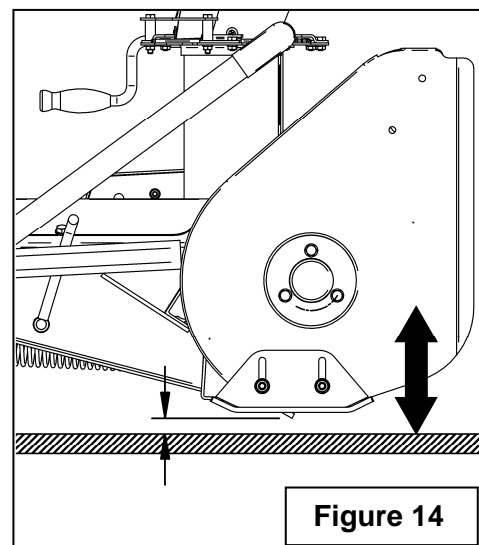
- *Level paved surface* : Adjust to 1/16" to 1/8" (1.5 mm to 3 mm)
- *Uneven or gravel surface*: Adjust to 1/2" to 5/8" (13 mm to 16 mm)

Sprocket Alignment (Figure 15)

To check the alignment of the two sprockets lean a ruler or straight bar (item 1) against the sprocket (item 3). Unscrew the 5/16"NC setscrews of the sprocket (item 2) and lean it against the ruler or straight bar (item 1).



⚠ WARNING: If the sprockets alignment is not done carefully the chain may be broken or released from the two gears and can cause important damages to the snowblower and serious personal injury.



OPERATION

SNOW REMOVAL METHODS

When removing snow, do not use the snowblower as a dozer blade to push snow. Let the snowblower work its way through deep drifts. If the speed of your tractor is too fast, the snowblower may become overloaded and clog. For best results, raise the snowblower and remove a top layer of snow. A second pass with the snowblower will remove the remaining snow.

IMPORTANT: Use full engine RPM power when removing wet, sticky snow. Low engine RPM power will tend to clog the chute.

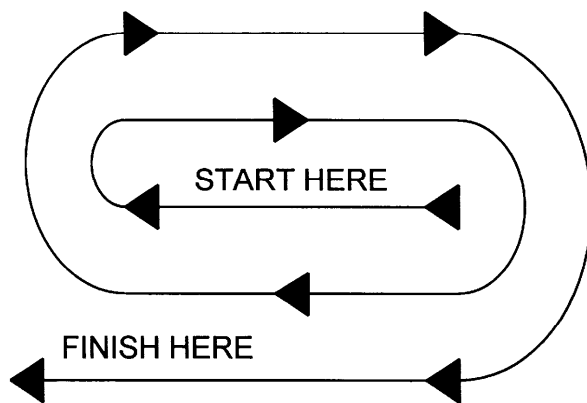


To avoid serious personal injury: Do not use hands or feet to unclog chute. Do not attempt to clear clogged chute of snow while tractor engine is running. If the chute clogs, disengage the PTO shaft, shut off the engine, set the parking brake, lower snowblower to the ground, place transmission in neutral, remove the ignition key, wait for all movement to stop, and then clear the snow from the chute.

A definite pattern of operation is required to thoroughly clean the snow area. These patterns will avoid throwing snow in unwanted places as well as eliminating a second removal of snow

PATTERN 1

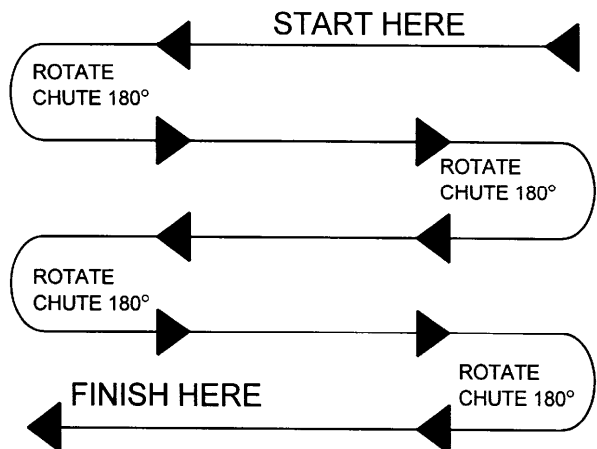
DISCHARGE SNOW BOTH SIDES



Where it is possible to throw the snow to the left and right (above), as on a long driveway, it is advantageous to start in the middle. Plow from one end to the other, throwing snow to both sides without changing the direction of the discharge guide.

PATTERN 2

DISCHARGE SNOW ONE SIDE ONLY

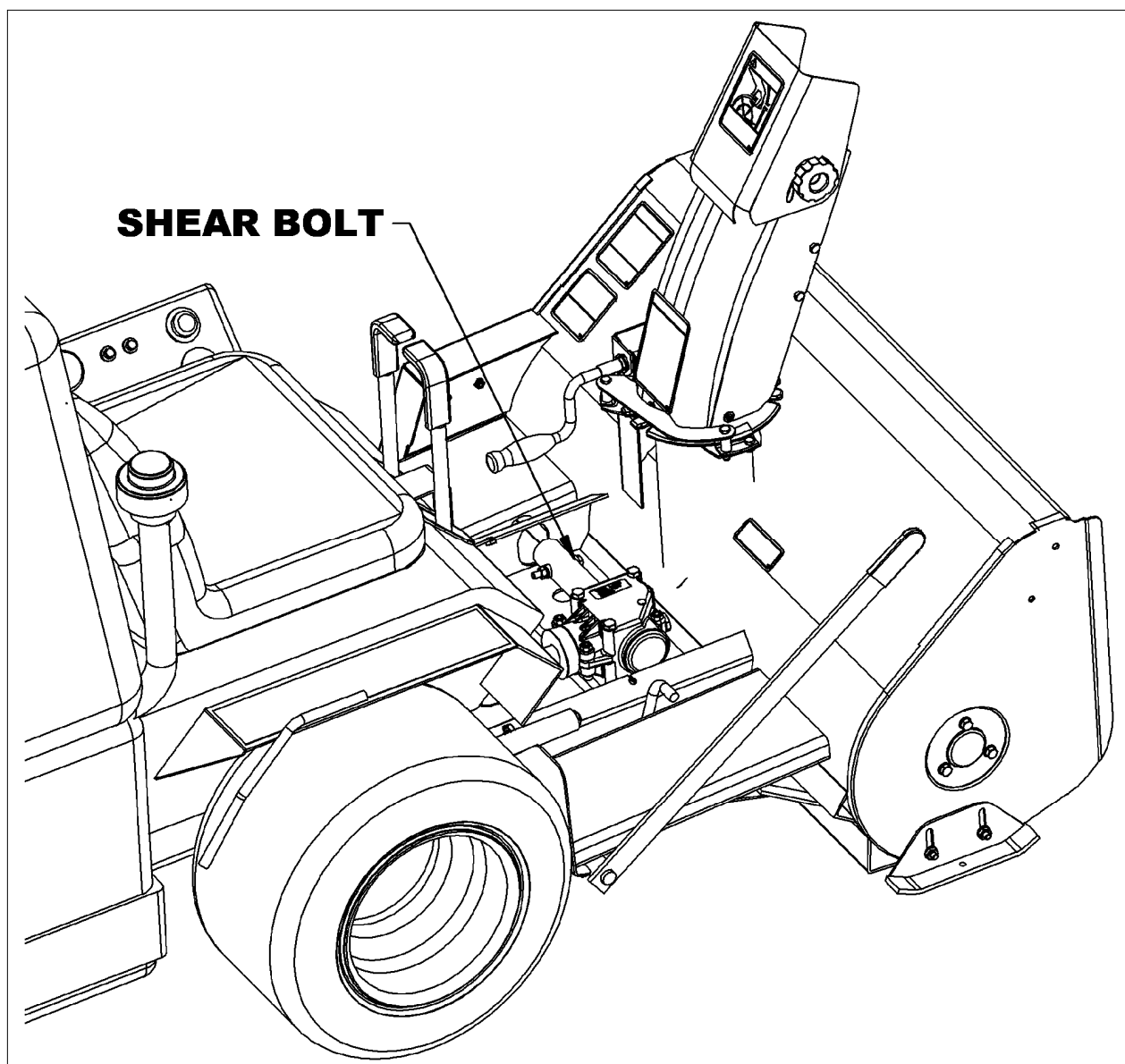


If the snow can only be thrown to one side of the driveway or sidewalk (above), start on the opposite side. At the end of the first pass, rotate the discharge guide 180 degrees for the return pass. At the end of each succeeding pass, rotate the discharge guide 180 degrees to maintain direction of throw in the same area.

MAINTENANCE

Shearbolt Replacement

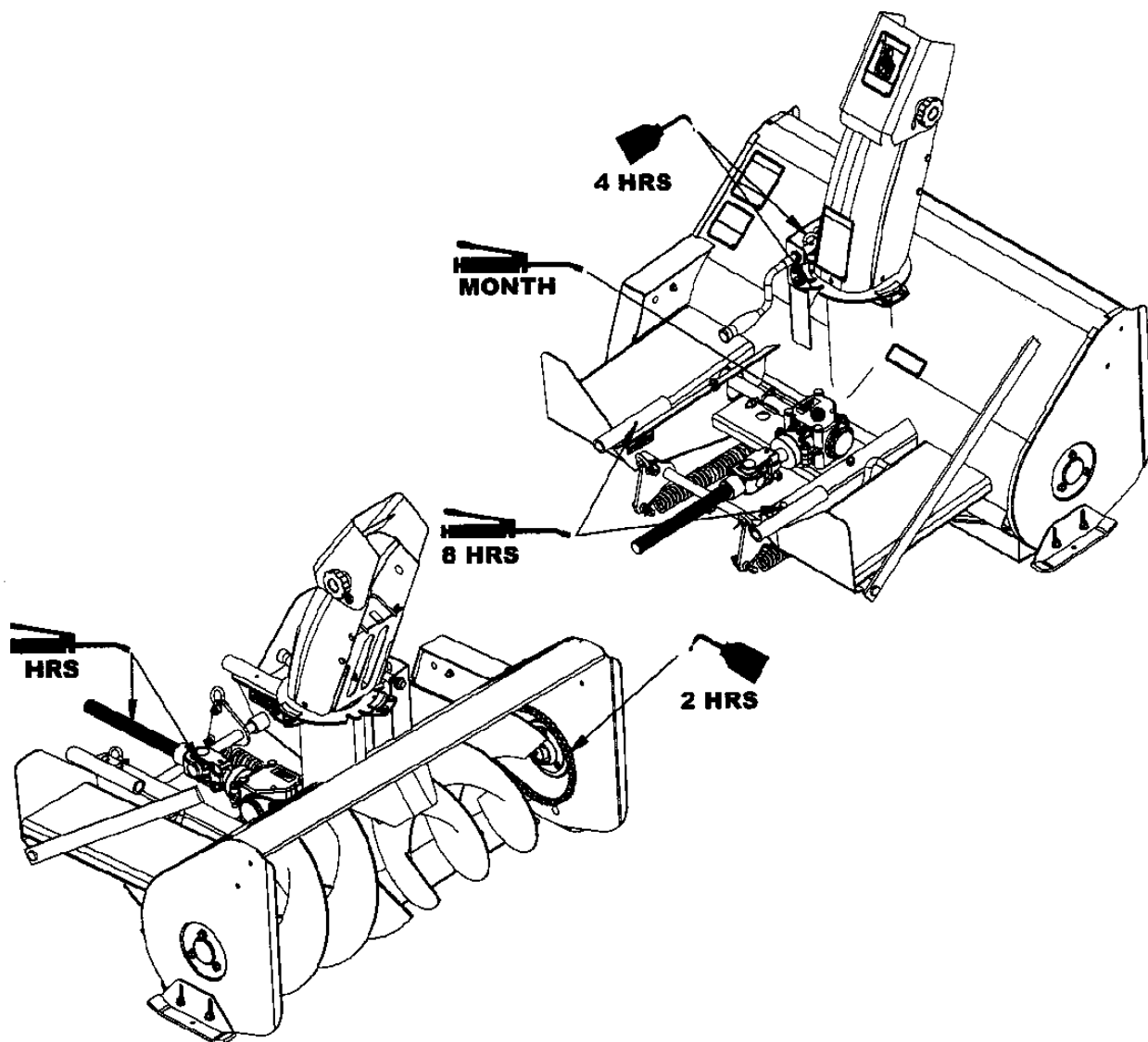
1. To replace the shearbolt, take off the gearbox shield by removing the two 5/16"NC x 1/2" flange bolts. The hole in the plate helps remove the shearbolt if fragments remain in the hole.
2. Replace the 5/16"NC x 2 1/4" shearbolt a genuine replacement bolt and a 5/16" lockwasher and a 5/16" nut. Replace the gearbox shield with the two 5/16"NC x 1/2" flange bolts.



MAINTENANCE

Lubrication

DESCRIPTION	INTERVAL	LUBRICATION REQUIRED
Driveline	8 hours	Grease each universal joint
	24 hours	Separate the sliding parts and cover each part with grease
Driving chain	2 hours and after each operation	Lubricate with chain saw lubricant
Gearbox	every month	Check grease level. If needed, add Unirex Ep2 Grease
Lift Handle Mounting Tubes	8 hours	Grease fitting
Rotation Worm	4 hours	Lubricate with chain saw lubricant



PARTS

INTRODUCTION

All parts are illustrated in "exploded views" which show the individual parts in their normal relationship to each other. Reference numbers are used in the illustrations. These numbers correspond to those in the "Reference Number" (REF) column, and are followed by the description and quantity required.

O/L - "Obtain Locally" in the part number column indicates common hardware that is available at your local hardware supply.

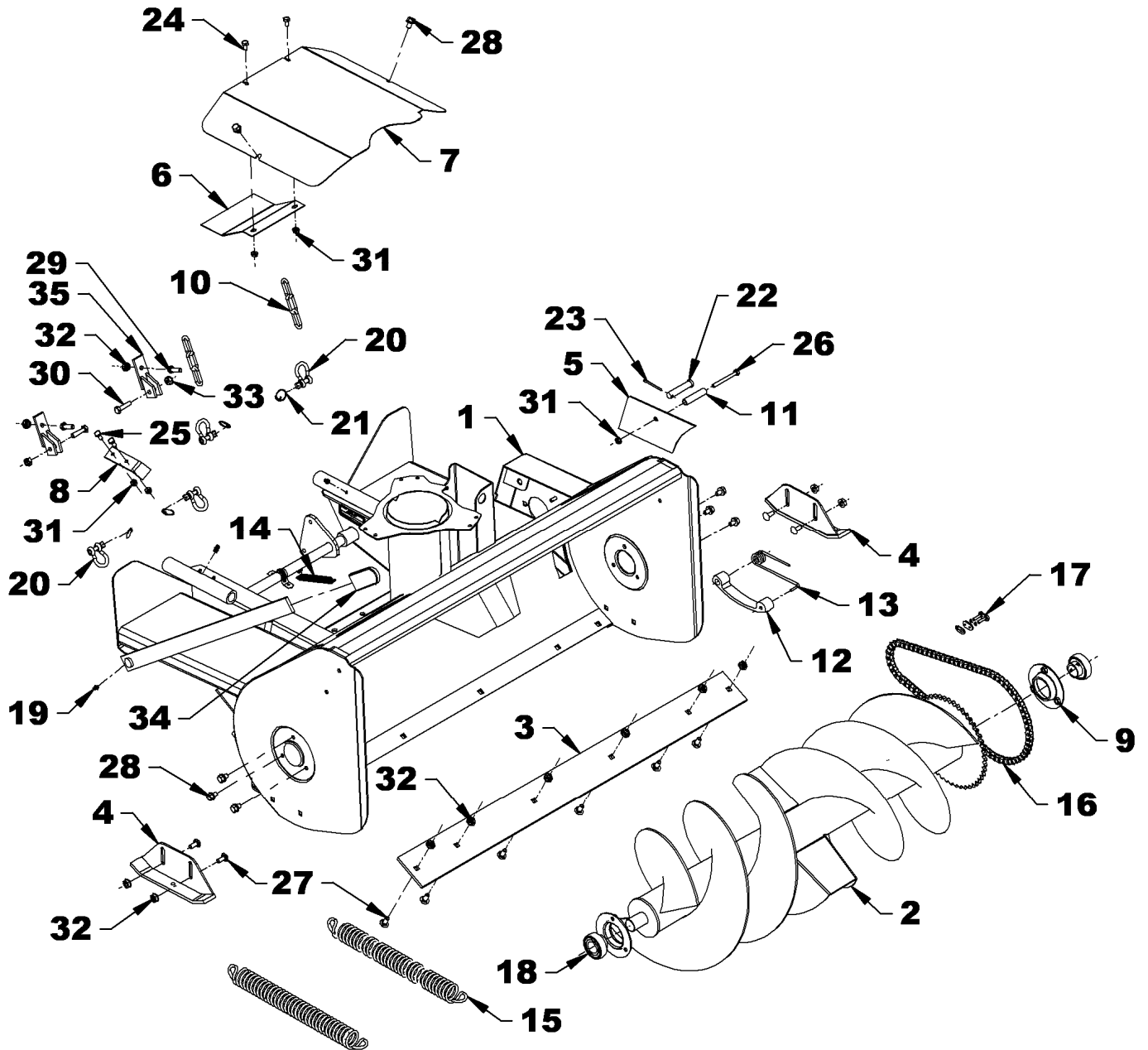
All reference to right and left, forward or rearward, are from the operator seat, looking at the machine while operating.

Orders must give the complete description, correct part number, the total amount required, the serial number, the method of shipment and the shipping address.

The manufacturer reserves the rights to change, modify, or eliminate from time to time, for technical or other reasons, certain or all data, specifications, or the product or products themselves, without any liability or obligation.

PARTS

SNOWBLOWER ASSEMBLY



PARTS

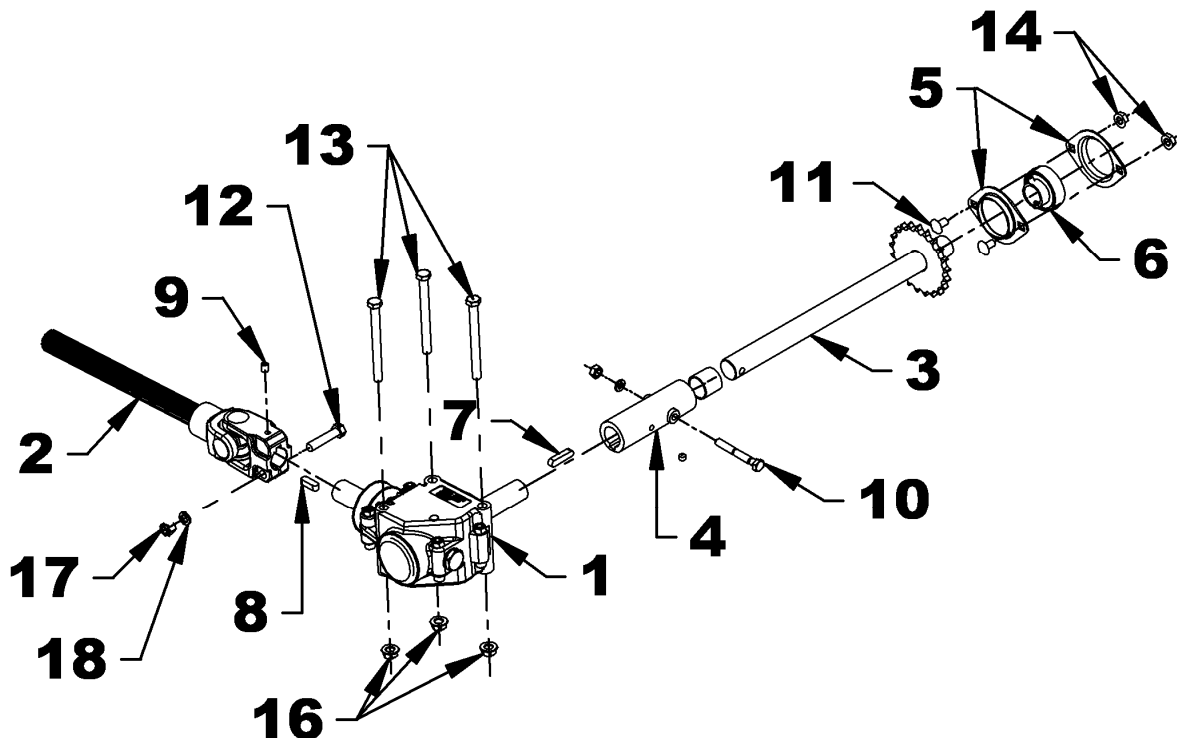
SNOWBLOWER ASSEMBLY

REF.	DESCRIPTION	QTY.	PART #
1	Snowblower housing and foot rest	1	667619
2	1 stage auger	1	667620
3	Cutting edge	1	667643
4	Skid shoes	2	667626
5	Chain guard	1	667629
6	Driveline shield	1	667630
7	Gearbox shield	1	667631
8	Pedal stopper	1	667632
9	Bearing flange 3 holes with nut	2	665743
10	Chain 3/16"	2	667652
11	Spacer ring	1	667666
12	Chain tensioner automatic	1	665960
13	Torsion spring	1	2200012
14	Tension spring 1/2" x 3 9/16"	1	659578
15	Tension spring 1 1/2" x 9"	2	657363
16	Chain #40 74 links (with connecting link)	1	3300018
17	Connecting link #40	1	659721
18	1" Bearing with allen socket set screw	2	665494
19	Grease fitting 1/4" NF	5	654106
20	Clevis 1/4" body, 5/16" pin	4	A-10368
21	Circle cutter \varnothing 1" X 1/16"	4	1900009
22	Pin \varnothing 1/2" x 2 1/4" PTD	1	4600036
23	Cotter pin \varnothing 1/8" X 1 1/2"	1	1500018
24	Hex. bolt \varnothing 1/4"NC X 1/2" GR.5 ,PTD	2	0100001
25	Hex. bolt \varnothing 1/4" NC X 5/8" Gr.5 PTD	2	0100002
26	Hex. bolt \varnothing 1/4" X 2 3/4" NC GR.5 PTD	1	0100013
27	Carriage bolt 5/16" NC X 3/4" PTD	10	0300002
28	Serrated flange bolt 5/16"NC X 1/2" PTD	8	0200065
29	Hex. bolt 5/16" NC X 1 1/4" LG. GR.5, PTD	2	0100020
30	Hex. bolt 5/16" NC X 1 1/4" LG. GR.5, PTD	2	0100020
31	Serrated flange nut 1/4" NC. PTD	5	0900058
32	Serrated flange nut 5/16" NC, PTD	12	0900036
33	Nylon insert locknut 5/16" NC, GR.5, PTD	2	1000005
34	Flat rectangular grip 1 1/4" X 1/4"	1	663997
35	Lift bracket #5628-5	2	4200018

PARTS

DRIVE SYSTEM

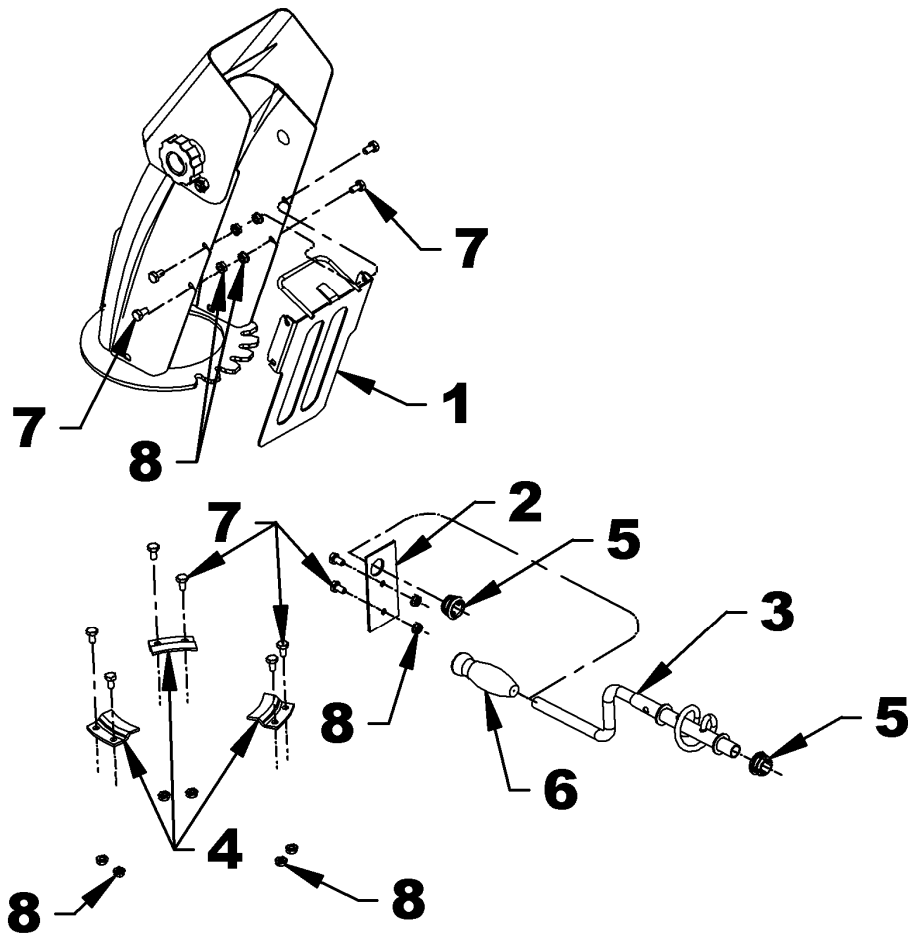
REF.	DESCRIPTION	QTY.	PART #
1	Gear box	1	4500056
-	Oil seal	2	662630
-	Bearing	4	4300058
-	Plug 3/8"	1	661739
	O-ring	1	664656
2	Male driveline Série 06	1	4700102
3	Drive shaft	1	667624
4	Shear bushing	1	667625
5	Bearing flange 2 holes - $\phi 1"$	2	654787
6	1" bearing with allen socket set screws	1	665494
7	Key 8mm X 7mm X 35mm	1	660062
8	Key 8mm X 7mm X 25mm	1	660063
9	Allen socket set screw Gr.5 black, 5/16"NC X 3/8"	1	0500010
10	Shear bolt $\phi 5/16"$ NC X 2 1/2" (.215) (with lockwasher and nut)	1	667342
11	Carriage bolt 5/16" NC X 5/8" PTD	2	0300001
12	Hex. bolt 3/8" NC X 1 3/4" PTD	1	0100041
13	Hex. bolt $\phi 3/8"$ NC X 4"	3	0100049
14	Serrated flange nut 5/16" NC, PTD	2	0900036
15	Allen socket set screw Gr.5 black, 5/16"NC X 1/4"	1	0500008
16	Serrated flange nut 3/8" NC PTD	3	0900035
17	Nylon insert locknut $\phi 3/8$ NC PTD	1	1000006
18	Lockwasher 3/8", PTD	1	1200004



PARTS

ROTATION SYSTEM

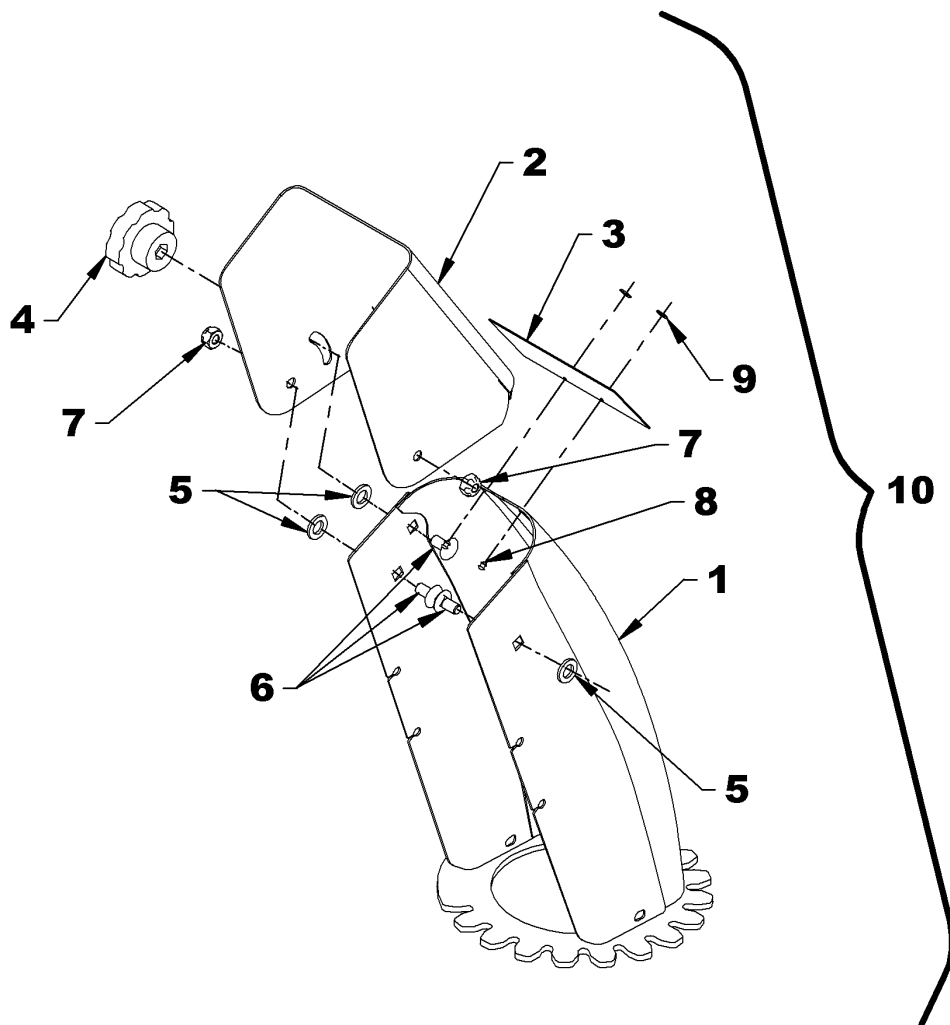
REF.	DESCRIPTION	QTY.	PART #
1	Hand guard	1	668121
2	Handle support	1	667628
3	Handle	1	667627
4	Retaining plate	3	657333
5	Grommet ϕ .680 of hole	2	665959
6	Plastic handle ϕ 1/2" X 3" LG.	1	656797
7	Hex. bolt ϕ 1/4"NC X 1/2" GR.5 ,PTD	12	0100001
8	Serrated flange nut 1/4" NC. PTD	12	0900058



PARTS

CHUTE ASSEMBLY

REF.	DESCRIPTION	QTY.	PART #
1	Chute	1	668119
2	Deflector	1	665738
3	Polyethylene deflector	1	667623
4	Knob 5/16"NC	1	657309
5	Nylon flat washer $\varnothing 7/16"$	3	658468
6	Carriage bolt 5/16"NC x 5/8" PTD	3	0300001
7	Nylon insert locknut 5/16"NC PTD	2	1000005
8	Steel pop rivet (nail 1/16", 1/8" GRIP)	2	1700009
9	Steel flat washer for pop rivet 1/8"	2	1700008
10	Chute Ass'y	1	668120






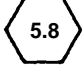


TORQUE SPECIFICATION TABLE

GENERAL SPECIFICATION TABLE

USE THE FOLLOWING TORQUES WHEN SPECIAL TORQUES ARE NOT GIVEN

Note: These values apply fasteners as received from supplier dry, or when lubricated with normal engine oil. They do not apply if special graphited or moly sulphide greases or other extreme pressure lubricants are used. These values apply to dry conditions; under lubricated conditions reduce by 25% the torques in this table.

BOLT HEAD IDENTIFICATION

INCHES Bolt Size	 Grade 2		 Grade 5		 Grade 8		METRIC Bolt Size	 Class 5.8		 Class 8.8		 Class 10.9	
	in-tpi ¹	N-m ²	lbs-ft ³	N-m	lbs-ft	N-m		lbs-ft	mm x pitch ⁴	N-m	lbs-ft	N-m	lbs-ft
1/4" - 20NC	7.4	5.6	11	8	16	12	M 5 X 0.8	4	3	6	5	9	7
1/4" - 28NF	8.5	6	13	10	18	14	M 6 X 1	7	5	11	8	15	11
5/16" - 18NC	15	11	24	17	33	25	M 8 X 1.25	17	12	26	19	36	27
5/16" - 24NF	17	13	26	19	37	27	M 8 X 1	18	13	28	21	39	29
3/8" - 16NC	27	20	42	31	59	44	M10 X 1.5	33	24	52	39	72	53
3/8" - 24NF	31	22	47	35	67	49	M10 X 0.75	39	29	61	45	85	62
7/16" - 14NC	43	32	67	49	95	70	M12 X 1.75	58	42	91	67	125	93
7/16" - 20NF	49	36	75	55	105	78	M12 X 1.5	60	44	95	70	130	97
1/2" - 13NC	66	49	105	76	145	105	M12 X 1	90	66	105	77	145	105
1/2" - 20NF	75	55	115	85	165	120	M14 X 2	92	68	145	105	200	150
9/16" - 12NC	95	70	150	110	210	155	M14 X 1.5	99	73	155	115	215	160
9/16" - 18NF	105	79	165	120	235	170	M16 X 2	145	105	225	165	315	230
5/8" - 11NC	130	97	205	150	285	210	M16 X 1.5	155	115	240	180	335	245
5/8" - 18NF	150	110	230	170	325	240	M18 X 2.5	195	145	310	230	405	300
3/4" - 10NC	235	170	360	265	510	375	M18 X 1.5	220	165	350	260	485	355
3/4" - 16NF	260	190	405	295	570	420	M20 X 2.5	280	205	440	325	610	450
7/8" - 9NC	225	165	585	430	820	605	M20 X 1.5	310	230	650	480	900	665
7/8" - 14NF	250	185	640	475	905	670	M24 X 3	480	355	760	560	1050	780
1" - 8NC	340	250	875	645	1230	910	M24 X 2	525	390	830	610	1150	845
1" - 12NF	370	275	955	705	1350	995	M30 X 3.5	960	705	1510	1120	2100	1550
1 1/8" - 7NC	480	355	1080	795	1750	1290	M30 X 2	1060	785	1680	1240	2320	1710
1 1/8" - 12NF	540	395	1210	890	1960	1440	M36 X 3.5	1730	1270	2650	1950	3660	2700
1 1/4" - 7NC	680	500	1520	1120	2460	1820	M36 X 2	1880	1380	2960	2190	4100	3220
1 1/4" - 12NF	750	555	1680	1240	2730	2010							
1 3/8" - 6NC	890	655	1990	1470	3230	2380							
1 3/8" - 12NF	1010	745	2270	1670	3680	2710							
1 1/2" - 6NC	1180	870	2640	1950	4290	3160							
1 1/2" - 12NF	1330	980	2970	2190	4820	3560							

¹ in-tpi = nominal thread diameter in inches-threads per inch
² N-m = newton-meters
³ lbs-ft= pounds-foot
⁴ mm x pitch = nominal thread diameter in millimeters x thread Pitch

*Torque tolerance +0%, -15% of torquing values. Unless otherwise specified use torque values listed above



WALKER

WALKER MFG. CO. 5925 HARMONY ROAD, FORT COLLINS, CO. 80528 - (970)221-5614
FORM NO. 062916 PRINTED IN USA