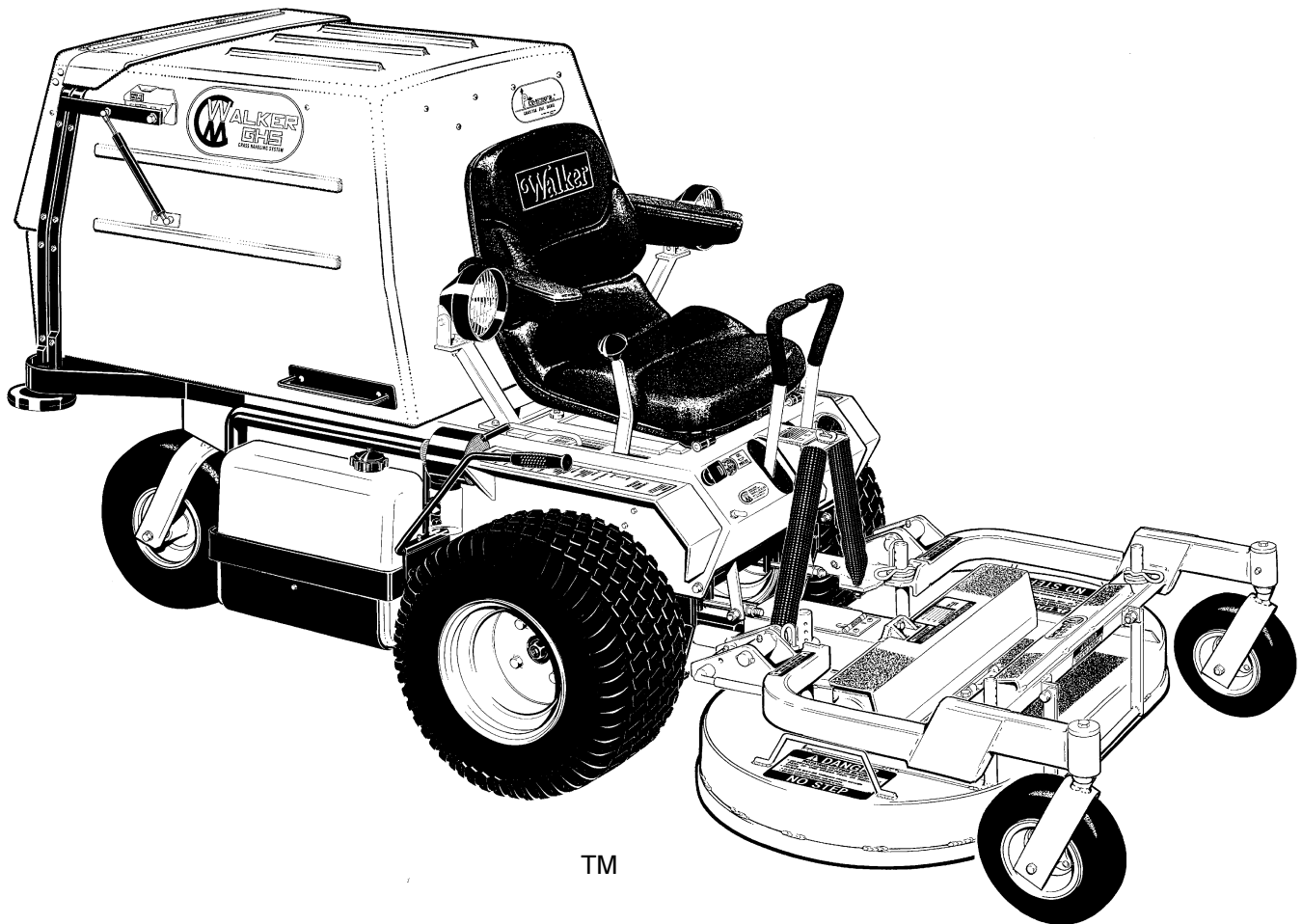


Walker Rider Lawnmowers

ILLUSTRATED PARTS MANUAL

Model MC Twin (16 HP)
(For Tractors with Kohler OHC-16 V-Twin Engine)



TM

CE

Effective Date:
11-05-97

P/N 6000-5
Price \$5.00

KEY TO ABBREVIATIONS USED IN THIS MANUAL

<i>Abbreviation</i>	<i>What it Represents</i>
AT	All-Terrain
CCW	Counter-clockwise
Conn.	Connector
CW	Clockwise
DGHS	Deck, Grass Handling System (number refers to size in inches)
DML	Deck, Mulching (number refers to size in inches)
DSD	Deck, Side Discharge (number refers to size in inches)
ESNA (Fastener)	Nylon Insert Locknut
FSC	Forward Speed Control
GA	Gauge
gal.	gallon
GHS	Grass Handling System
GR (Fastener)	Grade
ID	Inside Diameter
" or in. (Dimension)	inches
LH	Left Hand (orientated with operator on seat)
mm (Dimension)	millimeters
MS (Fastener)	Machine Screw
NPT	National Pipe Thread
NS (as part number)	Item is not sold by Walker Manufacturing
OD	Outside Diameter
oz.	ounce
PFHMS (Fastener)	Phillips Flat Head Machine Screw
P/N	Part Number
PPHMS (Fastener)	Phillips Pan Head Machine Screw
PPHSM (Fastener)	Phillips Pan Head Sheet Metal (Screw)
PPHST (Fastener)	Phillips Pan Head Self-Tapping (Screw)
PTHMS (Fastener)	Phillips Truss Head Machine Screw
PTO	Power Take-Off
QKS	Quick Slide
qt.	quart
RH	Right Hand (orientated with operator on seat)
SAE (Fastener)	Society of Automotive Engineers
SBH (Fastener)	Socket Button Head (Bolt)
SD	Side Discharge
SFH (Fastener)	Slotted Flat Head
SHC (Fastener)	Socket Head Cap
SHL (Fastener)	Shoulder (Bolt)
S/N	Serial Number
Spg.	Spring
SQH (Fastener)	Square Head
SS (Fastener)	Stainless Steel
Term.	Terminal

ILLUSTRATED PARTS LIST

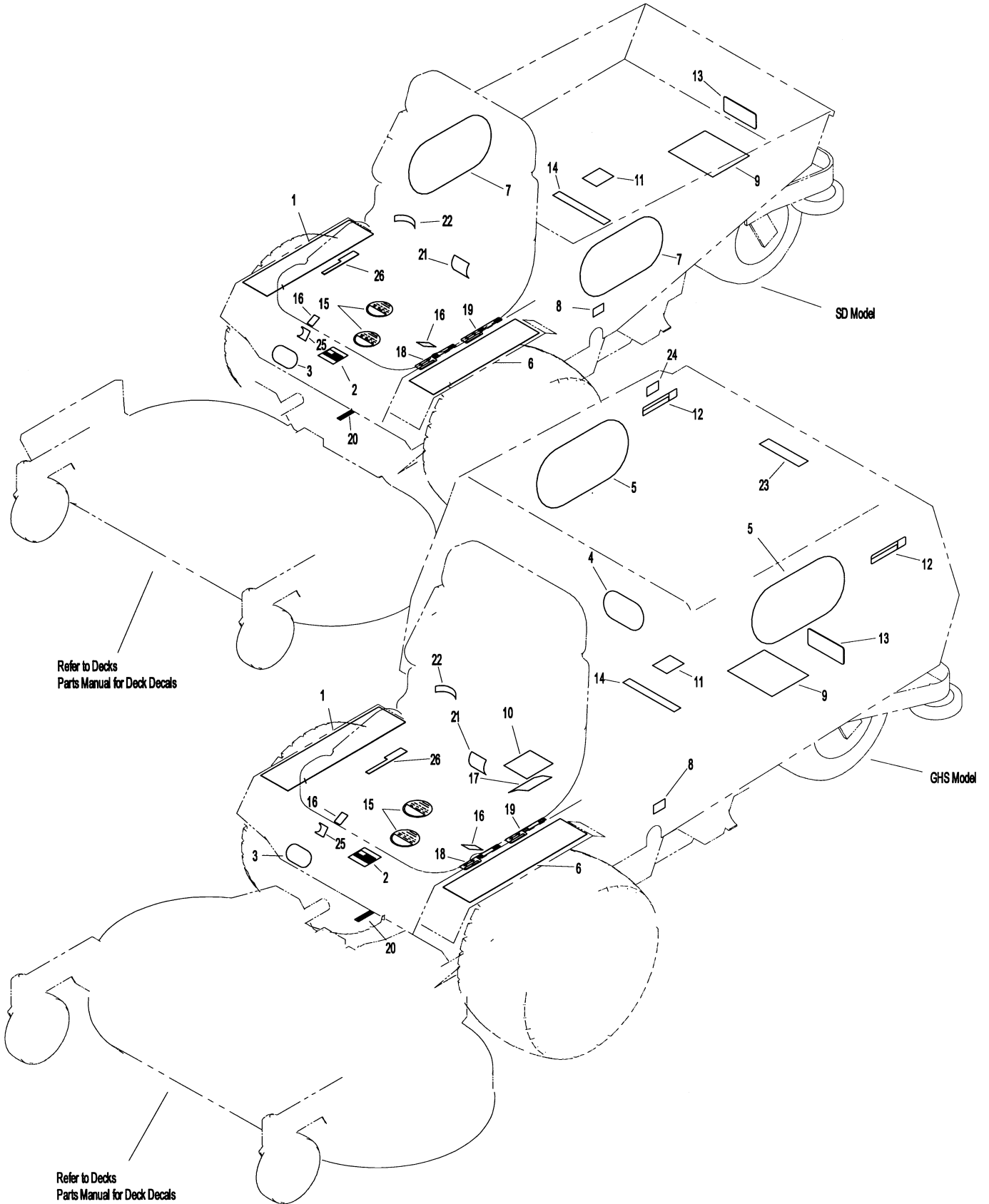
<i>Section of Mower Covered</i>	<i>Page</i>	<i>Section of Mower Covered</i>	<i>Page</i>
Decals		GHS 6.7 Bushel Catcher &	
Tractor Decals.....	2	Exhaust Deflector Assemblies	26
Body / Chassis Assemblies		Electrical Assembly	28
Body / Chassis Assembly (GHS Models).....	4	Electrical Connectors	30
Body Assembly (SD Models)	6*	Special Options	
Tractor Components		5989 Light Kit	32
Main Component Power Transmission		5885 Armrest Kit & Walker Touch-Up Paint	34
(GHS Models).....	8	8072 All-Terrain Tire Kits & Tire Chain Sets.....	36
(SD Models).....	10	Maintenance	
Engine Group.....	12	Lubrication Points.....	38
Hydrostatic Ground Drive Assemblies	14	Wiring Schematic	40
Steering Control Assemblies.....	16	Warranty	
Throttle & Choke Control Assemblies	18	Limited Warranty	41
Parking Brake Assembly	20	* Refer to GHS Body Assembly (Page 4) for all common parts used on both models.	
GHS Group	22		
GHS Powerfil® Assembly.....	24		

TRACTOR DECALS

ITEM NO.	PART NO.	DESCRIPTION	LOCATION	NO. REQ'D. GHS	NO. REQ'D SD
Walker Product and Operation Decals					
1	7802	RH Fender	Body, RH near Seat	1	1
2	5856	Made in USA	Body, Spring Bracket	1	1
3	5803	Walker Manufacturing Logo	Body	1	1
4	5813-1	Powerfil®	6.7 Bushel Catcher, Front	1	0
5	5801	GHS	6.7 Bushel Catcher (one on each side)	2	0
6	5802-2	LH Fender	Body, LH near Seat	1	1
7	5800	Walker Mower (4 x 7-1/2)	Utility Bed (one on each side)	0	2
Danger Decals Warning Decals Caution Decals					
8	5805	Caution, Engine Exhaust	Body, LH Side	1	1
9	5861	Danger, Raised Body	Body - Underside, Center	1	1
10	5804	Danger, Rotating Blower Blades	Body near Body Chute	1	0
11	6810	Danger, Engine Exhaust	Engine	1	1
12	5868	Danger, Pinch Point	6.7 Bushel Catcher Mounting Frame Assembly (one on each side)	2	0
Maintenance Decals					
13	5815	Body Lift	Rear Bumper	1	1
14	5855	Important, Engine Cooling	Engine	1	1
15	5810	Reservoir	Hydrostatic Drives (one on each)	2	2
16	5810-1	Axle Oil Level	Gear Axle Drive Assemblies (one on each)	2	2
17	5819	Blower Maintenance	Blower Housing	1	0
18	7819	Throttle	Body, LH Side	1	1
19	8819	Choke	Body, LH Side	1	1
20	6875	PTO Alignment Arrow	Universal Joint Tube Assembly	1	1
21	7827	Oil Level	Jackshaft Support	1	1
22	6811	Pre-Cleaner Jar	Glass Collection Jar, Pre-Cleaner	1	1
23	5869	Removable Screen	6.7 Bushel Catcher Removable Screen	1	0
24	5874	Push to Release	6.7 Bushel Catcher Safety Latch	1	0
25	6807	Oil Pressure	Body	1	1
26	7809	Parking Brake	Body, RH below seat	1	1

NOTE: All parts requiring decals are shipped with decals applied.

TRACTOR DECALS



Effective Date 11-05-97

Use only genuine Walker replacement parts.

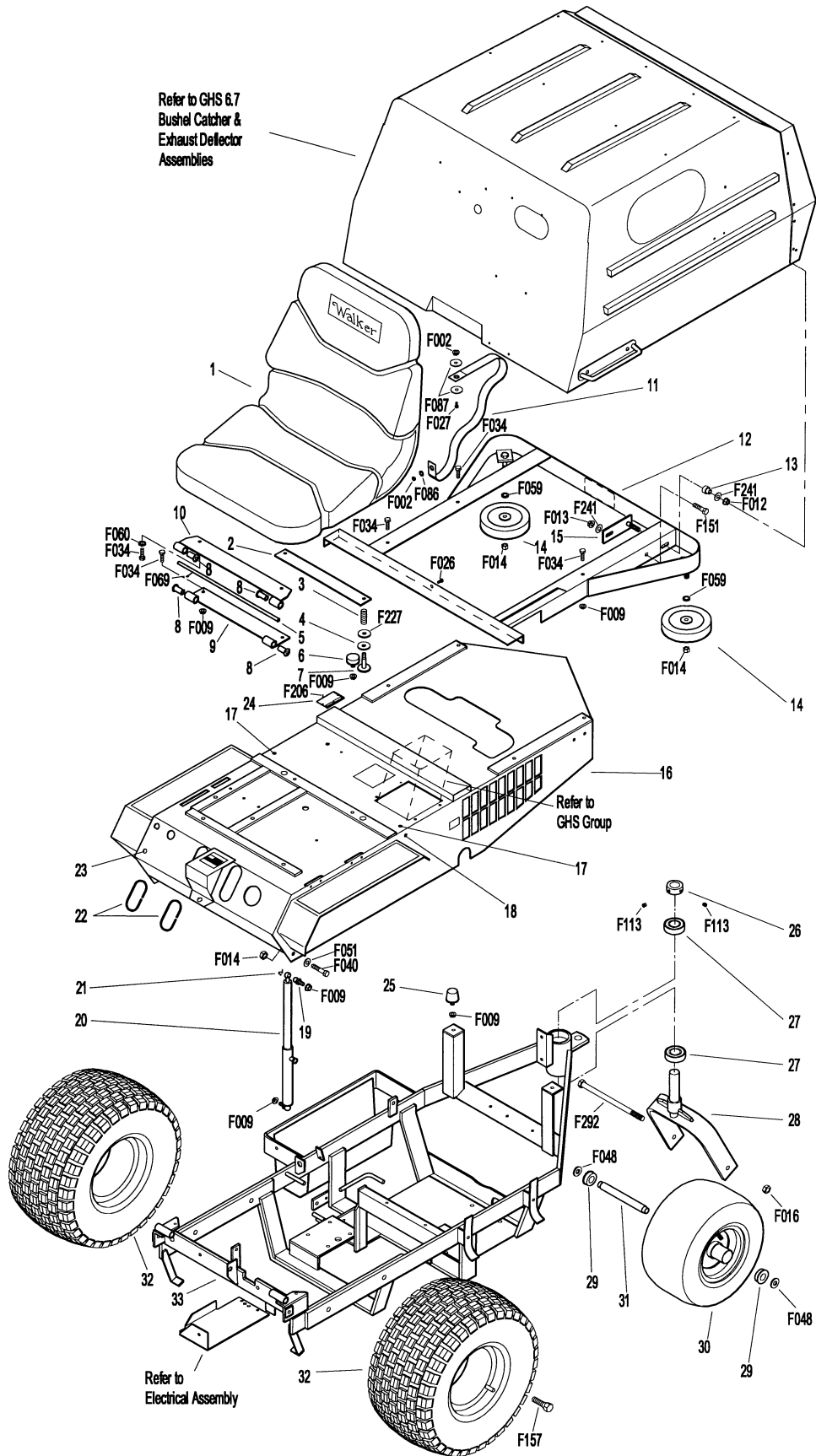
BODY / CHASSIS ASSEMBLY (GHS MODELS)

ITEM NO.	PART NO.	DESCRIPTION	NO. REQ'D	ITEM NO.	PART NO.	DESCRIPTION	NO. REQ'D
Seat Assembly				31	5038-1	Axle Spacer Tube (6-5/8)	1
1	5103	Seat	1	32	5070-5	Wheel & Tire Assembly (18 x 8.50-8)	2
2	7203	Seat Spring Plate	1		5070-2	Tire Only (18 x 8.50-8)	*
3	7223	Compression Spring (1/2 x 1)	2		5070-4	Wheel Only (8 x 7)	*
4	7846	Rubber Washer (3/8 ID x 1-1/4 OD x 1/8)	2		5033-2	Wheel & Tire Assembly (18 x 6.50-8)	***
5	7205-5	Pivot Pin	1		5030-2	Tire Only (18 x 6.50-8)	*
6	7845	Rubber Bumper (1.375 OD x .63)	2		5031-2	Wheel Only (8 x 5.5)	*
7	7204	Shoulder Bolt, Seat Mount	2		5030-4	Tire Tube (18 x 8.50-8)	*
8	5103-2	Pivot Bushing	4	33	6307	Chassis Frame	1
9	7205-1	Lower Plate, Seat Hinge	1	Fasteners			
10	7205-2	Upper Plate, Seat Hinge	1		F002	10-24 Keps Nut	2
	7205	Seat Hinge Assembly (Includes Items # 5, 8, 9, 10 & F069)	*		F009	5/16-18 Whiz Locknut	12
					F012	3/8-16 Keps Nut	2
Rear Bumper Assembly (GHS Models Only)**					F013	3/8-16 Whiz Locknut	2
11	5566	Tilt Stop Strap	1		F014	3/8-16 ESNA Nut	4
12	5516	Rear Bumper (6.7)	1		F016	1/2-13 Self-Locking Nut	1
13	7516-5	Catcher Pivot Bushing	2		F026	10-24 x 1/2 PPHMS	1
14	5162	Roller Wheel (5")	2		F027	10-24 x 5/8 PPHMS	1
15	7517-2	Catcher Pivot Plate	2		F034	5/16-18 x 3/4 Hex Bolt	8
Body Assembly					F040	3/8-16 x 1-1/2 Hex Bolt	2
16	6100-7	Welded Body	1		F048	1/2 SAE Washer	2
17	5989-3	Dome Plug (5/16)	2		F051	3/8 SAE Washer	2
18	5989-4	Dome Plug (3/8)	2		F059	3/8 Wave Spring Washer	2
19	7146	13mm Ball Stud	2		F060	AN960516 Washer	2
20	5145	Gas Spring Assembly (Includes Items # 19 & 21)	1		F069	3/32 x 1/2 Cotter Pin	2
21	7147	Spring Clip	2		F086	#10 SAE Washer	1
22	5180	Edge Molding, Lever Opening	2		F087	#10 x 7/8 Fender Washer	2
23	5989-5	Dome Plug (7/16)	1		F113	5/16-18 x 5/16 Set Screw	2
24	NS	Body ID Plate	1		F151	3/8-16 x 7/8 Hex Bolt	2
Chassis Assembly					F157	1/2-20 x 1-1/4 Wheel Lug Bolt	8
25	5845	Rubber Bumper (1.50 OD x 1.25)	2		F206	#2 x 3/16 Drive Pin	2
26	5267-1	Retainer Collar (1") (Includes Item # F113)	1		F227	3/8 x 1-1/4 x 1/8 Plastic Washer	2
27	5270-1	Pivot Bearing	2		F241	.375 x .875 x .10 Washer	4
28	5420-2	Tail Wheel Fork	1		F292	1/2-13 x 8-1/2 Hex Bolt GR 2	1
29	5037-1	Bearing	2	* Service Part Only			
30	5035	Tail Wheel & Tire Assembly (13 x 6.50-6)	1	** Rear Bumper Assembly for SD Models is not shown here. Refer to Body Assembly (SD Models), Page 6.			
	5035-1	Tire Only (13 x 6.50-6)	*	*** May be ordered as a factory-installed option or for dealer installation. Narrow Drive Tires are used when installing a 36" Deck. Contact your Walker dealer.			
	5036	Wheel & Hub Only (6 x 4.5)	*	NOTE: Decals for this assembly are not shown here. Refer to Tractor Decals (Page 2) for Decal listing and placement information.			

Use only genuine **Walker** replacement parts.

Effective Date 11-05-97

BODY / CHASSIS ASSEMBLY (GHS MODELS)



BODY ASSEMBLY (SD MODELS)

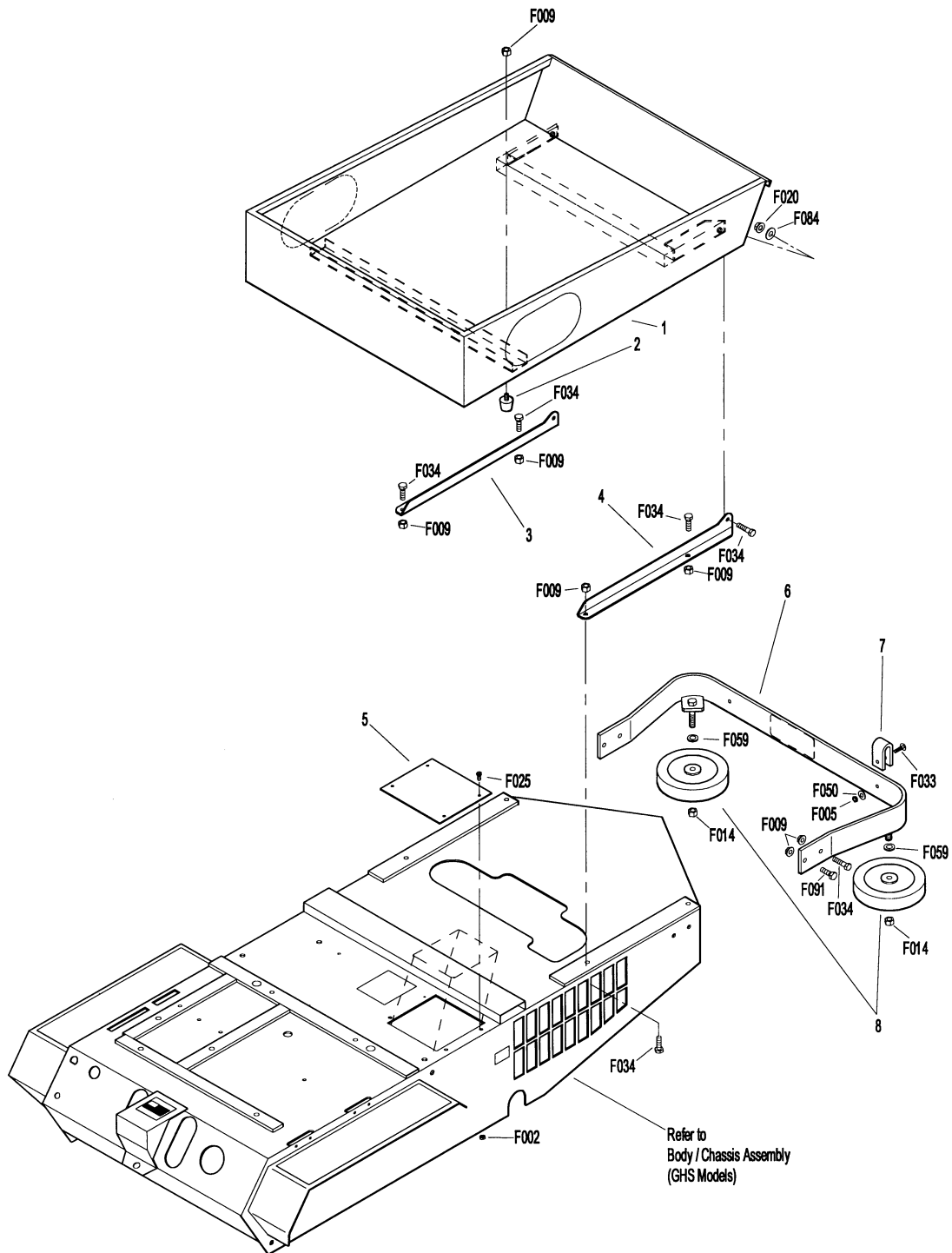
ITEM NO.	PART NO.	DESCRIPTION	NO. REQ'D	ITEM NO.	PART NO.	DESCRIPTION	NO. REQ'D
Utility Bed Assembly				Fasteners			
1	5656	Utility Bed	1	F002		10-24 Keps Nut	4
2	5845	Rubber Bumper (1.50 OD x 1.25)	2	F005		1/4-20 ESNA Nut	2
3	5651-1	Utility Bed Mount, RH	1	F009		5/16-18 Whiz Locknut	10
4	5652-1	Utility Bed Mount, LH	1	F014		3/8-16 ESNA Nut	2
Rear Bumper Assembly (SD Models Only)*				F020		5/16-18 ESNA Nut	2
5	7153-2	Cover Plate	1	F025		10-24 x 3/8 PPHMS	4
6	5112	Rear Bumper	1	F033		1/4-20 x 1 PTH Bolt	2
7	5161	Bumper Pad	2	F034		5/16-18 x 3/4 Hex Bolt	8
8	5162	Roller Wheel (5")	2	F050		1/4 SAE Washer	2
				F059		3/8 Wave Spring Washer	2
				F084		5/16 Wave Spring Washer	2
				F091		5/16-18 x 5/8 Hex Bolt	2

* Rear Bumper Assembly for GHS Models is not shown here. Refer to Body / Chassis Assembly (GHS Models), Page 4.

NOTE: Refer to Body / Chassis Assembly (GHS Models), Page 4 for all common parts used on both models.

NOTE: Decals for this assembly are not shown here. Refer to Tractor Decals (Page 2) for Decal listing and placement information.

BODY ASSEMBLY (SD MODELS)



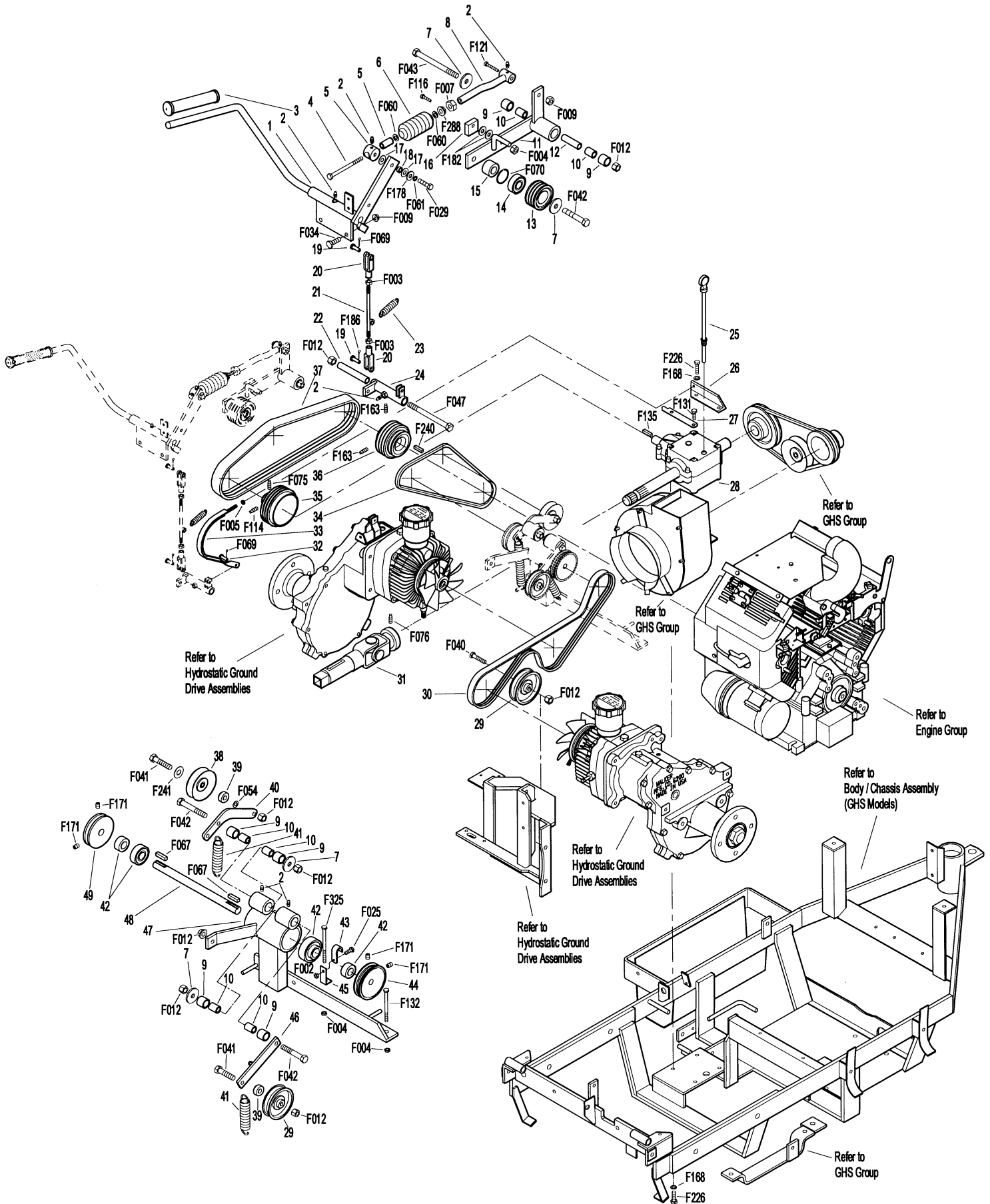
MAIN COMPONENT POWER TRANSMISSION (GHS MODELS)

ITEM NO.	PART NO.	DESCRIPTION	NO. REQ'D	ITEM NO.	PART NO.	DESCRIPTION	NO. REQ'D
Clutch Lever Assembly				44	7241-2	Transmission Drive Pulley, Micro-V (Includes Item # F171)	1
1	6358	Clutch Lever (Includes Items # 2 & 3)	1	45	8539	Starter Relay Mount	1
2	5830	Grease Fitting	6	46	8349	Transmission Belt Tightener Arm	1
3	7860	Handle Grip	1	47	8393	Jackshaft Support	1
4	7303-7	Clutch Actuator Rod	1	48	8273	Jackshaft (3/4 x 7-1/2)	1
5	7380	Knuckle Joint	1	49	7240-1	Jackshaft Drive Pulley (Includes Item # F171)	1
6	7226	Compression Spring (3/4 x 2-1/2)	1		7240-2	Jackshaft Drive Pulley (2-3/4 / 3V)	*
7	5841	Retainer Washer	4	Fasteners			
8	6130	Push Rod, Clutch Actuator	1		F002	10-24 Keps Nut	1
9	7201-1	Needle Bearing	6		F003	1/4-28 Hex Nut	2
10	7201	Bearing Inner Race	6		F004	1/4-20 Keps Nut	3
11	6345	PTO Belt Tightener Arm	1		F005	1/4-20 ESNA Nut	1
12	8367	Bearing Spacer Tube (3/4)	1		F007	5/16-18 Jam Nut	1
13	8243-1	Clutch Idler Pulley	1		F009	5/16-18 Whiz Locknut	3
	8243	Clutch Idler Pulley Assembly (Includes Items # 14, 15 & F070)	1		F012	3/8-16 Keps Nut	8
14	5265	Bearing (3/4)	1		F025	10-24 x 3/8 PPHMS	1
15	8243-3	Hub, Idler Pulley	1		F029	1/4-20 x 1/2 Hex Bolt	1
16	8375	PTO Belt Tightener Stop	1		F034	5/16-18 x 3/4 Hex Bolt	2
17	7377	Plastic Washer (1 x .438 x .025)	2		F040	3/8-16 x 1-1/2 Hex Bolt	1
18	7378	Pivot Bearing (7/16 x 9/16)	1		F041	3/8-16 x 1-3/4 Hex Bolt	2
19	5281-5	Clevis Pin (1/4 x 0.80)	2		F042	3/8-16 x 2-1/4 Hex Bolt	3
20	5280	Clevis (1/4)	2		F043	3/8-16 x 3 Hex Bolt	1
21	8305	Brake Actuator Rod	1		F047	3/8-16 x 4-1/2 Hex Bolt	1
22	8370	Bearing, Brake Actuator	1		F054	AN960616 Washer	1
23	8250	Brake Spring (1/2 x 2-1/2)	1		F060	AN960516 Washer	2
24	8369	Brake Actuator (Includes Items # 2 & 22)	1		F061	1/4 Internal Star Lock Washer	1
PTO Drive Shaft Assembly					F067	3/16 x 3/16 x 1 Key	2
25	7050-1	Dipstick, Gearbox	1		F069	3/32 x 1/2 Cotter Pin	2
26	8371	Mount Bracket, Brake Band	1		F070	1-3/4 Internal Snap Ring	1
27	8377	Brake Band Guide	1		F075	5/16-18 x 1/2 SQH Set Screw	1
28	8050	PTO Gearbox	1		F076	3/8-16 x 5/8 SQH Set Screw	1
29	5245	Idler Pulley (3")	2		F114	5/16-18 x 5/8 SQH Set Screw	1
30	7248	Ground Drive Belt, Micro-V	1		F116	1/4-20 x 1-1/4 Hex Bolt	1
31	7275	Universal Joint Tube Assembly (Includes Item # F076)	1		F121	5/16-18 x 3/8 x 1 SHL Bolt	1
32	7523-2	Clevis Pin (1/4 x 5/8)	1		F131	5/16-18 x 1/2 Hex Bolt	2
33	8304	Brake Band (14-1/2)	1		F132	1/4-20 x 2-3/4 Hex Bolt	1
34	6250	Drive Belt (3VX375)	1		F135	3/16 x 3/16 x 1-3/4 Key	1
35	7236	PTO Drive Pulley (Includes Items # F075 & F114)	1		F163	5/16-18 x 3/4 SQH Set Screw	2
36	8237	Engine Pulley (Includes Item # F163)	1		F168	5/16 Split Lock Washer	6
37	8230	Engine PTO Belt	1		F171	5/16-18 x 3/8 Set Screw	4
Jackshaft Assembly					F178	1/4 x 1 Fender Washer	1
38	7245-1	Idler Pulley (3/8 Groove)	1		F182	5/8 x 1/4 x 1/8 Washer	2
39	6325-2	Spacer Bushing (5/16)	2		F186	5/64 x 1/2 Cotter Pin	1
40	7349-1	Idler Arm	1		F226	5/16-18 x 7/8 Hex Bolt	6
41	5221	Extension Spring (3/4 x 4)	2		F240	1/4 x 1/4 x 2-1/4 Key	1
42	5268	Bearing (3/4)	2		F241	.375 x .875 x .10 Washer	1
43	7833	Cable Clamp (7/8 x 1/4)	1		F288	5/16-18 ESNA Jam Nut	1
					F325	1/4-20 x 3 Hex Bolt	1
				*	May be ordered as a kit for dealer installation. Contact your Walker dealer.		

Use only genuine **Walker** replacement parts.

Effective Date 11-05-97

MAIN COMPONENT POWER TRANSMISSION (GHS MODELS)



Effective Date 11-05-97

Use only genuine Walker replacement parts.

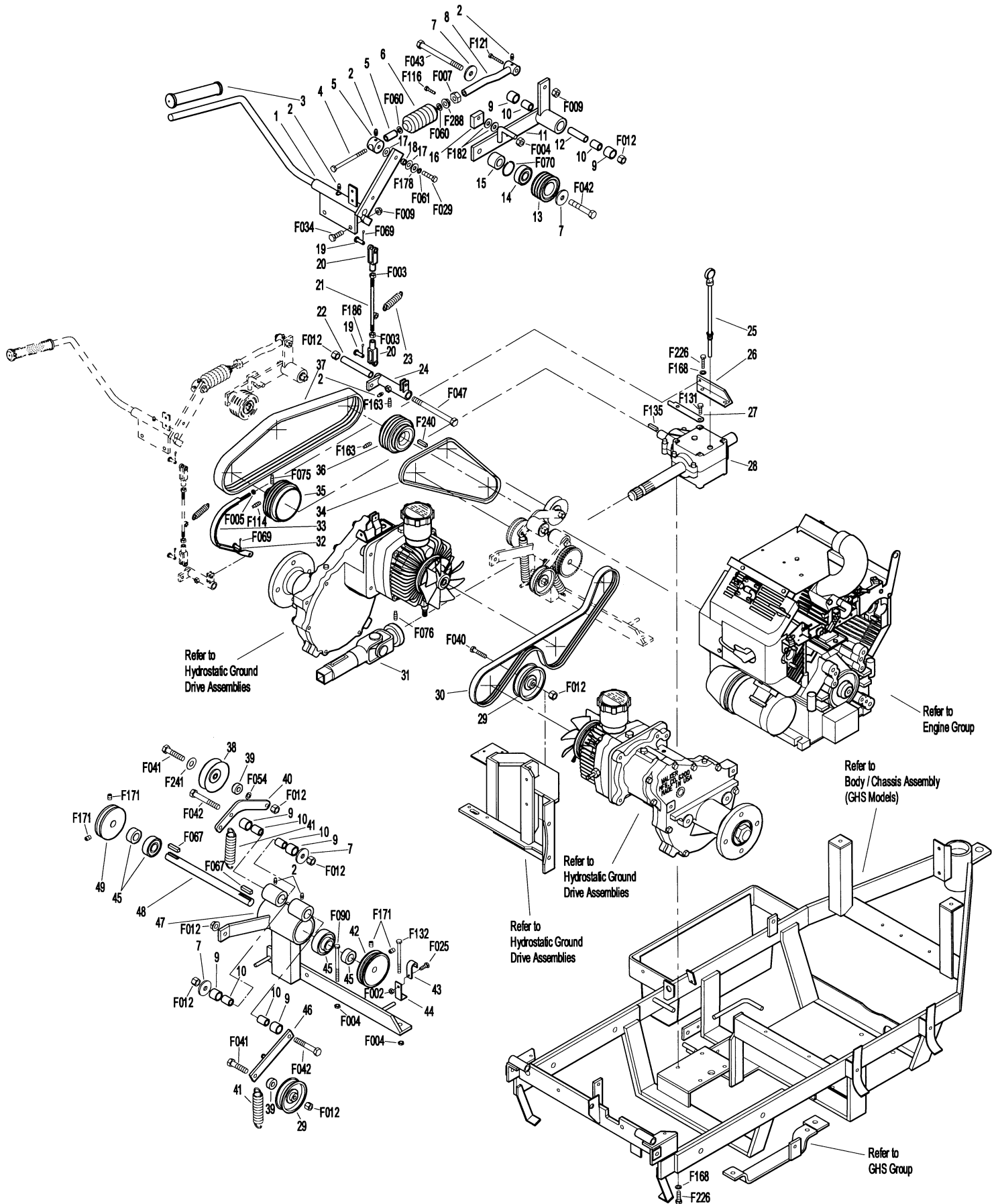
MAIN COMPONENT POWER TRANSMISSION (SD MODELS)

ITEM NO.	PART NO.	DESCRIPTION	NO. REQ'D	ITEM NO.	PART NO.	DESCRIPTION	NO. REQ'D
Clutch Lever Assembly				44	8539	Starter Relay Mount	1
1	6358	Clutch Lever (Includes Items # 2 & 3)	1	45	5268	Bearing (3/4)	2
2	5830	Grease Fitting	6	46	8349	Transmission Belt Tightener Arm	1
3	7860	Handle Grip	1	47	8393	Jackshaft Support	1
4	7303-7	Clutch Actuator Rod	1	48	8273	Jackshaft (3/4 x 7-1/2)	1
5	7380	Knuckle Joint	1	49	7240-1	Jackshaft Drive Pulley	1
6	7226	Compression Spring (3/4 x 2-1/2)	1			(Includes Item # F171)	
7	5841	Retainer Washer	4		7240-2	Jackshaft Drive Pulley (2-3/4 / 3V)	*
8	6130	Push Rod, Clutch Actuator	1	Fasteners			
9	7201-1	Needle Bearing	6		F002	10-24 Keps Nut	1
10	7201	Bearing Inner Race	6		F003	1/4-28 Hex Nut	2
11	6345	PTO Belt Tightener Arm	1		F004	1/4-20 Keps Nut	3
12	8367	Bearing Spacer Tube (3/4)	1		F005	1/4-20 ESNA Nut	1
13	8243-1	Clutch Idler Pulley	1		F007	5/16-18 Jam Nut	1
	8243	Clutch Idler Pulley Assembly (Includes Items # 14, 15 & F070)	1		F009	5/16-18 Whiz Locknut	3
14	5265	Bearing (3/4)	1		F012	3/8-16 Keps Nut	8
15	8243-3	Hub, Idler Pulley	1		F025	10-24 x 3/8 PPHMS	1
16	8375	PTO Belt Tightener Stop	1		F029	1/4-20 x 1/2 Hex Bolt	1
17	7377	Plastic Washer (1 x .438 x .025)	2		F034	5/16-18 x 3/4 Hex Bolt	2
18	7378	Pivot Bearing (7/16 x 9/16)	1		F040	3/8-16 x 1-1/2 Hex Bolt	1
19	5281-5	Clevis Pin (1/4 x 0.80)	2		F041	3/8-16 x 1-3/4 Hex Bolt	2
20	5280	Clevis (1/4)	2		F042	3/8-16 x 2-1/4 Hex Bolt	3
21	8305	Brake Actuator Rod	1		F043	3/8-16 x 3 Hex Bolt	1
22	8370	Bearing, Brake Actuator	1		F047	3/8-16 x 4-1/2 Hex Bolt	1
23	8250	Brake Spring (1/2 x 2-1/2)	1		F054	AN960616 Washer	1
24	8369	Brake Actuator (Includes Items # 2 & 22)	1		F060	AN960516 Washer	2
PTO Drive Shaft Assembly					F061	1/4 Internal Star Lock Washer	1
25	7050-1	Dipstick, Gearbox	1		F067	3/16 x 3/16 x 1 Key	2
26	8371	Mount Bracket, Brake Band	1		F069	3/32 x 1/2 Cotter Pin	2
27	8377	Brake Band Guide	1		F070	1-3/4 Internal Snap Ring	1
28	8050	PTO Gearbox	1		F075	5/16-18 x 1/2 SQH Set Screw	1
29	5245	Idler Pulley (3")	2		F076	3/8-16 x 5/8 SQH Set Screw	1
30	7248	Ground Drive Belt, Micro-V	1		F090	1/4-20 x 2-1/2 Hex Bolt	1
31	7275	Universal Joint Tube Assembly (Includes Item # F076)	1		F114	5/16-18 x 5/8 SQH Set Screw	1
32	7523-2	Clevis Pin (1/4 x 5/8)	1		F116	1/4-20 x 1-1/4 Hex Bolt	1
33	8304	Brake Band (14-1/2)	1		F121	5/16-18 x 3/8 x 1 SHL Bolt	1
34	6250	Drive Belt (3VX375)	1		F131	5/16-18 x 1/2 Hex Bolt	2
35	7236	PTO Drive Pulley (Includes Items # F075 & F114)	1		F132	1/4-20 x 2-3/4 Hex Bolt	1
36	8237	Engine Pulley (Includes Item # F163)	1		F135	3/16 x 3/16 x 1-3/4 Key	1
37	8230	Engine PTO Belt	1		F163	5/16-18 x 3/4 SQH Set Screw	2
Jackshaft Assembly					F168	5/16 Split Lock Washer	6
38	7245-1	Idler Pulley (3/8 Groove)	1		F171	5/16-18 x 3/8 Set Screw	4
39	6325-2	Spacer Bushing (5/16)	2		F178	1/4 x 1 Fender Washer	1
40	7349-1	Idler Arm	1		F182	5/8 x 1/4 x 1/8 Washer	2
41	5221	Extension Spring (3/4 x 4)	2		F186	5/64 x 1/2 Cotter Pin	1
42	7241-2	Transmission Drive Pulley, Micro-V (Includes Item # F171)	1		F226	5/16-18 x 7/8 Hex Bolt	6
43	7833	Cable Clamp (7/8 x 1/4)	1		F240	1/4 x 1/4 x 2-1/4 Key	1
					F241	.375 x .875 x .10 Washer	1
					F288	5/16-18 ESNA Jam Nut	1
				*	May be ordered as a kit for dealer installation. Contact your Walker dealer.		

Use only genuine **Walker** replacement parts.

Effective Date 11-05-97

MAIN COMPONENT POWER TRANSMISSION (SD MODELS)



Effective Date 11-05-97

Use only genuine Walker replacement parts.

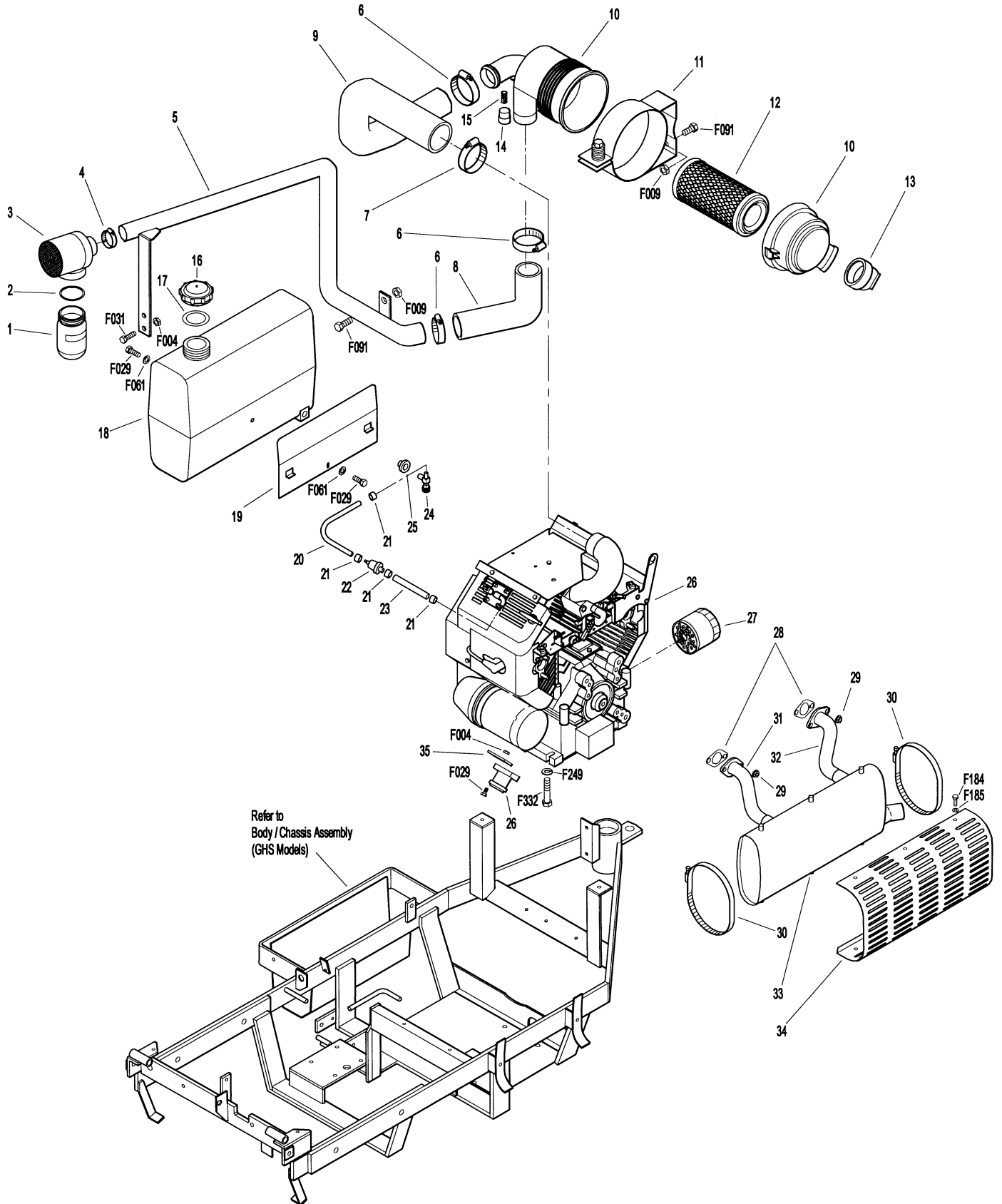
ENGINE GROUP

ITEM NO.	PART NO.	DESCRIPTION	NO. REQ'D	ITEM NO.	PART NO.	DESCRIPTION	NO. REQ'D
Precleaner Assembly				Engine & Exhaust Assemblies			
1	6016-2	Glass Collection Jar	1	26	NS	16 HP Engine (Kohler TH16S, Spec. # 2543502)	1
2	6016-1	Rubber Gasket	1	27	NS	Oil Filter (Kohler 2805001)	1
3	6011-0	Precleaner Housing (Includes Item # 2)	1	28	NS	Gasket (Kohler 2404102)	2
	6011-11	Precleaner Assembly (Includes Items # 1, 2, 3 & 4)	*	29	NS	Nut (Kohler M-0841080)	4
4	6011-10	Hose Clamp (3/4 to 1-1/4)	1	30	8897	Muffler Band Clamp	2
5	6028	Precleaner Tube (Uses Existing Fasteners at Engine)	1	31	6052	Exhaust Pipe, Rear	1
6	7840	Hose Clamp (1-5/16 to 2-1/4)	3	32	6051	Exhaust Pipe, Front	1
7	6029	Hose Clamp (2-1/2)	1	33	8013-1	Muffler	1
8	7027	Elbow, Precleaner	1	34	8013-5	Muffler Heat Shield	1
9	6087	Air Intake Hose	1	35	6327	Solenoid Mount	1
10	6090	Air Cleaner (Includes Item #6)	1	Fasteners			
11	5088-1	Air Cleaner Band	1	F004		1/4-20 Keps Nut	4
12	5090-1	Air Cleaner Cartridge	1	F009		5/16-18 Whiz Locknut	2
13	5090-2	Vacuator Valve	1	F029		1/4-20 x 1/2 Hex Bolt	4
14	5091	Air Flow Indicator	1	F031		1/4-20 x 5/8 Hex Bolt	2
15	5092	Close Nipple, 3/4 (1/8 NPT)	1	F061		1/4 Internal Star Lock Washer	2
Fuel Tank Assembly				F091		5/16-18 x 5/8 Hex Bolt	2
16	5082	Fuel Tank Cap (Includes Item # 17)	*	F184		1/4-20 x 1/2 Hex Bolt SS	6
17	5082-2	Fuel Cap Seal	*	F185		1/4 Internal Star Lock SS	6
18	6046	Fuel Tank, 3.0 gal., Gas (Includes Items # 16, 17, 24 & 25)	1	F249		M10 Split Lock Washer	4
19	8023	Fuel Tank Support	1	F332		M10 x 1.5 x 30 Hex Bolt	4
20	7015	Fuel Line, Tank (1/4 x 15)	1	* Service Part Only			
21	5879-3	Hose Clamp (1/2)	4	NOTE: Refer to Kohler Engine Decal (NS) for Engine Identification Numbers.			
22	5020	Fuel Filter	1	NOTE: Decals for this assembly are not shown here. Refer to Tractor Decals (Page 2) for Decal listing and placement information.			
23	6015-3	Fuel Line, Engine (1/4 x 12-1/2)	1				
24	5083	Fuel Shut-Off Valve & Filter	*				
25	5083-1	Bushing, Rubber	*				

Use only genuine **Walker** replacement parts.

Effective Date 11-05-97

ENGINE GROUP



Effective Date 11-05-97

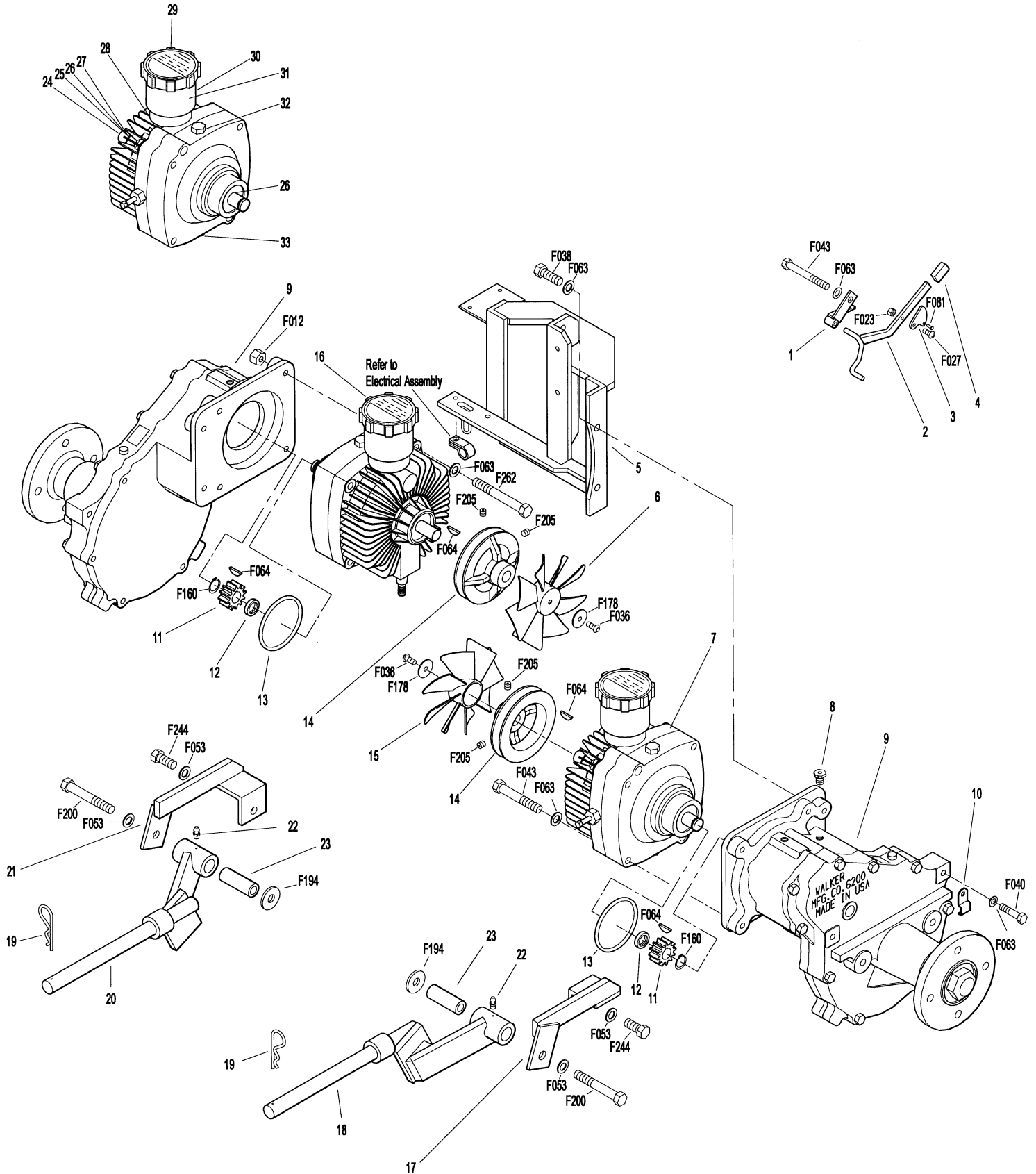
Use only genuine Walker replacement parts.

HYDROSTATIC GROUND DRIVE ASSEMBLIES

ITEM NO.	PART NO.	DESCRIPTION	NO. REQ'D	ITEM NO.	PART NO.	DESCRIPTION	NO. REQ'D
Transmission Lockout Assembly				Transmission Repair Parts*			
1	5027	Lockout Mount	2	24	5025-5	Input Shaft	*
	5028-3	Transmission Lockout Assembly (Includes Items # 1, 2, 3, 4, F023 & F027)	*	25	5025-8	Bearing, Input	*
2	5028	Lockout Lever	2	26	5025-7	Snap Ring	*
3	5057	Lockout Cam (Includes Item # F081)	2	27	5025-2	Seal, Input Shaft	*
4	5847	Plastic Tip, Lockout Lever	2	28	5022	Reservoir to Casting Gasket	*
				29	5024	Reservoir Cap and Gasket	*
				30	5023	Transmission Reservoir Kit (Includes Items # 28, 29, & 31)	*
Ground Drive Assemblies				31	5023-1	Rubber Bladder	*
5	6209-1	Bridge Assembly	1	32	5025-6	O-Ring & Plug Assembly	*
6	6243-2	Hydro Fan, CCW	1	33	5025-3	Seal, Control Shaft	*
7	5026	Hydrostatic Drive, CW (700-031)	1	Fasteners			
8	6206	Pressure Relief Valve	*	F012	3/8-16 Keps Nut		1
9	6200-5	Gear Axle Drive Assembly (Includes Item # 8)	2	F023	10-24 ESNA Nut		2
10	5126	Cable Retainer	1	F027	10-24 x 5/8 PPHMS		2
11	6233-1	Pinion Gear	2	F036	1/4-20 x 1/2 SBH Screw		2
12	6234	Spacer, Pinion Gear	2	F038	3/8-16 x 1 Hex Bolt		4
13	6201	O-Ring Seal	2	F040	3/8-16 x 1-1/2 Hex Bolt		4
14	7244	Hydro Pulley (3-7/8)	2	F043	3/8-16 x 3 Hex Bolt		7
15	6243-1	Hydro Fan, CW	1	F053	7/16 Internal Star Lock Washer		4
16	5025	Hydrostatic Drive, CCW (700-032)	1	F063	3/8 Internal Star Lock Washer		16
Deck Support Arm Assemblies				F064	1/8 x 1/2 Woodruff Key (#3)		4
17	6430-10	Outboard Mount, LH	1	F081	A/A45D Aluminum Pop Rivet		2
18	6430-2	Deck Support Arm, LH (Includes Item # 22)	1	F160	External Snap Ring (.669 Shaft)		2
19	5775-2	Hitch Pin (#6)	2	F178	1/4 x 1 Fender Washer		2
20	6430-1	Deck Support Arm, RH (Includes Item # 22)	1	F194	7/16 x 1-1/4 x 1/8 Washer		2
21	6430-9	Outboard Mount, RH	1	F200	7/16-20 x 3 Grade 8 Bolt		2
22	5830	Grease Fitting	2	F205	5/16-18 x 1/4 Set Screw, Knurl Point		4
23	6840-1	Support Arm Bushing	2	F244	7/16-20 x 3/4 Hex Bolt		2
				F262	3/8-16 x 4 Hex Bolt (Spec) All Thread		1
				* Service Part Only			

NOTE: Decals for this assembly are not shown here. Refer to Tractor Decals (Page 2) for Decal listing and placement information.

HYDROSTATIC GROUND DRIVE ASSEMBLIES



Effective Date 11-05-97

Use only genuine Walker replacement parts.

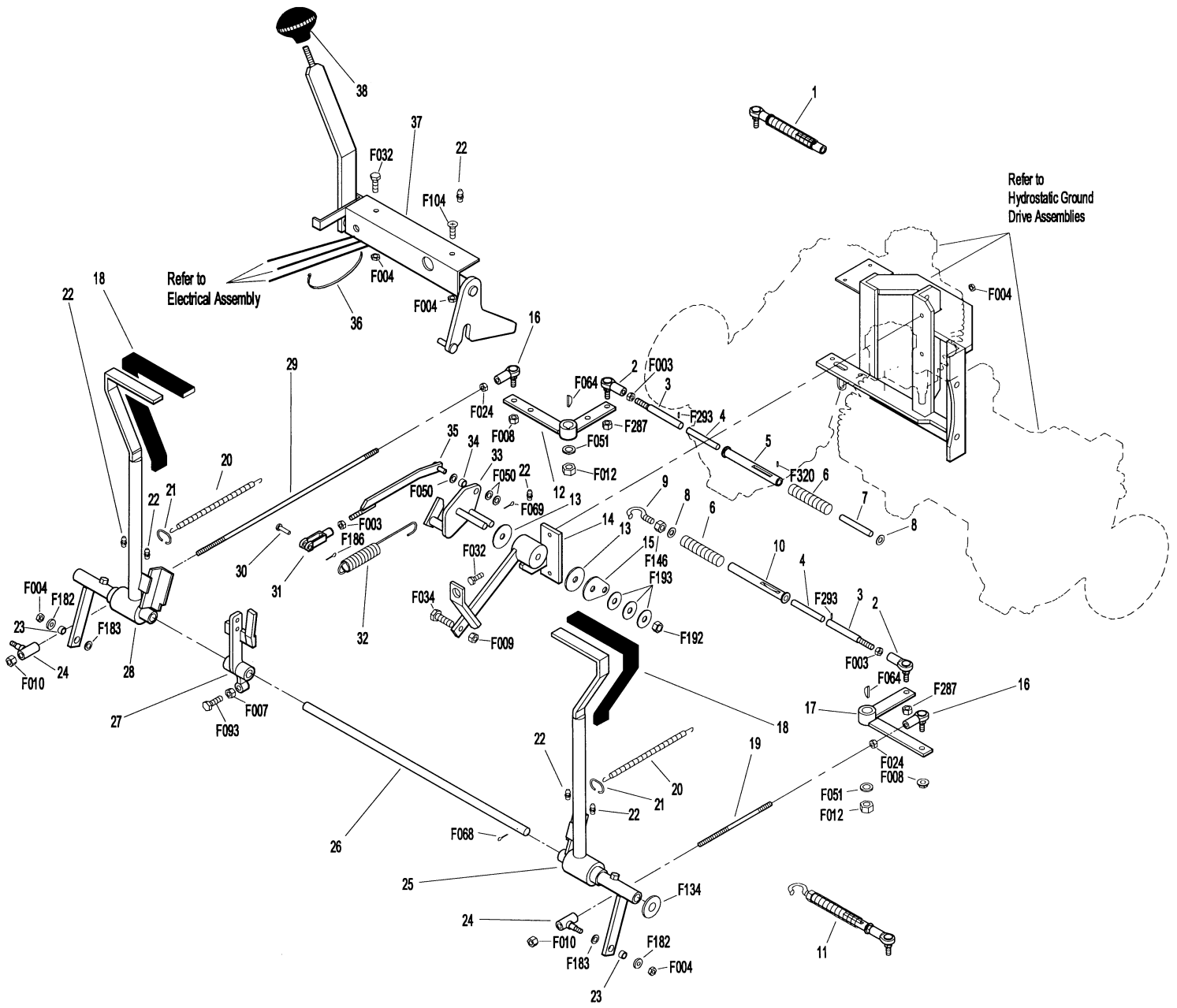
STEERING CONTROL ASSEMBLIES

ITEM NO.	PART NO.	DESCRIPTION	NO. REQ'D	ITEM NO.	PART NO.	DESCRIPTION	NO. REQ'D
Transmission Spring Assemblies				31	5280	Clevis (1/4)	1
1	6199	Transmission Spring Assembly (RH) (Includes Items # 2-8, F003, F287, F293 & F320)	*	32	5219	FSC Extension Spring (3/4 x 6-3/4)	1
2	5552	Ball Joint (1/4-28)	2	33	5142-2	FSC Actuator Cam	1
3	5192	Spring Plunger	2	34	5172	Bearing, Nylon (.255 ID x .379 OD x .250)	1
4	5194	Plunger Sleeve	2	35	5173	FSC Actuator Rod	1
5	6191	Spring Slide (4-3/4)	1	36	5975-3	Cable Tie (50# x 7")	1
6	5195	Compression Spring (1 x 5-1/8)	2	37	7170	FSC Lever Assembly (Includes Item # 22)	1
7	6196	Spring Slide Cap	1	38	5862	FSC Knob	1
8	5193	Washer (.750 ID x 1.00 OD x .085)	2	Fasteners			
9	5197	J-Bolt	1		F003	1/4-28 Hex Nut	3
10	5191	Spring Slide (3-5/8)	1		F004	1/4-20 Keps Nut	6
11	5199	Transmission Spring Assembly (LH) (Includes Items # 2-4, 6, 8-10, F003, F146, F287 & F293)	*		F007	5/16-18 Jam Nut	1
Steering Lever & FSC Assemblies					F008	5/16-24 Keps Nut	2
12	6212	Transmission Control Arm, RH	1		F009	5/16-18 Whiz Locknut	1
13	5141	FSC Friction Washer	2		F010	5/16-24 ESNA Nut	2
14	5140	FSC Friction Body (Includes Item # 22)	1		F012	3/8-16 Keps Nut	2
15	5142-5	FSC Key	1		F024	5/16-24 Jam Nut	2
	5140-3	FSC Control Assembly (Includes Items # 13, 14, 15, 22, 33, F192 & F193)	*		F032	1/4-20 x 3/4 Hex Bolt	3
16	5214-2	Ball Joint (5/16-24), Nylon Lined	2		F034	5/16-18 x 3/4 Hex Bolt	1
17	5212-5	Transmission Control Arm, LH	1		F050	1/4 SAE Washer	3
18	5850	Handle Grip, Foam	2		F051	3/8 SAE Washer	2
19	5213-1	Control Rod, LH (15")	1		F064	1/8 x 1/2 Woodruff Key (#3)	2
20	5223	Extension Spring (1/4 x 5-1/2)	2		F068	1/8 x 1 Cotter Pin	1
21	5450	D-Clip	2		F069	3/32 x 1/2 Cotter Pin	1
22	5830	Grease Fitting	6		F093	5/16-18 x 1 Hex Bolt	1
23	5214-1	Bearing, Steering Lever Actuator	2		F104	1/4-20 x 3/4 PFH Bolt	1
24	5463	Steering Lever Actuator	2		F134	AN960816L Washer	2**
25	5451-2	Steering Lever, LH (Includes Item # 22)	1		F146	1/4-20 Jam Nut	1
26	5217	Pivot Pin, Steering Lever	1		F182	1/4 x 5/8 x 1/8 Washer	2
27	5470-1	Speed Control Stop	1		F183	.312 x .700 x .074 Washer	2
28	5450-2	Steering Lever, RH (Includes Item # 22)	1		F186	5/64 x 1/2 Cotter Pin	1
29	5213-2	Control Rod, RH (6")	1		F192	3/8-24 Self-Locking Nut	1
30	5281-5	Clevis Pin (1/4 x 0.80)	1		F193	3/8 Belleville Spring Washer	3
					F287	1/4-28 Keps Nut	2
					F293	1/8 X 1 Roll Pin	2
					F320	1/8 x 3/4 Split Spring Pin	1
				* Service Part Only			
				** Average number used per assembly. Adjust as required.			
				NOTE: Decals for this assembly are not shown here. Refer to Tractor Decals (Page 2) for Decal listing and placement information.			

Use only genuine **Walker** replacement parts.

Effective Date 11-05-97

STEERING CONTROL ASSEMBLIES

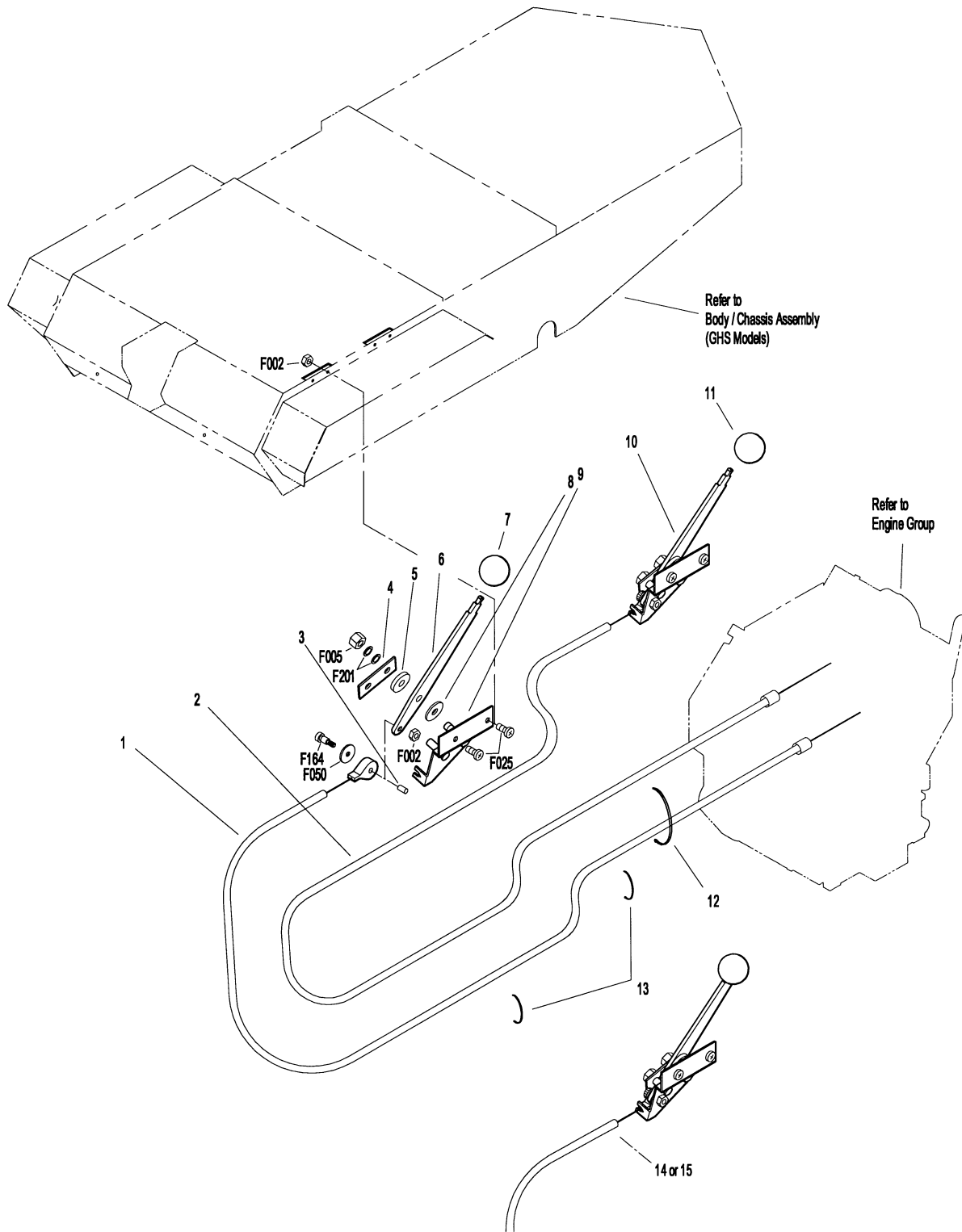


THROTTLE & CHOKE CONTROL ASSEMBLIES

ITEM NO.	PART NO.	DESCRIPTION	NO. REQ'D	ITEM NO.	PART NO.	DESCRIPTION	NO. REQ'D
Throttle & Choke Control Assemblies				14	6108-1	Throttle Control and Cable Assembly (Complete Control and Cable Assembly)	*
1	5108-13	Throttle Cable	1	15	8122	Choke Control and Cable Assembly (Complete Control and Cable Assembly)	*
2	8122-1	Choke Cable	1				
3	5172	Nylon Bearing	2	Fasteners			
4	5108-7	Control Lock Tab	2		F002	10-24 Keps Nut	6
5	5108-10	Friction Washer (.125)	2		F005	1/4-20 ESNA Nut	2
6	5108-1	Control Lever, Throttle & Choke	2		F025	10-24 x 3/8 PPHMS	4
7	5108-5	Throttle Control Knob, Red	1		F050	1/4 SAE Washer	2
8	5108-11	Friction Washer (.062)	2		F164	10-24-1/4 x 3/8 SHL Bolt	2
9	5108-8	Control Bracket	2		F201	1/4 Belleville Spring Washer	4
10	7108	Control Assembly, Throttle and Choke	2	* Service Part Only			
11	5108-6	Choke Control Knob, Black	1				
12	5975-3	Cable Tie (50# x 7")	1				
13	5975-1	Cable Tie (18# x 3-3/4")	2				

NOTE: Decals for this assembly are not shown here. Refer to Tractor Decals (Page 2) for Decal listing and placement information.

THROTTLE & CHOKE CONTROL ASSEMBLIES

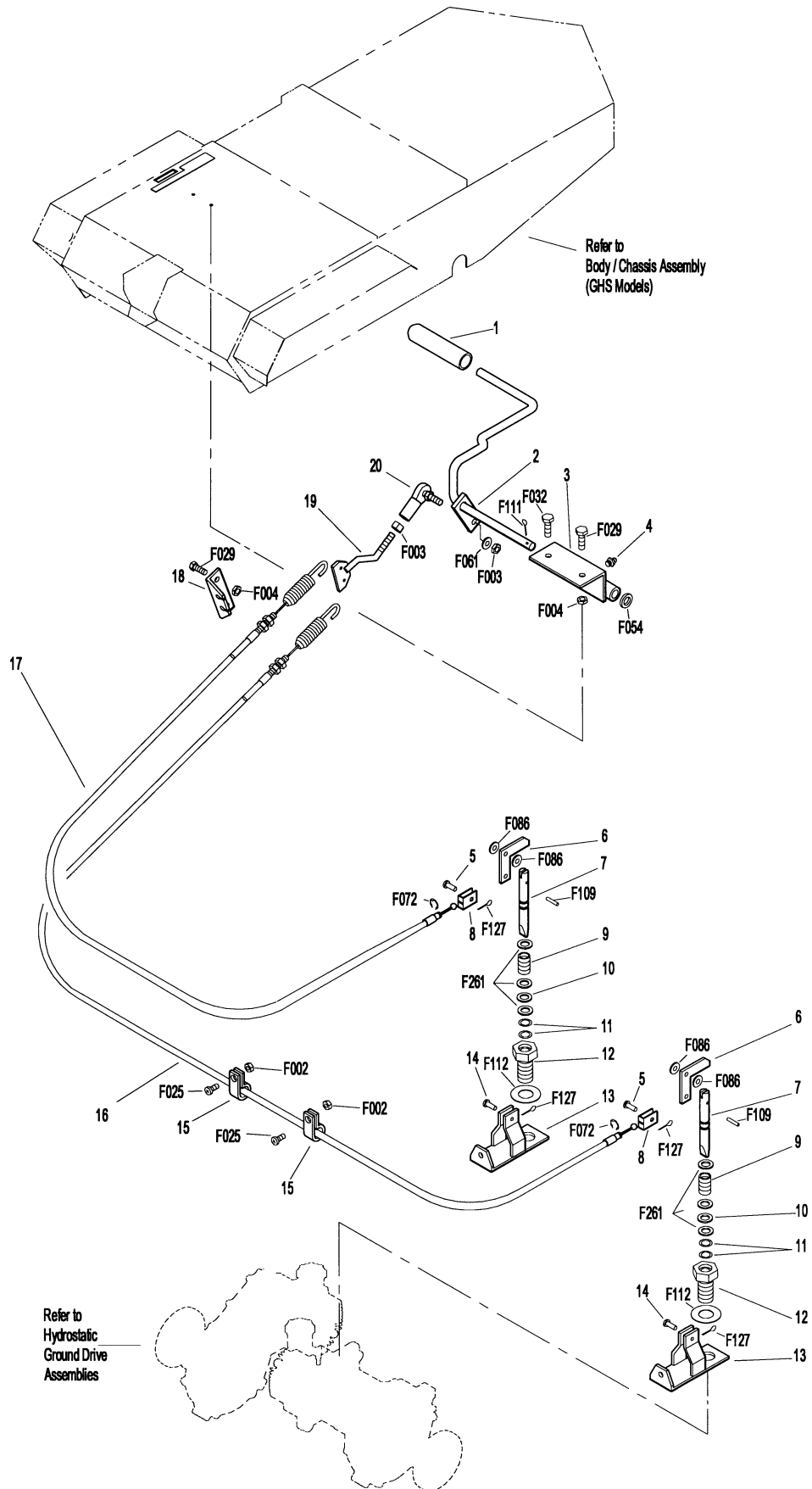


PARKING BRAKE ASSEMBLY

ITEM NO.	PART NO.	DESCRIPTION	NO. REQ'D	ITEM NO.	PART NO.	DESCRIPTION	NO. REQ'D
Parking Brake Assembly				Fasteners			
1	7406-1	Handle Grip, Red	1	F002		10-24 Keps Nut	2
2	7406-5	Parking Brake Lever	1	F003		1/4-28 Hex Nut	2
3	7406-2	Lever Mount	1	F004		1/4-20 Keps Nut	4
4	5830	Grease Fitting	1	F025		10-24 x 3/8 PPHMS	2
5	7407	Clevis Pin (3/16 x 1/2)	2	F029		1/4-20 x 1/2 Hex Bolt	3
6	7404	Brake Actuator Arm	2	F032		1/4-20 x 3/4 Hex Bolt	1
7	7405	Pin, Transmission Lock	2	F054		AN960616 Washer	1
8	7402	Clevis	2	F061		1/4 Internal Star Lock Washer	1
9	7408	Compression Spring (1/2 x 3/4)	2	F072		1/4 "E" Retainer Ring	2
10	7415	Rubber Dust Shield (5/8 x 3/8 x 1/32)	2	F086		#10 SAE Washer	4
11	5567-3	O-Ring Seal (1/4 x 3/8)	4	F109		1/8 x 5/8 Roll Pin	2
12	7403	Plunger Bushing, Gear Axle	2	F111		1/8 x 3/4 Cotter Pin	1
13	7404-1	Brake Actuator Mount	2	F112		5/8 x 1-1/4 x .03 Washer	2
14	7412	Clevis Pin (3/16 x 3/4)	2	F127		1/16 x 1/2 Cotter Pin	4
15	5833	Cable Clamp (1/4)	2	F261		AN960616L Washer	6
16	7410	Brake Control Cable, LH (27")	1				
17	7409	Brake Control Cable, RH (21")	1				
18	7401-3	Cable Mount Bracket	1				
19	7401-1	Cable Pull Rod	1				
20	5552	Ball Joint (1/4-28)	1				

NOTE: Decals for this assembly are not shown here. Refer to Tractor Decals (Page 2) for Decal listing and placement information.

PARKING BRAKE ASSEMBLY



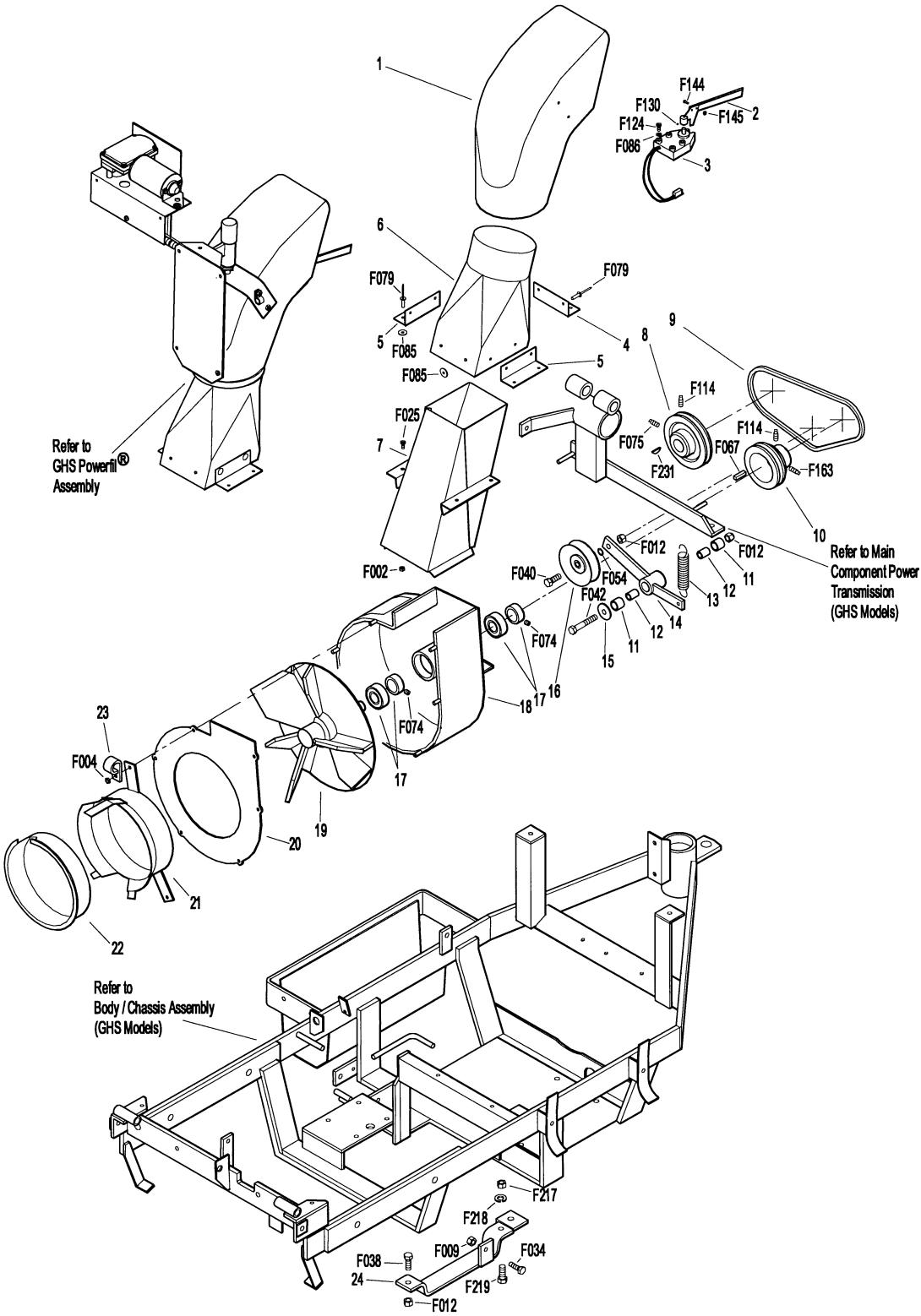
GHS GROUP

ITEM NO.	PART NO.	DESCRIPTION	NO. REQ'D	ITEM NO.	PART NO.	DESCRIPTION	NO. REQ'D
Delivery Chute Assembly				Fasteners			
1	5515-2	Elbow Delivery Spout	1	F002		10-24 Keps Nut	4
2	5594	Vane Assembly, Grass Pak Switch (Includes Items # F130, F144 & F145)	1	F004		1/4-20 Keps Nut	6
3	5592	Grass Pak Switch Assembly	1	F009		5/16-18 Whiz Locknut	1
4	5578	Rear Clip, Chute Mount	1	F012		3/8-16 Keps Nut	3
5	5577	Side Clip, Chute Mount	2	F025		10-24 x 3/8 PPHMS	4
6	5511-3	Delivery Chute Assembly, (6.7) (Includes Items # 4, 5, F079 & F085)	1	F034		5/16-18 x 3/4 Hex Bolt	1
7	6530	Body Chute (10")	1	F038		3/8-16 x 1 Hex Bolt	1
Blower Belt Tightener Assembly				F040		3/8-16 x 1-1/2 Hex Bolt	1
8	7238	Blower Drive Pulley (4-1/4 / 3V)	1	F042		3/8-16 x 2-1/4 Hex Bolt	1
9	7234	Blower Belt (3VX280)	1	F054		AN960616 Washer	1
10	7239	Blower Pulley (3-3/8 / 3V)	1	F067		3/16 x 3/16 x 1 Key	1
11	7201-1	Needle Bearing	2	F074		1/4-20 x 3/8 Set Screw	2
12	7201	Bearing Inner Race	2	F075		5/16-18 x 1/2 SQH Set Screw	1
13	5221	Extension Spring (3/4 x 4)	1	F079		A/A66D Aluminum Pop Rivet	14
14	7364	Blower Belt Tightener Arm	1	F085		3/16 Rivet Backup Washer	8
15	5841	Retainer Washer	1	F086		#10 SAE Washer	4
Blower Assembly				F114		5/16-18 x 5/8 SQH Set Screw	2
16	7245	Idler Pulley (1/2 Groove)	1	F124		10-32 x 3/8 Taptite Machine Screw	4
17	5268	Bearing (3/4) Includes Locking Collar	2	F130		10-24 x 3/16 Set Screw	1
18	6543	Housing (10" Blower)	1	F144		4-40 x 1/4 PPHMS	1
	6542	Blower Assembly (10")	*	F145		4-40 Keps Nut	1
19	6545	Blower Wheel (10")	1	F163		5/16-18 x 3/4 SQH Set Screw	1
20	6525-2	Faceplate (10" Blower)	1	F217		7/16-14 Hex Nut	1
21	6526	Intake Tube (6-1/2 x 2-1/2)	1	F218		7/16 Split Lock Washer	1
22	5595-2	Intake Cover	**	F219		7/16-14 x 1-1/4 Hex Bolt	1
23	7833	Cable Clamp (7/8 x 1/4)	1	F231		1/4 x 3/4 Woodruff Key (#806)	1
24	7528	Skid Bar (10" Blower)	1	<p>* Service Part Only</p> <p>** Plugs blower when GHS is not in use. Furnished only with Mulching Decks, SD Decks used on a GHS Tractor, Rotary Broom Attachment and Snowblower Attachment.</p>			

NOTE: Refer to Electrical Connectors (Page 30) for identification of all Electrical Wiring Service Parts.

NOTE: Decals for this assembly are not shown here. Refer to Tractor Decals (Page 2) for Decal listing and placement information.

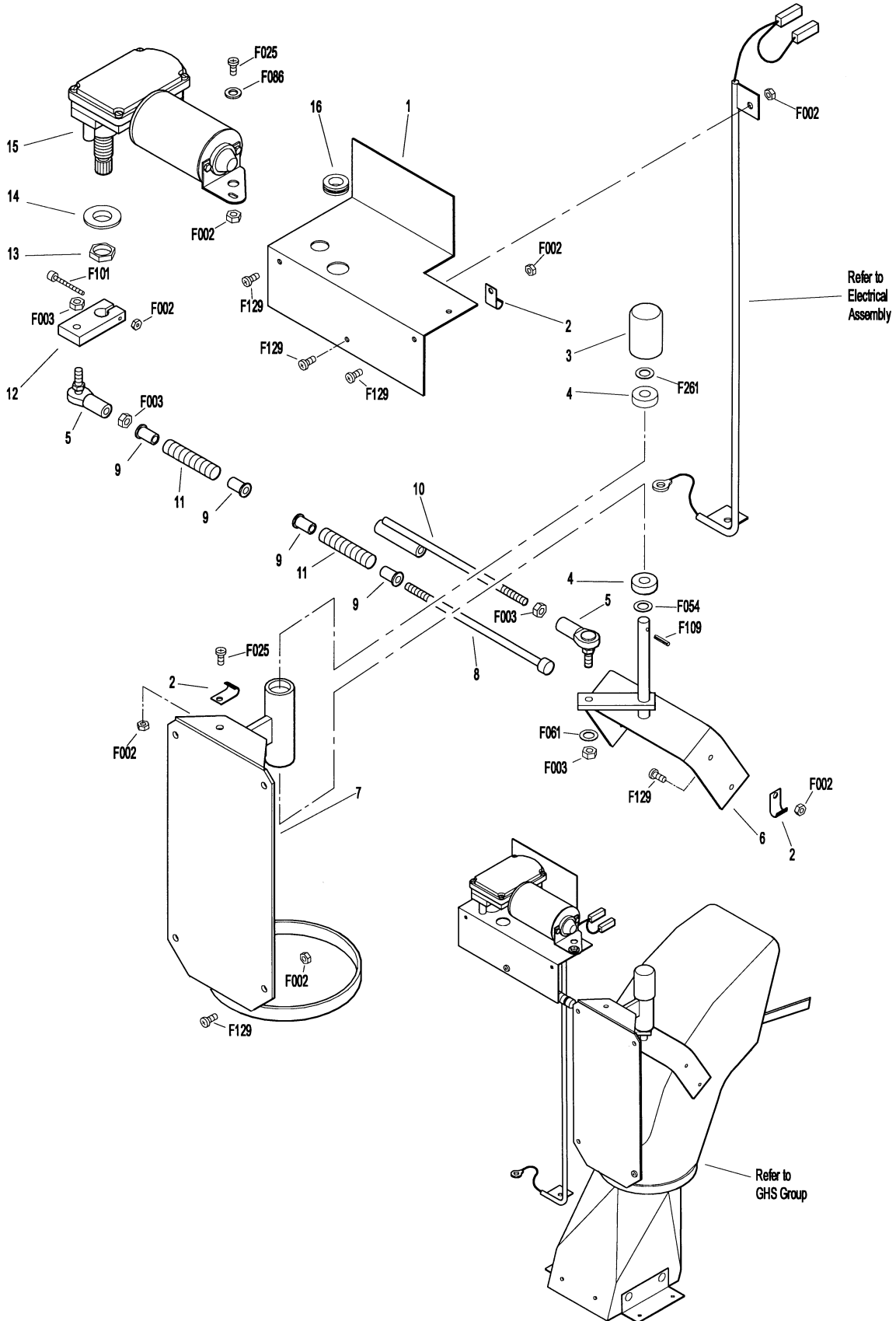
GHS GROUP



GHS POWERFIL® ASSEMBLY

ITEM NO.	PART NO.	DESCRIPTION	NO. REQ'D	ITEM NO.	PART NO.	DESCRIPTION	NO. REQ'D
GHS Powerfil® Assembly				Fasteners			
1	5557	Motor Mount, Powerfil®	1	F002		10-24 Keps Nut	14
2	5857	Wire Clamp (1/8 J-Clip)	3	F003		1/4-28 Hex Nut	4
3	5551-3	Bearing Cap, Powerfil®	1	F025		10-24 x 3/8 PPHMS	2
4	5551-1	Pivot Bearing (#S3PP)	2	F054		AN960616 Washer	1
5	5552	Ball Joint (1/4-28)	2	F061		1/4 Internal Star Lock Washer	1
6	5518-2	Pivot, Delivery Spout	1	F086		#10 SAE Washer	1
7	5517-2	Pivot Mount	1	F101		10-24 x 1-1/4 SHC Screw	1
8	5558-1	Powerfil® Push Rod	1	F109		1/8 x 5/8 Roll Pin	1
9	5553-3	Bushing, Powerfil® Actuator	4	F129		10-24 x 1/2 PTHMS	11
10	5558-2	Powerfil® Actuator Rod	1	F261		AN960616L Washer	1
	5549	Actuator Rod Assembly (Includes Items # 5, 8, 9, 10, 11 & F003)	*	* Service Part Only			
11	5553-1	Spring, Powerfil® Actuator	2	NOTE: Refer to Electrical Connectors (Page 30) for identification of all Electrical Wiring Service Parts.			
12	5554	Actuator Arm	1				
13	5519-3	Motor Mount Nut (5/8-24 Panel Nut)	*				
14	5519-2	Motor Mount Washer	*				
15	5519	Actuator Motor (12/24V) (Includes Items # 13 & 14)	1				
16	5977	Grommet (1/2 ID x 7/8 OD x 1/16)	1				

GHS POWERFIL® ASSEMBLY



GHS 6.7 BUSHEL CATCHER & EXHAUST DEFLECTOR ASSEMBLIES

ITEM NO.	PART NO.	DESCRIPTION	NO. REQ'D
----------	----------	-------------	-----------

Upper Baffle Screen Assembly (Removable)

1	7509-3	Channel Bottom	2
2	7505	Mustache Spring	2
3	6507	Screen Seal, 6.7 (24")	1
4	6856-1	Edge Molding, 6.7 (21-3/4)	1
5	7509-2	Channel Top	2
6	6512-2	Removable Screen (6.7)	1
7	7506	Knob	2
8	6509-4	C-Channel (6.7)	1

Exhaust Deflector Assembly

9	5504-1	Exhaust Deflector (Two Piece Set)	1
10	5504-8	Deflector Mount Doubler	2
11	5504-3	Hinge, Exhaust Deflector	1

GHS 6.7 Bushel Catcher Assembly

12	5584	Reinforcing Strap, Catcher Top	1
13	5510-1	6.7 Bushel Catcher, Including Door	1
	5502-1	6.7 Catcher, Without Powerfil® (Includes Door)	*
	5502-2	6.7 Catcher Assembly (Includes Powerfil®)	*
	5502-3	6.7 Catcher Assembly and Bumper Mount (Includes Bumper & Powerfil®)	*
14	5583	Handle	1
15	5514-10	Door Frame, Catcher (6.7)	1
16	5130	Side Strap, Door (6.7)	2
17	5155-12	5/16 Ball Stud	2
18	5588	Rubber Bumper (.75 OD x .50)	2
19	5147	Spring Clip, Gas Spring	4
20	5155	Catcher Gas Spring Assembly (Includes Items # 17, 19 & 22)	2
21	5524	Hinge Bearing	2
22	5155-13	3/4 Ball Stud	2
23	5523-6	Gas Spring Plate	2
24	5522-1	Hinge Backup Plate, LH	1
25	5503	Mounting Frame, Catcher (6.7)	1
26	5522-2	Hinge Backup Plate, RH	1
27	5513-1	Mounting Frame Doubler (6.7)	1
28	6508	Safety Latch Hinge	1
29	7533	Backing Plate, Handle	2
30	7532	Handle, Catcher Lift	2

ITEM NO.	PART NO.	DESCRIPTION	NO. REQ'D
----------	----------	-------------	-----------

5598 Optional Dump Bag (Not Shown)**

Fasteners

F002	10-24 Keps Nut	18
F004	1/4-20 Keps Nut	16
F009	5/16-18 Whiz Locknut	2
F020	5/16-18 ESNA Nut	2
F025	10-24 x 3/8 PPHMS	4
F027	10-24 x 5/8 PPHMS	4
F035	5/16-18 x 1-1/4 Hex Bolt	1
F037	10-24 x 5/8 PTH Screw	4
F049	5/16 SAE Washer	8
F061	1/4 Internal Star Lock Washer	2
F079	A/A66D Aluminum Pop Rivet	25
F085	3/16 Rivet Backup Washer	9
F129	10-24 x 1/2 PTHMS	4
F188	1/4-20 Self Locking Nut	17
F195	1/4-20 x 3/4 PPHMS SS	8
F196	1/4-20 x 1 PPHMS SS	2
F198	.625 x .250 x .040 Washer, SS	9
F203	1/4-20 x 5/8 PPHMS SS	4
F230	1/4-20 x 1-1/4 PPHMS SS	1
F242	1/4-20 x 7/8 PPHMS SS	14
F252	10-24 x 3/4 PPHMS	1
F255	5/16-18 x 1-1/2 Hex Bolt	1
F329	.260 ID x 1.939 OD Washer	2
F330	3/16 D x 21/32 L Rivet, SS	2
F333	1/4-20 x 3/4 PTHMS	4

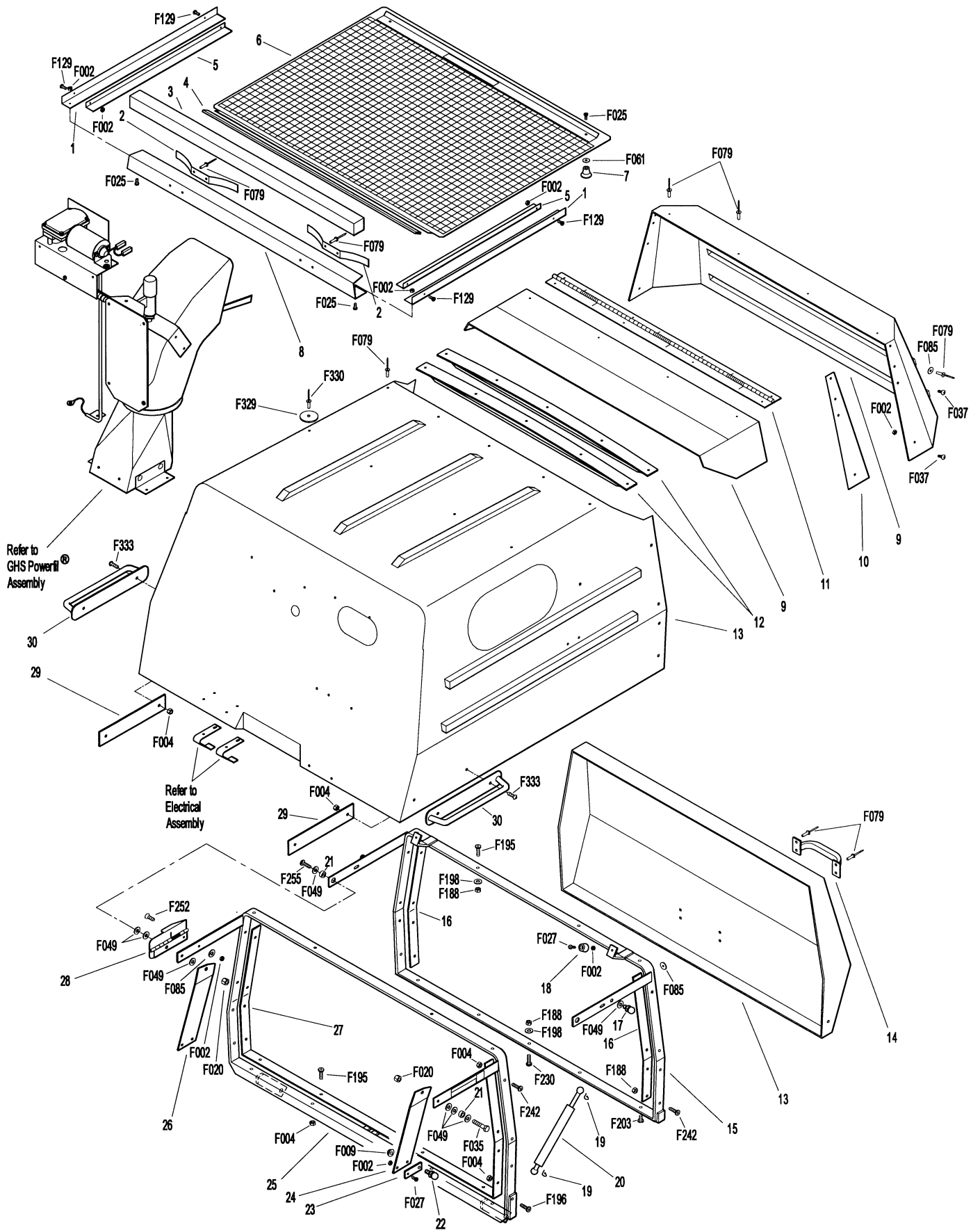
* Service Part Only

** Contact your Walker dealer to order Optional Dump Bag.

NOTE: The Removable Upper Baffle Screen is standard equipment on GHS models starting with Serial Number 97-29143 and on. Order kit P/N 6520 for installation on earlier models. Contact your Walker dealer.

NOTE: Decals for this assembly are not shown here. Refer to Tractor Decals (Page 2) for Decal listing and placement information.

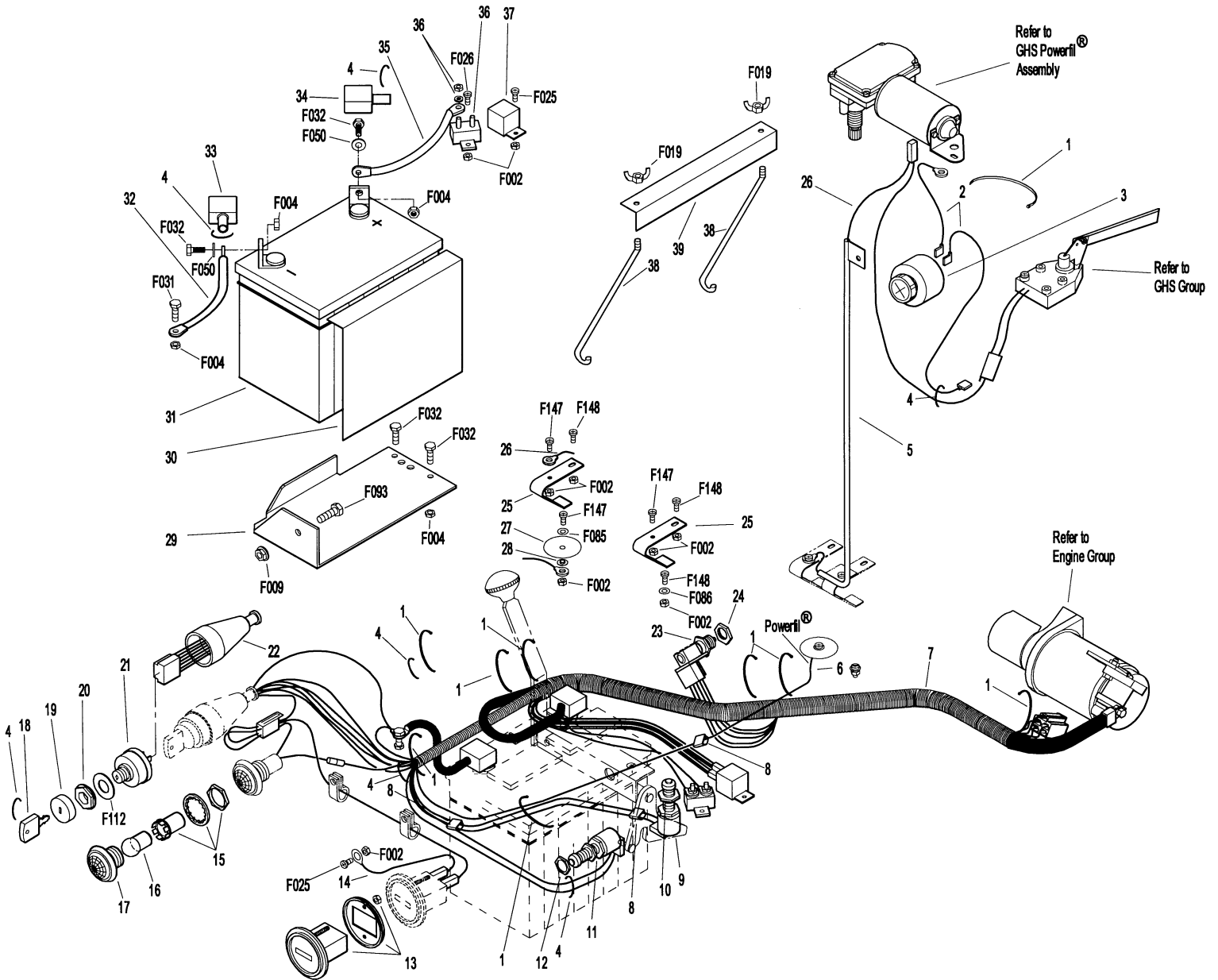
GHS 6.7 BUSHEL CATCHER & EXHAUST DEFLECTOR ASSEMBLIES



ELECTRICAL ASSEMBLY

ITEM NO.	PART NO.	DESCRIPTION	NO. REQ'D	ITEM NO.	PART NO.	DESCRIPTION	NO. REQ'D
Electrical Assembly				29	7390-1	Battery Pan	1
1	5975-3	Cable Tie (50# x 7")	9	30	6392	Battery Protector Plate	1
2	5599	Pigtail Wire Set, Horn	1*	31	5910	Battery (12V U1-SP30, Dry)	1
3	5536-2	Horn, Full Signal	**	32	6923	Negative Battery Cable	1
4	5975-1	Cable Tie (18# x 3-3/4")	7	33	5932	Battery Terminal Insul., Black (-)	1
5	5988-1	Conduit Assembly, Powerfil® Wiring	1	34	5933	Battery Terminal Insul., Red (+)	1
	5988-4	Powerfil® Tube & Wire Assembly (Includes Items # 5 & 26)	**	35	8943	Positive Battery Lead Wire	1
6	5983	Power Lead Wire, Body	1*	36	8941	Circuit Breaker (30 Amp) with Reset	1
7	6940-1	Wire Harness	1	37	6941	Relay Switch (30/40 Amp)	1
8	5975-5	Wire Clip, Self-Mount (SD Models use only 2)	3	38	5839	Hook Bolt	2
9	5941	Safety Switch (Normal Closed) (Includes Item # 10)	1	39	5844	Battery Hold-Down Bar	1
10	5941-1	Switch Boot (Fits P/N 5941)	**	Fasteners			
11	5942	Safety Switch (Normal Open) (Includes Item # 12)	1	F002	10-24 Keps Nut (SD Models use only 3)	9	
12	5942-1	Switch Boot (Fits P/N 5942)	**	F004	1/4-20 Keps Nut	5	
13	8990	Hourmeter	1	F009	5/16-18 Whiz Locknut	1	
14	5991-2	Hourmeter Ground Wire	1	F019	1/4-20 ESNA Wing Nut	2	
15	6996	Oil Pressure Light Assembly (Includes Items # 16 & 17)	1	F025	10-24 x 3/8 PPHMS	2	
16	8996-1	Indicator Bulb (Replacement for P/N 8996)	**	F026	10-24 x 1/2 PPHMS	1	
17	8996	Red Indicator Light (Includes Item # 16)	1	F031	1/4-20 x 5/8 Hex Bolt	1	
18	5960-2	Ignition Key (1 Set) (Includes Item # 4)	1	F032	1/4-20 x 3/4 Hex Bolt	4	
	5960-3	Key Tip Protector	1	F050	1/4 SAE Washer	2	
19	5960-6	Ignition Switch Cover	1	F085	3/16 Rivet Backup Washer	1	
20	5960-5	Nylon Nut, Ignition Switch	1	F086	#10 SAE Washer	1*	
21	5960	Ignition Switch (with Keys) (Includes Items # 18, 19, 20 & F112)	1	F093	5/16-18 x 1 Hex Bolt	1	
22	5940-3	Ignition Switch Cover	1	F112	5/8 x 1-1/4 x .03 Washer	1	
23	7942	Safety Switch (Includes Item # 24)	1	F147	10-24 x 1/2 PPHMS SS	3*	
24	7942-0	Nut, Safety Switch (Fits P/N 7942)	**	F148	10-24 x 3/8 PPHMS SS	3*	
25	5984	Electric Contact Spring	2*	* GHS Models Only			
26	5985-2	Power Lead Wire, Catcher	1*	** Service Part Only			
27	5982-1	Insulator Washer, Plastic (2")	1*	NOTE: Refer to Electrical Connectors (Page 30) for identification of all Electrical Wiring Service Parts.			
28	5982-2	Insulator Bushing, Plastic	1*	NOTE: Items # 3, 5 & 6 are Service Parts used exclusively on GHS Models.			
				NOTE: Decals for this assembly are not shown here. Refer to Tractor Decals (Page 2) for Decal listing and placement information.			

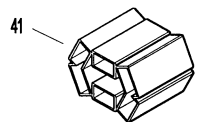
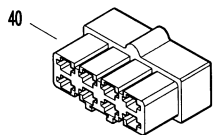
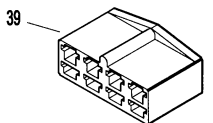
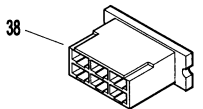
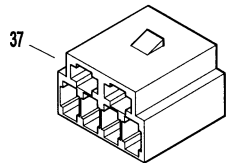
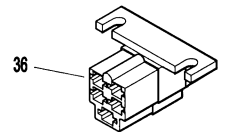
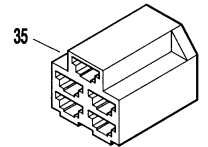
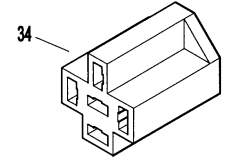
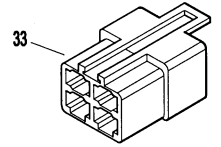
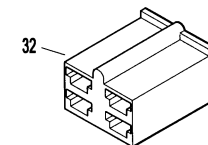
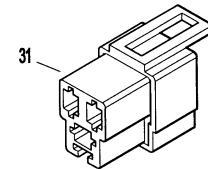
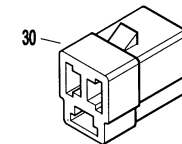
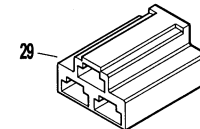
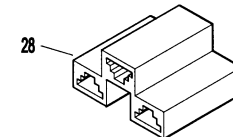
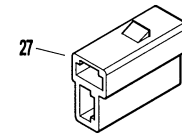
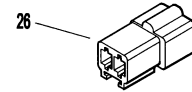
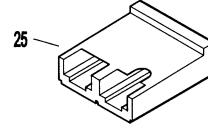
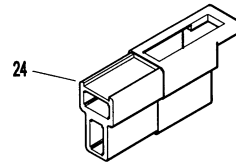
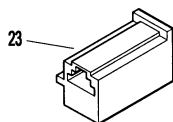
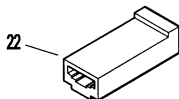
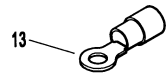
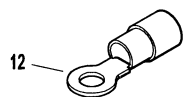
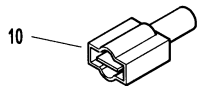
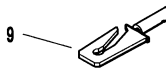
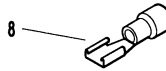
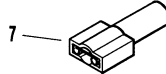
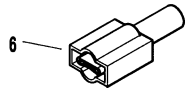
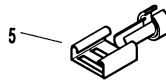
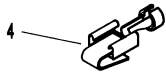
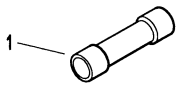
ELECTRICAL ASSEMBLY



ELECTRICAL CONNECTORS

ITEM NO.	PART NO.	DESCRIPTION	NO. REQ'D	ITEM NO.	PART NO.	DESCRIPTION	NO. REQ'D
Electrical Wiring Service Parts				24	7942-1	2-Way Locking Connector, Female	*
1	5996-1	16-14 GA Butt Conn.	*	25	7942-2	2-Way Connector, Male	*
2	5996-4	16-14 GA Bullet Conn., Male	*	26	7942-3	2-Way Connector, Female	*
3	5996-5	16-14 GA Bullet Conn., Female	*	27	7942-10	2-Way Locking Connector, Male	*
4	5940-4	16-14 GA Spg. Loaded Term., Female	*	28	5940-8	3-Way Connector, Male	*
5	5940-7	Brass Wire Clip, Female	*	29	7942-9	3-Way Connector, Male	*
6	5996	1/4 x 16-14 GA QKS Term., Female	*	30	8944	3-Way Locking Connector, Male	*
7	5996-2	3/16 x 22-18 GA QKS Term., Female	*	31	8944-1	3-Way Locking Connector, Female	*
8	7996	16-14 GA QKS Term., .187 (Female)	*	32	7942-11	4-Way Connector, Male	*
9	5940-5	16-14 GA Spg. Loaded Term., Male	*	33	7942-12	4-Way Connector, Female	*
10	5996-0	1/4 x 22-18 GA QKS Term., Male	*	34	7942-5	5-Way Connector, Male	*
11	7996-1	1/4 x 16-14 GA QKS Term., Male	*	35	5940-2	5-Way Connector, Male	*
12	5996-8	6 GA Ring Lug (5/16)	*	36	8942-1	5-Way Connector, Female	*
13	5996-9	22-18 GA Ring Term., #10	*	37	7942-6	6-Way Connector, Male	*
14	5996-10	16-14 GA Ring Term. (5/16)	*	38	7942-7	6-Way Connector, Male	*
15	5996-12	12-10 GA Ring Term. (5/16)	*	39	7942-8	8-Way Connector, Male	*
16	5996-13	16-14 GA Ring Term., #10	*	40	8942-2	8-Way Connector, Female	*
17	5996-15	12-10 GA Ring Term. (1/2)	*	41	8942-3	5-Way Connector, Male	*
18	5996-16	6 GA Ring Terminal (1/4)	*	* Service Part Only			
19	5996-17	16-14 GA Ring Term. (1/4)	*	NOTE: Not all Electrical Connectors are used with all assemblies.			
20	5996-20	12-10 GA Ring Term. (1/4)	*	NOTE: Refer to Electrical Assembly (Page 28) for locations of Wiring Harness and of all Electrical Wiring Service Parts.			
21	5996-21	12-10 GA Ring Term., #10	*				
22	7942-4	Single Connector, Male	*				
23	8942	2-Way Connector, Male	*				

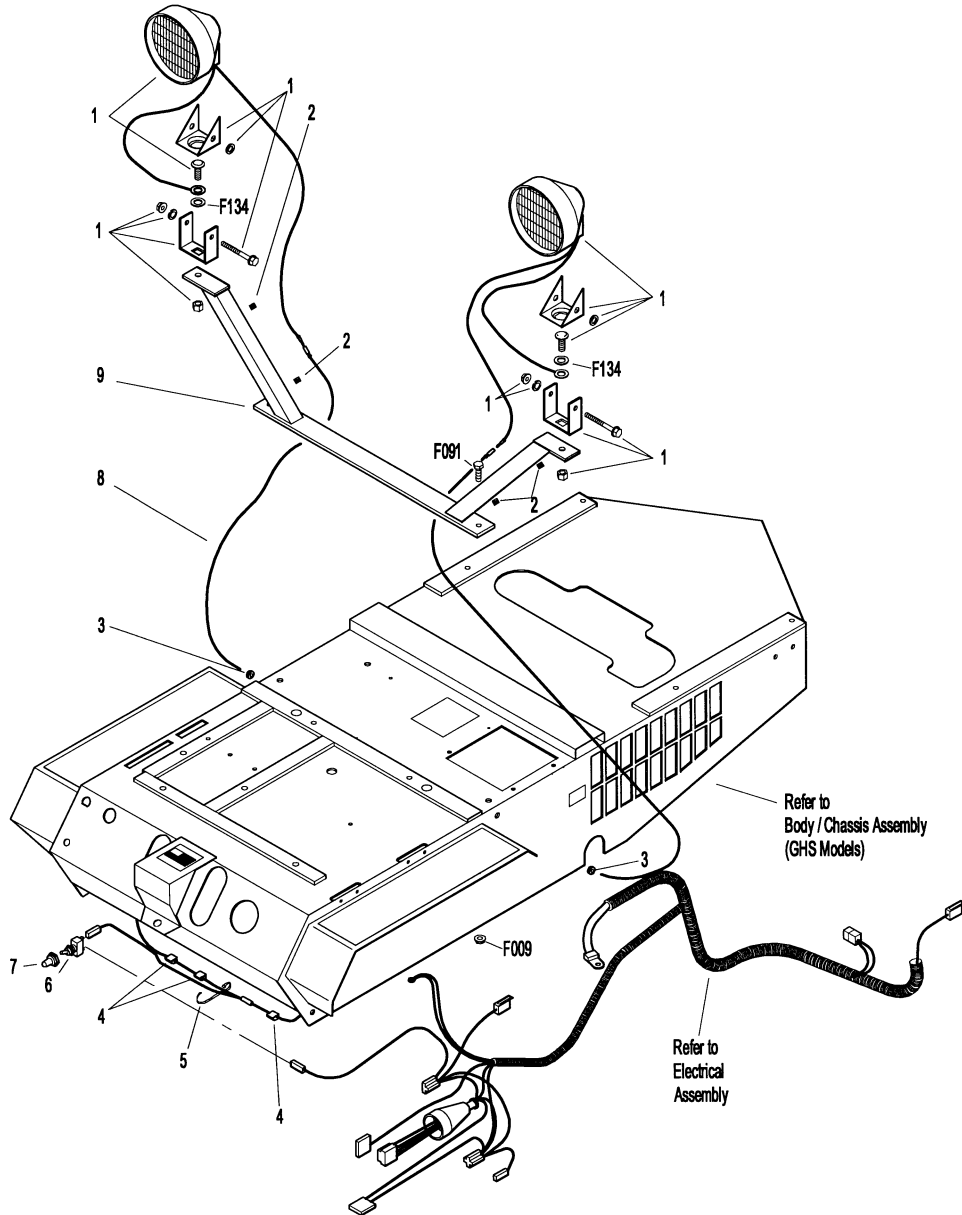
ELECTRICAL CONNECTORS



5989 LIGHT KIT

ITEM NO.	PART NO.	DESCRIPTION	NO. REQ'D	ITEM NO.	PART NO.	DESCRIPTION	NO. REQ'D
5989 Light Kit*				Fasteners			
1	5989-2	Light Assembly (Includes Sealed Beam Lamp)	2		F009	5/16-18 Whiz Locknut	2
	5989-6	Sealed Beam Lamp (Fits P/N 5989-2)	**		F091	5/16-18 x 5/8 Hex Bolt	2
2	7834-1	Half U-Wire Clip	4		F134	AN960816L Washer	2
3	5977-1	Grommet (1/8 x 3/8)	2	* May be ordered as a kit for dealer installation. Contact your Walker dealer.			
4	5975-5	Wire Clip, Self-Mount	3	** Service Part Only			
5	5975-1	Cable Tie (18# x 3-3/4")	**	NOTE: Upon installation of kit, Item # 3 replaces P/N 5989-4 (Dome Plug, 3/8), Item # 6 replaces P/N 5989-5 (Dome Plug, 7/16), and Item # F091 replaces P/N 5989-3 (Dome Plug, 5/16). Dome Plugs are not shown here. Refer to Body / Chassis Assembly (GHS Models), Page 4.			
6	5995	Toggle Switch (Off-On)	1	NOTE: Refer to Electrical Connectors (Page 30) for identification of all Electrical Wiring Service Parts.			
7	5995-2	Switch Boot	1				
8	7995-4	Power Lead Wire Assembly (Lights) (Includes Item # 5)	1				
9	7992	Mount Bracket, Lights	1				

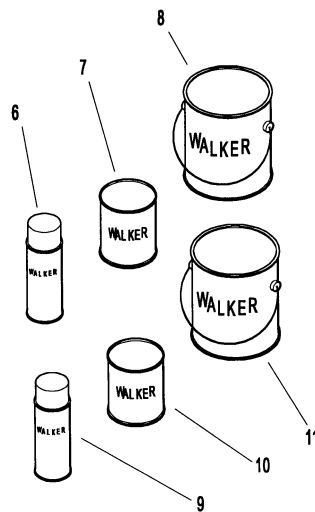
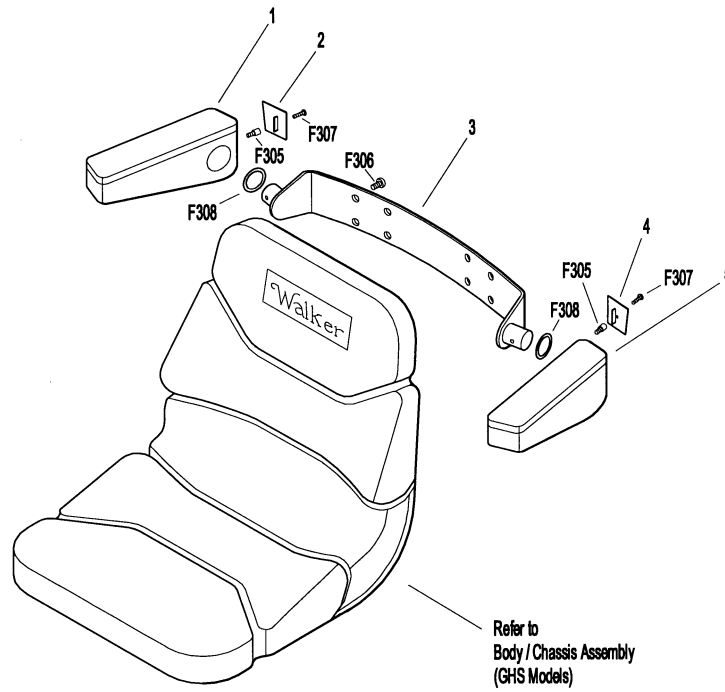
5989 LIGHT KIT



5885 ARMREST KIT & WALKER TOUCH-UP PAINT

ITEM NO.	PART NO.	DESCRIPTION	NO. REQ'D	ITEM NO.	PART NO.	DESCRIPTION	NO. REQ'D
5885 Armrest Kit*				10	5873	Touch-Up Paint, Grey (1 qt.)	
1	5886-1	Armrest, RH	1	11	5873-1	Touch-Up Paint, Grey (1 gal.)	
2	5886-3	Cover Plate, RH	1	Fasteners			
3	5887	Mounting Bracket	1	F305		1/4-20 x 3/8 SH Cap Screw	2
4	5886-4	Cover Plate, LH	1	F306		3/8-16 x 3/4 Hex Bolt	4
5	5886-2	Armrest, LH	1	F307		#10 x 5/8 PPHST Screw	2
	5888	Armrest Hardware Kit (Includes Items # F305, F306, F307 & F308)	**	F308		1-1/4 x 1-5/8 Wave Spring Washer	2
Walker Touch-Up Paint***				* May be ordered as a kit for dealer installation. Contact your Walker dealer.			
6	5866	Touch-Up Paint, Yellow (12 oz. Aerosol)		** Service Part Only			
7	5871	Touch-Up Paint, Yellow (1 qt.)		*** Service Part Only, Walker Touch-Up Paint is not included with any replacement parts or kits and must be ordered separately.			
8	5871-1	Touch-Up Paint, Yellow (1 gal.)					
9	5867	Touch-Up Paint, Grey (12 oz. Aerosol)					

5885 ARMREST KIT & WALKER TOUCH-UP PAINT



8072 ALL-TERRAIN TIRE KIT & TIRE CHAIN SETS

ITEM NO.	PART NO.	DESCRIPTION	NO. REQ'D
----------	----------	-------------	-----------

8072 All-Terrain Tire Kit*

1	8070-4	Wheel Spacer Plate (1/2)	2**
2	8071	All-Terrain Wheel & Tire, LH (18 x 11.00-10)	1
3	8070	All-Terrain Wheel & Tire, RH (18 x 11.00-10)	1
	8070-1	AT Tire Only (18 x 11.00-10)	***
	8070-2	AT Wheel Only (10 x 8.5)	***

Optional Tire Chain Sets**

4	5675-2	Tire Chain Set (18 x 8.50-8) (Includes Item # 1) (For use with Wide Wheel & Tire Assy)	1
	5675	Tire Chain Set (18 x 6.50-8) (Includes Item # 1)	1

ITEM NO.	PART NO.	DESCRIPTION	NO. REQ'D
----------	----------	-------------	-----------

(For use with Optional Narrow Drive Tires)

Fasteners

	F157	1/2-20 x 1-1/4 Wheel Lug Bolt	8
--	------	-------------------------------	---

* May be ordered as a factory-installed option or as a kit for dealer installation. Contact your Walker dealer.

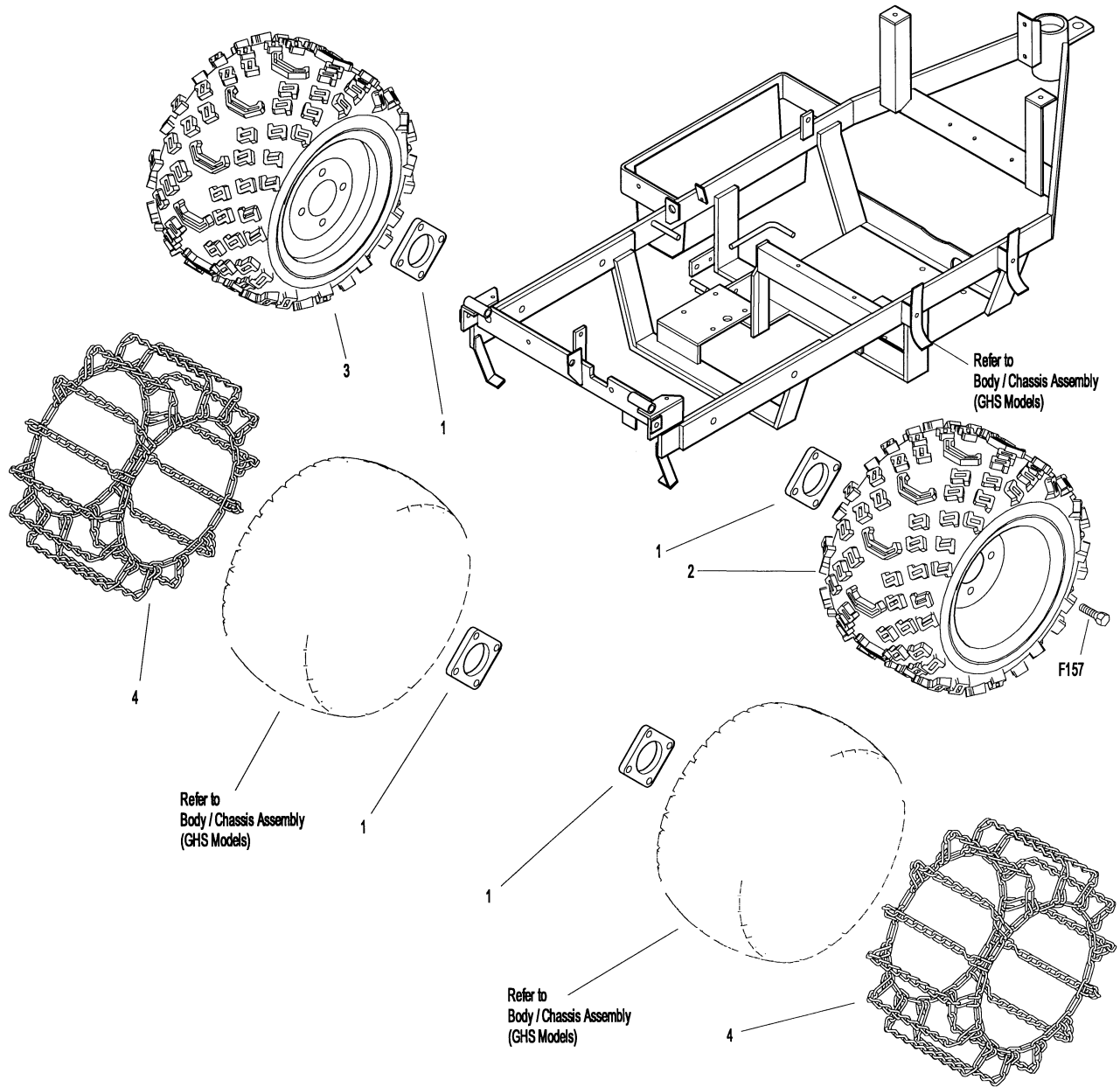
** Wheel Spacer Plates (Item 1) are included with Tire Chain Sets as well as with 8072 All-Terrain Tire Kit.

*** Service Part Only

NOTE: Item F157 is reused from Body / Chassis Assembly (GHS Models) and is not included with P/N 8072. Refer to Body / Chassis Assembly (GHS Models), Page 4.

NOTE: Tire Chain Sets are not for use on All-Terrain Tires. Use only with tires listed at Item 4. Refer also to Body / Chassis

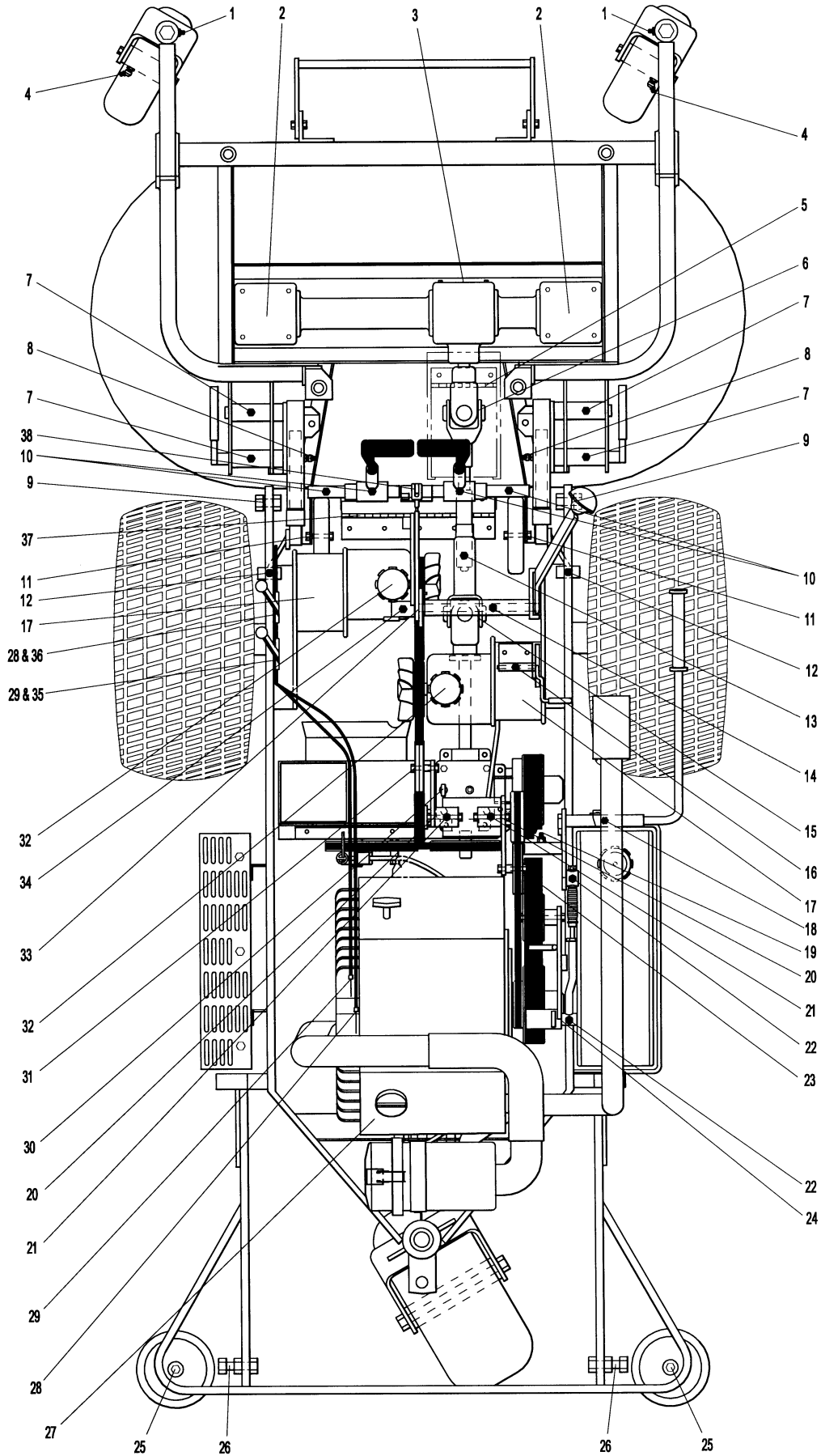
8072 ALL-TERRAIN TIRE KIT & TIRE CHAIN SETS



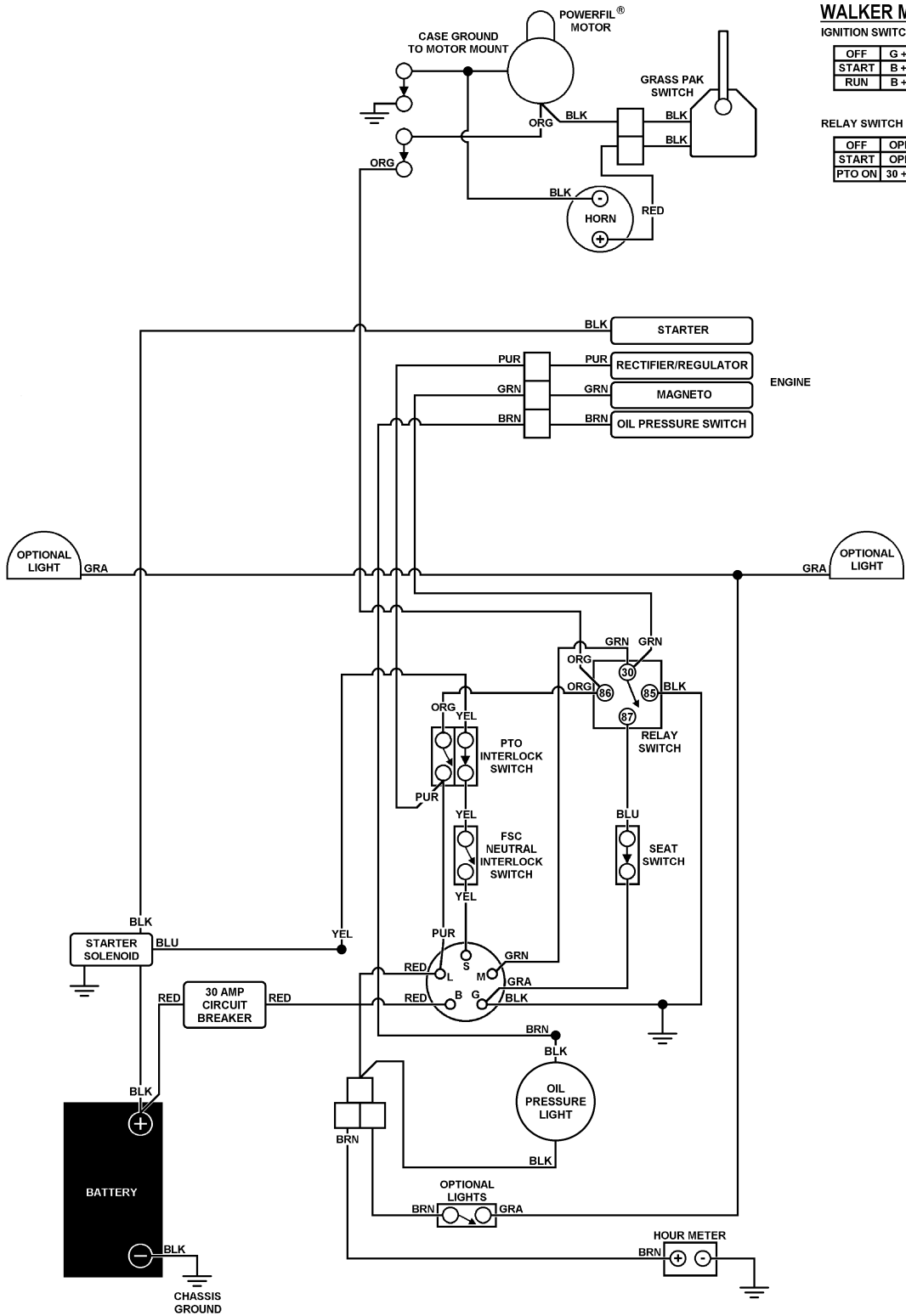
LUBRICATION POINTS

ITEM NO.	LOCATION	LUBRICATION TYPE	NO. PLACES	ITEM NO.	LOCATION	LUBRICATION TYPE	NO. PLACES
Lubrication Points				27	Engine Oil Filler	Oil***	1
1	Deck Caster Wheel Fork Pivot	Grease	2	28	Throttle Control Cable Ends	Oil	2
2	Blade Drive Gearbox	Oil*	2	29	Choke Control Cable Ends	Oil	2
3	Tee Gearbox, Deck	Oil*	1	30	PTO Gearbox Dipstick	Oil	1
4	Deck Caster Wheel Bearing	Grease	2	31	Ground Drive Idler Pulley	Oil	2
5	PTO Shaft Guard Hinge	Oil	1	32	Hydrostatic Drive	Oil***	2
6	Universal Joint Shaft Assembly	Grease**	1	33	FSC Lever Fork (Grease Slide Area)	Grease	1
7	Pivot Assembly, Tilt-Up Deck	Grease	4	34	(FSC) Friction Body Pivot	Grease	1
8	Deck Support Arm Socket	Grease	2	35	Choke Control Pivot	Oil	1
9	Body Hinge Point	Oil	2	36	Throttle Control Pivot	Oil	1
10	Steering Lever Pivot	Grease	4	37	Discharge Chute Hinge	Oil	1
11	Deck Roller Wheel	Oil	2	38	FSC Actuator Rod Pivot Pins	Oil	2
12	Deck Support Arm Pivot	Grease	2				
13	Deck-to-PTO Coupling	Grease	1	* Gearboxes are permanently lubricated and sealed requiring no scheduled lubrication. Oil level should be checked only when an oil leak is noted.			
14	FSC Lever Pivot	Grease	1	** Grease every eight (8) hours.			
15	Universal Joint Tube Assembly	Grease**	1	*** See Owner's Manual for procedure for checking and changing oil in Engine Crankcase, Hydrostatic Transmissions, and Gear Axles.			
16	Parking Brake Lever	Grease	1	NOTE: See Model MC Twin Owner's Manual (P/N 6000-1) for proper lubrication intervals.			
17	Gear Axle	Oil***	2	NOTE: DGHS42 Tilt-Up Deck is shown for reference. For other Deck Lubrication Points, Refer to Carrier Frame and Deck Illustrated Parts Manual.			
18	Clutch Lever	Grease	1				
19	Brake Actuator	Grease	1				
20	Idler Arm Pivot	Oil	2				
21	Jackshaft Bearings	Grease	2				
22	Clutch Actuator Push Rod	Grease	2				
23	Transmission Belt Tightener Arm Idler Pulley	Grease	1				
24	Clutch Actuator Needle Bearing	Grease	1				
25	Anti-Scuff Roller Wheel	Oil	2				
26	Catcher Hinge Point	Oil	2				

LUBRICATION POINTS



WIRING SCHEMATIC



WALKER MODEL MC TWIN

IGNITION SWITCH CIRCUITS

OFF	G + M
START	B + S
RUN	B + L

S = START CIRCUIT
M = MAGNETO GROUND CIRCUIT
B = BATTERY CIRCUIT
L = ACCESSORY CIRCUIT
G = CASE GROUND

RELAY SWITCH CIRCUITS

OFF	OPEN
START	OPEN
PTO ON	30 + 87

LIMITED WARRANTY FOR WALKER COMMERCIAL RIDER MOWER

1. WHAT THIS WARRANTY COVERS, AND FOR HOW LONG:

Walker Manufacturing company will, at its option, repair or replace, without charge, any part covered by this warranty which is found to be defective in material and/or workmanship within one (1) year* after date of sale to the original retail purchaser unless the product is used for rental purposes, in which case this warranty is limited to ninety (90) days. At Walker's request, customer will make the defective part available for inspection by Walker and/or return the defective part to Walker, transportation charges prepaid. All parts and components of the Walker Mower are covered by this warranty **except** the following components which are warranted separately by their respective manufacturers:

Kohler Engine
Kubota Engine
Kawasaki Engine
Eaton Hydraulic Transmission
Peerless Gearboxes
Battery
Tires

The available warranties covering these items are furnished with each mower. Walker does not assume any warranty obligation, liability or modification for these items, which are covered exclusively by the stated warranty of the respective manufacturers noted above.

* An extended three (3) year warranty is offered on the Walker P/N 6200 Gear Axle Assembly.

2. WHAT THIS WARRANTY DOES NOT COVER:

- A. This warranty does not cover defects caused by depreciation or damage caused by normal wear, accidents, improper maintenance, improper use or abuse of the product, alterations, or failure to follow the instructions contained in the Owner's Manual for operation and maintenance.
- B. The customer shall pay any charges for making service calls and/or for transporting the mower to and from the place where the inspection and/or warranty work is performed.

3. HOW TO OBTAIN SERVICE UNDER THIS WARRANTY:

Warranty service can be arranged by contacting the dealer where you purchased the mower or by contacting Walker Manufacturing Company, 5925 East Harmony Road, Ft. Collins, CO 80528. Proof of the date of purchase may be required to verify warranty coverage.

4. WARRANTY LIMITATION:

- A. **THERE IS NO OTHER EXPRESS WARRANTY. ANY WARRANTY THAT MAY BE IMPLIED FROM THIS PURCHASE INCLUDING MERCHANTABILITY AND FITNESS FOR A PARTICULAR PURPOSE IS HEREBY LIMITED TO THE DURATION OF THIS WARRANTY AND TO THE EXTENT PERMITTED BY LAW ANY AND ALL IMPLIED WARRANTIES ARE EXCLUDED.** Some states do not allow limitations on how long an implied warranty lasts, so the above limitations may not apply to you.
- B. **WALKER WILL NOT BE LIABLE FOR ANY INCIDENTAL, CONSEQUENTIAL, OR SPECIAL DAMAGES AND/OR EXPENSES IN CONNECTION WITH THE PURCHASE OR USE OF THE MOWER.** Some states do not allow the exclusion or limitation of incidental or consequential damages, so the above limitation(s) or exclusion(s) may not apply to you.
- C. Only the warranty expressed in this limited warranty shall apply and no dealer, distributor, or individual is authorized to amend, modify, or extend this warranty in any way. Accordingly, additional statements such as dealer advertising or presentations, whether oral or written, do not constitute warranties by Walker, and should not be relied upon.
- D. This warranty gives you specific legal rights, and you may also have other rights which vary from state to state.

WALKER MOWERS™

WALKER MFG. CO. • 5925 E. HARMONY ROAD, FORT COLLINS, CO 80528 • (970) 221-5614
FORM NO. 021298 PRINTED IN USA ©1998 WALKER MFG. CO