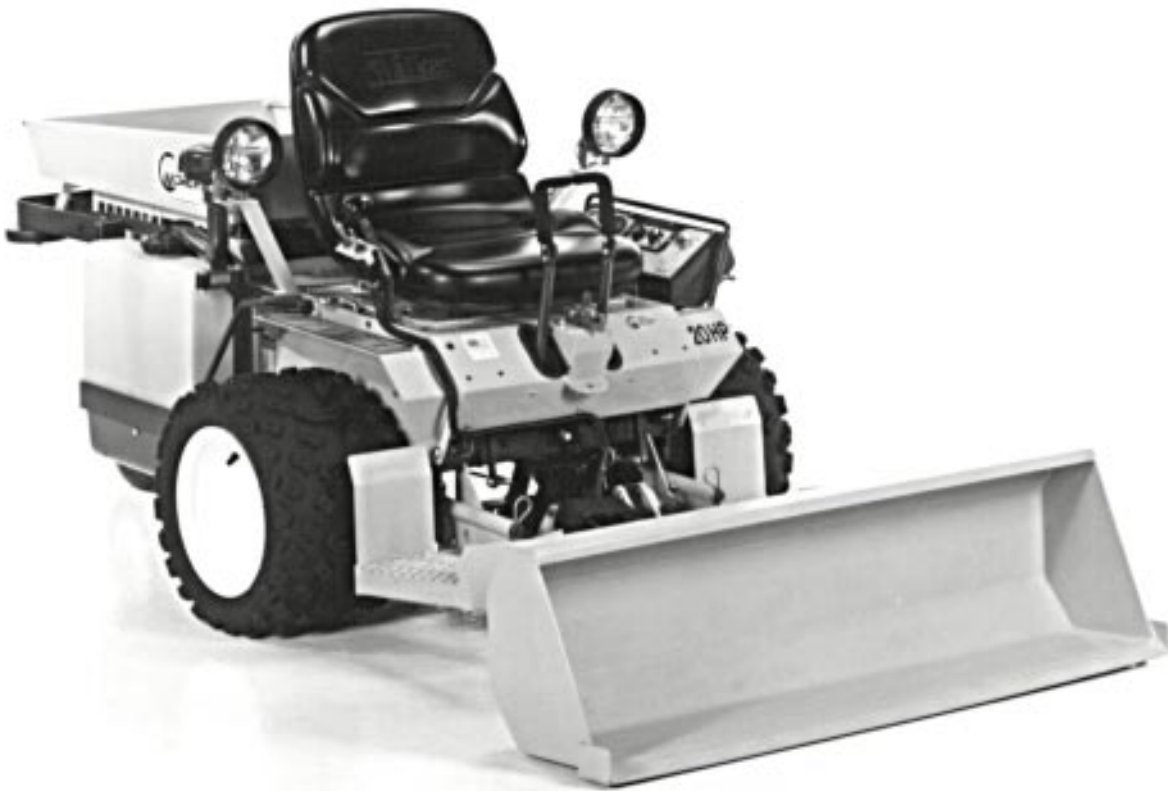


Walker Loader Bucket

OPERATOR'S AND PARTS MANUAL



Please Read and Save These Instructions

For Safety, Read all Safety and Operation
Instructions Prior To Operating Machine

P/N 6690

TABLE OF CONTENTS

Introduction	2
Safety Precautions	2
The Implement	2
General Preparation	3
Operating the Implement	3
The Tractor	4
Operating the Tractor	4
Maintenance and Storage	4
Operating Instructions	5
Loader Bucket Tilt	5
Loader Bucket Lift	5
Loader Bucket Float	5
Counter Balance	5
Additional Traction	6
Tractor Speed Recommendations	6
Maintenance	6
Storage	6
Assembly	
Step 1 Loader Bucket Assembly	7
Step 2 Mounting Implement Adapter Mount Plates	9
Step 3 Mounting Loader Bucket onto Implement Adapter	10
Step 4 Adjusting Implement Adapter	10
Step 5 Wiring Loader Bucket	11
Decals	13
Parts Breakdown	14

INTRODUCTION

TO THE PURCHASER

The loader bucket was carefully designed to give years of dependable service.

Implement adapter (P/N 6625) is required to use this implement.

This manual has been provided to assist in the safe operation and service of your loader bucket.

Note: All photographs and illustrations in the manual may not necessarily depict the actual models or equipment, but are intended for reference only and are based on the latest product information available at the time of publication.

Familiarize yourself fully with the safety recommendations and operating procedures before putting the machine to use. Carefully read, understand and follow these recommendations and insist that those who work with you follow them.



THIS SAFETY ALERT SYMBOL IDENTIFIES IMPORTANT SAFETY MESSAGES IN THIS MANUAL. WHEN YOU SEE IT, BE ALERT TO THE POSSIBILITY OF PERSONAL INJURY AND CAREFULLY READ THE MESSAGE THAT FOLLOWS.

Right hand and left hand are determined by sitting on the tractor seat facing forward.

Record your implement serial number. Your WALKER dealer requires this information to give you prompt, efficient service when ordering parts or implements. Service with genuine WALKER parts when replacement parts are required.

Serial Number _____

Date Purchased _____

SAFETY PRECAUTIONS

WHENEVER YOU SEE THIS SYMBOL



IT MEANS:

ATTENTION!

BECOME ALERT!

YOUR SAFETY IS INVOLVED!

The signal word "WARNING" indicates that a source of danger to a person on or near a machine exists which may result in death or injury if the recommended precautions are not taken.

A CAREFUL OPERATOR IS THE BEST OPERATOR. MOST ACCIDENTS CAN BE AVOIDED BY OBSERVING CERTAIN PRECAUTIONS. READ AND TAKE THE FOLLOWING PRECAUTIONS BEFORE OPERATING THIS IMPLEMENT TO HELP PREVENT ACCIDENTS. EQUIPMENT SHOULD BE OPERATED ONLY BY THOSE WHO ARE RESPONSIBLE AND INSTRUCTED TO DO SO.

THE IMPLEMENT

1. Read this manual carefully to acquaint yourself with the equipment as well as the tractor Operator's Manual. Working with unfamiliar equipment can lead to accidents. Be thoroughly familiar with the controls and proper use of the equipment. Know how to stop the unit and disengage the controls quickly.

2. Properly tighten all mounting hardware and check that all pins are secure.

3. Periodically inspect all moving parts for wear and replace with authorized service parts if an excessive amount of wear is present.

4. Replace the missing, illegible, or damaged warning decal. See the warning decal in the decal section.

5. Do not modify or alter this equipment or any of its components, or any equipment function. Any modification may cause personal injury to the operator, damage the implement or tractor, and void the warranty.

6. Keep the warning decal clean of dirt and grime.

GENERAL PREPARATION

1. Clothing worn by the operator should be fairly tight and belted. Loose clothing should not be permitted because of the danger of getting into moving parts.

2. Prolonged exposure to loud noise can cause impairment or loss of hearing. Wear a suitable hearing protective device such as earmuffs or earplugs to protect against objectionable or uncomfortable noises.

3. Do not operate the implement barefoot or wearing sandals, sneakers, tennis shoes or similar lightweight footwear. Wear substantial protective footwear.

OPERATING THE IMPLEMENT

THE FOLLOWING PRECAUTIONS ARE SUGGESTED BEFORE OPERATING THE IMPLEMENT TO HELP PREVENT ACCIDENTS.

1. Never allow anyone to ride on the implement.

2. Clear the area of people before commencing operation.

3. Never allow children to operate equipment. Never allow adults to operate equipment without proper instruction.

4. Never allow anyone in front of or beside the unit.

5. Never leave implement in raised position.

6. Never operate the implement without good visibility and lighting.

7. Take all possible precautions when leaving the tractor unattended. Lower the implement, place the ground speed control lever to neutral-park, set the parking brake, stop the engine and remove the key.

8. Disengage power to implement when transporting or when not in use.

9. The operator must never get off the tractor while it is in motion.

10. Exercise extreme caution when operating on or crossing gravel drives, walks or roads. Stay alert for the hidden hazards of traffic.

11. Never operate machine at high transport speeds on a slippery surface.

12. Use care when backing up.

13. After striking a fixed object, stop the engine, wait for all movements to stop, thoroughly inspect the implement for damage and repair the damage before restarting and operating the implement.

14. Exercise extreme caution when changing direction on slopes. Use care when operating on steep grades to maintain proper stability.

THE TRACTOR

1. Read the Operator's Manual carefully before using tractor. Lack of operating knowledge can lead to accidents.
2. Do not permit anyone but the operator to ride on the tractor. There is no safe place for extra riders.

OPERATING THE TRACTOR

1. Never start the engine while standing beside the tractor. Always sit on the tractor seat while starting the engine or operating controls.
2. Never run the tractor engine in a closed building without adequate ventilation, as the exhaust fumes are very dangerous.
3. Never allow an open flame near the fuel tank or battery.
4. Use an SMV (slow moving vehicle) emblem and the flasher warning lamps when traveling on public roads, day or night, unless prohibited by law in your state.
5. Always bring the tractor to a complete stop and shut off the engine before getting off the tractor.
6. Never park the tractor on a steep incline.
7. Use care when operating on steep grades to maintain proper stability.
8. Use of tire chains and rear weight for better traction and stability is recommended.
9. Always drive the tractor at speeds compatible with safety, especially when operating over rough ground, crossing ditches, or when turning.
10. Handle fuel with care, as it is highly flammable.
 - a) Use approved fuel container.
 - b) Never add fuel to a running engine or a hot engine.
 - c) Fill fuel tank outdoors with extreme care. Never fill fuel tank indoors.
 - d) Replace fuel cap securely and wipe up spilled fuel.

MAINTENANCE AND STORAGE

1. Provide adequate blocking before working under the implement when in raised position.
2. Make certain all moving parts have stopped before cleaning, repairing or inspecting.
3. Do not run engine indoors.
4. Do not attempt to repair or attempt maintenance when the tractor engine is running, or when the implement is raised without adequate blocking.

OPERATING INSTRUCTIONS

The loader bucket was designed to excavate in loose soils, aggregates and for snow removal. It will allow your WALKER tractor to transport many different materials with ease. Its operation is simple but for complete satisfaction it is important that you read and understand all safety and operational instructions before operating the equipment.



WARNING

To avoid personal injury, keep people and pets a safe distance away.



WARNING

To avoid personal injury, always turn engine off and wait for all movement to stop, disconnect wiring harnesses from actuator motors before cleaning, making any repairs or adjustments.

LOADER BUCKET TILT

Refer to Figure 1

The bucket is able to tilt in various positions to allow for excavation, forward grading, back dragging or transport. The tilt is activated by operating the front toggle switch located on the forward speed control arm to the right of the tractor seat. Moving the toggle forward tilts the bucket down, and moving the toggle rearward tilts the bucket up.

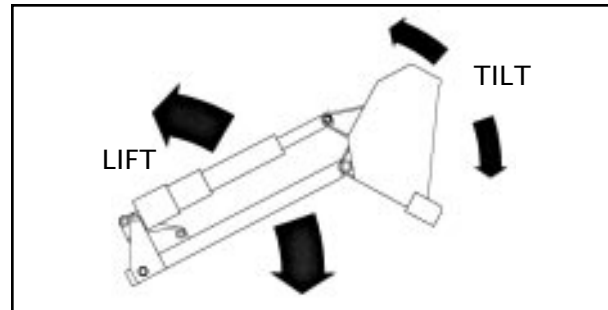


FIGURE 1

LOADER BUCKET LIFT

Refer to Figure 1

The loader bucket is raised and lowered by operating the back toggle switch located on the forward speed control arm to the right of the tractor seat. Moving the toggle forward lowers the bucket, and moving the toggle rearward raises the bucket.

LOADER BUCKET FLOAT

The loader bucket may be pinned to float over the terrain or pinned to provide constant down pressure. Pinning options are described in Loader Bucket Assembly section, Step 1, part d.

COUNTER BALANCE



WARNING

A counter balance weight is required for operating this attachment.

Do not attempt to use this attachment without a minimum counter balance weight of 140 pounds securely positioned at the back end of the tractor.

ADDITIONAL TRACTION

Tire chains are recommended to increase the tractor traction when operating in snow.

TRACTOR SPEED RECOMMENDATIONS

For maximum power, set the engine speed control in FAST (full power) position. Use the forward speed control arm to control the ground speed. Operate this attachment at only SLOW or MEDIUM ground speeds. Refer to the recommendations listed below.

Slow Speed - Excavation and loading the bucket

Medium Speed - Transporting materials



WARNING

Do not operate this implement at a fast ground speed with the loader bucket in a lowered position. A collision with a fixed object may throw you from the seat.

MAINTENANCE

Lubricate back pivot shaft of tongue by the grease fitting (Fig. 2), lubricate front pivot shaft and clevis / bent arm pins by applying a light film of grease every 50 hours of operation or monthly.

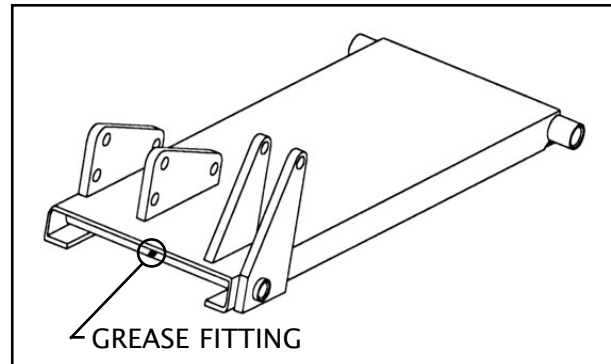


FIGURE 2

STORAGE

If the implement is to be stored for an extended period of time, it is advisable to clean the loader bucket thoroughly, repaint all parts from which paint has worn, coat all exposed surfaces and pins with a SAE 30 engine oil and place the loader bucket on boards or blocks off the ground in a sheltered area.

ASSEMBLY

STEP 1: LOADER BUCKET ASSEMBLY

a) Position the tongue (Fig. 3, Item 1) between the two bottom pivot brackets on the bucket (Fig. 3, Item 2).

b) Lining up the holes, insert the 3/4" pivot pin (Fig. 3, Item 3). Place the 3/4" ID flat bushing (Fig. 3, Item 4) over each end of the 3/4" pivot pin, insert the 1-1/4" cotter pins (Fig. 3, Item 5) into the hole at each end of the 3/4" pivot pin and secure.

c) Position the bottom front hole of one of the independent brackets (Fig. 4, Item 6) on the inside of the left vertical lift bracket of the tongue with a 1/2" ID flat bushing (Fig. 4, Item 7) between the two. Insert clevis pin (Fig. 4, Item 8) into the holes, align the independent bracket bushing (Fig. 4, Item 9) and insert the clevis pin through the bushing, align the other independent bracket and insert the clevis pin, align a 1/2" ID flat bushing (Fig. 4, Item 7) between the right independent bracket and the right vertical lift bracket of the tongue and insert the clevis pin through the assembly, place a 1/2" ID flat bushing (Fig. 4, Item 7) over the end of the clevis pin and secure with a 1" cotter pin (Fig. 4, Item 10).

d) Pinning options for loader bucket float

1. For the loader bucket to float over the terrain Insert bent arm pin (Fig. 4, Item 11) into the top holes of the vertical lift brackets of the tongue, penetrating the slots of the two independent brackets, place a 1/2" ID flat bushing (Fig. 4, Item 7) over the end of the bent arm pin and secure with a 1" hair spring cotter pin (Fig. 4, Item 12).

OR

2. For the loader bucket to provide constant down pressure Insert the bent arm pin (Fig. 4, Item 11) into the back bottom hole of the vertical lift brackets of the tongue penetrating the back bottom holes of the two independent brackets, place a 1/2" ID flat bushing (Fig. 4,

Item 7) over the end of the bent arm pin and secure with a 1" hair spring cotter pin (Fig. 4, Item 12).

e) Align the actuator (Fig. 3, Item 13) back mounting hole with the tongue actuator mount, insert bent arm pin (Fig. 3, Item 14) into the holes, place a 1/2" ID flat bushing (Fig. 3, Item 7) over the end of the bent arm pin and secure with a 1" cotter pin (Fig. 3, Item 10). Align the actuator front mounting hole with the bucket actuator brackets, insert bent arm pin (Fig. 3, Item 15) into the holes, place a 1/2" ID flat bushing (Fig. 3, Item 7) over the end of the bent arm pin and secure with a 1" cotter pin (Fig. 3, Item 10).

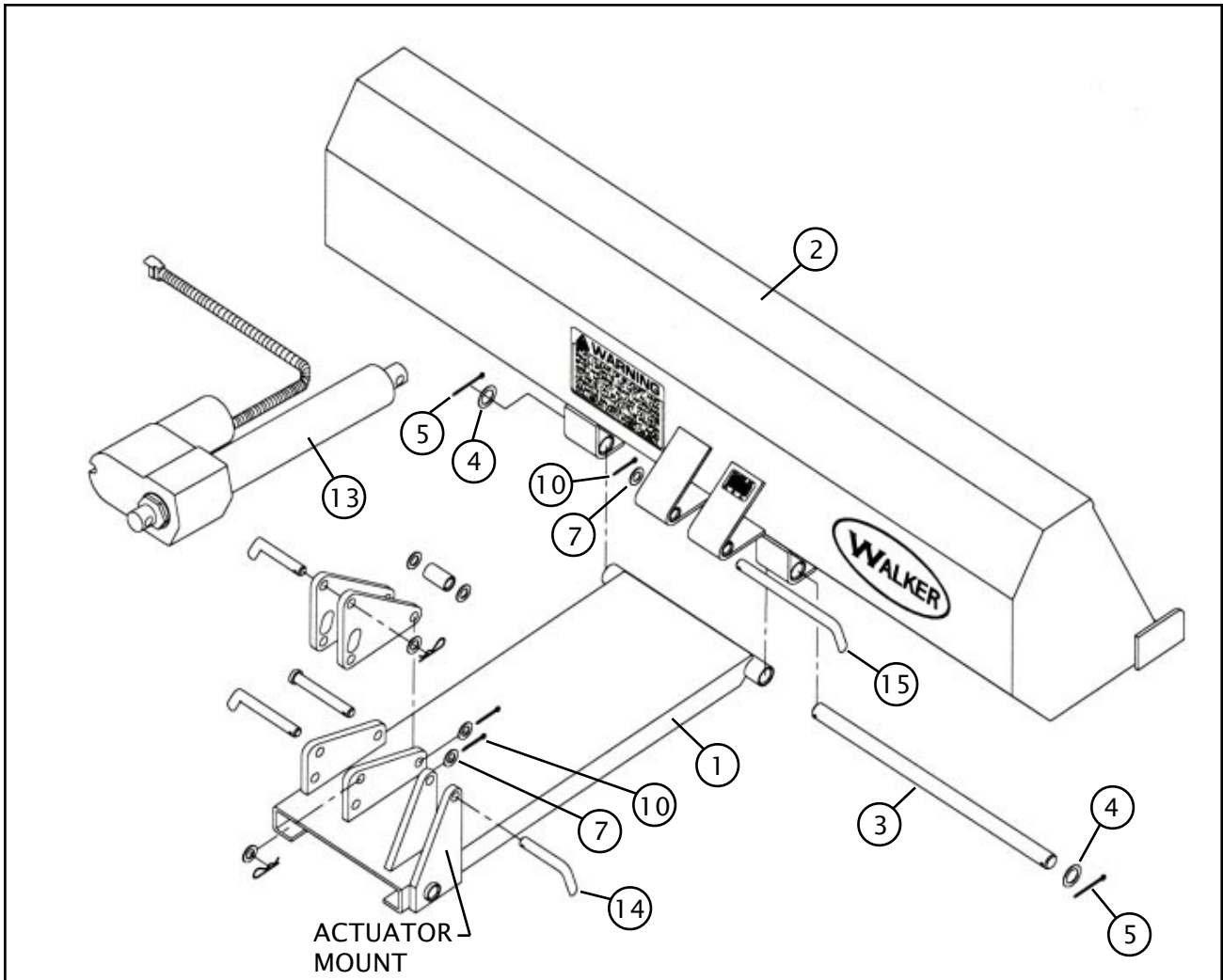


FIGURE 3

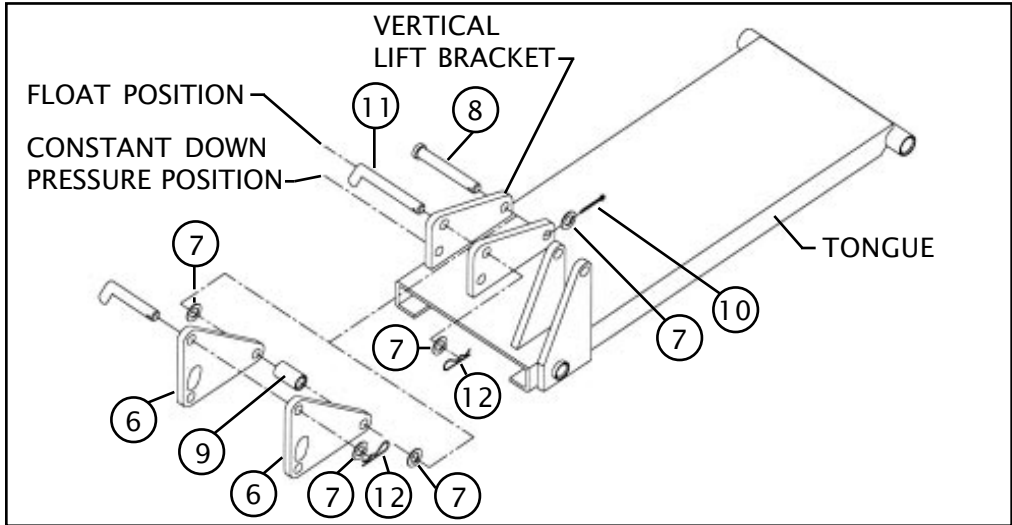


FIGURE 4

STEP 2: MOUNTING IMPLEMENT ADAPTER MOUNT PLATES

NOTE: Procedure "c" is not necessary if your implement adapter is equipped with the necessary holes. Refer to Photo 2 for hole configuration.

a) Remove clevis pin (Photo 1, Item 16) from the actuator pivot crank (Photo 1, Item 17) of the implement adapter (Photo 1 Item 18).

b) Remove 5/8" dia. pivot pin (Photo 1, Item 19) from the implement adapter (Photo 1, Item 18) and remove the quick hitch (Photo 1, Item 20).

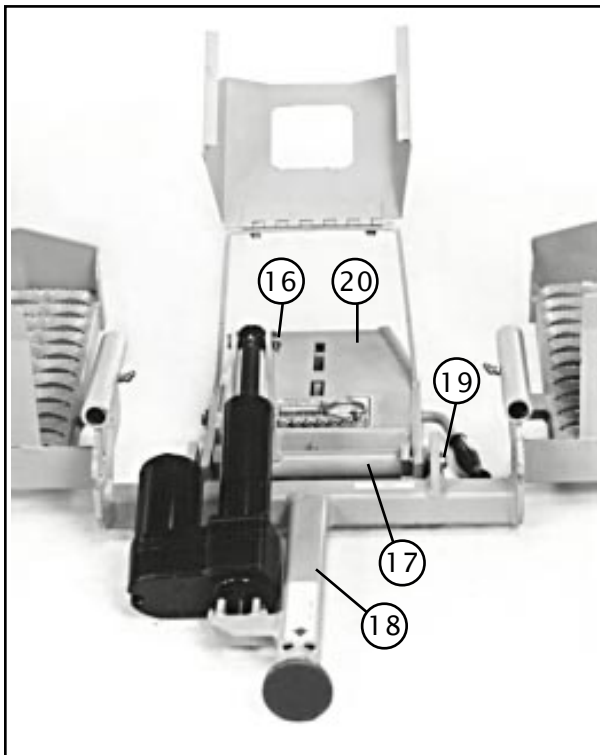


PHOTO 1

c) Locate two center marks for the 3/8" dia. holes on the inside of both adapter frame tube socket bases of the implement adapter (Fig. 5). Drill one 3/8" dia. hole through the adapter frame tube socket base at the center mark. After drilling one 3/8" dia. hole, verify the 3" dimension between the drilled hole and the center

mark of the other 3/8" dia. hole, and drill. Perform the same steps on the other adapter frame tube socket base (Photo 2).

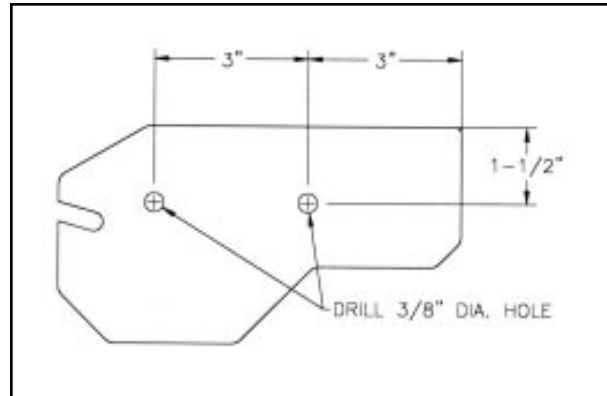


FIGURE 5

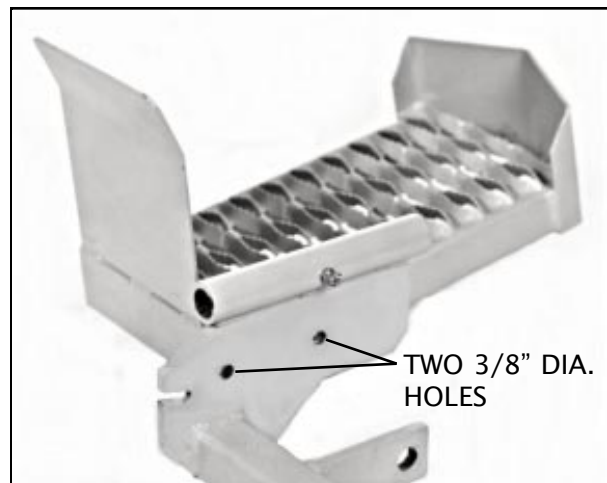
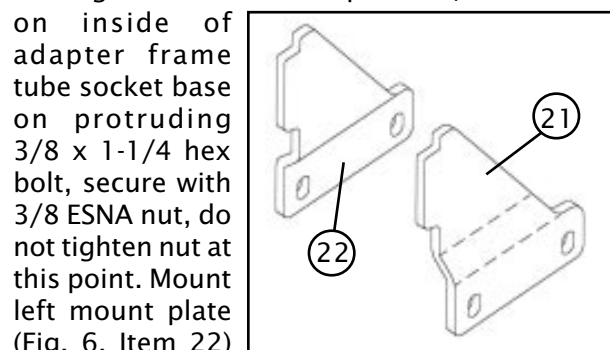


PHOTO 2

d) Position right mount plate (Fig. 6, Item 21) onto the inside of the right adapter frame tube socket base. Insert the 3/8 x 1-1/4 hex bolt through the hole and place 3/8" washer on inside of



adapter frame tube socket base on protruding 3/8 x 1-1/4 hex bolt, secure with 3/8 ESNA nut, do not tighten nut at this point. Mount left mount plate (Fig. 6, Item 22) in same manner. FIGURE 6

STEP 3: MOUNTING LOADER BUCKET ONTO IMPLEMENT ADAPTER

a) Position the loader bucket tongue (Photo 3, Item 1) between the implement adapter tongue mounts and insert the 5/8" dia. pivot pin (Photo 3, Item 19), removed in step 2 part b, replace the 5/8" ID flat bushing over each end of the pin and secure with the cotter pins, both previously removed in step 2 part b.

b) Align the implement adapter actuator (Photo 3, Item 23) with the top holes of the independent brackets (Photo 3, Item 6), insert bent arm pin (Photo 3, Item 24) into the holes, place a 1/2" ID flat bushing over the end of the bent arm pin and secure with a 1" hair spring cotter pin.

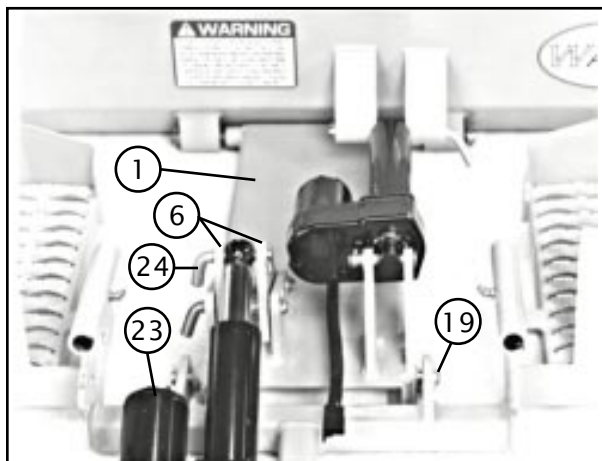


PHOTO 3

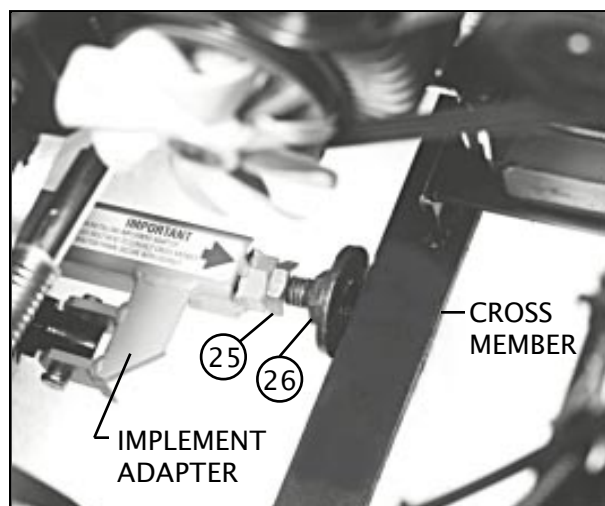


PHOTO 4

STEP 4: ADJUSTING IMPLEMENT ADAPTER

IMPORTANT: Perform this adjustment on a level and flat surface.

a) With the loader bucket and implement adapter mounted to the tractor: loosen the 3/4" jam nut (Photo 4, Item 25). Adjust the 3/4" hexagon bolt (Photo 4, Item 26) until it contacts the cross member of the tractor chassis frame, the hexagon bolt need only to contact the cross member of the tractor chassis frame, do not over extend the hexagon bolt. Check that the cutting edge of the loader bucket, with the loader bucket fully lowered and the tilt angle of the bucket at 0°, is in contact with the ground surface. **(This is an important step to assure proper loader bucket motion and implement adapter mount plate fit.)**

b) Position implement adapter mount plates to contact the horizontal cross member of the tractor chassis frame and tighten each 3/8 ESNA nut to a torque of 35 to 42 lbs-ft (Photo 5).

IMPORTANT: The implement adapter jam nut and mount plates need adjustment to the tractor only once if the same tractor is used. If you plan to mix tractors and the implement adapter, the implement adapter jam nut and mount plates will require adjustment each time.

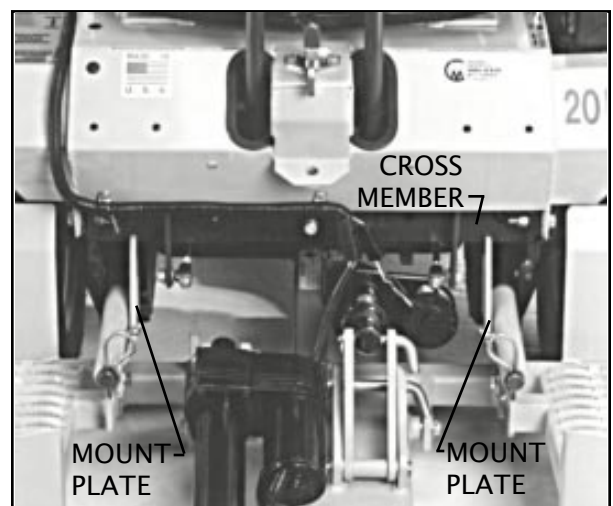


PHOTO 5

STEP 5: WIRING LOADER BUCKET

NOTE: Two 10-24 x 1/2" bolts, three 10-24 x 3/8" bolts, five 10-24 keps nuts, three wiring harness clamps and one toggle switch, referred to below, are included with the implement adapter P/N 6625.

a) Drill five 13/64" dia. holes in the tractor, two in the forward speed control arm and three in the body (Figure 7).

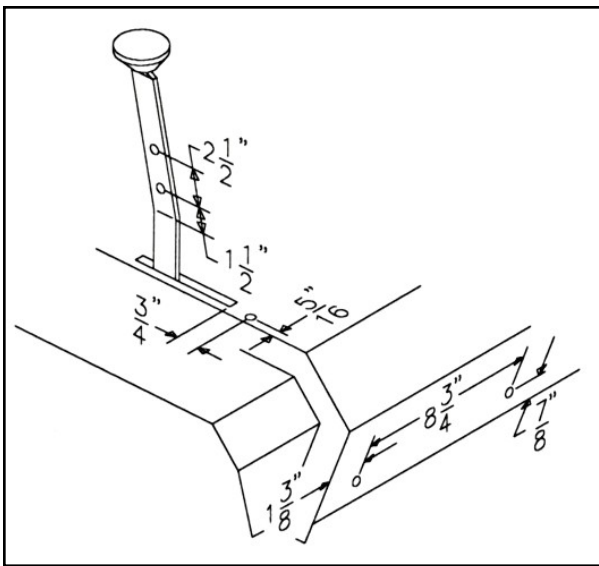


FIGURE 7

b) Attach the toggle switch mounting bracket (Photo 6, Item 27) on the forward speed control arm using two 10-24 x 1/2" bolts (F026) and 10-24 keps nuts (F002).

c) Install the wiring harness (Photo 6, Item 28) to the tractor body using three wiring harness clamps (Photo 6, Item 29), three 10-24 x 3/8" bolts (F025) and 10-24 keps nuts (F002).

d) Attach the toggle switches (Photo 6, Item 30) to the toggle switches mounting bracket (Photo 6, Item 27), placing the switch terminals toward the front of the mower.

e) Route the red and green wire through the tractor and secure the red wire with the 4" cable tie and trim cable tie.

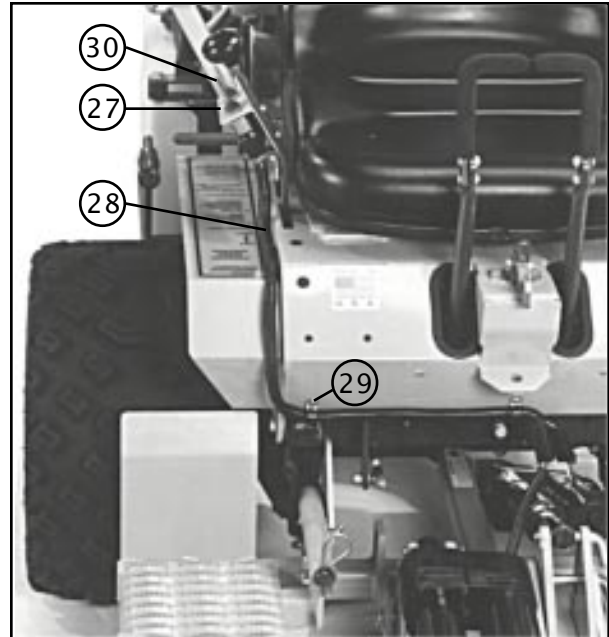


PHOTO 6

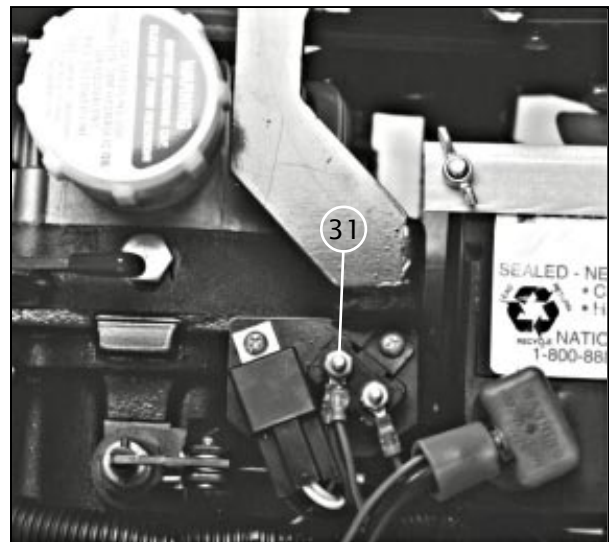


PHOTO 7

f) Connect the harness red wire to the free connector of the circuit breaker (Photo 7, Item 31). Connect the harness green wire to the ground bolt located at the right front corner of the tractor chassis frame (Photo 8, Item 32).



PHOTO 8

g) Place the plastic conduit (Photo 9, Item 33) over the loader bucket actuator motor leads and secure with electricians tape, secure to the actuator motor with the 11" cable tie and trim cable tie.

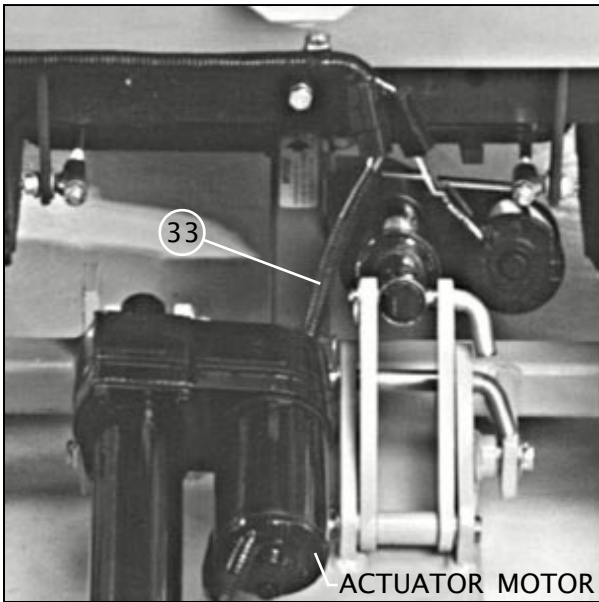


PHOTO 9

h) Complete the wiring by connecting the wiring harness to the toggle switches and to the actuator motors.

DECALS

REPLACE WARNING DECAL IMMEDIATELY IF DAMAGED

For decal location see Figure 8.

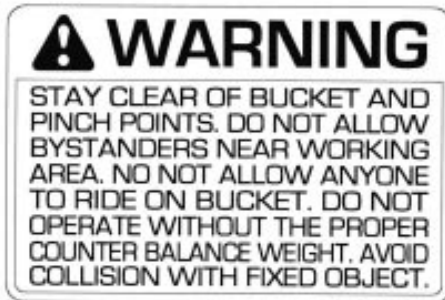


ITEM 34



ITEM 36

ITEM 35



ITEM 37

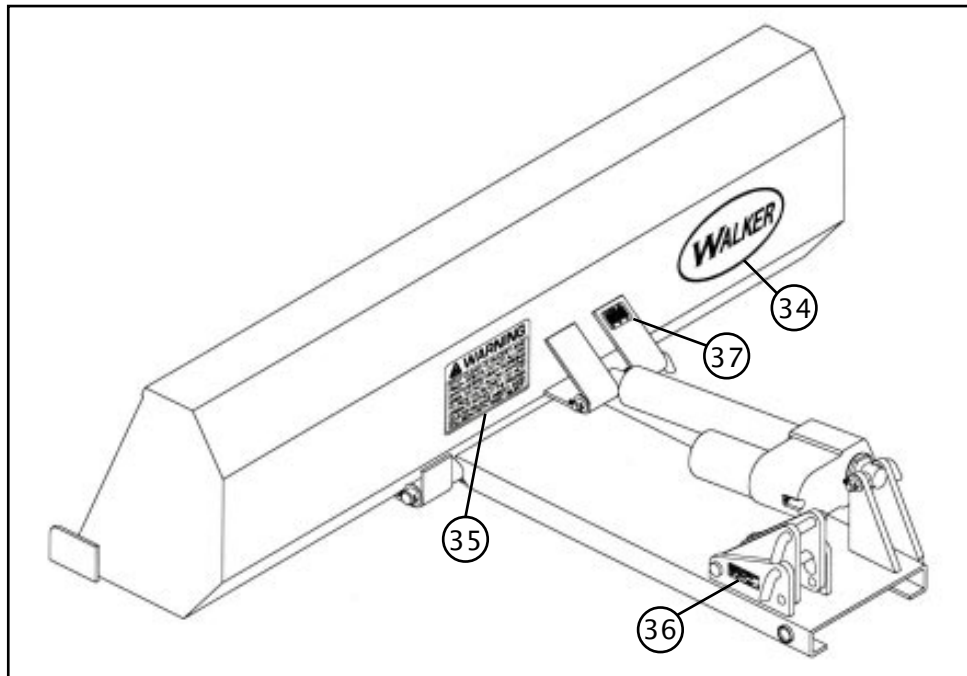


FIGURE 8

PARTS BREAKDOWN

LOADER BUCKET and IMPLEMENT ADAPTER BRACKETS

Refer to Figure 9

ITEM NO.	PART NO.	DESCRIPTION	NO. REQ'D
1	6690-1	Tongue	1
2	6690-2	Bucket w/ Weld on Cutting Edge	1
3	6690-3	Headless Pin (3/4 dia.)	1
4	6690-4	3/4 ID Flat Bushing	2
5	6690-5	Cotter Pin (1-1/4")	2
6	6690-6	Independent Brackets	2
7	6690-7	1/2 ID Flat Bushing	7
8	6690-8	Clevis Pin (3-1/4)	1
9	6690-9	Independent Bracket Bushing	1
10	6690-10	Cotter Pin (1")	3
11	6690-11	Bent Arm Pin (3-1/4)	1
12	6690-12	Hair Spring Cotter Pin (No. 17)	2
13	6690-13	Actuator (500 lb.)	1
14	6690-14	Bent Arm Pin (2-1/4)	1
15	6690-15	Bent Arm Pin (5-5/8)	1
21	6690-21	Mount Plate RH	1
22	6690-22	Mount Plate LH	1
24	6690-24	Bent Arm Pin (2-3/8)	1
27	6690-27	Toggle Switch Mounting Bracket	1
28	6690-28	Wiring Harness (Not Illustrated)	1
30	6623	Toggle Switch (Not Illustrated)	1
33	6690-33	Plastic Conduit (Not Illustrated)	1
34	5800	Walker Decal (See Figure 8)	1
35	6690-35	Warning Decal (See Figure 8)	1
36	6690-36	Serial Number Decal (See Figure 8)	1
37	5856	Made in USA Decal (See Figure 8)	1

Items Not Numbered

	Grease Fitting (Illustrated in Fig. 2)	1
	3/8-16 x 1-1/4" Hex Bolt	4
	3/8" ID Washer	4
	3/8" ESNA Nut	4
6690-38	Cable Tie (4")	1
6690-39	Cable Tie (11")	1

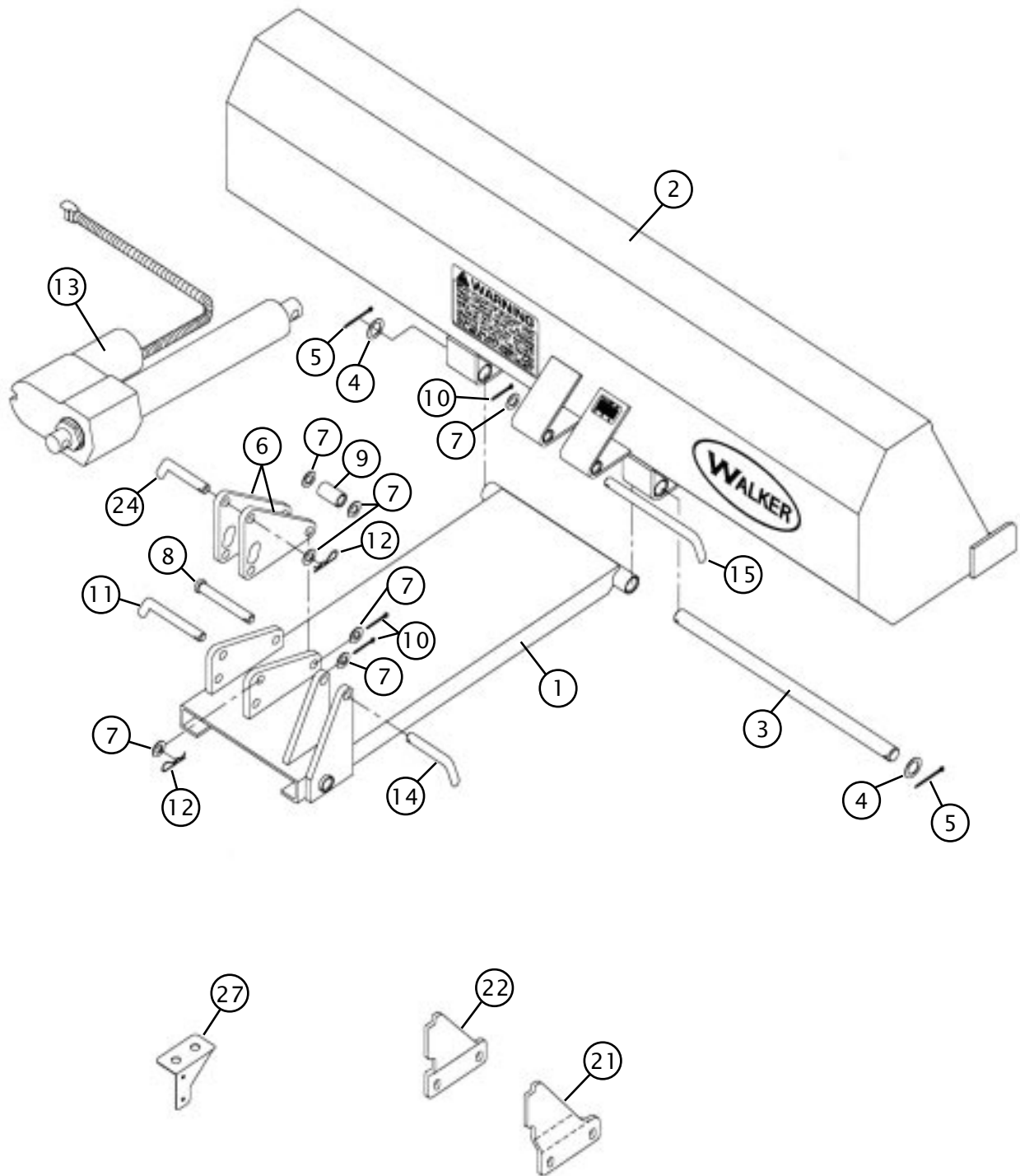


FIGURE 9

WALKER MOWERS™

WALKER MFG. CO. • 5925 E. HARMONY ROAD, FORT COLLINS, CO 80528 • (970) 221-5614
PRINTED IN USA