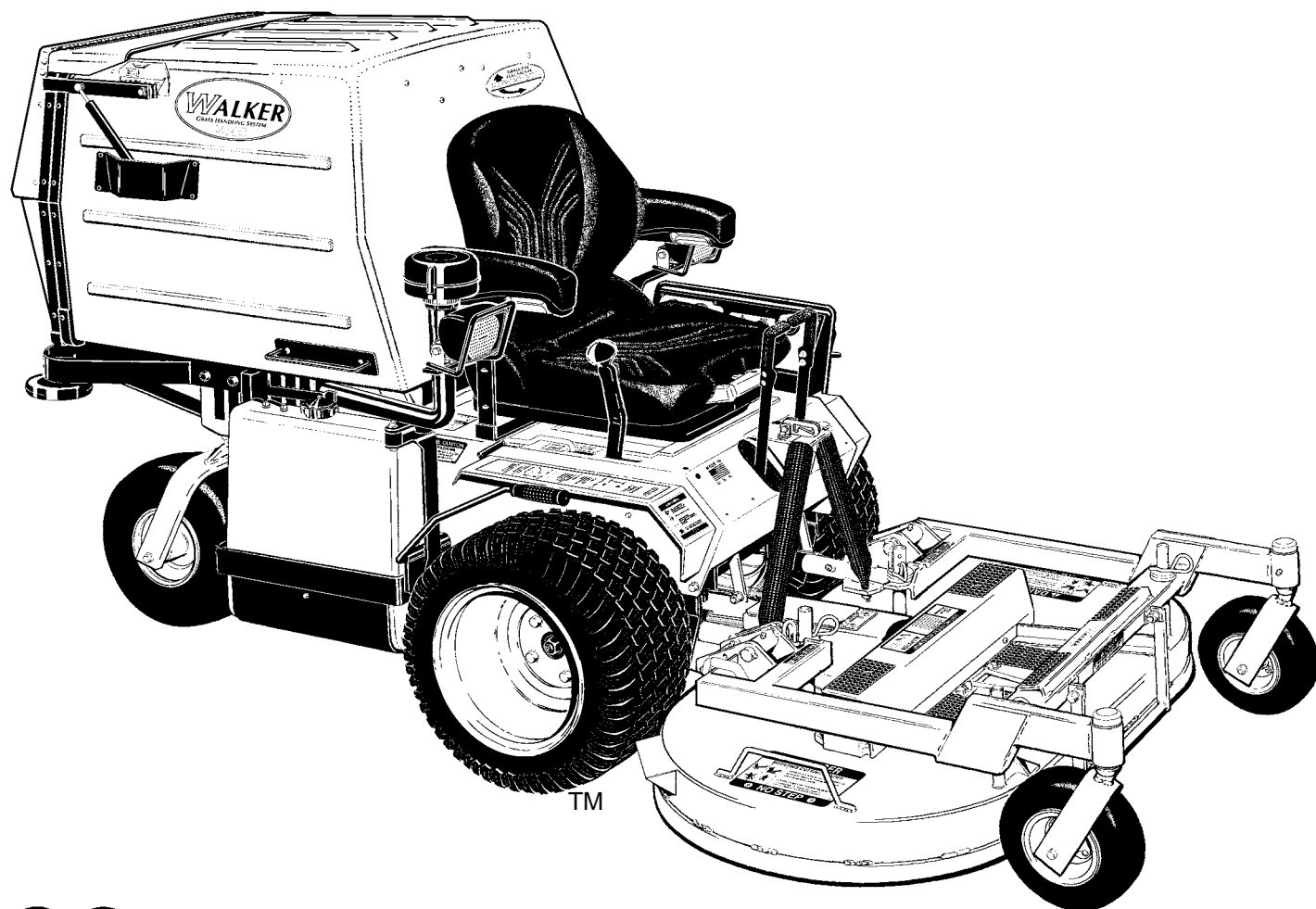


Walker Rider Lawnmowers

ILLUSTRATED PARTS MANUAL

Model MDD (20.9 HP Diesel)



CE

Effective Date:
09-15-07

P/N 7000-10

KEY TO ABBREVIATIONS USED IN THIS MANUAL

<i>Abbreviation</i>	<i>What it Represents</i>
° (Dimension)	Degrees (Angle)
" (Dimension)	inches
(-)	Negative (Polarity)
(+)	Positive (Polarity)
AT	All-Terrain
CCW	Counter-clockwise
Conn.	Connector
CW	Clockwise
D	Diameter
DGHS	Deck, Grass Handling System (number refers to size in inches)
DML	Deck, Mulching (number refers to size in inches)
DSD	Deck, Side Discharge (number refers to size in inches)
DU	Garlock (Bearing)
ESNA (Fastener)	Nylon Insert Locknut
FSC	Forward Speed Control
GA	Gauge
gal.	gallon
GHS	Grass Handling System
GR (Fastener)	Grade
HP	Horse Power
HT	Heat-Treated
ID	Identification or Inside Diameter
L	Length
LH	Left Hand (orientated with operator on seat)
LP	Low Profile
mm (Dimension)	millimeters
MS (Fastener)	Machine Screw
NS (as part number)	Item is not sold by Walker Manufacturing
OD	Outside Diameter
oz.	ounce
PFH (Fastener)	Phillips Flat Head
P/N	Part Number
PPH (Fastener)	Phillips Pan Head
PTH (Fastener)	Phillips Truss Head
PTO	Power Take-Off
QKS	Quick Slide
qt.	quart
RH	Right Hand (orientated with operator on seat)
SAE (Fastener)	Society of Automotive Engineers
SBH (Fastener)	Socket Button Head (Bolt)
SD	Side Discharge
SFH (Fastener)	Slotted Flat Head
SHC (Fastener)	Socket Head Cap
SHL (Fastener)	Shoulder (Bolt)
SM (Fastener)	Sheet Metal (Screw)
S/N	Serial Number
Spg.	Spring
SQH (Fastener)	Square Head
SS (Fastener)	Stainless Steel
ST (Fastener)	Self-Tapping (Screw)
Term.	Terminal
V	Volts

NOTE: In some instances, combinations of abbreviations may be used (e.g. PPHMS - Phillips Pan Head Machine Screw).

Use only genuine Walker® replacement parts.

Effective Date 09-15-07

ILLUSTRATED PARTS LIST

<i>Section of Mower Covered</i>	<i>Page</i>	<i>Section of Mower Covered</i>	<i>Page</i>
<hr/>		<hr/>	
Decals		Options and Kits	
Tractor Decals	2	Power Deck Lift Kit	44
Body / Chassis Assemblies		Armrest Kit / Touch-Up Paint / Comfort Seat Kit ...	46
Body / Chassis Assembly (GHS Models)	4	Light Kit	48
Rear Body Assembly (GHS Models)	6	Power Dump Kit	
Body Assembly (SD Models)	8	(9.5 Bushel GHS Models Only)	50
Tractor Components		(7.0 Bushel GHS Models Only)	52
Main Component Power Transmission		Hi-Dump Kit	54
(GHS Models)	10	Hi-Dump Kit - Hydraulic	56
(SD Models)	12	No Catch Deflector Kit / Tail Weight Kit	58
Engine Group	14	Spread Tail Wheel Axle Kit / Speed Up Kit	60
Air Intake And Exhaust Group	16	Tail Wheel Lock Kit / Blower Lockout Kit /	
Radiator Group	18	Case-Hardened Blower	62
Hydrostatic Ground Drive Assemblies	20	Wide Tail Wheel / All-Terrain Tire Kit &	
Steering Control Assemblies	22	Tire Chain Set	64
Throttle Control Assemblies	24	Maintenance	
Parking Brake Assembly	26	Lubrication Points	66
GHS Group	28	Wiring Schematic	68
GHS Powerfil® Assembly	30	Warranty	
GHS 9.5 Bushel Catcher Assembly	32	Limited Warranty	69
GHS 7.0 Bushel Catcher &			
Exhaust Deflector Assemblies	34		
Instrument Panel Assembly	36		
Electrical Components			
Electrical Assembly	38		
Electrical Assemblies			
(GHS 9.5 / 7.0 Bushel Components)	40		
Electrical Connectors	42		

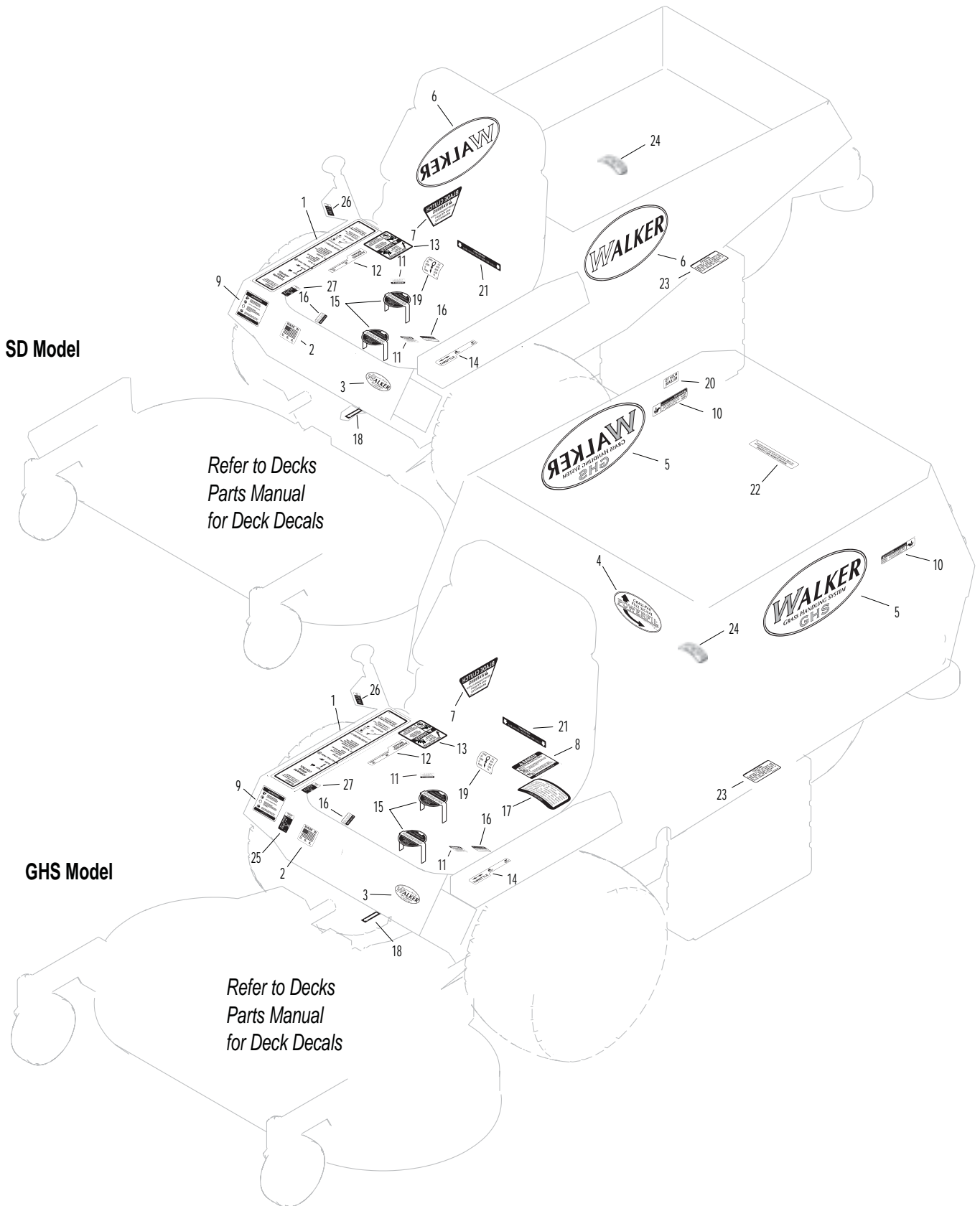
TRACTOR DECALS

ITEM NO.	PART NO.	DESCRIPTION	LOCATION	NO. REQ'D. GHS	NO. REQ'D SD
Walker Product Decals					
1	7802	RH Fender	Body, RH Side near Seat	1	1
2	5856	Made in USA	Body	1	1
3	5803	Walker Manufacturing Logo	Body	1	1
4	5813-1	Powerfil®	7.0 / 9.5 Bushel Catcher, Front	1	0
5	5801	GHS	7.0 / 9.5 Bushel Catcher (one on each side)	2	0
6	5800	Walker Mower (4 x 7-1/2)	Utility Bed (one on each side)	0	2
7	5806	Blade Clutch	Body, RH Side	1	1
Danger Decals Warning Decals Caution Decals					
8	5804	Blower Blade Warning	Body near Body Chute	1	0
9	7818	Warning, Read Manual	Body	1	1
10	5868	Danger, Pinch Point	7.0 / 9.5 Bushel Catcher Mounting Frame Assembly (one on each side)	2	0
11	5810-3	Decal, Hydro Warning	Bridge Assembly and LH Gear Axle Drive Assembly	2	2
Maintenance Decals					
12	7809	Parking Brake	Body, RH Side below Seat	1	1
13	8400-6	Danger, Body Latch	Body, RH Side below Seat	1	1
14	7819	Throttle	Body, LH Side	1	1
15	NS	Sealed Reservoir	Hydrostatic Drives (one on each)	2	2
16	5810-1	Axle Oil Level	Gear Axle Drive Assemblies (one on each)	2	2
17	5819	Blower Maintenance	Blower Housing	1	0
18	6875	PTO Alignment Arrow	Universal Joint Tube Assembly	1	1
19	7827	Oil Level	Jackshaft Support	1	1
20	5874	Push to Release	7.0 / 9.5 Bushel Catcher Safety Latch	1	0
21	8825	Front Body Closure	Rear Cross Member, Body	1	1
22	5869	Removable Screen	7.0 / 9.5 Bushel Catcher Removable Screen	1	0
23	NS	Caution (19426-87881 Kubota)	Radiator	1	1
24	NS	Caution (19426-87903 Kubota)	Air Cleaner Cover	1	1
Option Decals*					
25	7633	Power Dump Switch	Body	1	0
26	8555	Tail Wheel Lock	FSC Lever Assembly - Switch Mount Bracket	1	1
27	8654	Power Deck Lift	Body, RH Side	1	1
	8500-8	No Catch Deflector	7.0 / 9.5 Bushel No Catch Deflector, LH Side (Refer to 7.0 / 9.5 Bushel No Catch Deflector Kit Listing)	1	0

* Option Decals applied only to units with corresponding Options installed.

NOTE: All parts requiring decals are shipped with decals applied.

TRACTOR DECALS



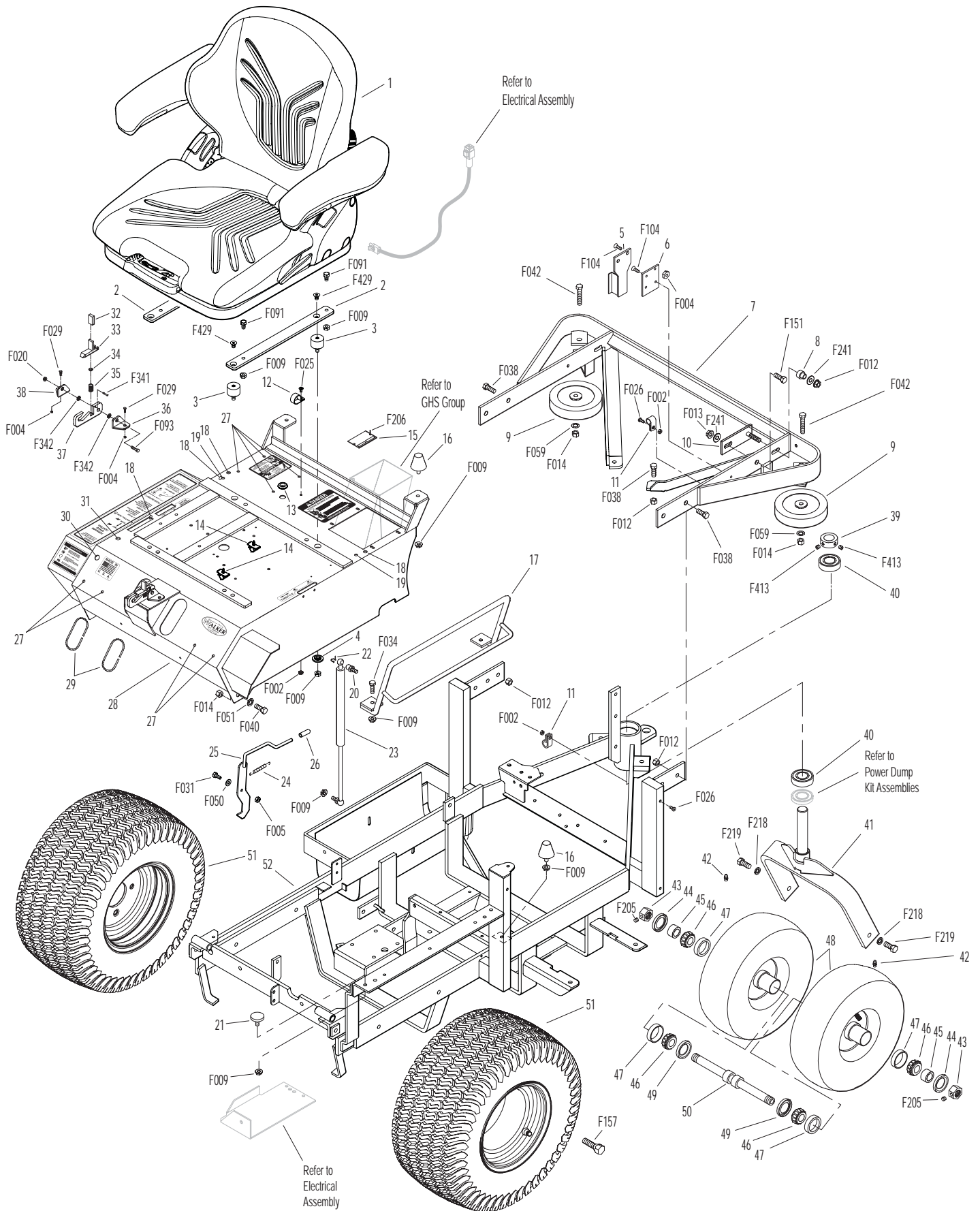
BODY / CHASSIS ASSEMBLY (GHS MODELS)

ITEM NO.	PART NO.	DESCRIPTION	NO. REQ'D	ITEM NO.	PART NO.	DESCRIPTION	NO. REQ'D	
Seat Assembly				47	8037-2	Bearing Race	4	
1	6103-14	Suspension Seat	1	48	8035	Tail Wheel & Tire (13 x 5.00-6) (With Bearing Race)	2	
2	6103-35	Suspension Seat Mount	2		7035-1	Tail Wheel Tire (13 x 5.00-6)	**	
3	7440-7	Shock Mount	4		8036	Tail Wheel & Hub (6 x 3.25) (Includes Items # 41 & 47)	**	
4	6105-1	Shoulder Washer	2		7420-20	Dual Tail Wheel & Tire Assembly (Includes Items # 44-47 & 49-51)	**	
Rear Bumper Assembly (GHS Models Only)*				49	8768-2	Seal, Reverse Lip	2	
5	NS	Recovery Tank Mount (19449-72502 Kubota)	1	50	8038	Tail Wheel Axle (3/4 x 10-3/8)	1	
6	7047-5	Mount Plate	1	51	7070	Wheel & Tire (18 x 9.5-8)	2	
7	7516-7	7.0 / 9.5 Rear Bumper	1		7070-1	Drive Tire (18 x 9.5-8)	**	
8	7516-5	Catcher Pivot Bushing	2		5070-4	Wide Wheel (8 x 7)	**	
9	5162	Roller Wheel (5" Rubber)	2	52	7300-6	Chassis Frame	1	
10	7517-2	Catcher Pivot Plate	2	Fasteners				
11	5832	Cable Clamp (1/2)	2		F002	10-24 Keps Nut	3	
Body Assembly						F004	1/4-20 Keps Nut	6
12	7833-2	Cable Clamp (1 x 1/4)	1		F005	1/4-20 ESNA Nut	1	
13	5977-3	Grommet (9/16)	1		F009	5/16-18 Whiz Locknut	15	
14	6105-3	Harness Clip	2		F012	3/8-16 Keps Nut	8	
15	NS	Body ID Plate	1		F013	3/8-16 Whiz Locknut	2	
16	5845	Rubber Bumper (1.50 OD x 1.25)	4		F014	3/8-16 ESNA Nut	4	
17	7422	Panel Guard	1		F020	5/16-18 ESNA Nut	1	
18	5989-4	Dome Plug (3/8)	4		F025	10-24 x 3/8 PPHMS	1	
19	5989-3	Dome Plug (5/16)	2		F026	10-24 x 1/2 PPHMS	2	
20	7146	13mm Ball Stud	2		F029	1/4-20 x 1/2 Hex Bolt	2	
21	7844	Rubber Bumper (1.25 OD x .25)	1		F031	1/4-20 x 5/8 Hex Bolt	1	
22	7147	Spring Clip	2		F034	5/16-18 x 3/4 Hex Bolt	2	
23	7145	Gas Spring Assembly (Includes Items # 20 & 22)	1		F038	3/8-16 x 1 Hex Bolt	6	
24	7222	Extension Spring (1/4 x 3)	1		F040	3/8-16 x 1-1/2 Hex Bolt	2	
25	7383-2	Body Latch Hook	1		F042	3/8-16 x 2-1/4 Hex Bolt	2	
26	7854	Plastic Tip, Red	1		F050	1/4 SAE Washer	1	
27	5989-9	Dome Plug (1/4)	8		F051	3/8 SAE Washer	2	
28	7100-7	Front Body	1		F059	3/8 Wave Spring Washer	2	
29	5180	Edge Molding, Lever Opening	2		F091	5/16-18 x 5/8 Hex Bolt	4	
30	5989-55	Dome Plug (1/2)	1		F093	5/16-18 x 1 Hex Bolt	1	
31	5989-5	Dome Plug (7/16)	1		F104	1/4-20 x 3/4 PFH Bolt	4	
Tilt-Up Latch Assembly***						F151	3/8-16 x 7/8 Hex Bolt	2
32	5847	Plastic Tip	1		F157	1/2-20 x 1-1/4 Wheel Lug Bolt	8	
33	5744-20	Spring Arm, Tilt-Up Latch	1		F205	5/16-18 x 1/4 Set Screw, Knurl Point	2	
34	5744-10	Spring Pivot Bushing	1		F206	#2 x 3/16 Drive Pin	2	
35	5744-15	Compression Spring (3/8 x 5/8)	1		F218	7/16 Split Lock Washer	2	
36	5744-13	Mount Angle, LH	1		F219	7/16-14 x 1-1/4 Hex Bolt	2	
37	5744-12	Hook, Tilt-Up Latch	1		F241	.375 x .875 x .10 Washer	4	
38	5744-14	Mount Angle, RH	1		F341	Coil Roll Pin (7/64 x 9/16)	1	
Chassis Assembly						F342	5/16 Conical Washer	2
39	5267-1	Retainer Collar (1") (Includes Item # F413)	1		F413	5/16-24 x 5/16 Set Screw	2	
40	5270-1	Pivot Bearing	2		F429	5/16-18 x 1/2 SFH Screw	4	
41	7420	Tail Wheel Fork	1	* Rear Bumper Assembly for SD Models is not shown here. Refer to BODY ASSEMBLY (SD MODELS) , Page 8.				
42	5830-3	Grease Fitting (45 Degree)	2	** Service Part Only				
43	8039	Nut, Tail Wheel Axle	2	*** Complete Tilt-Up Latch Assembly Kit available by ordering kit # 5747.				
44	8037-1	Seal, Outer (1-3/4 x 1-1/8)	2					
45	8038-1	Spacer, Tail Wheel Axle	2					
46	8037	Bearing Cone (3/4 ID)	4					

Use only genuine Walker® replacement parts.

Effective Date 09-15-07

BODY / CHASSIS ASSEMBLY (GHS MODELS)



Effective Date 09-15-07

Use only genuine Walker[™] replacement parts.

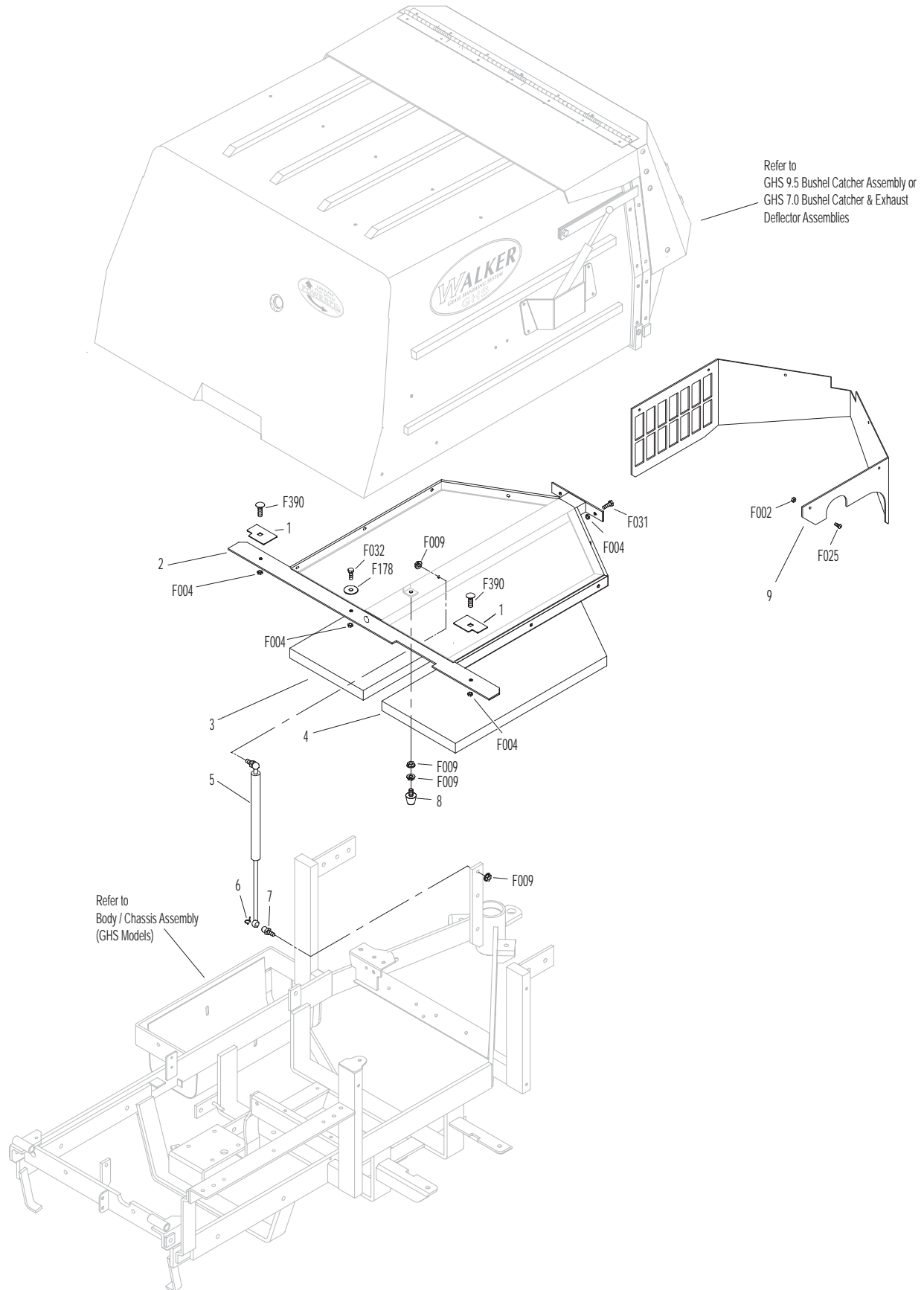
REAR BODY ASSEMBLY (GHS MODELS)

ITEM NO.	PART NO.	DESCRIPTION	NO. REQ'D	ITEM NO.	PART NO.	DESCRIPTION	NO. REQ'D
Rear Body Assembly (GHS Models)				Fasteners			
1	8515-10	Catcher Reinforcing Plate	2	F002		10-24 Keps Nut	6
2	7515-2	Catcher Support Frame	1	F004		1/4-20 Keps Nut	5
3	7190-2	Insulation Foam Pad, RH	1	F009		5/16-18 Whiz Locknut	4
4	7190-1	Insulation Foam Pad, LH	1	F025		10-24 x 3/8 PPHMS	6
5	7145	Gas Spring Assembly (Includes Items # 6 & 7)	1	F031		1/4-20 x 5/8 Hex Bolt	2
6	7147	Spring Clip	2	F032		1/4-20 x 3/4 Hex Bolt	1
7	7146	13mm Ball Stud	2	F178		1/4 x 1 Fender Washer	1
8	5845	Rubber Bumper (1.50 x 1.25)	1	F390		1/4-20 x 7/8 Carriage Bolt	2
9	7105-5	Rear Body Panel	1				

NOTE: Rear Bumper Assembly for GHS Models is not shown here. Refer to **BODY / CHASSIS ASSEMBLY (GHS MODELS)**, Page 4.

NOTE: Decals for this assembly are not shown here. Refer to **TRACTOR DECALS**, Page 2 for Decal listing and placement information.

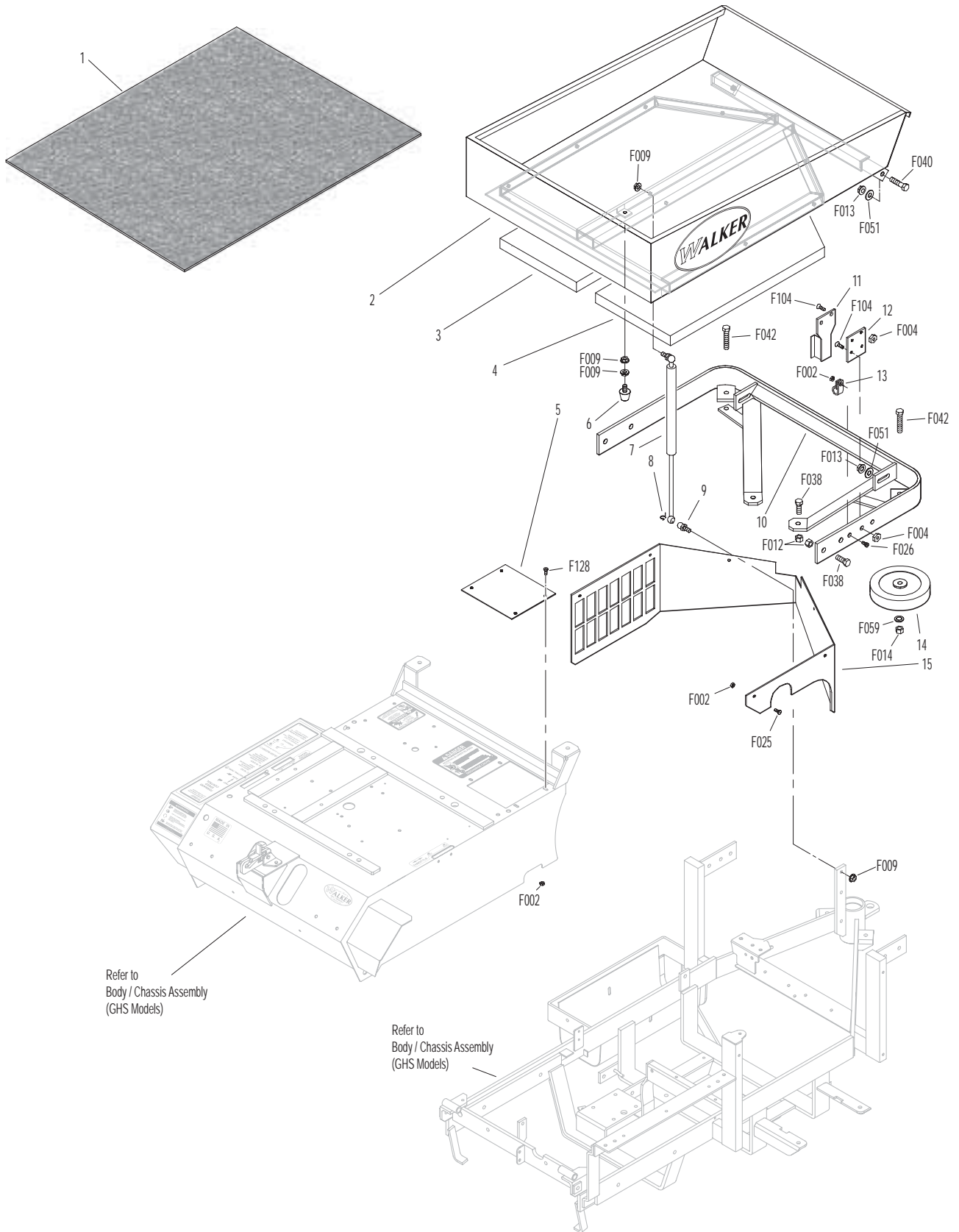
REAR BODY ASSEMBLY (GHS MODELS)



BODY ASSEMBLY (SD MODELS)

ITEM NO.	PART NO.	DESCRIPTION	NO. REQ'D	ITEM NO.	PART NO.	DESCRIPTION	NO. REQ'D
Utility Bed Assembly				Fasteners			
1	8650-10	Bed Liner (21.5 x 27.5)	1	F002		10-24 Keps Nut	11
2	7650-3	Utility Bed (Includes Item # 1)	1	F004		1/4-20 Keps Nut	4
3	7190-2	Insulation Foam Pad, RH	1	F009		5/16-18 Whiz Locknut	4
4	7190-1	Insulation Foam Pad, LH	1	F012		3/8-16 Keps Nut	6
Rear Bumper Assembly (SD Models)				F013		3/8-16 Whiz Locknut	4
5	7153-3	Cover Plate	1	F014		3/8-16 ESNA Nut	2
6	5845	Rubber Bumper (1.50 x 1.25)	1	F025		10-24 x 3/8 PPHMS	6
7	7145	Gas Spring Assembly (Includes Items # 8 & 9)	1	F026		10-24 x 1/2 PPHMS	1
8	7147	Spring Clip	2	F038		3/8-16 x 1 Hex Bolt	6
9	7146	13mm Ball Stud	2	F040		3/8-16 x 1-1/2 Hex Bolt	2
10	7521-5	Rear Bumper	1	F042		3/8-16 x 2-1/4 Hex Bolt	2
11	NS	Recovery Tank Mount (19449-72502 Kubota)	1	F051		3/8 SAE Washer	4
12	7047-5	Mount Plate	1	F059		3/8 Wave Spring Washer	2
13	5832	Cable Clamp (1/2)	2	F104		1/4-20 x 3/4 PFH Bolt	4
14	5162	Roller Wheel (5" Rubber)	2	F128		10-24 x 3/8 PTHMS	4
15	7105-5	Rear Body Panel	1	NOTE: Refer to BODY / CHASSIS ASSEMBLY (GHS MODELS) , Page 4 for all common parts used on both models.			

BODY ASSEMBLY (SD MODELS)



MAIN COMPONENT POWER TRANSMISSION (GHS MODELS)

ITEM NO.	PART NO.	DESCRIPTION	NO. REQ'D	ITEM NO.	PART NO.	DESCRIPTION	NO. REQ'D
Clutch Lever Assembly				Ground Drive Release Assembly			
1	5830	Grease Fitting	4	37	7245-1	Idler Pulley (3/8 Groove)	1
2	5229	Extension Spring (1/2 x 2-1/4)	1	38	7374	Ground Drive Release Arm	1
3	7243	Clutch Idler Pulley	1	39	7390	Idler Arm Guide	1
4	7368-5	PTO Belt Tightener (1.75 TAB)	1	40	7406-1	Handle Grip, Red	1
5	7201-3	DU Bearing	6	41	7376	Handle, Ground Drive Release (Includes Item # 40)	1
6	7201-6	Inner Race (3-5/8)	1	42	5221	Extension Spring (3/4 x 4)	1
7	7303-9	Clutch Actuator Block	1	43	7854	Plastic Tip, Red	1
8	5830-3	Grease Fitting (45 Degree)	2	44	7375	Spring Arm, Ground Drive Idler Release (Includes Item # 43)	1
9	7226	Compression Spring (3/4 x 2-1/2)	1	45	7225	Compression Spring (7/16 x 1/2)	1
10	7380	Knuckle Joint	1	Fasteners			
11	7303-7	Clutch Actuator Rod	1	F002	10-24 Keps Nut		1
12	7378	Pivot Bearing (7/16 x 9/16)	1	F004	1/4-20 Keps Nut		2
13	7358	Clutch Lever (Includes Items # 1 & 14)	1	F005	1/4-20 ESNA Nut		2
14	7860	Handle Grip	1	F009	5/16-18 Whiz Locknut		3
PTO Drive Shaft Assembly				F012	3/8-16 Keps Nut		3
15	7050-1	Dipstick, Gearbox	1	F013	3/8-16 Whiz Locknut		2
16	7377-1	Brake Band Guide	1	F029	1/4-20 x 1/2 Hex Bolt		1
17	7050-11	PTO Gearbox / Flange Pulley	1	F041	3/8-16 x 1-3/4 Hex Bolt		1
18	7248	Ground Drive Belt, Micro-V	1	F042	3/8-16 x 2-1/4 Hex Bolt		2
19	7275-9	Quick Coupler Installation Tool	**	F047	3/8-16 x 4-1/2 Hex Bolt		1
20	7275-16	Universal Joint Tube Assembly / Spline	1	F050	1/4 SAE Washer		1
21	7303-2	Brake Band (13-5/8)	1	F060	AN960516 Washer		2
22	7236-1	PTO Drive Pulley (4-1/2/3V) (Includes Items # F168 & F226)	1	F061	1/4 Internal Star Lock Washer		1
23	7237-30	Engine Pulley (Flywheel Mount) (Includes Item # F221)	1	F067	3/16 x 3/16 x 1 Key		2
24	7230	Engine PTO Belt	1	F069	3/32 x 1/2 Cotter Pin		1
25	6231	Drive Belt (3VX355)	1	F108	3/8-16 x 2 Hex Bolt		1
Jackshaft Assembly				F116	1/4-20 x 1-1/4 Hex Bolt		1
26	7240-3	Jackshaft Drive Pulley (4.15/3V) (Includes Items # F067 & F171)	1	F167	5/16-18 Hex Nut		1
27	5268	Bearing with Collar (3/4)	2	F168	5/16 Split Lock Washer		9
28	7273	Jackshaft (3/4 x 8-7/8)	1	F171	5/16-18 x 3/8 Set Screw		4
29	7393-7	Hydro Jackshaft Mount	1	F178	1/4 x 1 Fender Washer		1
	7394-1	Hydro Jackshaft Mount Assembly (Includes Items # 1, 5, 27-29 & 31)	*	F187	1/4-20 x 1-1/2 Hex Bolt		2
30	5841	Retainer Washer (3/8 x 1-1/4)	2	F221	M8 x 1.25 x 16 PFH Bolt		5
31	7201-4	Inner Race (1-1/2)	2	F226	5/16-18 x 7/8 Hex Bolt		9
32	7349-50	Idler Arm	1	F245	3/8-24 x 7/8 SFH Cap Screw		1
33	5221-1	Extension Spring (3/4 x 5)	1	F252	10-24 x 3/4 PFHMS		1
34	6325-3	Spacer Bushing (9/16)	1	F255	5/16-18 x 1-1/2 Hex Bolt		2
35	5245	Idler Pulley (3")	1	F275	5/16-18 x 2 Hex Bolt		1
36	7241-2	Transmission Drive Pulley (3-1/4/MV) (Includes Items # F067 & F171)	1	F288	5/16-18 ESNA Jam Nut		1
				* Service Part Only			
				** The Quick Coupler Installation Tool is used to assist the installation of the Quick Coupler Tube and PTO Shaft connection by holding the disconnect ring in the retracted position when joined to the tractor spline shaft on the PTO gearbox.			

Use only genuine Walker® replacement parts.

Effective Date 09-15-07

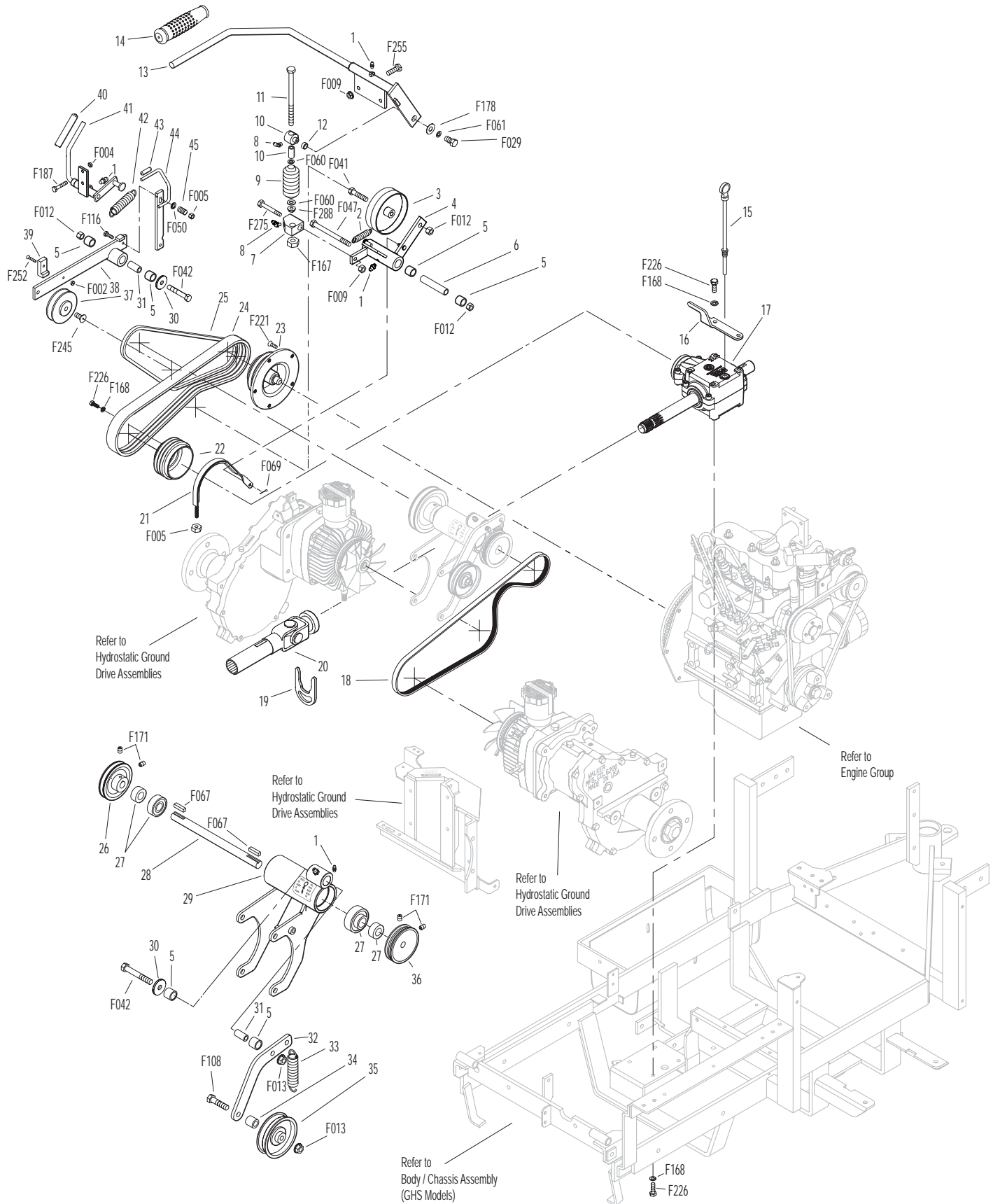
MAIN COMPONENT POWER TRANSMISSION (SD MODELS)

ITEM NO.	PART NO.	DESCRIPTION	NO. REQ'D	ITEM NO.	PART NO.	DESCRIPTION	NO. REQ'D
Clutch Lever Assembly				Ground Drive Release Assembly			
1	5830	Grease Fitting	4	37	7245-1	Idler Pulley (3/8 Groove)	1
2	5229	Extension Spring (1/2 x 2-1/4)	1	38	7374	Ground Drive Release Arm	1
3	7243	Clutch Idler Pulley	1	39	7390	Idler Arm Guide	1
4	7368-5	PTO Belt Tightener (1.75 TAB)	1	40	7406-1	Handle Grip, Red	1
5	7201-3	DU Bearing	6	41	7376	Handle, Ground Drive Release (Includes Item # 40)	1
6	7201-6	Inner Race (3-5/8)	1	42	5221	Extension Spring (3/4 x 4)	1
7	7303-9	Clutch Actuator Block	1	43	7854	Plastic Tip, Red	1
8	5830-3	Grease Fitting (45 Degree)	2	44	7375	Spring Arm, Ground Drive Idler Release (Includes Item # 43)	1
9	7226	Compression Spring (3/4 x 2-1/2)	1	45	7225	Compression Spring (7/16 x 1/2)	1
10	7380	Knuckle Joint	1	Fasteners			
11	7303-7	Clutch Actuator Rod	1	F002	10-24 Keps Nut		1
12	7378	Pivot Bearing (7/16 x 9/16)	1	F004	1/4-20 Keps Nut		2
13	7358	Clutch Lever (Includes Items # 1 & 14)	1	F005	1/4-20 ESNA Nut		2
14	7860	Handle Grip	1	F009	5/16-18 Whiz Locknut		3
PTO Drive Shaft Assembly				F012	3/8-16 Keps Nut		3
15	7050-1	Dipstick, Gearbox	1	F013	3/8-16 Whiz Locknut		2
16	7377-1	Brake Band Guide	1	F029	1/4-20 x 1/2 Hex Bolt		1
17	7050-11	PTO Gearbox / Flange Pulley	1	F041	3/8-16 x 1-3/4 Hex Bolt		1
18	7248	Ground Drive Belt, Micro-V	1	F042	3/8-16 x 2-1/4 Hex Bolt		2
19	7275-9	Quick Coupler Installation Tool	**	F047	3/8-16 x 4-1/2 Hex Bolt		1
20	7275-16	Universal Joint Tube Assembly / Spline	1	F050	1/4 SAE Washer		1
21	7303-2	Brake Band (13-5/8)	1	F060	AN960516 Washer		2
22	7236-1	PTO Drive Pulley (4-1/2/3V) (Includes Items # F168 & F226)	1	F061	1/4 Internal Star Lock Washer		1
23	7237-30	Engine Pulley (Flywheel Mount) (Includes Item # F221)	1	F067	3/16 x 3/16 x 1 Key		2
24	7230	Engine PTO Belt	1	F069	3/32 x 1/2 Cotter Pin		1
25	6231	Drive Belt (3VX355)	1	F108	3/8-16 x 2 Hex Bolt		1
Jackshaft Assembly				F116	1/4-20 x 1-1/4 Hex Bolt		1
26	7240-3	Jackshaft Drive Pulley (4.15/3V) (Includes Items # F067 & F171)	1	F167	5/16-18 Hex Nut		1
27	5268	Bearing with Collar (3/4)	2	F168	5/16 Split Lock Washer		9
28	7273	Jackshaft (3/4 x 8-7/8)	1	F171	5/16-18 x 3/8 Set Screw		4
29	7393-7	Hydro Jackshaft Mount	1	F178	1/4 x 1 Fender Washer		1
	7394-1	Hydro Jackshaft Mount Assembly (Includes Items # 1, 5, 27-29 & 31)	*	F187	1/4-20 x 1-1/2 Hex Bolt		2
30	5841	Retainer Washer (3/8 x 1-1/4)	2	F221	M8 x 1.25 x 16 PFH Bolt		5
31	7201-4	Inner Race (1-1/2)	2	F226	5/16-18 x 7/8 Hex Bolt		9
32	7349-50	Idler Arm	1	F245	3/8-24 x 7/8 SFH Cap Screw		1
33	5221-1	Extension Spring (3/4 x 5)	1	F252	10-24 x 3/4 PFHMS		1
34	6325-3	Spacer Bushing (9/16)	1	F255	5/16-18 x 1-1/2 Hex Bolt		2
35	5245	Idler Pulley (3")	1	F275	5/16-18 x 2 Hex Bolt		1
36	7241-2	Transmission Drive Pulley (3-1/4/MV) (Includes Items # F067 & F171)	1	F288	5/16-18 ESNA Jam Nut		1
				* Service Part Only			
				** The Quick Coupler Installation Tool is used to assist the installation of the Quick Coupler Tube and PTO Shaft connection by holding the disconnect ring in the retracted position when joined to the tractor spline shaft on the PTO gearbox.			

Use only genuine Walker® replacement parts.

Effective Date 09-15-07

MAIN COMPONENT POWER TRANSMISSION (SD MODELS)



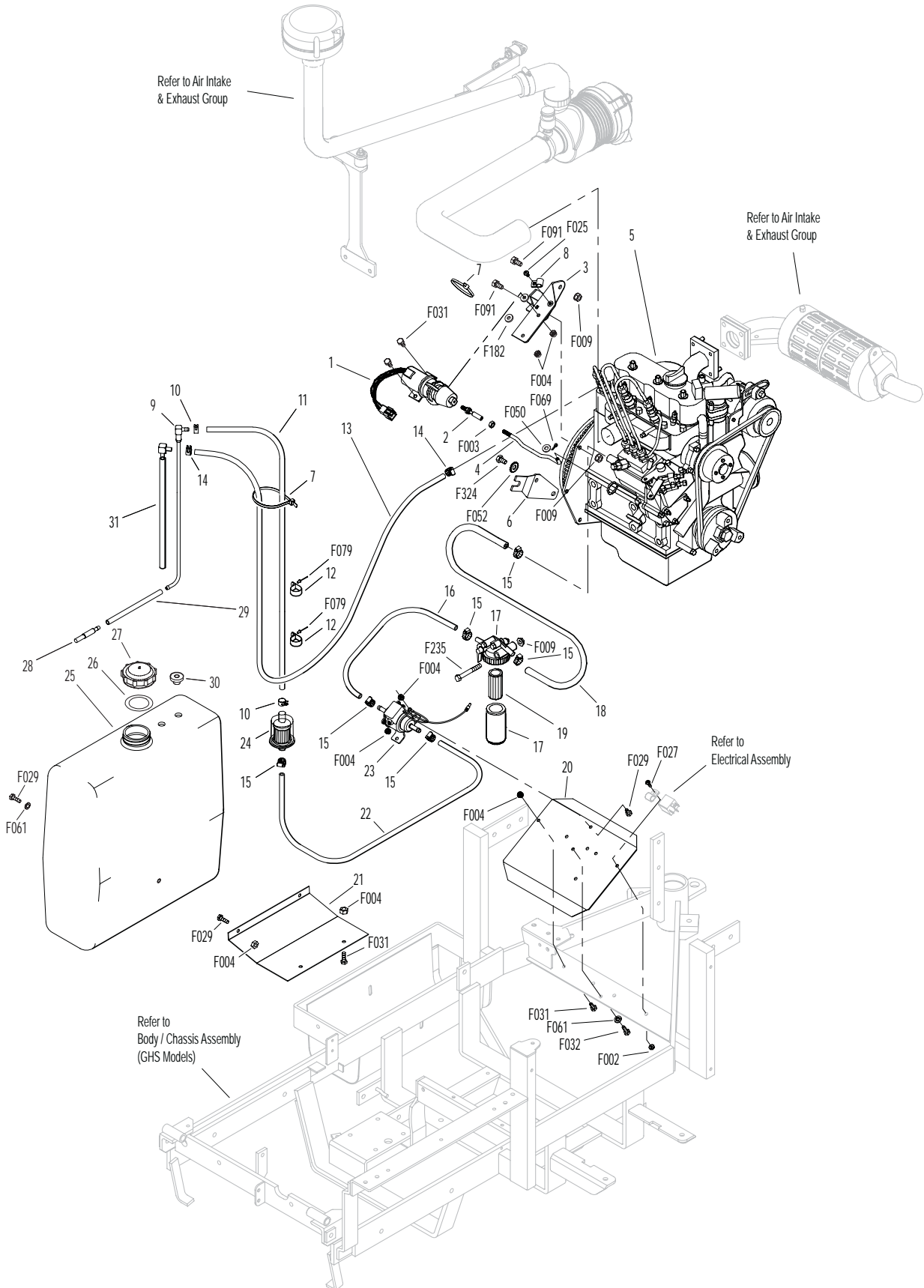
Effective Date 09-15-07

Use only genuine Walker® replacement parts.

ENGINE GROUP

ITEM NO.	PART NO.	DESCRIPTION	NO. REQ'D	ITEM NO.	PART NO.	DESCRIPTION	NO. REQ'D
Engine Assembly				28	5020-2	Fuel Filter, In Tank	1
1	7929	Actuating Solenoid	1	29	5086-7	Hose (3/8 x 6)	1
2	7305-3	Inline Ball Joint	1	30	5083-1	Bushing, Rubber	*
3	7343-1	Solenoid Mount	1	31	7046-1	Fuel Return Tube	1
4	7305-1	Solenoid Linkage Rod	1	Fasteners			
5	NS	Kubota Diesel Engine (D 722 Kubota)	1	F002	10-24 Keps Nut		1
6	7341	Throttle Cable Mount Bracket	1	F003	1/4-28 Hex Nut		1
7	5975-3	Cable Tie (50# x 7")	2	F004	1/4-20 Keps Nut		9
Fuel Tank Assembly				F009	5/16-18 Whiz Locknut		4
8	5832	Cable Clamp (1/2)	1	F025	10-24 x 3/8 PPHMS		1
9	5083-5	Tank Tube Elbow	1	F027	10-24 x 5/8 PPHMS		1
10	5879-3	Hose Clamp (1/2)	2	F029	1/4-20 x 1/2 Hex Bolt		4
11	7015-14	Hose (1/4 x 16-1/2)	1	F031	1/4-20 x 5/8 Hex Bolt		5
12	7833	Cable Clamp (7/8 x 1/4)	2	F032	1/4-20 x 3/4 Hex Bolt		1
13	7015-12	Hose (3/16 x 32)	1	F050	1/4 SAE Washer		1
14	5879-2	Hose Clamp, Silver (7/16)	2	F052	5/16 Ext. Star Lock Washer		2
15	7840-2	Hose Clamp (1/4 to 5/8)	6	F061	1/4 Internal Star Lock Washer		2
16	7015-16	Hose (5/16 x 14-1/2)	1	F069	3/32 x 1/2 Cotter Pin		1
17	NS	Fuel Filter (19204-43010 Kubota)	1	F079	A/A66D Aluminum Pop Rivet		2
18	7015-17	Hose (5/16 x 25-1/2)	1	F091	5/16-18 x 5/8 Hex Bolt		2
19	7021	Fuel Filter (15231-43560 Kubota)	1	F182	5/8 x 1/4 x 1/8 Washer		2
20	7389	Splash Guard	1	F235	5/16-18 x 2-1/2 Hex Bolt		1
21	7048	Trash Guard	1	F324	M8 x 1.25 x 12 Hex Bolt		2
22	7015-15	Hose (5/16 x 17-1/2)	1	* Service Part Only			
23	NS	Fuel Pump (12691-52031 Kubota)	1	NOTE: Refer to ELECTRICAL CONNECTORS , Page 42 for identification of all Electrical Wiring Service Parts.			
24	7020	Fuel Filter (In-Line)	1	NOTE: Decals for this assembly are not shown here. Refer to TRACTOR DECALS , Page 2 for Decal listing and placement information.			
25	8046-8	Fuel Tank, 5 Gallon, Diesel (Includes Items # 27 & 30)	1				
26	5082-2	Fuel Cap Seal	*				
27	7082	Fuel Tank Cap, Diesel (Includes Item # 26)	*				

ENGINE GROUP



AIR INTAKE AND EXHAUST GROUP

ITEM NO.	PART NO.	DESCRIPTION	NO. REQ'D
----------	----------	-------------	-----------

Precleaner Assembly

1	7026-2	Remote Precleaner (Includes Item # 5)	1
2	7440	Shock Mount (1.0 OD x .75)	3
3	7028-20	Rear Precleaner Mount	1
4	7027	Elbow, Precleaner	1
5	7840	Hose Clamp (1-5/16 to 2-1/4)	3
6	5088-10	Air Cleaner Assembly (Includes Item # 15)	*
7	5088-1	Air Cleaner Band	1
8	5090-3	Safety Filter Insert	1
9	5090-1	Air Cleaner Cartridge	1
10	5088-5	Air Cleaner Draw Latch	2
11	5088-11	Air Cleaner Cap	1
12	5090-2	Vacuator Valve	1
13	6029	Hose Clamp (2-1/2)	1
14	7016	Air Intake Hose	1
15	5091-10	Air Flow Indicator & Nipple	1
16	7031	Tube Support Arm	1
17	7028-3	Precleaner Tube, SD	1
18	7028-2	Precleaner Tube, GHS	1

Exhaust Assembly

19	7437-1	Exhaust Manifold Shield	1
20	NS	Spring Washer (04512-50080 Kubota)	4
21	7437-6	Engine Brace (Includes Items # 19, F002 & F025)	1
22	NS	Muffler (15262-12110 Kubota)	1
23	NS	Muffler Gasket (15371-12370 Kubota)	2
24	7034	Spacer, Muffler	1
25	7354	Motor Mount	2
26	7306-15	Water Temperature Sender	1
27	7306-12	Temperature Sender Adapter	1
28	7306-13	Oil Pressure Switch	1
29	7023	Oil Filter (15841-32439 Kubota)	1
30	7047-2	Manifold Heat Shield	1
31	7013-2	Tail Pipe	1

ITEM NO.	PART NO.	DESCRIPTION	NO. REQ'D
----------	----------	-------------	-----------

Fasteners

F002	10-24 Keps Nut	2
F009	5/16-18 Whiz Locknut	10*
F012	3/8-16 Keps Nut	1
F025	10-24 x 3/8 PPHMS	2
F038	3/8-16 x 1 Hex Bolt	2**
F091	5/16-18 x 5/8 Hex Bolt	2
F217	7/16-14 Hex Nut	4
F218	7/16 Split Lock Washer	4
F219	7/16-14 x 1-1/4 Hex Bolt (GHS Models use only 3)	4
F226	5/16-18 x 7/8 Hex Bolt	1
F239	7/16-14 x 1-1/2 Hex Bolt	1***
F249	M10 Split Lock Washer	8
F253	M8 x 1.25 x 35 GR 8 Bolt	3
F255	5/16-18 x 1-1/2 Hex Bolt	2
F311	M10 x 1.25 x 20 Hex Bolt	8
F327	M8 x 1.25 x 40 GR8 Hex Bolt	1

* Two (2) F009 and two (2) F035 fasteners are reused from Clutch Lever Assembly. Refer to **MAIN COMPONENT POWER TRANSMISSION (GHS OR SD MODELS)**, Pages 10 or 12.

** One (1) F012 and one (1) F038 fastener are reused from Rear Bumper Assembly. Refer to **BODY / CHASSIS ASSEMBLY (GHS MODELS)**, Page 4.

*** GHS Models Only

RADIATOR GROUP

ITEM NO.	PART NO.	DESCRIPTION	NO. REQ'D	ITEM NO.	PART NO.	DESCRIPTION	NO. REQ'D
Radiator Assembly				Fasteners			
1	7840-4	Hose Clamp (3/4 to 1-1/2)	1	F004		1/4-20 Keps Nut	6
2	7017-3	Upper Radiator Hose	1	F014		3/8-16 ESNA Nut	2
3	7840-3	Hose Clamp (1/2 to 1-1/4)	3	F029		1/4-20 x 1/2 Hex Bolt	5
4	7427-21	Fan Mount Tab, LH	2	F031		1/4-20 x 5/8 Hex Bolt	7
5	7429-6	Radiator Cooling Fan	1	F061		1/4 Internal Star Lock Washer	7
6	7427-5	Radiator Fan Shroud	1	F073		1/4 x 1.5 Fender Washer	2
7	NS	Recovery Tank Hose Clamp (15501-72470 Kubota)	2	F089		Belleville Washer SS	*
8	7015-6	Recovery Tank Hose (60")	1	F090		1/4-20 x 2-1/2 Hex Bolt	2
9	NS	Coolant Recovery Tank and Hose (19059-72090 Kubota)	1	F129		10-24 x 1/2 PTHMS	4
10	5975-3	Cable Tie (50# x 7")	2	F143		10-32 x 1/4 Whiz Lock Bolt	*
11	7427-9	Radiator Cap	*	F222		Thrust Washer	*
12	7427	Radiator	1	F237		Spring Ring	*
13	7431-1	Radiator Channel Seal (1/4 x 1/2 x 13.5)	2	F254		Fender Washer	*
14	7435	Radiator Brace	1	* Service Part Only			
15	7432	Shock Mount (1.00 OD x .75)	1	NOTE: Decals for this assembly are not shown here. Refer to TRACTOR DECALS , Page 2 for Decal listing and place- ment information.			
16	7425	Radiator Screen	1				
17	7426	Screen Channel	2				
18	7429-7	Fan Blade Replacement (Includes Items # F089, F143, F222, F237 & F254)	*				
19	7430	Radiator Guard	1				
20	5841	Retainer Washer (3/8 x 1-1/4)	2				
21	7434	Rubber Washer (3/8 x 1-1/4 x 1/4)	4				
22	7427-7	Debris Shield, Shroud	1				
23	7427-22	Fan Mount Tab, RH	2				
24	7017-2	Lower Radiator Hose	1				

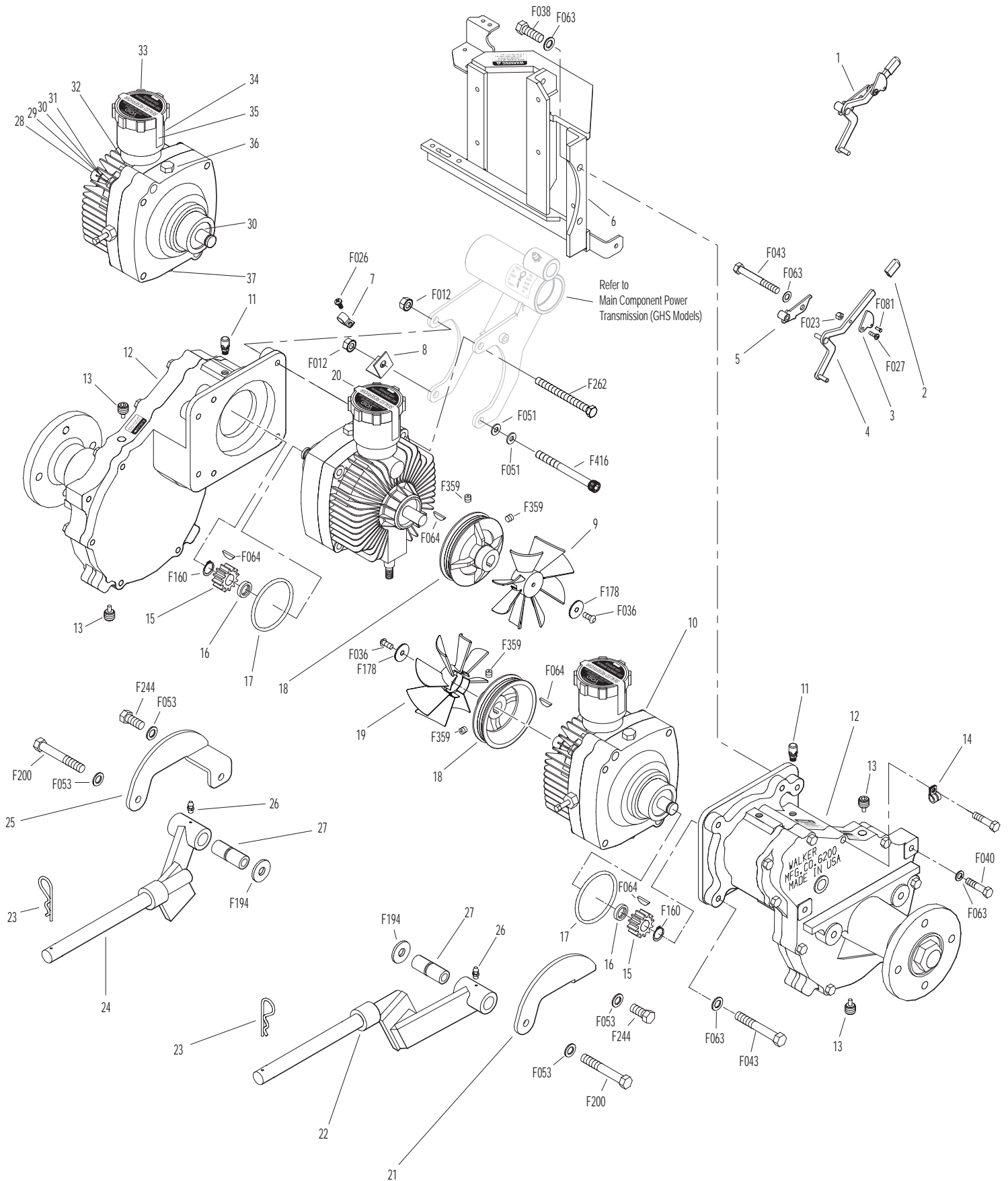
HYDROSTATIC GROUND DRIVE ASSEMBLIES

ITEM NO.	PART NO.	DESCRIPTION	NO. REQ'D	ITEM NO.	PART NO.	DESCRIPTION	NO. REQ'D
Transmission Lockout Assembly				Transmission Repair Parts			
1	5028-3	Transmission Lockout Assembly (Includes Items # 2-5, F023, F027 & F081)	*	28	5025-5	Input Shaft	*
2	5847	Plastic Tip	2	29	5025-8	Bearing, Input Shaft	*
3	5057	Lockout Cam (Includes Item # F081)	2	30	5025-7	Snap Ring	*
4	5028-5	Lockout Lever	2	31	5025-2	Seal, Input Shaft	*
5	5027-5	Lockout Mount	2	32	5022	Reservoir to Casting Gasket	*
Ground Drive Assemblies				33	5024	Reservoir Cap and Gasket	*
6	6209-1	Bridge Assembly	1	34	5023	Transmission Reservoir Kit	*
7	5832	Cable Clamp (1/2)	1	35	5023-1	Rubber Bladder	*
8	7394-7	Throttle Cable Mount Bracket	1	36	5025-6	O-Ring & Plug Assembly	*
9	6243-1	Hydro Fan, CW	1	37	5025-3	Seal, Control Shaft	*
10	5025	Hydrostatic Drive, CCW (700-042)	1	Fasteners			
11	6206-1	Air Vent Valve	*	F012	3/8-16 Keps Nut		2
12	6200-9	Gear Axle Drive Assembly (Includes Items # 11 & 13)	2	F023	10-24 ESNA Nut		2
13	6207-12	Pipe Plug (1/4 NPTF)	4	F026	10-24 x 1/2 PPHMS		1
14	5126	Cable Retainer (Uses existing bolt on Gear Axle Drive Assembly)	1	F027	10-24 x 5/8 PPHMS		2
15	6233-1	Pinion Gear	2	F036	1/4-20 x 1/2 SBH Screw		2
16	6234	Spacer, Pinion Gear	2	F038	3/8-16 x 1 Hex Bolt		4
17	6201	O-Ring Seal	2	F040	3/8-16 x 1-1/2 Hex Bolt		4
18	7244	Hydro Pulley (3-7/8/MV) (Includes Items # F064 & F359)	2	F043	3/8-16 x 3 Hex Bolt		7
19	6243-2	Hydro Fan, CCW	1	F051	3/8 SAE Washer		2
20	5026	Hydrostatic Drive, CW (700-041)	1	F053	7/16 Internal Star Lock Washer		4
Deck Support Arm Assemblies				F063	3/8 Internal Star Lock Washer		14
21	6430-10	Outboard Mount, LH	1	F064	1/8 x 1/2 Woodruff Key (#3)		4
22	6430-2	Deck Support Arm, LH (Includes Item # 26)	1	F081	A/A45D Aluminum Pop Rivet		2
23	5775-2	Hitch Pin (# 6)	2	F160	External Snap Ring (.669 Shaft)		2
24	6430-1	Deck Support Arm, RH (Includes Item # 26)	1	F178	1/4 x 1 Fender Washer		2
25	6430-9	Outboard Mount, RH	1	F194	7/16 x 1-1/4 x 1/8 Washer		2
26	5830	Grease Fitting	2	F200	7/16-20 x 3 Grade 8 Bolt		2
27	6840-1	Support Arm Bushing (2-1/16)	2	F244	7/16-20 x 3/4 Hex Bolt		2
				F262	3/8-16 x 4 Hex Bolt All Thread		1
				F359	5/16-18 x 5/16 Set Screw (Unbrako Knurl Point)		4
				F416	3/8-16 x 4 Socket Head Cap Screw		1
				* Service Part Only			

Use only genuine Walker® replacement parts.

Effective Date 09-15-07

HYDROSTATIC GROUND DRIVE ASSEMBLIES



Effective Date 09-15-07

Use only genuine Walker® replacement parts.

STEERING CONTROL ASSEMBLIES

ITEM NO.	PART NO.	DESCRIPTION	NO. REQ'D	ITEM NO.	PART NO.	DESCRIPTION	NO. REQ'D
Transmission Spring Assemblies				35	5450-3	Steering Lever Assembly, RH / Adjustable (Includes Items # 16, 21, 36, F188, F198 & F345)	1
1	6199-10	Transmission Spring Assembly (RH) (Includes Items # 2-8, F003, F287, F320 & F352)	*		5450-5	Steering Lever Arm, RH / Adjustable	*
2	5552	Ball Joint (1/4-28)	2	36	5453-20	Steering Lever Handle (+1"), Adjustable (Includes Items # 21, F188, F198 & F345)	2
3	5192-1	Spring Plunger (Male)	2	37	5862	FSC Knob	1
4	5194	Plunger Sleeve	2	38	7170	FSC Lever Assembly (Includes Item # 16)	1
5	5193	Washer (3/4 x 1 x .085)	2	39	5975-3	Cable Tie (50# x 7")	1
6	6191	Spring Slide (4-3/4)	1	40	5213-1	Control Rod, RH (15")	1
7	5195-2	Compression Spring (1 x 6-3/8)	2	Fasteners			
8	6196	Spring Slide Cap	1		F003	1/4-28 Hex Nut	3
9	5197	J-Bolt	1		F004	1/4-20 Keps Nut	8
10	5191	Spring Slide (3-5/8)	1		F007	5/16-18 Jam Nut	1
11	5199-10	Transmission Spring Assembly (LH) (Includes Items # 2-5, 7, 9, 10, F003, F146, F287 & F352)	*		F008	5/16-24 Keps Nut	2
Steering Lever & FSC Assemblies					F009	5/16-18 Whiz Locknut	1
12	5214-2	Ball Joint (5/16-24) Nylon Lined	2		F010	5/16-24 ESNA Nut	2
13	5173	FSC Actuator Rod	1		F012	3/8-16 Keps Nut	2
14	5172	Bearing, Nylon (.255 ID x .379 OD x .250)	1		F024	5/16-24 Jam Nut	2
15	5142-2	FSC Actuator Cam	1		F029	1/4-20 x 1/2 Hex Bolt	2
16	5830	Grease Fitting	6		F032	1/4-20 x 3/4 Hex Bolt	4
17	6212	Transmission Control Arm, RH	1		F034	5/16-18 x 3/4 Hex Bolt	1
18	5141	FSC Friction Washer (1-1/2 x 3/8 x 1/16)	2		F050	1/4 SAE Washer	3
19	5140-15	FSC Friction Body (Includes Item # 16)	1		F051	3/8 SAE Washer	2
20	5142-7	FSC Key W/Stop	1		F064	1/8 x 1/2 Woodruff Key (#3)	2
	5140-13	FSC Control Assembly (Includes Items # 16, 18-20, F192 & F193)	*		F068	1/8 x 1 Cotter Pin	1
21	5850-2	Handle Grip, Foam (5-1/2)	2		F069	3/32 x 1/2 Cotter Pin	1
22	5212-2	Transmission Control Arm, LH	1		F093	5/16-18 x 1 Hex Bolt	1
23	5213-2	Control Rod, LH (6")	1		F146	1/4-20 Jam Nut	1
24	5223	Extension Spring (1/4 x 5-1/2)	2		F182	5/8 x 1/4 x 1/8 Washer	2
25	5450	D-Clip	2		F183	.312 x .700 x .074 Washer	2
26	5463	Steering Lever Actuator	2		F186	5/64 x 1/2 Cotter Pin	1
27	5214-1	Bearing (.320 x .438 x .250)	2		F188	1/4-20 Self-Locking Nut	4
28	5391-3	Steering Lever Support	1		F192	3/8-24 Self-Locking Nut	1
29	5217	Pivot Pin, Steering Lever	1		F193	3/8 Belleville Spring Washer	3
30	5451-3	Steering Lever Assembly, LH / Adjustable (Includes Items # 16, 21, 36, F188, F198 & F345)	1		F198	.250 x .625 x .040 Washer, SS	2
	5451-5	Steering Lever Arm, LH / Adjustable	*		F287	1/4-28 Keps Nut	2
31	5219	Extension Spring (3/4 x 6-3/4)	1		F320	1/8 x 3/4 Split Spring Pin	1
32	5280-1	Turnbuckle Clevis 1/4"	1		F345	1/4-20 x .770 Knurled Bolt	4
33	5281-5	Clevis Pin (1/4 x 0.80)	1		F352	5/32 x 1 Heavy Duty Roll Pin	2
34	5470-1	Speed Control Stop	1		F401	.504 x .751 x .030 Washer	1
				*	Service Part Only		

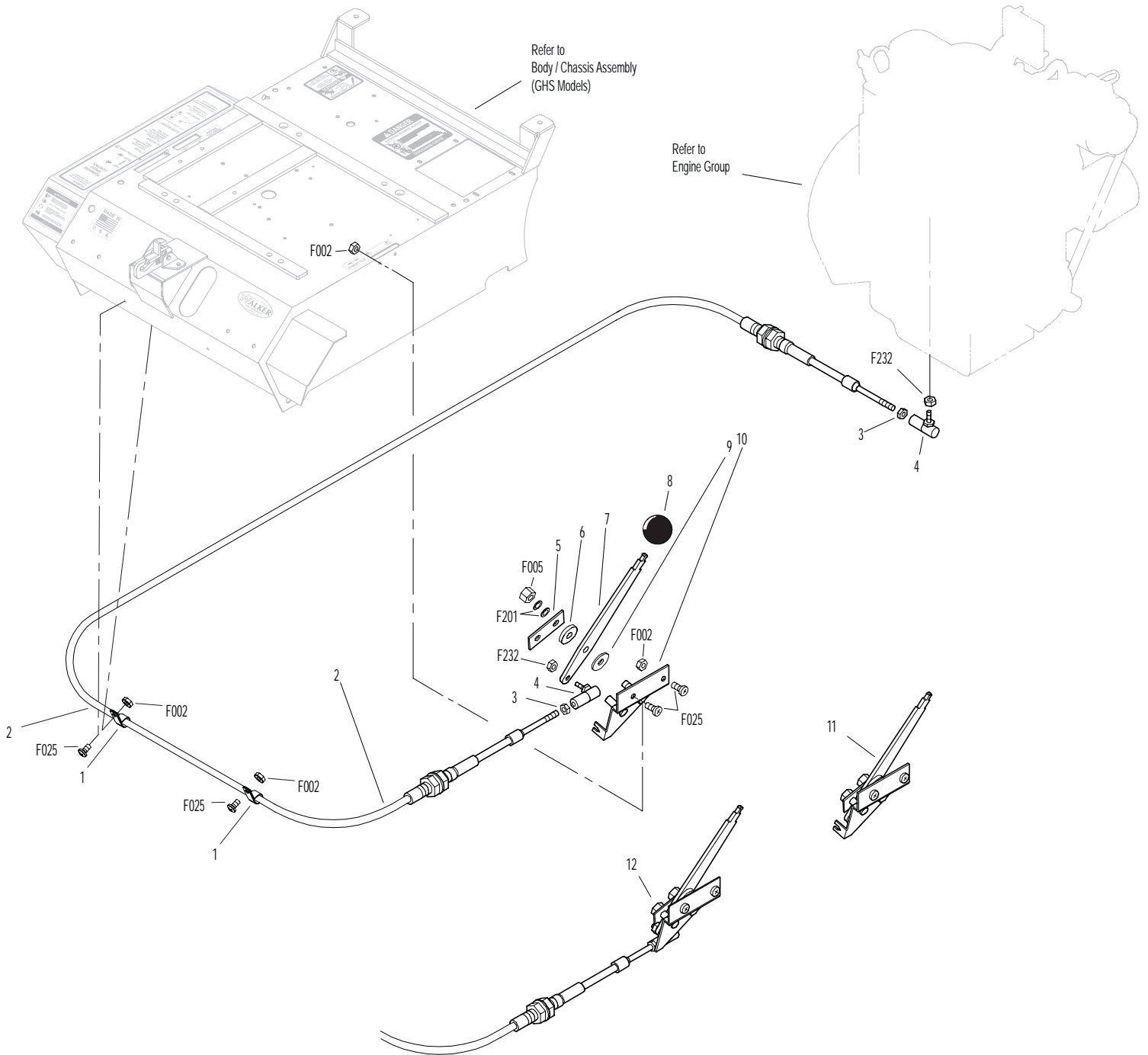
Use only genuine Walker® replacement parts.

Effective Date 09-15-07

THROTTLE CONTROL ASSEMBLIES

ITEM NO.	PART NO.	DESCRIPTION	NO. REQ'D	ITEM NO.	PART NO.	DESCRIPTION	NO. REQ'D
Throttle & Choke Control Assemblies				Fasteners			
1	5833	Cable Clamp (1/4)	2		F002	10-24 Keps Nut	4
2	7220	Throttle Cable	1		F005	1/4-20 ESNA Nut	1
3	NS	10-32 Jam Nut	2		F025	10-24 x 3/8 PPHMS	4
4	5150	Ball Joint (10-32)	2		F201	1/4 Belleville Spring Washer	2
5	5108-7	Control Lock Tab	1		F232	10-32 Keps Nut	2
6	5108-10	Friction Washer (.125)	1				
7	5108-1	Control Lever, Throttle	1	*		Service Part Only	
8	5108-5	Throttle Control Knob, Red	1				
9	5108-11	Friction Washer (.062)	1				
10	5108-8	Control Bracket (Diesel)	1				
11	7108	Control Assembly (Includes Items # 5-7, 9, 10 & F201)	*				
12	7112	Throttle Control and Cable Assembly (Complete Control and Cable Assembly) (Includes Items # 2, 4, 8, 11 & F232)	*				
				NOTE: Decals for this assembly are not shown here. Refer to TRACTOR DECALS , Page 2 for Decal listing and placement information.			

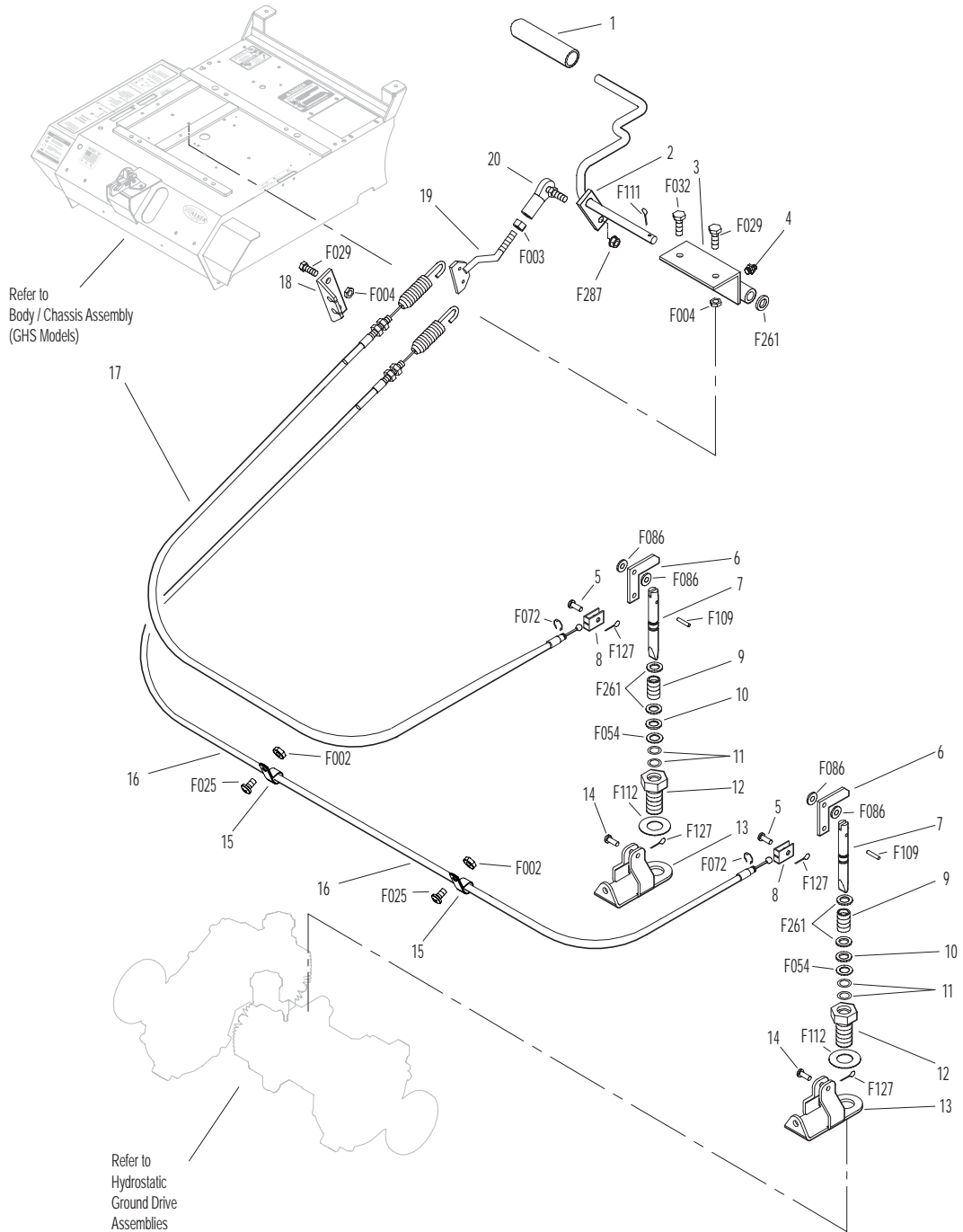
THROTTLE CONTROL ASSEMBLIES



PARKING BRAKE ASSEMBLY

ITEM NO.	PART NO.	DESCRIPTION	NO. REQ'D	ITEM NO.	PART NO.	DESCRIPTION	NO. REQ'D
Parking Brake Assembly				Fasteners			
1	7406-1	Handle Grip, Red	1	F002		10-24 Keps Nut	2
2	7406-8	Parking Brake Lever (4-1/4)	1	F003		1/4-28 Hex Nut	1
3	7406-2	Lever Mount	1	F004		1/4-20 Keps Nut	4
4	5830	Grease Fitting	1	F025		10-24 x 3/8 PPHMS	2
5	7407	Clevis Pin (3/16 x 1/2)	2	F029		1/4-20 x 1/2 Hex Bolt	3
6	7404	Brake Actuator Arm	2	F032		1/4-20 x 3/4 Hex Bolt	1
7	7405	Pin, Transmission Lock	2	F054		AN960616 Washer	2
8	7402	Clevis	2	F072		1/4 "E" Retainer Ring	2
9	7408	Compression Spring (1/2 x 3/4)	2	F086		#10 SAE Washer	4
10	7415	Rubber Dust Shield (5/8 x 3/8 x 1/32)	2	F109		1/8 x 5/8 Roll Pin	2
11	5567-3	O-Ring Seal (1/4 x 3/8)	4	F111		1/8 x 3/4 Cotter Pin	1
12	7403	Plunger Bushing, Gear Axle	2	F112		5/8 x 1-1/4 x .03 Washer	2
13	7404-1	Brake Actuator Mount	2	F127		1/16 x 1/2 Cotter Pin	4
14	7412	Clevis Pin (3/16 x 5/8)	2	F261		AN960616L Washer	5
15	5833	Cable Clamp (1/4)	2	F287		1/4-28 Keps Nut	1
16	7410	Brake Control Cable, LH (25.5")	1				
17	7409	Brake Control Cable, RH (20.5")	1				
18	7401-3	Cable Mount Bracket	1				
19	7401-1	Cable Pull Rod	1				
20	5552	Ball Joint (1/4-28)	1				

PARKING BRAKE ASSEMBLY



GHS GROUP

ITEM NO.	PART NO.	DESCRIPTION	NO. REQ'D
----------	----------	-------------	-----------

Delivery Chute Assembly

When Optional 7.0 Bushel Catcher Assembly is purchased, Item # 6 is replaced by P/N 7511-1 (Delivery Chute Assembly, 7.0).

1	5515-2	Elbow Delivery Spout	1
2	5592-13	Backing Plate, Grass-Pak [®] Switch	1
3	5592-12	Mount Plate, Grass-Pak [®] Switch	1
4	5578	Rear Clip, Chute Mount	1
5	5577	Side Clip, Chute Mount	2
6	8511-1	9.5 Delivery Chute W/Clips (Includes Items # 4, 5, 7, F362 & F411)	1
	7511-1	7.0 Delivery Chute W/Clips (Includes Items # 4, 5, 7, F362 & F411)	*
7	5578-10	Front Clip, Chute Mount	1
8	7530-4	Body Chute (10.5 Blower)	1

Blower Belt Tightener Assembly

9	7238-6	Blower Drive Pulley (Includes Items # F075, F114 & F231)	1
10	7234-2	Blower Belt (Micro-V)	1
11	7239-1	Blower Pulley (Micro-V) (Includes Items # F067, F075 & F114)	1
12	7364-2	Torsion Spring	1
13	7201-3	DU Bearing	2
14	5830-3	Grease Fitting (45 Deg.)	1
15	7364-1	Blower Belt Tightener Arm	1
16	7201-4	Inner Race (1-1/2)	1
17	5841	Retainer Washer (3/8 x 1-1/4)	1
18	5245	Idler Pulley (3")	1

Blower Assembly

19	5268	Bearing W/Collar (3/4)	2
20	7542	Blower Assembly (10.5") (Includes Items # 19, 21-26, F004, F050, F131, F168, F246 & F414)	1
21	7542-2	Blower Back Plate (10.5)	1
22	7545-2	Blower Output Shaft (10.5)	1
23	7545	Blower Wheel (10.5")	1
24	7542-4	Blower Scroll (10.5)	1
25	7542-3	Blower Faceplate (10.5)	1
26	7526	Intake Tube (10.5 Blower)	**
27	5595-2	Intake Cover/GHS	1
28	7833	Cable Clamp (7/8 x 1/4)	1
29	7542-5	Blower Coupler Nut	1
30	7528-2	Skid Bar (10.5" Blower)	1

ITEM NO.	PART NO.	DESCRIPTION	NO. REQ'D
----------	----------	-------------	-----------

Fasteners

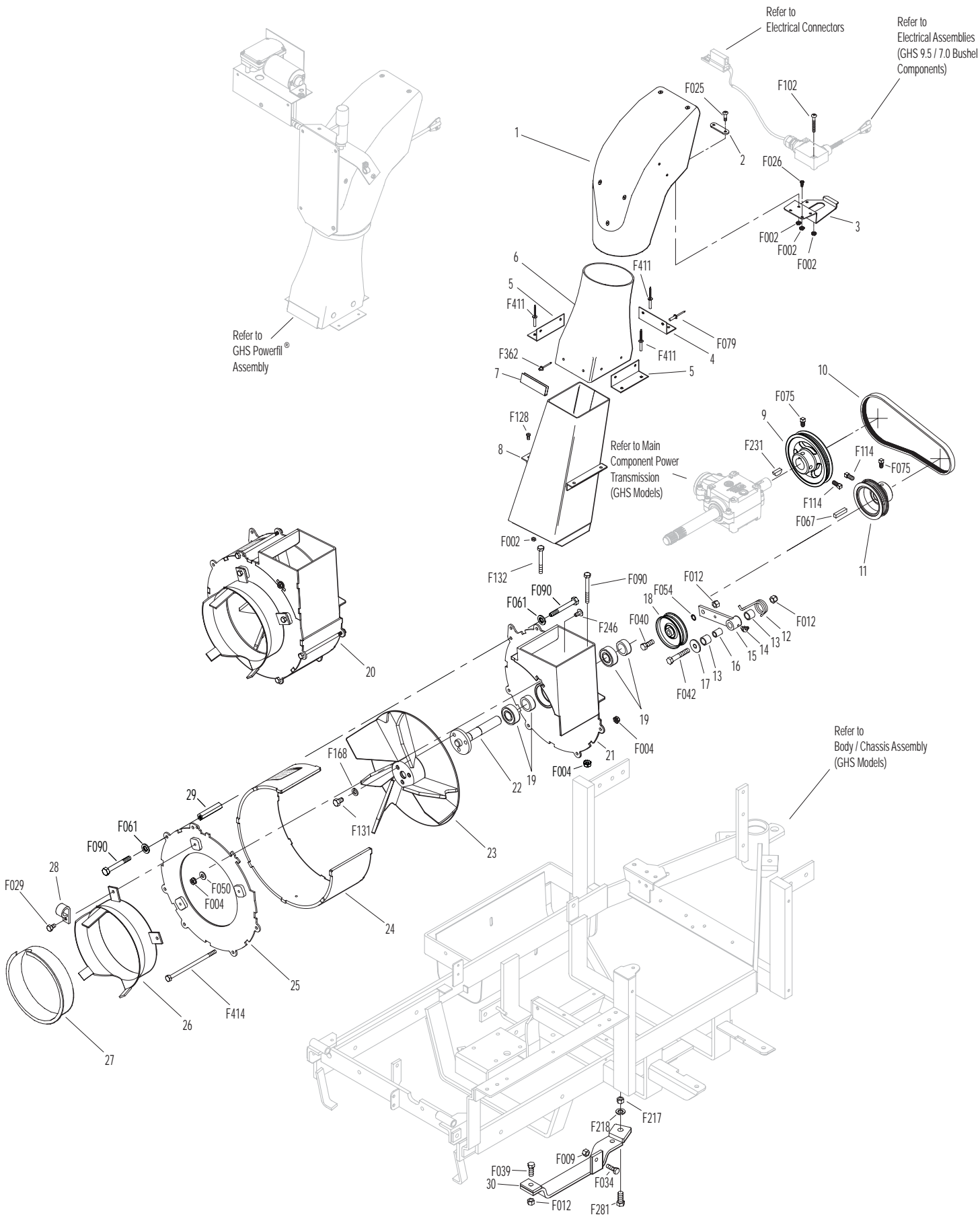
F002	10-24 Keps Nut	8
F004	1/4-20 Keps Nut	8
F009	5/16-18 Whiz Locknut	1
F012	3/8-16 Keps Nut	3
F025	10-24 x 3/8 PPHMS	2
F026	10-24 x 1/2 PPHMS	2
F029	1/4-20 x 1/2 Hex Bolt	3
F034	5/16-18 x 3/4 Hex Bolt	1
F039	3/8-16 x 1-1/4 Hex Bolt	1
F040	3/8-16 x 1-1/2 Hex Bolt	1
F042	3/8-16 x 2-1/4 Hex Bolt	1
F050	1/4 SAE Washer	1
F054	AN960616 Washer	1
F061	1/4 Internal Star Lock Washer	2
F067	3/16 x 3/16 x 1 Key	1
F075	5/16-18 x 1/2 SQH Set Screw	2
F079	A/A66D Aluminum Pop Rivet	6
F090	1/4-20 x 2-1/2 Hex Bolt	3
F102	10-24 x 1-1/2 PTHMS	2
F114	5/16-18 x 5/8 SQH Set Screw	2
F128	10-24 x 3/8 PTHMS	4
F131	5/16-18 x 1/2 Hex Bolt	3
F132	1/4-20 x 2-3/4 Hex Bolt	1
F168	5/16 Split Lock Washer	3
F217	7/16-14 Hex Nut	1
F218	7/16 Split Lock Washer	1
F231	1/4 x 3/4 Woodruff Key (# 806)	1
F246	1/4-20 x 1/2 PTHMS	1
F281	7/16-14 x 1-3/4 Hex Bolt	1
F362	A/A62D Alum. Pop Rivet (3/16D x 13/32L)	2
F411	3/16 Bulbex Rivet	6
F414	1/4-20 x 5-1/8 Grade 5 Hex Bolt	5

* Service Part Only

** Plugs Blower when GHS is not in use. Furnished only with Mulching Decks, SD Decks used on a GHS Tractor, Rotary Broom Attachment and Snowblower Attachment.

NOTE: Refer to **ELECTRICAL CONNECTORS**, Page 42 for identification of all Electrical Wiring Service Parts.

GHS GROUP



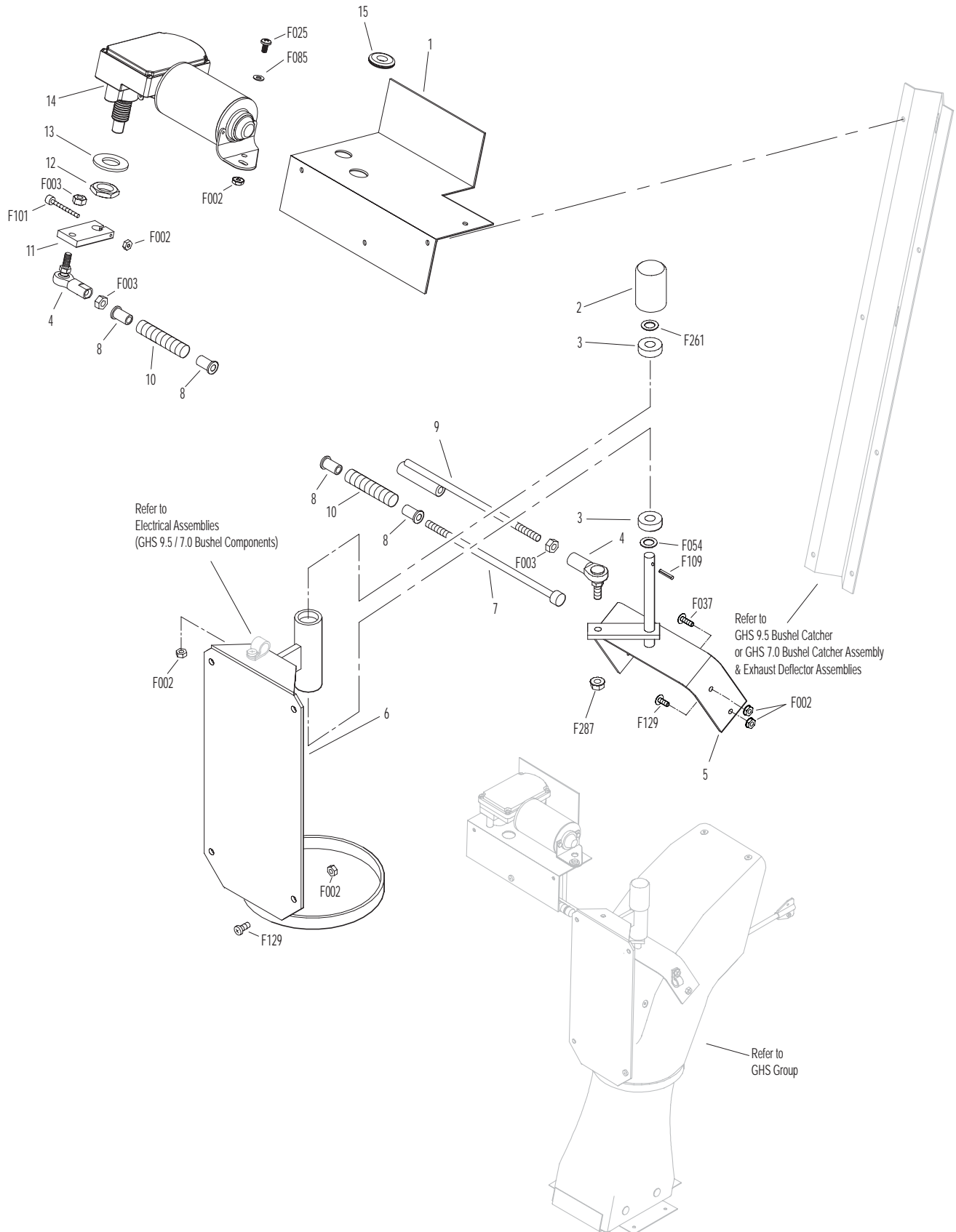
Effective Date 09-15-07

Use only genuine Walker® replacement parts.

GHS POWERFIL[®] ASSEMBLY

ITEM NO.	PART NO.	DESCRIPTION	NO. REQ'D	ITEM NO.	PART NO.	DESCRIPTION	NO. REQ'D
GHS Powerfil[®] Assembly				Fasteners			
1	5557	Motor Mount, Powerfil [®]	1	F002		10-24 Keps Nut	10
2	5551-3	Bearing Cap, Powerfil [®]	1	F003		1/4-28 Hex Nut	3
3	5551-1	Pivot Bearing (#S3PP)	2	F025		10-24 x 3/8 PPHMS	1
4	5552	Ball Joint (1/4-28)	2	F037		10-24 x 5/8 PTH Screw	1
5	5518-2	Pivot, Delivery Spout	1	F054		AN960616 Washer	1
6	5517-2	Pivot Mount	1	F085		3/16 Rivet Backup Washer	1
7	5558-1	Powerfil [®] Push Rod	1	F101		10-24 x 1-1/4 SHC Screw	1
8	5553-3	Bushing, Powerfil [®] Actuator	4	F109		1/8 x 5/8 Roll Pin	1
9	5558-2	Powerfil [®] Actuator Rod	1	F129		10-24 x 1/2 PTHMS	3
	5549	Actuator Rod Assembly (Includes Items # 4, 7-10, & F003)	*	F261		AN960616L Washer	1
10	5553-1	Compression Spring (1/2 x 2)	2	F287		1/4-28 Keps Nut	1
11	5554	Actuator Arm	1	* Service Part Only			
12	5519-3	Motor Mount Nut (5/8-24)	*				
13	5519-2	Motor Mount Washer	*				
14	5519	Actuator Motor (12/24V) (Includes Items # 12 & 13)	1				
15	5977	Grommet (1/2 x 7/8 x 1/16)	1				

GHS POWERFIL® ASSEMBLY



GHS 9.5 BUSHEL CATCHER ASSEMBLY

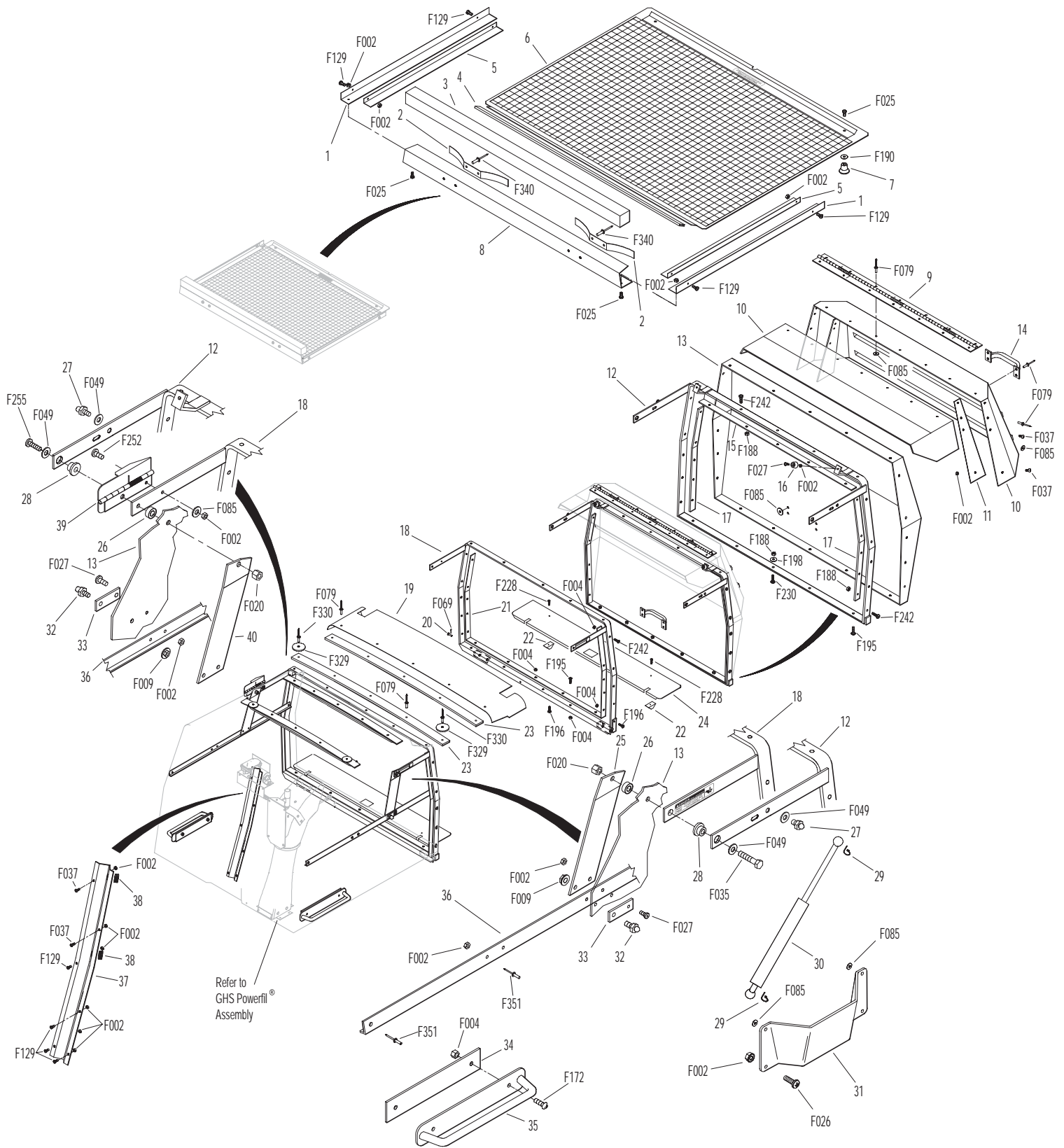
ITEM NO.	PART NO.	DESCRIPTION	NO. REQ'D	ITEM NO.	PART NO.	DESCRIPTION	NO. REQ'D
Upper Baffle Screen Assembly (Removable)				32	5155-13	3/4 Ball Stud	2
1	7509-3	Channel Bottom	2	33	5523-6	Gas Spring Plate	2
2	7505	Mustache Spring	2	34	7533	Backing Plate, Handle	2
3	7507	Screen Seal (27-1/2)	1	35	7532	Handle, Catcher Lift	2
4	7856-1	Edge Molding (26")	1	36	5155-15	Box Support, Gas Spring	2
5	7509-2	Channel Top	2	37	8117	9.5 Wire Harness Channel	1
6	7512-2	Removable Screen (3/16 Holes) (Includes Items # 7, F025 & F190)	1**	38	5976	Grommet (3/8 x 11/16)	2
7	7506	Knob/Threaded Insert (10-24)	2	39	7508	Safety Latch Kit (7.0/9.5)	1
8	7509-4	C-Channel	1	40	5522-2	Hinge Backup Plate, RH	1
Exhaust Deflector Assembly				Fasteners			
9	7504-3	Hinge (27")	1	F002	10-24 Keps Nut		29
10	7504-1	Exhaust Deflector (Two Piece Set)	1	F004	1/4-20 Keps Nut		16
	7504	Exhaust Deflector Kit	*	F009	5/16-18 Whiz Locknut		2
11	7504-8	Deflector Mount Doubler	2	F020	5/16-18 ESNA Nut		2
GHS 9.5 Bushel Catcher Assembly				F025	10-24 x 3/8 PPHMS		4
12	8514-11	9.5 Door Frame	1	F026	10-24 x 1/2 PPHMS		4
13	8510-1	9.5 Bushel Catcher, Including Door	1	F027	10-24 x 5/8 PPHMS		4
	8502-1	9.5 Catcher Without Powerfil® (Includes Door & Deflector)	*	F035	5/16-18 x 1-1/4 Hex Bolt		1
	8502-2	9.5 Catcher With Powerfil® (Includes Door & Deflector)	*	F037	10-24 x 5/8 PTH Screw		6
14	5583	Handle	1	F049	5/16 SAE Washer		4
15	7514-1	Backup Plate	1	F069	3/32 x 1/2 Cotter Pin		2
16	5588	Rubber Bumper (.75 x .50)	2	F079	A/A66D Aluminum Pop Rivet		20
17	8516	Side Strap, Door / 9.5	2	F085	3/16 Rivet Backup Washer		15
18	8503	Mounting Frame (Includes Item # 26)	1	F129	10-24 x 1/2 PTHMS		8
19	7512-10	Deflector Seal	1	F172	1/4-20 x 3/4 Carriage Bolt		4
20	5281-5	Clevis Pin (1/4 x .080)	2	F188	1/4-20 Self-Locking Nut		16
21	8513-3	9.5 Mounting Frame Doubler	1	F190	#10 Internal Star Lock Washer		2
22	7610-1	Dump Plate Slide	2	F195	1/4-20 x 3/4 PPHMS, SS		7
23	7584	Reinforcing Strap	2	F196	1/4-20 x 1 PPHMS, SS		3
24	7610	Catcher Dump Plate	1	F198	.250 x .625 x .040 Washer, SS		5
25	5522-1	Hinge Backup Plate, LH	1	F228	#6 x 5/8 PPHSMS, SS		2
26	7503-9	Pivot Bushing (5/16 x 5/8)	2	F230	1/4-20 x 1-1/4 PPHMS, SS		1
27	5155-12	5/16 Ball Stud	2	F242	1/4-20 x 7/8 PPHMS, SS		23
28	5524-1	Flanged Hinge Bearing	2	F252	10-24 x 3/4 PPHMS		1
29	5147	Spring Clip	4	F255	5/16-18 x 1-1/2 Hex Bolt		1
30	5155	Gas Spring Assembly / Catcher Door (Includes Items # 27, 29, 32 & F049)	2	F329	.200 ID x 1.939 OD Washer		2
31	5155-2	Gas Spring Cover	2	F330	3/16 D x 21/32 L Rivet, SS		2
				F340	Rivet, Aluminum		4
				F351	Aluminum Pop Rivet		3
				* Service Part Only			
				** This screen can be replaced by P/N 7512-3 Removable Screen (3/4" hole) for improved air flow performance in wet conditions.			

NOTE: Refer to **ELECTRICAL CONNECTORS**, Page 42 for identification of all Electrical Wiring Service Parts.

Use only genuine Walker® replacement parts.

Effective Date 09-15-07

GHS 9.5 BUSHEL CATCHER ASSEMBLY



Effective Date 09-15-07

Use only genuine Walker® replacement parts.

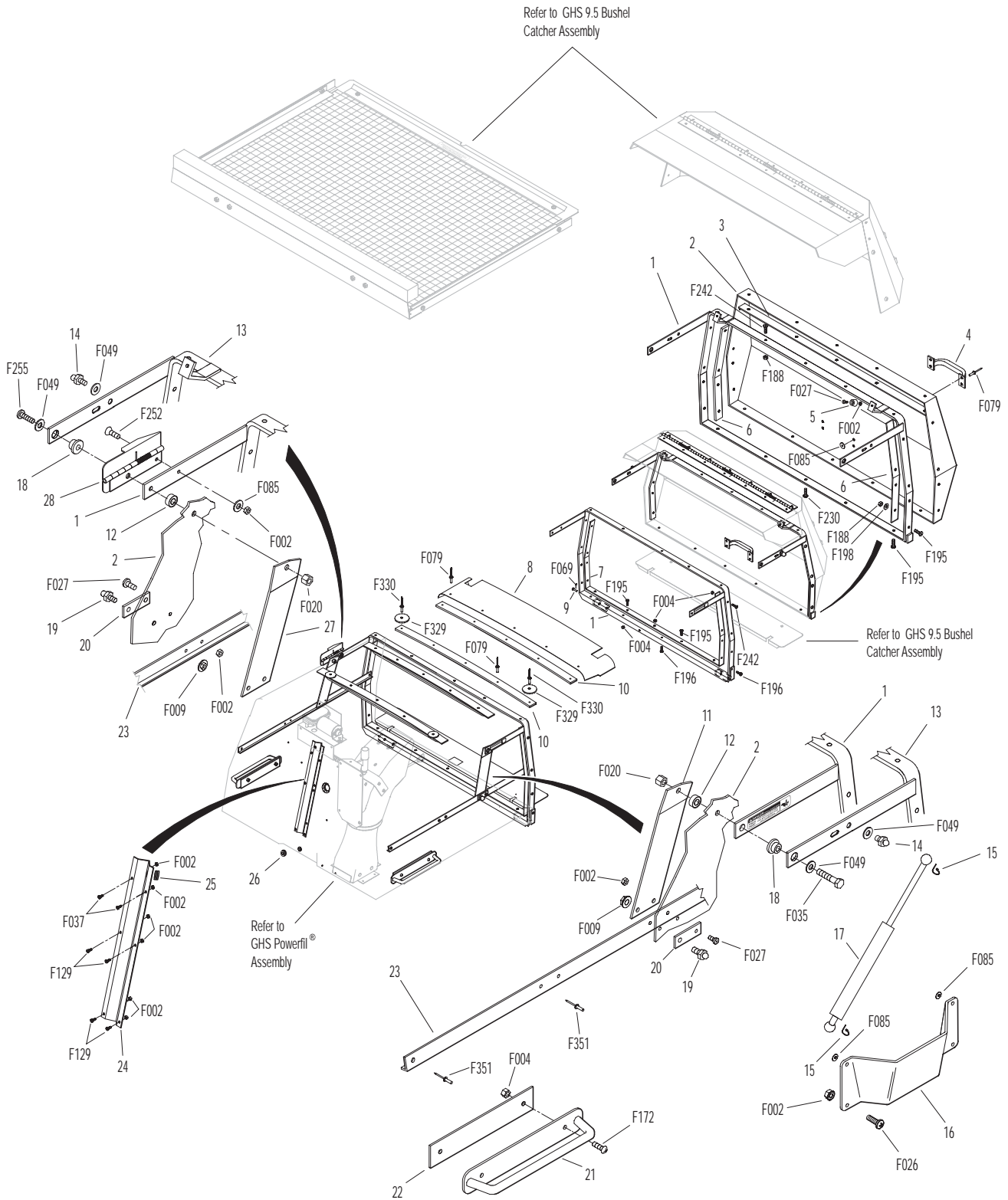
GHS 7.0 BUSHEL CATCHER & EXHAUST DEFLECTOR ASSEMBLIES

ITEM NO.	PART NO.	DESCRIPTION	NO. REQ'D
GHS 7.0 Bushel Catcher Assembly			
May be ordered as a factory-installed option. Contact your Walker dealer.			
1	7503	Mounting Frame (7.0) (Includes Item # 12)	1
2	7510-1	7.0 Bushel Catcher, Including Door	1
	7502-1	7.0 Catcher, Without Powerfil® (Includes Door & Deflector)	*
	7502-2	7.0 Catcher (With Powerfil®) (Includes Door & Deflector)	*
3	7514-1	Backup Plate	1
4	5583	Handle	1
5	5588	Rubber Bumper (.75 x .50)	2
6	7522	Side Strap, Door (7.0)	2
7	7513-2	7.0 Mounting Frame Doublor	1
8	7512-10	Deflector Seal	1
9	5281-5	Clevis Pin (1/4 x 0.80)	2
10	7584	Reinforcing Strap	2
11	5522-1	Hinge Backup Plate, LH	1
12	7503-9	Pivot Bushing (5/16 x 5/8)	2
13	7514-10	7.0 Door Frame, Catcher	1
14	5155-12	5/16 Ball Stud	2
15	5147	Spring Clip	4
16	5155-2	Gas Spring Cover	2
17	5155	Gas Spring Assembly / Catcher Door (Includes Items # 14, 15, 19 & F049)	2
18	5524-1	Flanged Hinge Bearing	2
19	5155-13	3/4 Ball Stud	2
20	5523-6	Gas Spring Plate	2
21	7532	Handle, Catcher Lift	2
	7534	Catcher Handle Kit (Includes Items # 21, 22, F004 & F172)	*
22	7533	Backing Plate, Handle	2
23	5155-15	Box Support, Gas Spring	2
24	7557-10	7.0 Wire Harness Channel	1
25	5976	Grommet (3/8 x 11/16)	1
26	5976-2	Grommet (3/16 x 3/4)	1
27	5522-2	Hinge Backup Plate, RH	1
28	7508	Safety Latch Kit (7.0/9.5)	1

ITEM NO.	PART NO.	DESCRIPTION	NO. REQ'D
5598 Optional Dump Bag (Not Shown)			
May be ordered as an option. Contact your Walker dealer. Not used with Power Dump Option.			
Fasteners			
	F002	10-24 Keps Nut	14
	F004	1/4-20 Keps Nut	13
	F009	5/16-18 Whiz Locknut	2
	F020	5/16-18 ESNA Nut	2
	F026	10-24 x 1/2 PPHMS	4
	F027	10-24 x 5/8 PPHMS	4
	F035	5/16-18 x 1-1/4 Hex Bolt	1
	F037	10-24 x 5/8 PTH Screw	2
	F049	5/16 SAE Washer	4
	F069	3/32 x 1/2 Cotter Pin	2
	F079	A/A66D Aluminum Pop Rivet	11
	F085	3/16 Rivet Backup Washer	9
	F129	10-24 x 1/2 PTHMS	4
	F172	1/4-20 x 3/4 Carriage Bolt	4
	F188	1/4-20 Self-Locking Nut	11
	F195	1/4-20 x 3/4 PPHMS, SS	14
	F196	1/4-20 x 1 PPHMS, SS	4
	F198	.250 x .625 x .040 Washer, SS	8
	F230	1/4-20 x 1-1/4 PPHMS, SS	1
	F242	1/4-20 x 7/8 PPHMS, SS	9
	F252	10-24 x 3/4 PPHMS	1
	F255	5/16-18 x 1-1/2 Hex Bolt	1
	F329	.200 ID x 1.939 OD Washer	2
	F330	3/16 D x 21/32 L Rivet, SS	2
	F351	Aluminum Pop Rivet	3

* Service Part Only

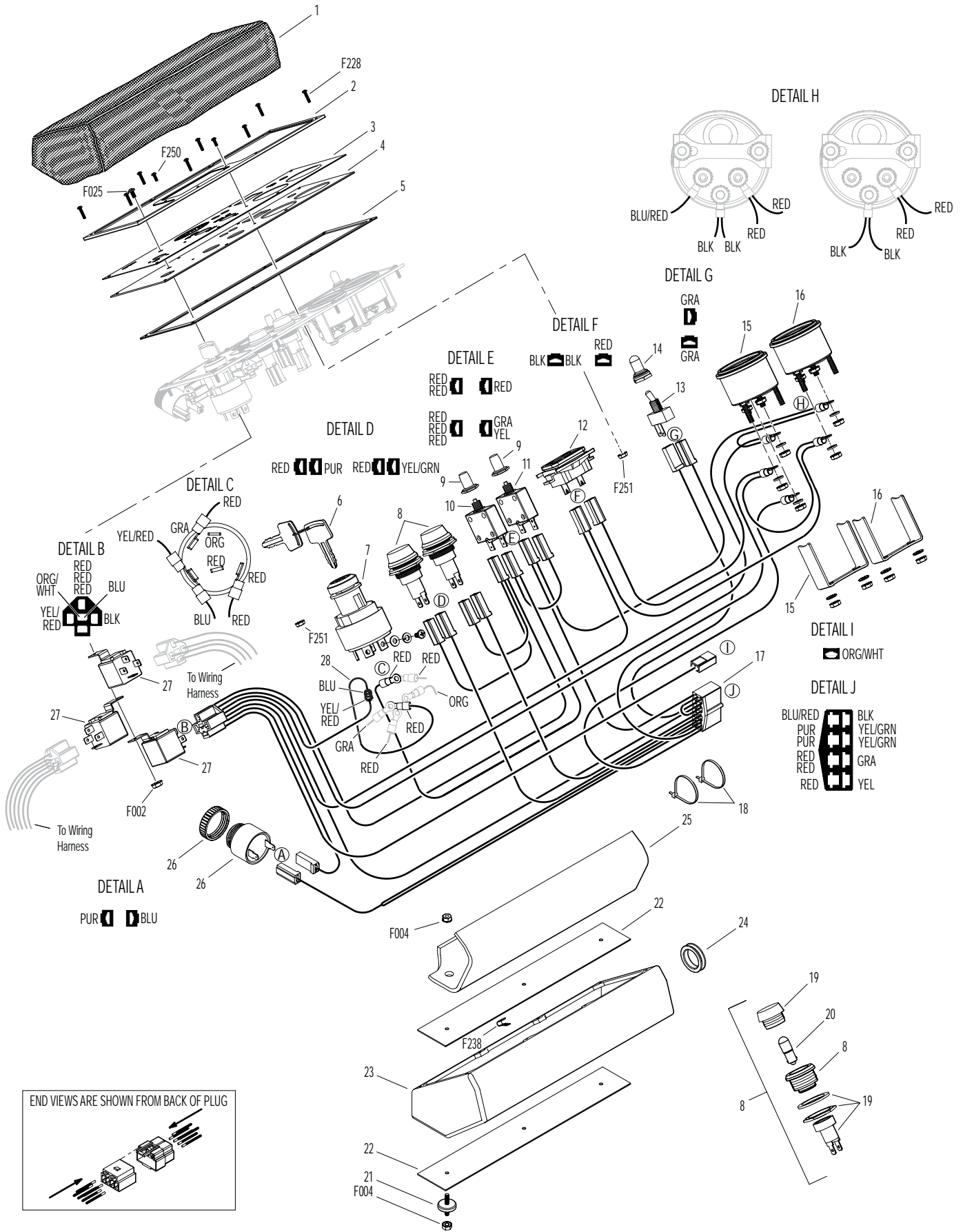
GHS 7.0 BUSHEL CATCHER & EXHAUST DEFLECTOR ASSEMBLIES



INSTRUMENT PANEL ASSEMBLY

ITEM NO.	PART NO.	DESCRIPTION	NO. REQ'D	ITEM NO.	PART NO.	DESCRIPTION	NO. REQ'D
Instrument Panel Assembly				20	8996-3	Indicator Bulb (Replacement for P/N 8996-2)	*
1	7307-2	Instrument Panel Cover (Optional)	**	21	7307-1	Shock Mount (1.0 x .25)	3
	7396-1	Instrument Panel Assembly (Includes Items #2-5, 7-17, 26-28, F228, F250 & F251)	1	22	7391	Panel Box Mount Plate	2
2	7307	Panel Frame	1	23	7385-1	Panel Box W/Graphic	1
3	7823-4	Decal, Instrument Panel	1	24	7977-1	Grommet (1/8 x 1-1/16)	1
4	7307-6	Panel Faceplate	1	25	7307-16	Lining, Panel Box (1/8)	1
5	7386	Panel Gasket	1	26	8536	Warning Horn	1
6	7960-6	Ignition Key (1 Set)	*	27	6941	Relay Switch (30/40 Amp) NC	3
7	7960-5	Ignition Switch (with Keys) (Includes Item # 6)	1	28	7947-8	Jumper Wire	1
8	8996-2	Red Indicator Light Assembly (Includes Items # 19 & 20)	2	Fasteners			
9	7941-3	Boot, Circuit Breaker	2		F002	10-24 Keps Nut	1
10	7941-5	Circuit Breaker (7 Amp)	1		F004	1/4-20 Keps Nut	6
11	7941-2	Circuit Breaker (10 Amp)	1		F025	10-24 x 3/8 PPHMS	1
12	8990-1	Hourmeter (SenDec)	1		F228	#6 x 5/8 PPHSMS, SS	8
13	5995	Toggle Switch (Off-On)	1		F238	J Clip, Instrument Panel C15520-6A	8
14	5995-2	Switch Boot	1		F250	6-32 x 1/2 PPHMS	2
15	7306-14	Water Temperature Gauge	1		F251	6-32 Keps Nut	2
16	8997	Voltmeter Gauge	1	* Service Part Only			
17	7947-3	Wire Harness, Instrument Panel	1	** May be ordered as an option. Contact your Walker dealer.			
18	5975-1	Cable Tie (18# x 3-3/4")	2				
19	8996-4	Red Indicator Lens	2				
				NOTE: Refer to ELECTRICAL CONNECTORS , Page 42 for identification of all Electrical Wiring Service Parts.			

INSTRUMENT PANEL ASSEMBLY



END VIEWS ARE SHOWN FROM BACK OF PLUG

Effective Date 09-15-07

Use only genuine Walker® replacement parts.

ELECTRICAL ASSEMBLY

ITEM NO.	PART NO.	DESCRIPTION	NO. REQ'D
----------	----------	-------------	-----------

Battery Assembly

1	5975-1	Cable Tie (18# x 3-3/4")	6
2	5933	Battery Terminal Insul., Red (+)	1
3	5844	Battery Hold-Down Bar	1
4	5839	Hook Bolt	2
5	6392	Battery Protector Plate	1
6	7390-1	Battery Pan	1
7	7910	Battery (12V/340CCA/Dry)	1
8	5932	Battery Terminal Insul., Black (-)	1
9	6923	Battery Cable (-)	1

Harness Assembly

10	5975-3	Cable Tie (50# x 7")	3
11	5833	Cable Clamp (1/4)	1
12	5942-4	PTO Safety Switch (NO)	1
13	7940-9	Wire Harness	1
14	5832	Cable Clamp (1/2)	4
15	8950	9.5 Wire Harness	1*
	7944	7.0 Wire Harness	1*
16	7938	Lead Wire (Battery Charge)	1
17	7306-10	Switch (235 Deg., 1/4-18 NPT)	1
18	7306-11	Switch (205 Deg., 3/8-18 NPT)	1
19	6941	Relay Switch 30/40 Amp (NC)	2
20	7433	Resistor, Ceramic / .4 OHM	1
21	7833	Cable Clamp (7/8 x 1/4)	2
22	7948-2	Time Delay Harness	1
23	7948-1	Time Delay Module	1
24	7428-1	Fan Control Module W/P Plug	1
25	5942-5	Safety Switch (NO)	1
26	6103-19	Adapter Harness	1
27	7834-2	Wire Saddle (2 Wires)	3
28	7943	Battery Cable (+)	1
29	8941	Circuit Breaker (30 Amp) (Auto Reset/Sealed)	1
30	7857-10	Breaker, Mount Bracket	1
31	7941	Circuit Breaker (40 Amp) (Auto Reset/Sealed)	1
32	7940-5	Circuit Breaker Jumper	1

ITEM NO.	PART NO.	DESCRIPTION	NO. REQ'D
----------	----------	-------------	-----------

Fasteners

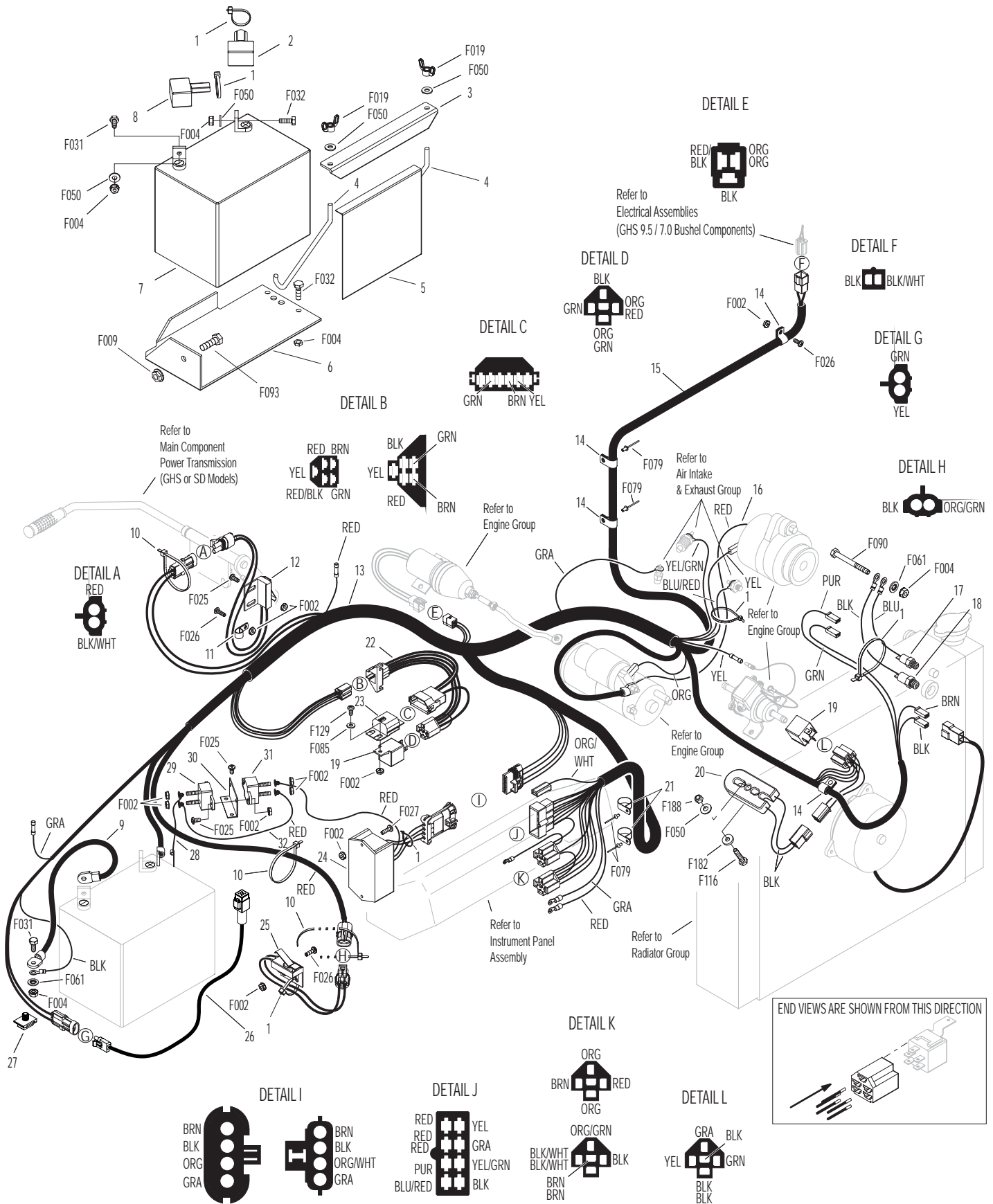
F002	10-24 Keps Nut	14
F004	1/4-20 Keps Nut	6
F009	5/16-18 Whiz Locknut	1
F019	1/4-20 ESNA Wing Nut	2
F025	10-24 x 3/8 PPHMS	3
F026	10-24 x 1/2 PPHMS	4
F027	10-24 x 5/8 PPHMS	2
F031	1/4-20 x 5/8 Hex Bolt	2
F032	1/4-20 x 3/4 Hex Bolt	2
F050	1/4 SAE Washer	5
F061	1/4 Internal Star Lock Washer	2
F079	A/A66D Aluminum Pop Rivet	7
F085	3/16 Rivet Backup Washer	1
F090	1/4-20 x 2-1/2 Hex Bolt	1
F093	5/16-18 x 1 Hex Bolt	1
F116	1/4-20 x 1-1/4 Hex Bolt	1
F129	10-24 x 1/2 PTHMS	1
F182	5/8 x 1/4 x 1/8 Washer	1
F188	1/4-20 Self Locking Nut	1

* Used on GHS Models with 9.5 Bushel Catcher only. When Optional GHS 7.0 Bushel Catcher is purchased, this part is replaced by P/N 7944 (7.0 Catcher Wire Harness). Refer to Optional **GHS 7.0 BUSHEL CATCHER & EXHAUST DEFLECTOR ASSEMBLIES**, Page 34.

NOTE: Refer to **ELECTRICAL CONNECTORS**, Page 42 for identification of all Electrical Wiring Service Parts.

NOTE: Decals for this assembly are not shown here. Refer to **TRACTOR DECALS**, Page 2 for Decal listing and placement information.

ELECTRICAL ASSEMBLY



Effective Date 09-15-07

Use only genuine Walker® replacement parts.

ELECTRICAL ASSEMBLIES (GHS 9.5 / 7.0 BUSHEL COMPONENTS)

ITEM NO.	PART NO.	DESCRIPTION	NO. REQ'D
----------	----------	-------------	-----------

Horn & Harness Channel Assemblies

1	5975-3	Cable Tie (50# x 7")	2
2	5536-2	Horn, Full Signal	*

Harness & Grass-Pak® Switch Assemblies

3	7835	Frame Clip (3/16)	6
4	8950	9.5 Wire Harness	1
	7944	7.0 Wire Harness	*
5	5833	Cable Clamp (1/4)	2
6	5980-3	Wire, Grass-Pak® Switch	1
7	5592-11	Liquid Tight Plug	1
8	5592-10	Grass-Pak® Switch Module	1
	5592-4	Grass-Pak® Switch Assembly (Includes Items # 6-8 & 9)	*
9	5594-5	Vane Assembly, Grass-Pak® Switch (Includes Items # F144 & F145)	1
10	5977-2	Grommet, Cut (1/8 x 3/8)	1

ITEM NO.	PART NO.	DESCRIPTION	NO. REQ'D
----------	----------	-------------	-----------

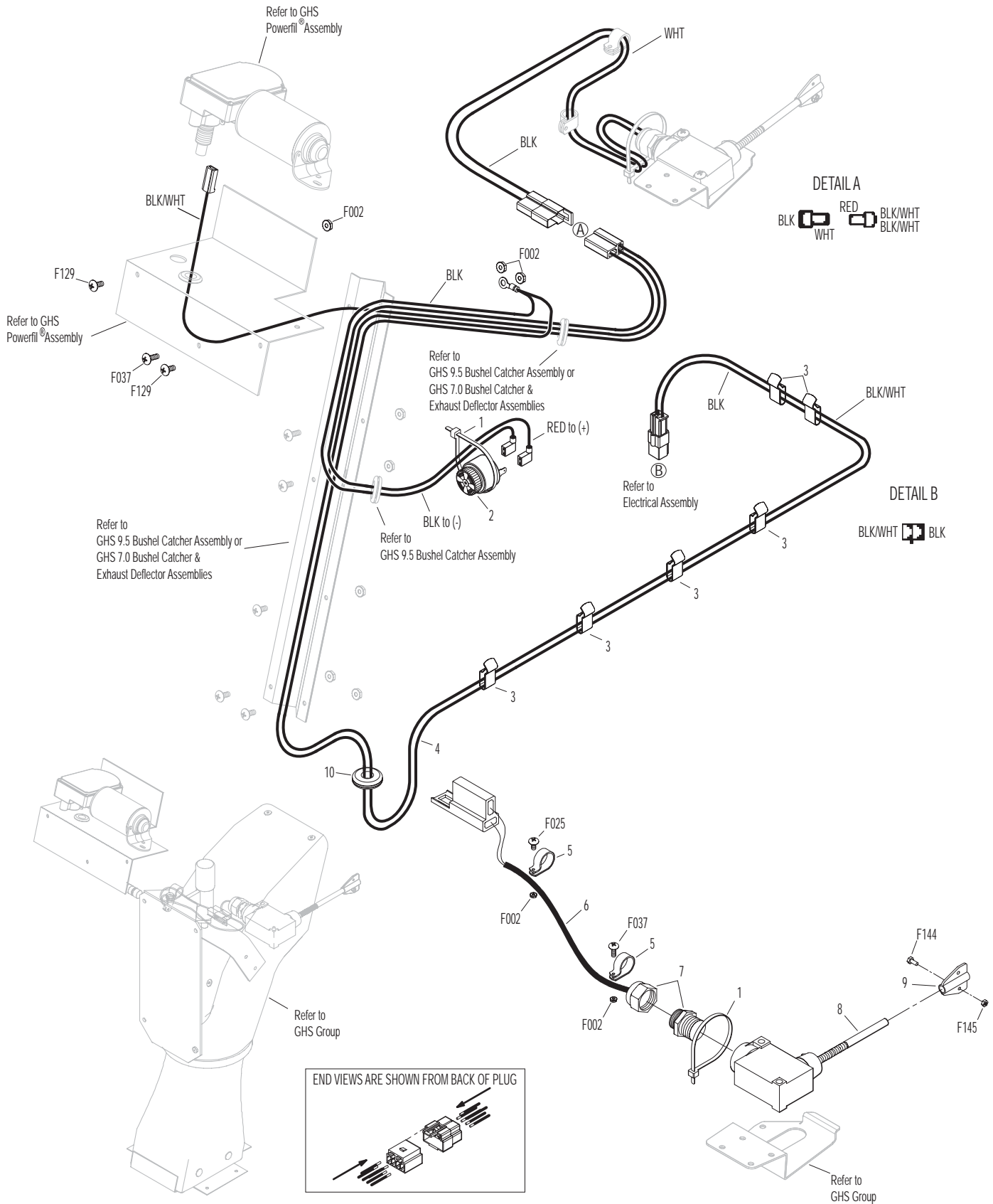
Fasteners

F002	10-24 Keps Nut	5
F025	10-24 x 3/8 PPHMS	1
F037	10-24 x 5/8 PTH Screw	2
F129	10-24 x 1/2 PTHMS	2
F144	4-40 x 1/4 PPHMS	1
F145	4-40 Keps Nut	1

* Service Part Only

NOTE: Refer to **ELECTRICAL CONNECTORS**, Page 42 for identification of all Electrical Wiring Service Parts.

ELECTRICAL ASSEMBLIES (GHS 9.5 / 7.0 BUSHEL COMPONENTS)



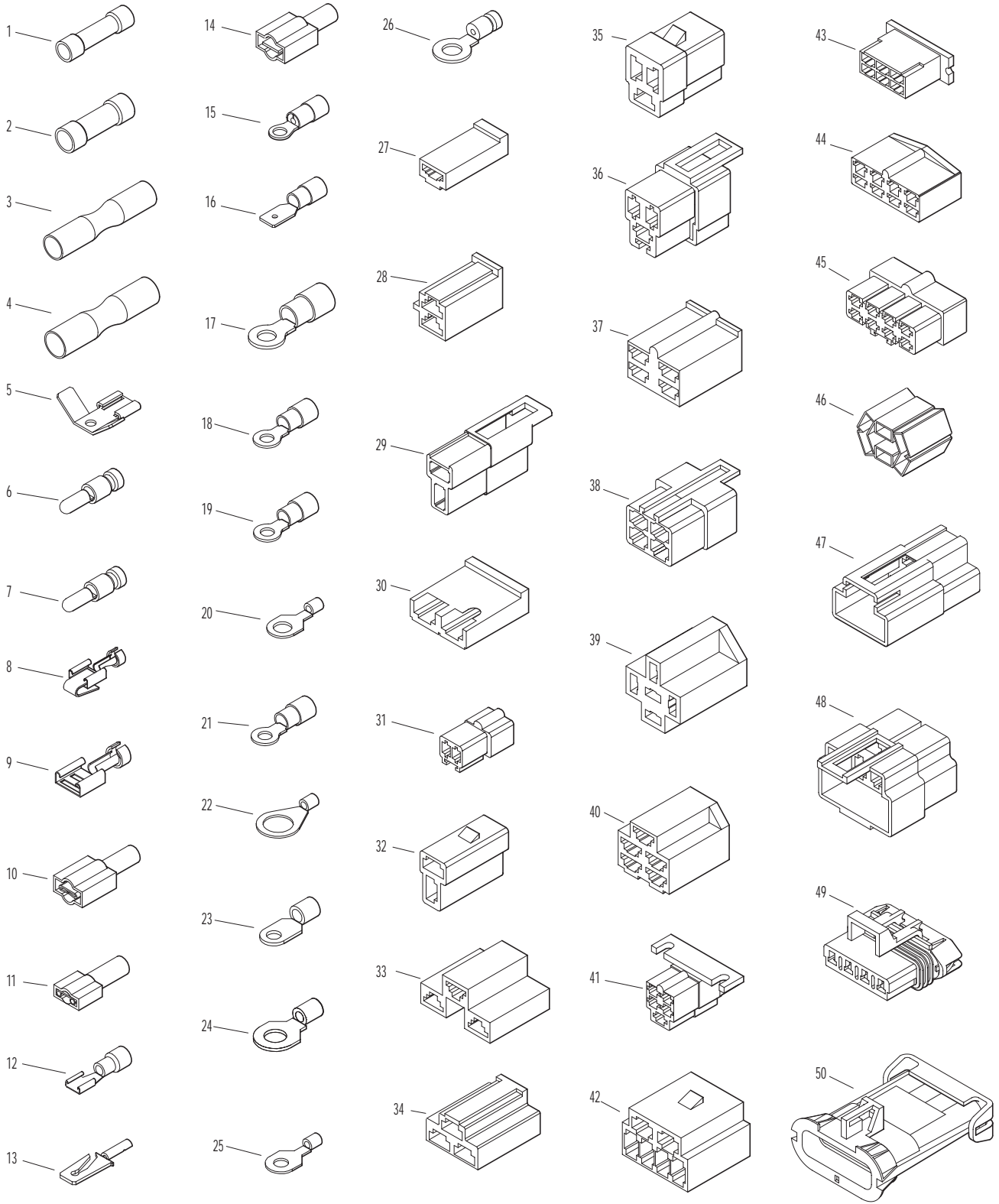
Effective Date 09-15-07

Use only genuine Walker® replacement parts.

ELECTRICAL CONNECTORS

ITEM NO.	PART NO.	DESCRIPTION	NO. REQ'D	ITEM NO.	PART NO.	DESCRIPTION	NO. REQ'D
Electrical Wiring Service Parts				29	7942-1	2-Way Locking Connector, Female	*
1	5996-1	16-14 GA Butt Connector	*	30	7942-2	2-Way Connector, Male	*
2	5996-11	12-10 GA Butt Connector	*	31	7942-3	2-Way Connector, Female	*
3	7942-14	16-14 GA Shrink Connector	*	32	7942-10	2-Way Locking Connector, Male	*
4	7942-13	12-10 GA Shrink Connector	*	33	5940-8	3-Way Connector, Male	*
5	5995-1	Wire Terminal Adapter	*	34	7942-9	3-Way Connector, Male	*
6	5996-4	16-14 GA Bullet Conn., Male	*	35	8944	3-Way Locking Connector, Male	*
7	5996-5	16-14 GA Bullet Conn., Female	*	36	8944-1	3-Way Locking Connector, Female	*
8	5940-4	16-14 GA Spg. Loaded Term., Female	*	37	7942-11	4-Way Connector, Male	*
9	5940-7	Wire Clip, Female	*	38	7942-12	4-Way Connector, Female	*
10	5996	1/4 x 16-14 GA QKS Term., Female	*	39	7942-5	5-Way Connector, Male	*
11	5996-2	3/16 x 22-18 GA QKS Term., Female	*	40	5940-2	5-Way Connector, Male	*
12	7996	16-14 GA QKS Term., Female	*	41	8942-1	5-Way Connector, Female	*
13	5940-5	16-14 GA Spg. Loaded Term., Male	*	42	7942-6	6-Way Connector, Male	*
14	5996-0	1/4 x 22-18 GA QKS Term., Male	*	43	7942-7	6-Way Connector, Male	*
15	5996-18	16-14 GA Ring Term. (#8) Nylon Insulated	*	44	7942-8	8-Way Connector, Male	*
16	7996-1	1/4 x 16-14 GA QKS Term., Male	*	45	8942-2	8-Way Connector, Female	*
17	5996-8	6 GA Ring Lug (5/16)	*	46	8942-3	5-Way Connector, Male	*
18	5996-9	22-18 GA Ring Term., #10	*	47	5940-9	3-Way Connector (M)	*
19	5996-10	16-14 GA Ring Term. (5/16)	*	48	7942-15	6-Way Connector (Female)	*
20	5996-12	12-10 GA Ring Term. (5/16)	*	49	7940-3	Packard Plug (Male)	*
21	5996-13	16-14 GA Ring Term., # 10	*	50	7940-4	Packard Plug (Female)	*
22	5996-15	12-10 GA Ring Term. (1/2)	*	* Service Part Only			
23	5996-16	6 GA Ring Terminal (1/4)	*	NOTE: Not all Electrical Connectors are used with all assemblies.			
24	5996-17	16-14 GA Ring Term. (1/4)	*	NOTE: Refer to ELECTRICAL ASSEMBLY , Page 38 for locations of Wiring Harness and of all Electrical Wiring Service Parts.			
25	5996-20	12-10 GA Ring Term. (1/4)	*				
26	5996-21	12-10 GA Ring Term., #10	*				
27	7942-4	Single Connector, Male	*				
28	8942	2-Way Connector, Male	*				

ELECTRICAL CONNECTORS



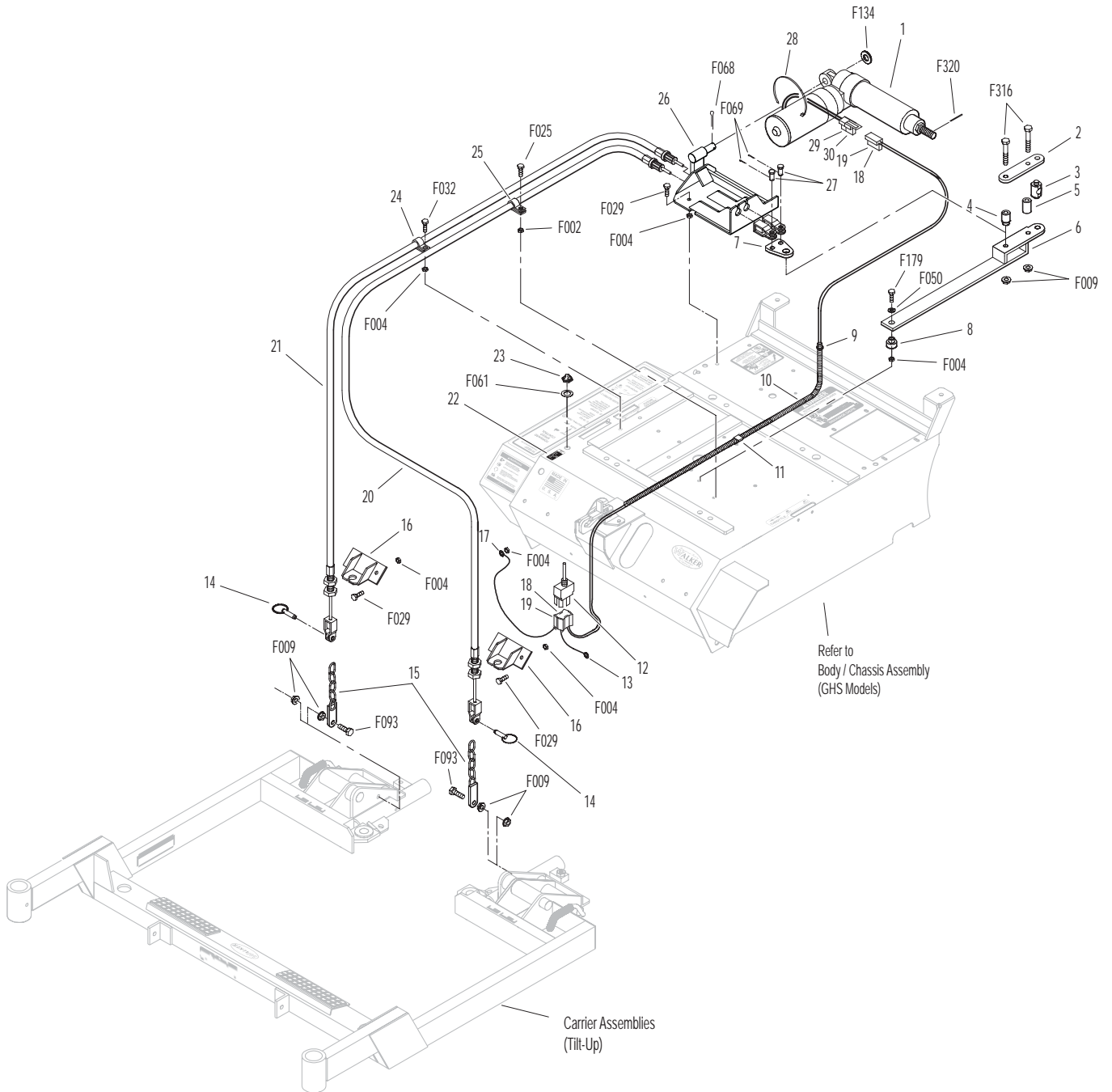
POWER DECK LIFT KIT

ITEM NO.	PART NO.	DESCRIPTION	NO. REQ'D	ITEM NO.	PART NO.	DESCRIPTION	NO. REQ'D
Kit 8655 Power Deck Lift Option / Kit Includes Items # 1-30, fasteners listed and instructions. May be ordered as a dealer-installed option. Contact your Walker dealer.				Fasteners			
1	8628	Linear Actuator (10" OAL) (Includes Items # 29, 30 & F320)	1	F002		10-24 Keps Nut	1
2	8655-8	Clamp Bar	1	F004		1/4-20 Keps Nut	11
3	7503-10	Actuator Drive Bushing	1	F009		5/16-18 Whiz Locknut	6
4	8655-11	Bushing (5/8 x 5/16 x 1-1/16)	1	F025		10-24 x 3/8 PPHMS	1
5	8655-10	Bushing (5/8 x 5/16 x 1-1/16)	1	F029		1/4-20 x 1/2 Hex Bolt	8
6	8655-7	Arm, Deck Lift	1	F032		1/4-20 x 3/4 Hex Bolt	1
7	8655-9	Cable Pull	1	F050		1/4 SAE Washer	1
8	8655-12	Bushing (3/4 x 1/4 x 3/4)	1	F061		1/4 Internal Star Lock Washer	1
9	5977-1	Grommet (1/8 x 3/8)	1	F068		1/8 x 1 Cotter Pin	1
10	8649	Wire Harness	1	F069		3/32 x 1/2 Cotter Pin	2
11	5975-5	Wire Clip, Self Mount	1	F093		5/16-18 x 1 Hex Bolt	2
12	6623	Toggle Switch	1	F134		AN960816L Washer	1
13	5996-21	12-10 GA Ring Terminal (#10)	*	F179		1/4-20 x 1 Hex Bolt	1
14	8655-1	Hitch Pin/Cotterless (5/8)	2	F316		5/16-18 x 1-3/4 Hex Bolt	2
15	8655-6	Lift Chain	2	F320		1/8 x 3/4 Split Spring Pin	*
16	8655-5	Cable Mount	2				
17	5996-20	12-10 GA Ring Terminal (1/4)	*				
18	8942-3	5-Way Connector (M)	*				
19	5940-4	16-14 GA Spring-Loaded Terminal (F)	*				
20	8655-3	Cable, LH (48")	1				
21	8655-2	Cable, RH (38.5")	1				
22	8654	Decal, Deck Lift	1				
23	6623-1	Switch Boot	1				
24	6832	Cable Clamp (9/16 x 1/4)	1				
25	5832	Cable Clamp (1/2)	1				
26	8655-22	Base, Deck Lift	1				
27	8655-4	Clevis Pin (5/16 x 3/4)	2				
28	5975-3	Cable Tie (#50 x 7")	3				
29	7942-1	2-Way Locking Connector (F)	*				
30	5940-5	16-14 GA Spring-Loaded Terminal (M)	*				

* Service Part Only

NOTE: Power Deck Lift is not compatible with Comfort Seat or Suspension Seat.

POWER DECK LIFT KIT



ARMREST KIT / TOUCH-UP PAINT / COMFORT SEAT KIT

ITEM NO.	PART NO.	DESCRIPTION	NO. REQ'D
----------	----------	-------------	-----------

Kit 5885 Armrest Option / Kit

Includes Items # 1-5, fasteners listed and instructions. May be ordered as a dealer-installed option. Contact your Walker dealer.

1	5886-1	Armrest, RH	1
2	5886-6	Cover Plate, RH	1
3	5887	Mounting Bracket	1
4	5886-5	Cover Plate, LH	1
5	5886-2	Armrest, LH	1
	5888	Armrest Hardware Kit (Includes Items # F305, F306, F307 & F308)	*

Touch-Up Paint

6	5867	Touch-Up Paint, Grey (12 oz. Aerosol)	
7	5866	Touch-Up Paint, Yellow (12 oz. Aerosol)	

Kit 6103-5 Comfort Seat Kit (Cordura)

Includes Items # 8, 13, fasteners listed and instructions. May be ordered as a dealer-installed option. Contact your Walker dealer.

8	6103-5	Comfort Seat	1
9	7203	Seat Spring Plate	**
10	7223-1	Compression Spring	**
11	7846	Washer (3/8 x 1-1/4 x 1/8)	**
12	7204	Shoulder Bolt, Seat Mount	**
13	7203-6	Riser Plate, Seat Switch	***
14	7845	Rubber Bumper (1.375 x .63)	**
15	7440-5	Shock Mount (1-1/4 x 3/4)	**

ITEM NO.	PART NO.	DESCRIPTION	NO. REQ'D
----------	----------	-------------	-----------

Kit 6103-17 Armrest Option / Kit

Includes Items # 16, 17 and instructions. Item # 16 is the **Right** side armrest only. Item # 17 is the **Left** side armrest only. Sold only as a complete set and may be ordered together as a factory-installed option or as a kit for dealer installation. Contact your Walker dealer.

16	6103-42	Armrest, RH/Cordura	1
17	6103-41	Armrest, LH/Cordura	1

Fasteners

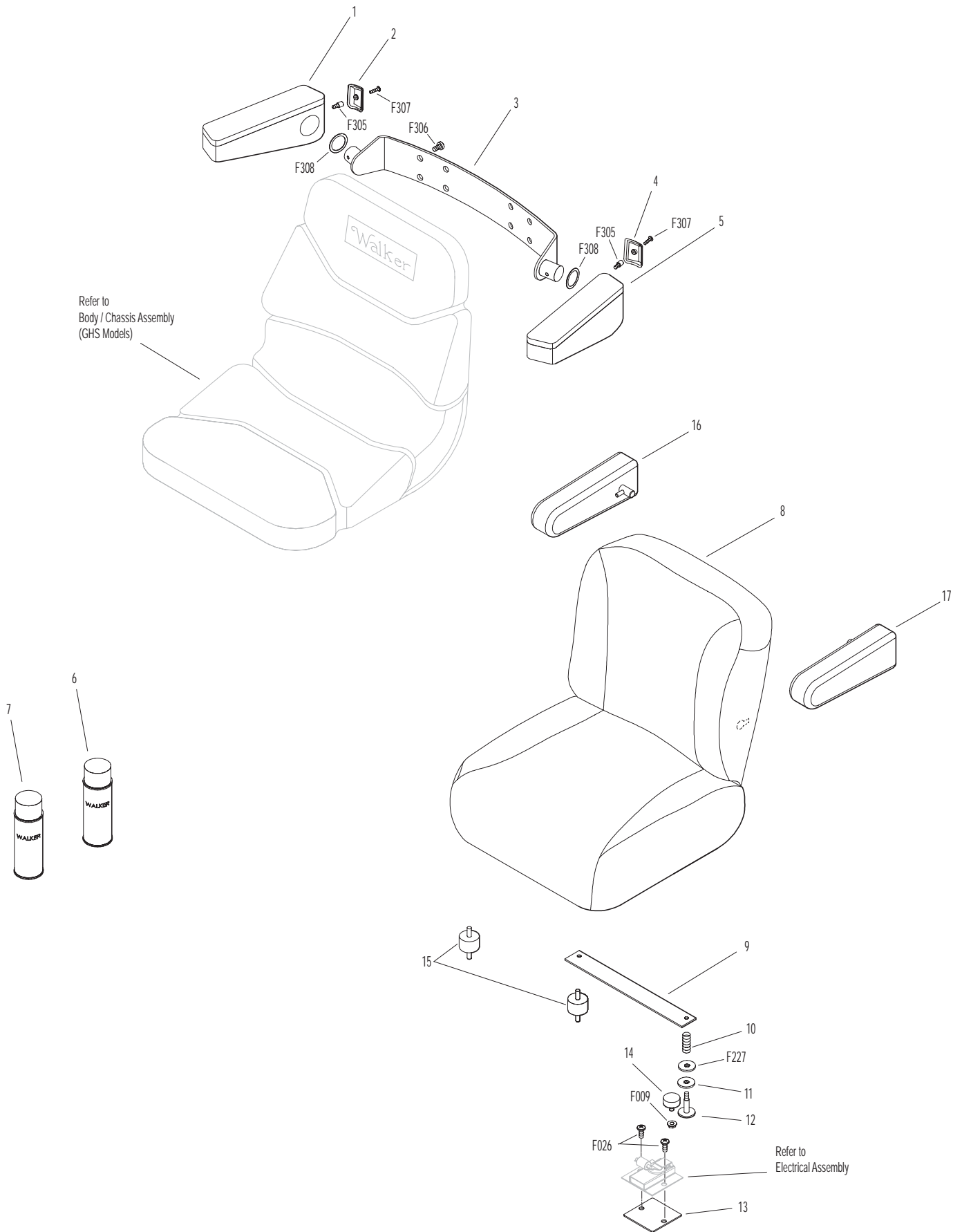
F009	5/16-18 Whiz Locknut	**
F026	10-24 x 1/2 PPHMS	2
F227	3/8 x 1-1/4 x 1/8 Plastic Washer	**
F305	1/4-20 x 3/8 SH Cap Screw	2
F306	3/8-16 x 3/4 Hex Bolt	4
F307	#10 x 5/8 PPHST Screw	2
F308	1-1/4 x 1-5/8 Wave Spring Washer	2

* Service Part Only

** Reuse existing parts from Seat Assembly. Refer to **BODY / CHASSIS ASSEMBLY (GHS MODELS)**, Page 4.

*** Only one Riser Plate is included with kit. One is reused from Seat Assembly. Refer to **BODY / CHASSIS ASSEMBLY (GHS MODELS)**, Page 4.

ARMREST KIT / TOUCH-UP PAINT / COMFORT SEAT KIT



Effective Date 09-15-07

Use only genuine Walker® replacement parts.

LIGHT KIT

ITEM NO.	PART NO.	DESCRIPTION	NO. REQ'D
Kit 7989-11 Light Option / Kit			
Includes Items # 1-10, fasteners listed and instructions. May be ordered as a dealer-installed option. Contact your Walker dealer.			
1	7989-2	Light Assembly (Halogen) (Includes Items # 2 & 4) (Includes Halogen Bulb)	2
	7989-6	Bulb Replacement (Halogen)	*
2	7989-3	Wire Harness Extension	2
3	7834-2	Wire Saddle (2 Wires)	8
4	5996-4	16-14 GA Bullet Cntr. (M)	3
5	5996-5	16-14 GA Bullet Cntr. (F)	2
6	7993-1	Mount Bracket, Lights	1
7	7995-3	Power Lead Wire Assembly (Includes Items # 4, 5 & 8-10)	1
8	5977-1	Grommet (1/8 x 3/8)	2
9	5975-1	Cable Tie (18# x 3-3/4")	1
10	5996	1/4 x 16-14 GA QDF Terminal	1

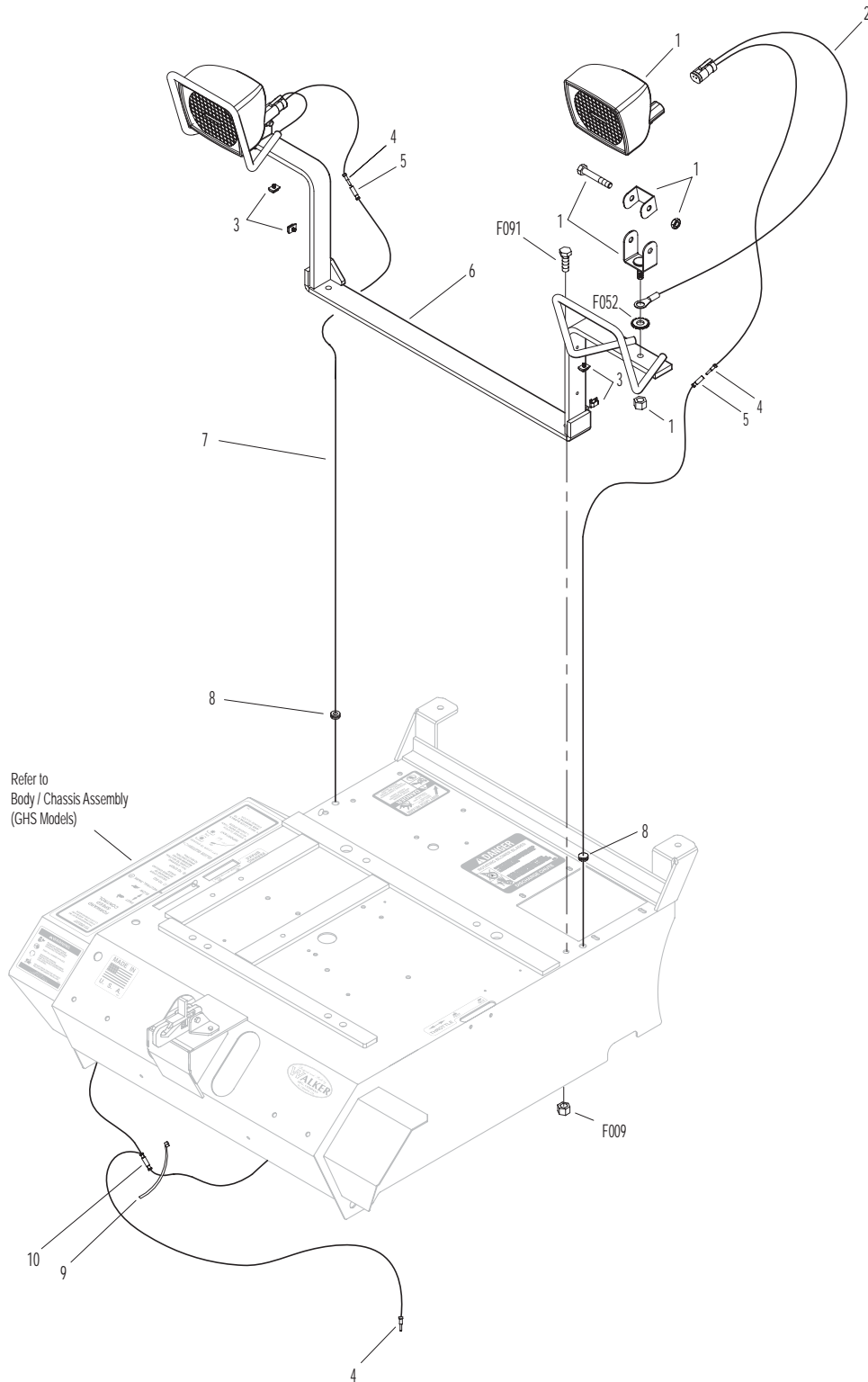
ITEM NO.	PART NO.	DESCRIPTION	NO. REQ'D
Fasteners			
	F009	5/16-18 Whiz Locknut	2
	F052	5/16 Ext. Star Lock Washer	2
	F091	5/16-18 x 5/8 Hex Bolt	2

* Service Part Only

NOTE: Upon installation of Light Kit, Item # 8 replaces P/N 5989-4 (Dome Plug, 3/8) and Item # F091 replaces P/N 5989-3 (Dome Plug, 5/16). Dome Plugs are not shown here. Refer to **BODY / CHASSIS ASSEMBLY (GHS MODELS)**, Page 4.

NOTE: Refer to **ELECTRICAL CONNECTORS**, Page 42 for identification of all Electrical Wiring Service Parts.

LIGHT KIT



POWER DUMP KIT (9.5 BUSHEL GHS MODELS ONLY)

ITEM NO.	PART NO.	DESCRIPTION	NO. REQ'D
----------	----------	-------------	-----------

Kit 8620-1 Power Dump Option / Kit (9.5 Models Only)

Includes Items # 1-33, fasteners listed and instructions. May be ordered as a factory-installed option or as a kit for dealer installation. Contact your Walker dealer.

1	5522-20	Hinge Backup Plate/RH/PD	1
2	7620-3	Pivot Bushing (1/2 x 9/16)	2
3	7612-4	Door Actuator Arm, RH	1
4	7612-3	Door Actuator Arm, LH	1
5	5522-10	Hinge Backup Plate/LH/PD	1
6	7610-5	Extension Spring (1/4 x 2-7/8)	1
7	7523-2	Clevis Pin W/Hole (1/4 x 5/8)	2
8	7623-2	Power Dump Cable	2
9	5975-7	Cable Tie (50# x 11")	1
10	7721	Linear Actuator, 9.5	1
11	5552	Ball Joint (1/4-28)	2
12	8620-5	Guard, Power Dump Motor / 9.5	1
13	7628-1	Channel Angle, RH	1
14	7620-9	Roller Wheel	2
15	7629	Channel Angle, LH	1
16	5830	Grease Fitting	3
17	7636-1	Actuator Mount, 9.5	1
18	7624-1	Roller Bearing Bolt	1
19	5842-1	Washer (1.0 ID x 1.350 OD)	1
20	7627	Front Actuator Mount	1
21	7624	Sealed Needle Bearing	1
22	7630-3	Ram Pivot and Spacer	1
23	7625	Fork	1
24	5975-1	Cable Tie (18# x 3-3/4")	1
25	5975-3	Cable Tie (50# x 7")	5
26	7622	Wire Harness	1
27	6623	Toggle Switch	1
28	6623-1	Switch Boot	1
29	7633	Decal, Power Dump	1
30	7104-5	Rear Body Panel, LH	1
31	8105-4	Rear Body Panel, RH	1
32	7620-6	Cable Guide	2
33	7613-1	Door Actuator, 7.0 / 9.5	2

ITEM NO.	PART NO.	DESCRIPTION	NO. REQ'D
----------	----------	-------------	-----------

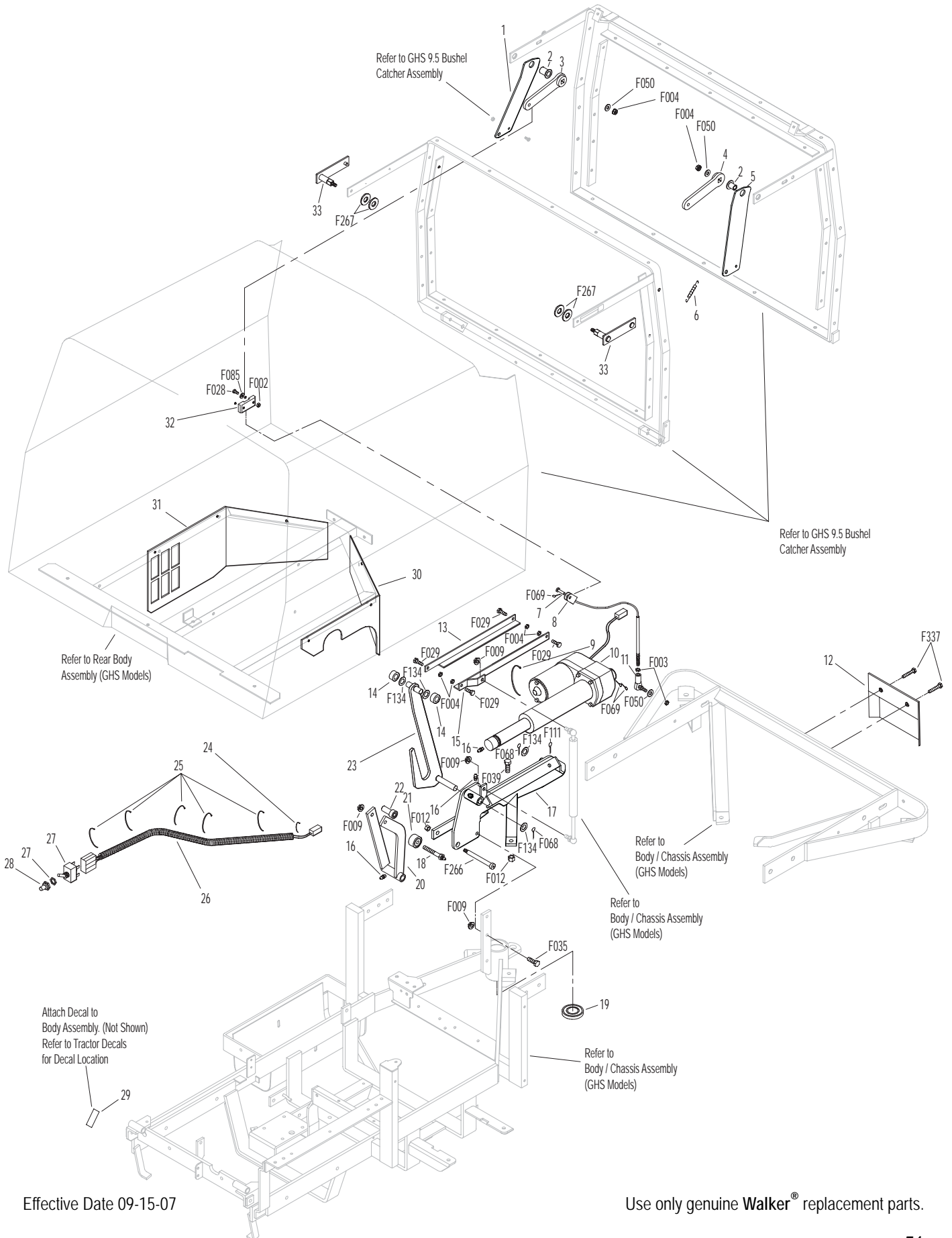
Fasteners

F002	10-24 Keps Nut	4
F003	1/4-28 Hex Nut	4
F004	1/4-20 Keps Nut	6
F009	5/16-18 Whiz Locknut	4
F012	3/8-16 Keps Nut	2
F028	10-24 x 3/4 PPHMS	4
F029	1/4-20 x 1/2 Hex Bolt	4
F035	5/16-18 x 1-1/4 Hex Bolt	1
F039	3/8-16 x 1-1/4 Hex Bolt	2
F050	1/4 SAE Washer	4
F068	1/8 x 1 Cotter Pin	2
F069	3/32 x 1/2 Cotter Pin	4
F085	3/16 Rivet Backup Washer	4
F111	1/8 x 3/4 Cotter Pin	1
F134	AN960816L Washer	4
F266	1/2 x 2-3/4 Shoulder Bolt	1
F267	1/2 x 1 x 1/16 Washer	4
F337	1/4-20 x 5/8 Self Tap Bolt	2

NOTE: Two F009 Fasteners are reused from the Rear Gas Spring Assembly. Refer to **REAR BODY ASSEMBLY (GHS MODELS)**, Page 6.

NOTE: Refer to **ELECTRICAL CONNECTORS**, Page 42 for identification of all Electrical Wiring Service Parts.

POWER DUMP KIT (9.5 BUSHEL GHS MODELS ONLY)



Effective Date 09-15-07

POWER DUMP KIT (7.0 BUSHEL GHS MODELS ONLY)

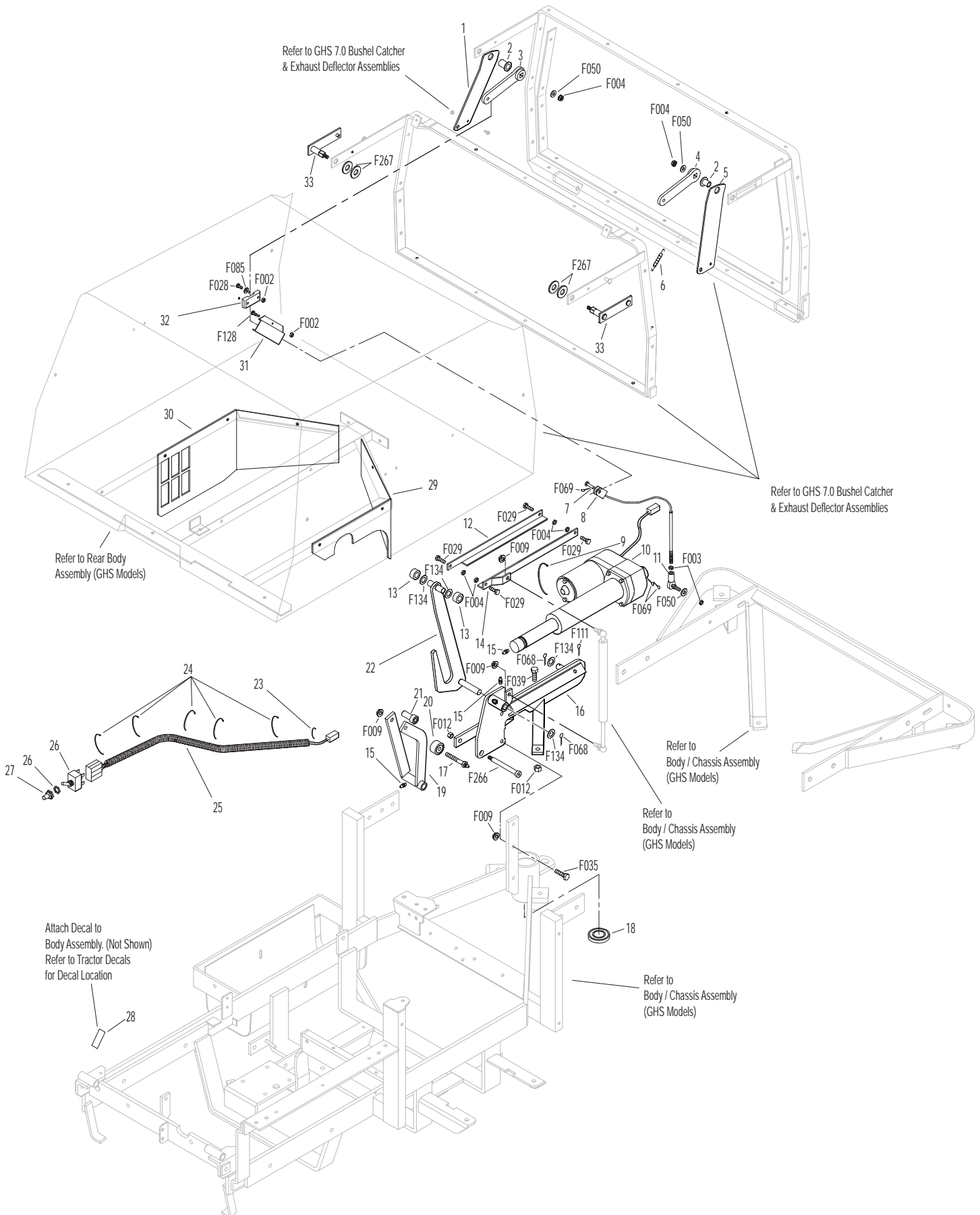
ITEM NO.	PART NO.	DESCRIPTION	NO. REQ'D
Kit 7620-13 Power Dump Option / Kit (7.0 Models Only)			
Includes Items # 1-33, fasteners listed and instructions. May be ordered as a factory-installed option or as a kit for dealer installation. Contact your Walker dealer. Not to be used with optional Dump Bag Kits.			
1	5522-20	Hinge Backup Plate/RH/PD	1
2	7620-3	Pivot Bushing (1/2 x 9/16)	2
3	7612-4	Door Actuator Arm, RH	1
4	7612-3	Door Actuator Arm, LH	1
5	5522-10	Hinge Backup Plate/LH/PD	1
6	7610-5	Extension Spring (1/4 x 2-7/8)	1
7	7523-2	Clevis Pin W/Hole (1/4 x 5/8)	2
8	7623	Power Dump Cable	2
9	5975-7	Cable Tie (50# x 11")	1
10	7621	Linear Actuator, 7.0	1
11	5552	Ball Joint (1/4-28)	2
12	7628-1	Channel Angle, RH	1
13	7620-9	Roller Wheel	2
14	7629	Channel Angle, LH	1
15	5830	Grease Fitting	3
16	7626-0	Actuator Mount	1
17	7624-1	Roller Bearing Bolt	1
18	5842-1	Washer (1.0 ID x 1.350 OD)	1
19	7627	Front Actuator Mount	1
20	7624	Sealed Needle Bearing	1
21	7630-3	Ram Pivot and Spacer	1
22	7625	Fork	1
23	5975-1	Cable Tie (18# x 3-3/4")	1
24	5975-3	Cable Tie (50# x 7")	5
25	7622	Wire Harness	1
26	6623	Toggle Switch	1
27	6623-1	Switch Boot	1
28	7633	Decal, Power Dump	1
29	7104-5	Rear Body Panel, LH	1
30	8105-4	Rear Body Panel, RH	1
31	7620-12	Cable Rod Guide, 7.0	2
32	7620-6	Cable Guide	2
33	7613-1	Door Actuator, 7.0 / 9.5	2

ITEM NO.	PART NO.	DESCRIPTION	NO. REQ'D
Fasteners			
	F002	10-24 Keps Nut	6
	F003	1/4-28 Hex Nut	4
	F004	1/4-20 Keps Nut	6
	F009	5/16-18 Whiz Locknut	4
	F012	3/8-16 Keps Nut	2
	F028	10-24 x 3/4 PPHMS	4
	F029	1/4-20 x 1/2 Hex Bolt	4
	F035	5/16-18 x 1-1/4 Hex Bolt	1
	F039	3/8-16 x 1-1/4 Hex Bolt	2
	F050	1/4 SAE Washer	4
	F068	1/8 x 1 Cotter Pin	2
	F069	3/32 x 1/2 Cotter Pin	4
	F085	3/16 Rivet Backup Washer	4
	F111	1/8 x 3/4 Cotter Pin	1
	F128	10-24 x 3/8 PTHMS	2
	F134	AN960816L Washer	4
	F266	1/2 x 2-3/4 Shoulder Bolt	1
	F267	1/2 x 1 x 1/16 Washer	4

NOTE: Two F009 Fasteners are reused from the Rear Gas Spring Assembly. Refer to **REAR BODY ASSEMBLY (GHS MODELS)**, Page 6.

NOTE: Refer to **ELECTRICAL CONNECTORS**, Page 42 for identification of all Electrical Wiring Service Parts.

POWER DUMP KIT (7.0 BUSHEL GHS MODELS ONLY)



Effective Date 09-15-07

Use only genuine Walker® replacement parts.

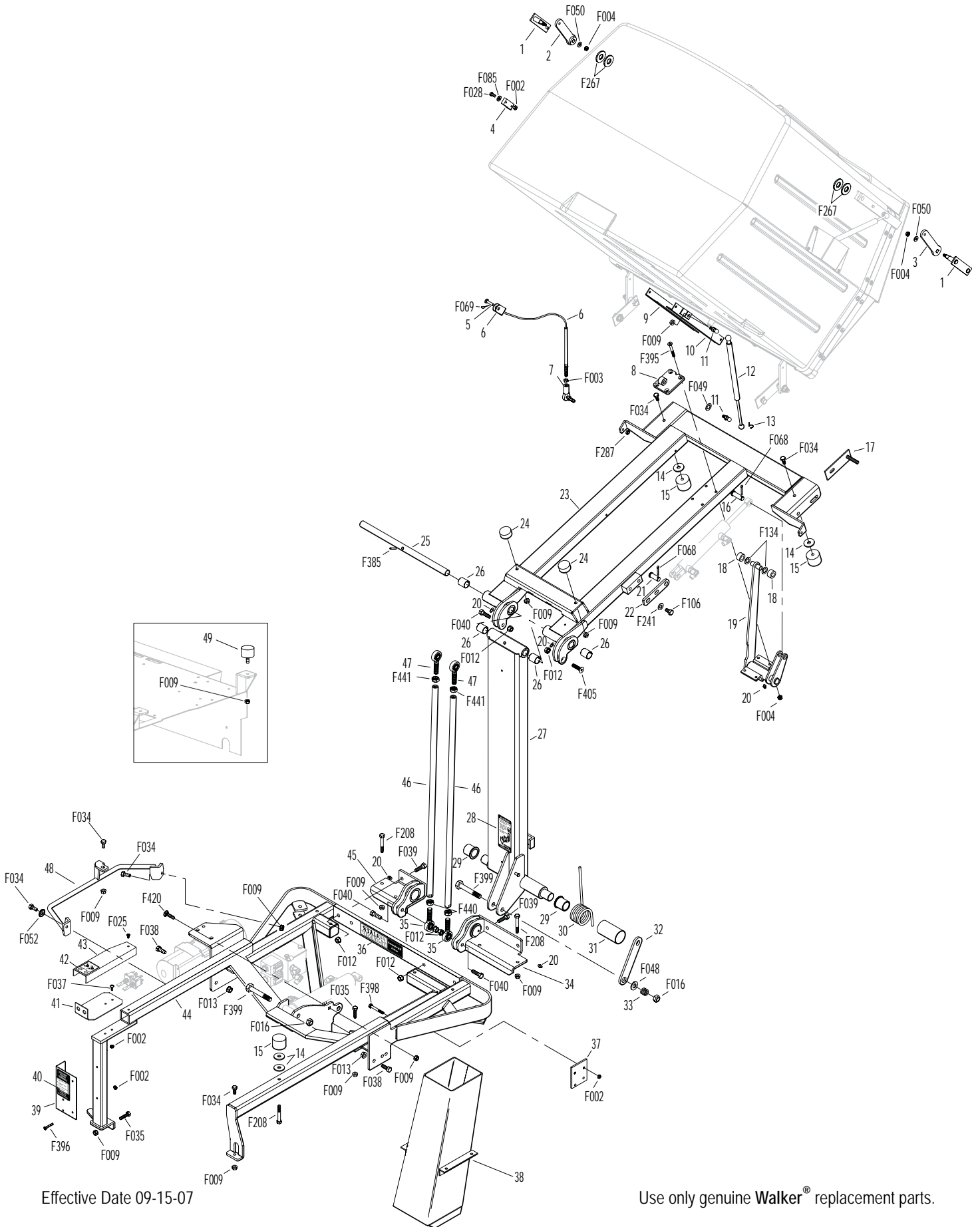
HI-DUMP KIT

ITEM NO.	PART NO.	DESCRIPTION	NO. REQ'D	ITEM NO.	PART NO.	DESCRIPTION	NO. REQ'D
Hi-Dump Kit				44	8400-1	Bumper / Hi-Dump Mount (Includes Item # 36)	1
1	7613-1	Door Actuator, 7.0 / 9.5	2	45	8400-2	Rear Pivot, RH (Includes Items # 20 & 29)	1
2	7612-4	Door Actuator Arm, RH	1	46	8402-8	Control Lift Rod	2
3	7612-3	Door Actuator Arm, LH	1	47	5214-11	Ball Joint (1/2-20LH) Hi Strength	2
4	7620-6	Cable Guide	2	48	8403-18	Pump Guard	1
5	7523-2	Clevis Pin W/Hole (1/4 x 5/8)	2	49	7847	Rubber Bumper (1.5 OD x 1.0)	1
6	7623-2	Power Dump Cable, 9.5	2	Fasteners			
7	5552	Ball Joint (1/4-28)	2				
8	8402-3	Backup Plate	1		F002	10-24 Keps Nut	8
9	7628-1	Channel Angle, RH	1		F003	1/4-28 Hex Nut	2
10	8404-4	Channel Angle, LH	1		F004	1/4-20 Keps Nut	6
11	7146	13mm Ball Stud	2		F009	5/16-18 Whiz Locknut	14
12	7145	Gas Spring Assembly (Includes Items # 11 & 13)	1		F012	3/8-16 Keps Nut	8
13	7147	Spring Clip	2		F013	3/8-16 Whiz Locknut	4
14	5841	Retainer Washer (3/8 x 1-1/4)	4		F016	1/2-13 Self-Locking Nut	2
15	8845	Rubber Bumper (30mm OD x 40mm) 5/16-18 Female	3		F025	10-24 x 3/8 PPHMS	1
16	8404-6	Clevis Pin (1/2 x 1-1/2)	1		F028	10-24 x 3/4 PPHMS	4
17	8402-6	Catcher Pivot Plate	2		F034	5/16-18 x 3/4 Hex Bolt	6
18	7620-9	Roller Wheel	2		F035	5/16-18 x 1-1/4 Hex Bolt	2
19	8402-2	Catcher Pivot Arm (Includes Item # 20)	1		F037	10-24 x 5/8 PTH Screw	2
20	5830	Grease Fitting	5		F038	3/8-16 x 1 Hex Bolt	3
21	8404-5	Clevis Pin (1/2 x 1-1/4)	1		F039	3/8-16 x 1-1/4 Hex Bolt	4
22	8402-4	Upper Cylinder Mount Arm	1		F040	3/8-16 x 1-1/2 Hex Bolt	3
23	8402-1	Catcher Frame (Includes Item # 20 & 26)	1		F048	1/2 SAE Washer	1
24	7845	Rubber Bumper (1.375 x .63)	2		F049	5/16 SAE Washer	2
25	8401-4	Upper Pivot Shaft	1		F050	1/4 SAE Washer	2
26	8201-3	Fiberglide Bearing	4		F052	5/16 External Star Lock Washer	1
27	8401-5	Pivot Arm (Includes Item # 28)	1		F068	1/8 x 1 Cotter Pin	2
28	8401-9	Decal, Safety Lockout Arm	1		F069	3/32 x 1/2 Cotter Pin	2
29	5683	Pivot Bearing	2		F085	3/16 Rivet Backup Washer	4
30	8401-1	Torsion Spring (1-1/2)	1		F106	3/8-16 x 5/8 Hex Bolt	2
31	8401-6	Spring Bushing	1		F134	AN960816L Washer	2
32	8401-3	Safety Lockout Arm	1		F208	5/16-18 x 2-1/4 Hex Bolt	5
33	8401-2	Safety Lockout Spring	1		F241	.375 x .875 x .10 Washer	2
34	8400-3	Rear Pivot / LH (Includes Items # 20 & 29)	1		F267	1/2 x 1 x 1/16 Washer	4
35	5214-10	Ball Joint (1/2-20) Hi Strength	2		F287	1/4-28 Keps Nut	2
36	8400-8	Decal, Hi-Dump	1		F385	1/4 x 1-1/4 Roll Pin	1
37	7047-5	Mount Plate	1		F395	1/4-20 x 2-1/4 FHA Screw SS	4
38	8430-1	Body Chute, Hi-Dump (10.5")	1		F396	10-24 x 1-1/4 PPH Bolt	2
39	8400-10	Auxiliary Power Terminal Plate (Includes Item # 40)	1		F398	1/4-20 x 2 Hex Bolt	2
40	8400-7	Decal, Electrical Jumper Warning	1		F399	1/2-13 x 3-1/4 Hex Bolt	2
41	8400-15	Switch Mount	1		F405	3/8-16 x 1-1/2 FHA Screw SS	1
42	8400-9	Decal, Hi-Dump Operation	1		F420	5/16-18 x 1-1/4 Carriage Bolt	2
43	8400-14	Switch Cover (Includes Item # 42)	1		F440	1/2-20 Jam Nut RH	2
					F441	1/2-20 Jam Nut/Left Hand	2

Use only genuine Walker® replacement parts.

Effective Date 09-15-07

HI-DUMP KIT



Effective Date 09-15-07

Use only genuine Walker® replacement parts.

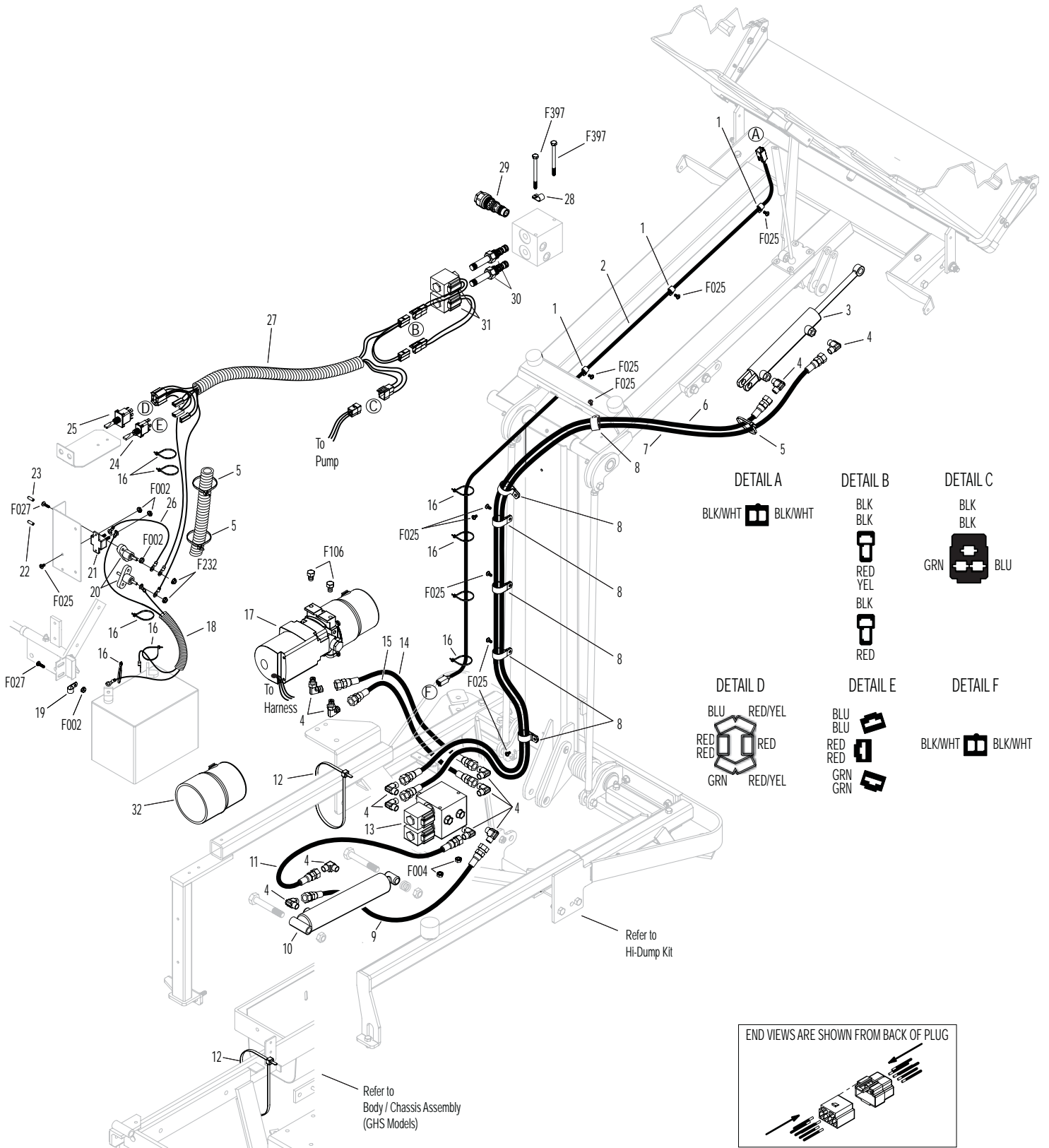
HI-DUMP KIT - HYDRAULIC

ITEM NO.	PART NO.	DESCRIPTION	NO. REQ'D	ITEM NO.	PART NO.	DESCRIPTION	NO. REQ'D
Hi-Dump Kit				Component Replacement Part			
1	5833	Cable Clamp (1/4)	3	29	8403-11	Counterbalance Valve	1
2	8440-1	Catcher Adapter Harness	1	30	8403-8	Directional Valve	2
3	8404	Dump Cylinder	1	31	8403-9	Coil W/Connectors	2
4	8403-7	90° Fitting	12	32	8403-1	Reservoir / Power Unit	1
5	5975-3	Cable Tie (50# x 7")	3	Fasteners			
6	8403-5	Hydraulic Hose, Catcher Box Dump (67.5)	1	F002	10-24 Keps Nut		10
7	8403-6	Hydraulic Hose, Catcher Box Dump (73.5)	1	F004	1/4-20 Keps Nut		2
8	5835	Cable Clamp (3/4)	6	F025	10-24 x 3/8 PPHMS		11
9	8403-3	Hydraulic Hose, Lift / Rear (11.5)	1	F027	10-24 x 5/8 PPHMS		5
10	8404-1	Lift Cylinder	1	F106	3/8-16 x 5/8 Hex Bolt		2
11	8403-2	Hydraulic Hose, Lift / Front (16)	1	F232	10-32 Keps Nut		2
12	5975-7	Cable Tie (50# x 11")	2	F397	1/4-20 x 3-3/8 Hex Bolt		2
13	8404-2	Hydraulic Valve Box	1	* Service Part Only			
14	8403-4	Hydraulic Hose, Valve to Pump (17-1/2) A / Up	1				
15	8403-20	Hydraulic Hose, Valve to Pump (17-1/2) B / Down	1				
16	5975-1	Cable Tie (18# x 3-3/4")	9				
17	8403-19	Hydraulic Power Unit	1				
	8403-12	Motor Replacement	*				
18	8440-2	Switch Harness	1				
19	5832	Cable Clamp (1/2)	1				
20	8401-7	Junction Block (10-32)	2				
21	7941	Circuit Breaker 40 Amp (Auto Reset/Sealed)	1				
22	8404-9	Plastic Cover, Black	1				
23	8404-8	Plastic Cover, Red	1				
24	6623-3	Toggle Switch / SP / DT	1				
25	6623-2	Toggle Switch / DP / DT	1				
26	8440-3	Jumper Wire	1				
27	8440-5	Wire Harness / Hi-Dump	1				
28	7833	Cable Clamp (7/8 x 1/4)	1				

Use only genuine Walker® replacement parts.

Effective Date 09-15-07

HI-DUMP KIT - HYDRAULIC




DETAIL A

BLK/WHT  BLK/WHT

DETAIL B

BLK
BLK
RED
YEL
BLK
RED

DETAIL C

BLK
BLK
GRN  BLU

DETAIL D

BLU
RED
RED
GRN
RED/YEL

DETAIL E

BLU
BLU
RED
RED
GRN
GRN

DETAIL F

BLK/WHT  BLK/WHT

NO CATCH DEFLECTOR KIT / TAIL WEIGHT KIT

ITEM NO.	PART NO.	DESCRIPTION	NO. REQ'D
----------	----------	-------------	-----------

Kit 8500 (9.5 Bushel) No Catch Deflector Option / Kit
Includes Items # 1-5, fasteners and instructions.

Kit 7500 (7.0 Bushel) No Catch Deflector Option / Kit
Includes Items # 1-5, fasteners and instructions.

Both kits may be ordered as a dealer-installed option. Contact your Walker dealer.

1	8500	No-Catch Deflector Kit (9.5)	1
	7500	No-Catch Deflector Kit (7.0)	1
2	8500-5	Side Bracket	2
3	8787-2	Knob (1/4-20) Threaded Insert	1
4	8500-6	Spacer Lug	1
5	8500-8	Decal, No Catch Deflector	1

Kit 7647 Tail Weight Option / Kit
Includes Items # 6, F012, F039 and instructions. May be ordered as a dealer-installed option. Contact your Walker dealer.

6	7647-9	Tail Weight Strap	2
7	7647-5	Tail Weight Plate, 10-lb	*

ITEM NO.	PART NO.	DESCRIPTION	NO. REQ'D
----------	----------	-------------	-----------

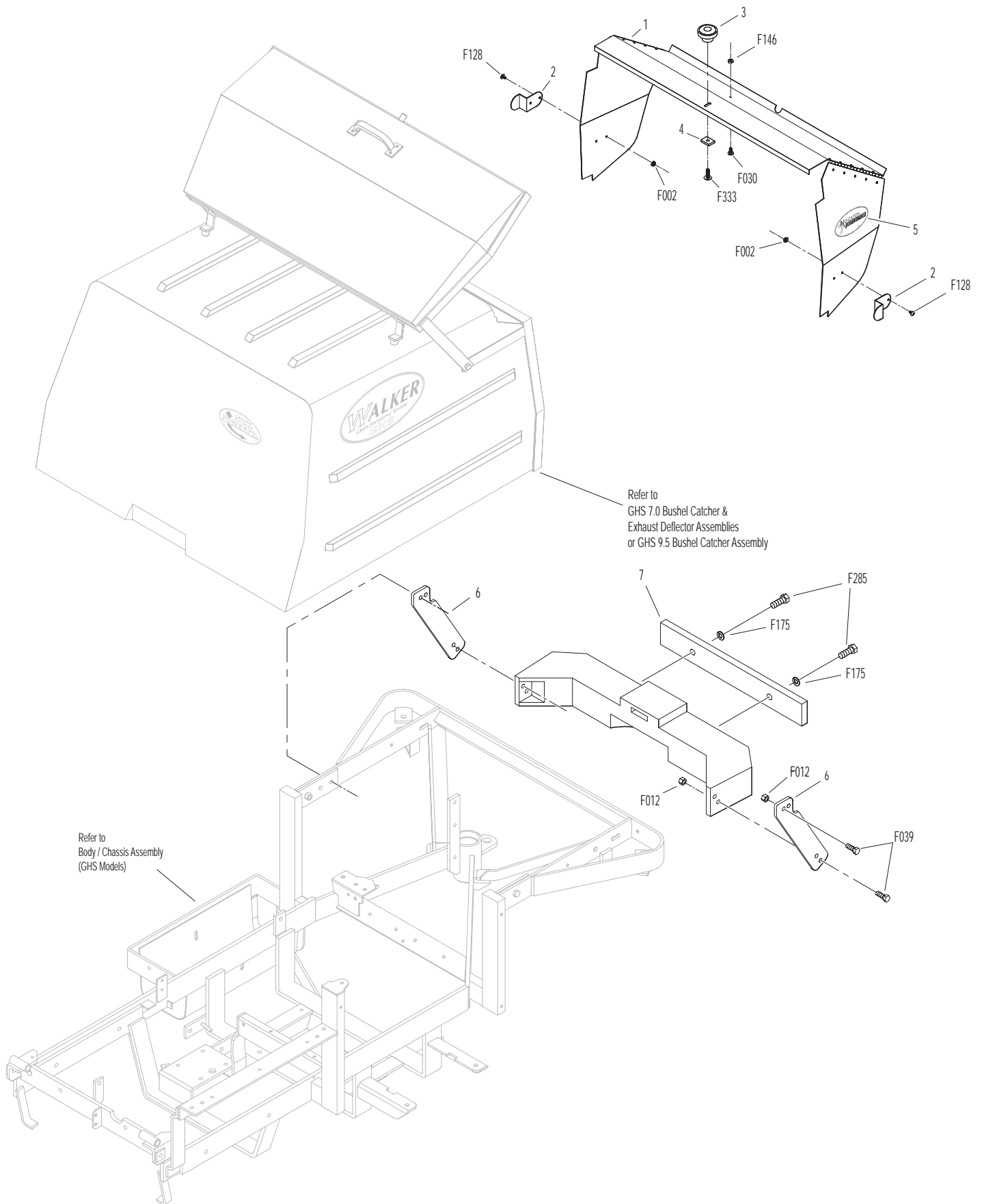
Fasteners

F002		10-24 Keps Nut	4
F012		3/8-16 Keps Nut	4
F030		1/4-20 x 1/2 PPH Bolt	1
F039		3/8-16 x 1-1/4 Hex Bolt	4
F128		10-24 x 3/8 PTHMS	4
F146		1/4-20 Jam Nut	1
F175		1/2 Split Lock Washer	2**
F285		1/2-13 x 1-1/2 Hex Bolt	2**
F333		1/4-20 x 3/4 PTHMS	1

* Optional

** Use with optional 10-lb plate.

NO CATCH DEFLECTOR KIT / TAIL WEIGHT KIT



Effective Date 09-15-07

Use only genuine Walker® replacement parts.

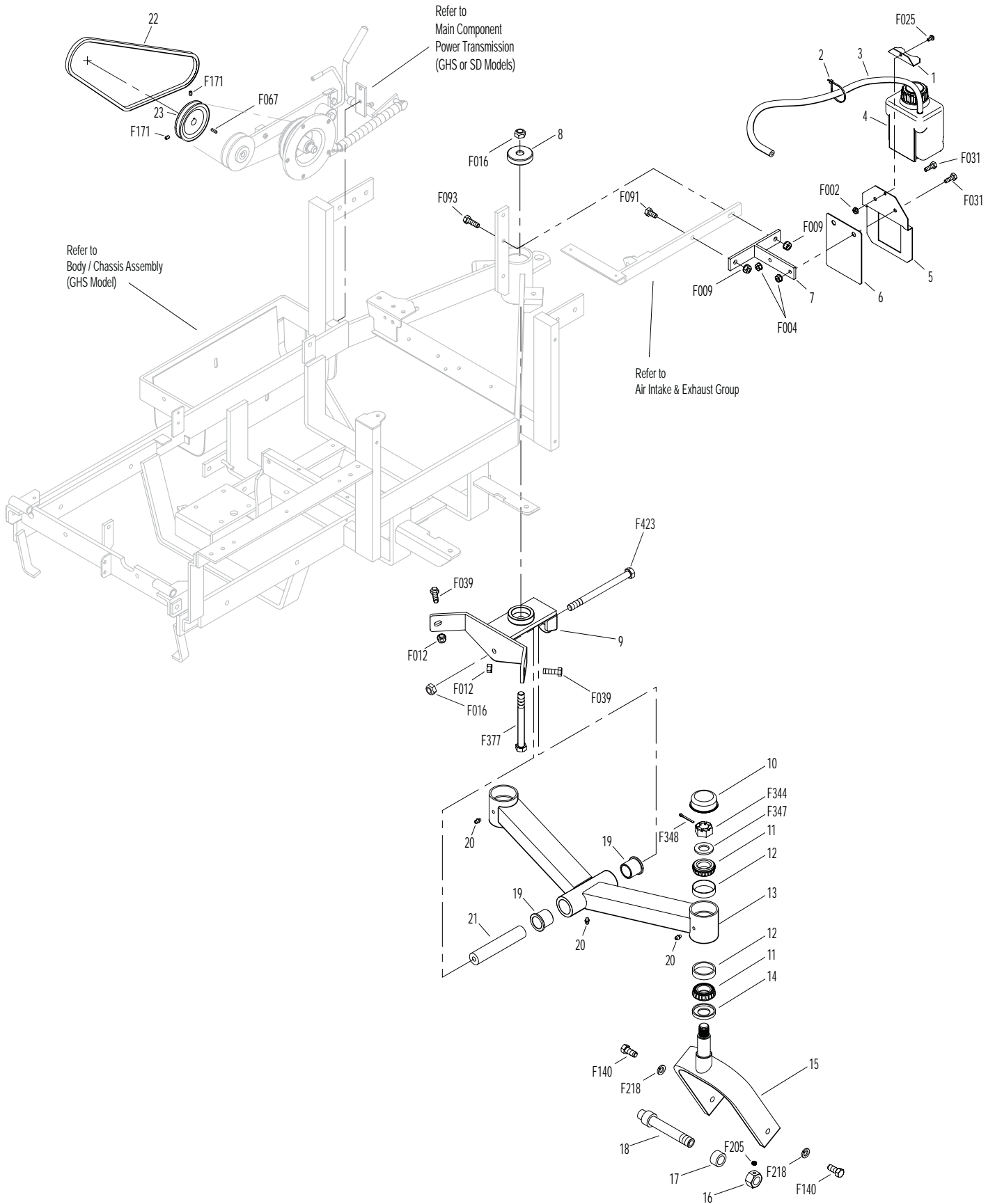
SPREAD TAIL WHEEL AXLE KIT / SPEED UP KIT

ITEM NO.	PART NO.	DESCRIPTION	NO. REQ'D	ITEM NO.	PART NO.	DESCRIPTION	NO. REQ'D
Kit 7420-8 Coolant Tank Relocation Kit Includes Items # 1-7, fasteners & instructions. May be ordered as a dealer-installed option. Contact your Walker dealer.				Fasteners			
1	7427-33	Recovery Tank Keeper	1	F002		10-24 Keps Nut	1
2	5975-3	Cable Tie (50# x 7")	1	F004		1/4-20 Keps Nut	2
3	7427-8	Overflow Hose, 36"	1	F009		5/16-18 Whiz Locknut	2
4	7427-3	Coolant Recovery Tank	1	F012		3/8-16 Keps Nut	2
5	7427-32	Recovery Tank Mount	1	F016		1/2-13 Self-Locking Nut	2
6	7420-24	Heat Shield	1	F025		10-24 x 3/8 PPHMS	1
7	7420-27	Mount Bracket	1	F031		1/4-20 x 5/8 Hex Bolt	2
Kit 7420-3 Spread Axle Kit/Less Wheels Includes Items # 8-21, fasteners & instructions. May be ordered as a dealer-installed option. Contact your Walker dealer.				F039		3/8-16 x 1-1/4 Hex Bolt	2
8	7420-6	Washer (2-1/2)	1	F067		3/16 x 3/16 x 1 Key	1
9	7420-11	Mount, Spread Axle	1	F091		5/16-18 x 5/8 Hex Bolt	1
10	8769-8	Dust Cap, Deck Caster	2	F093		5/16-18 x 1 Hex Bolt	1
11	8769-6	Bearing Cone (1" ID)	4	F140		7/16-14 x 1 Hex Bolt	4
12	8769-5	Bearing Cup	4	F171		5/16-18 x 3/8 Set Screw	*
13	7420-4	Fork Mount Tube (Includes Items # 12 & 20)	1	F205		5/16-18 x 1/4 Set Screw	2
14	8769-7	Seal	2	F218		7/16 Split Lock Washer	4
15	7420-2	Tail Fork, Spread Axle	2	F344		3/4-16 Slotted Hex Nut	2
16	8039	Nut, Tail Wheel Axle	2	F347		3/4 SAE Washer	2
17	8038-1	Spacer, Tail Wheel Axle	2	F348		1/8 x 1-1/2 Cotter Pin	2
18	7038	Tail Wheel Axle (3/4 x 5-9/16)	2	F377		1/2-13 x 5 Hex Bolt	1
19	5683	Pivot Bearing	2	F423		1/2-13 x 6-1/2 Hex Bolt	1
20	5830	Grease Fitting	3	* Service Part Only			
21	7420-9	Pivot Shaft	1	NOTE: If equipped, existing dual tail wheels and tires can be reused with this kit. Order Kit # 7420-20 for two wheels and tires if tractor is equipped with a single wide tail wheel.			
Kit 7247 Speed-Up Kit Includes Items # 22-23 and instructions. May be ordered as a factory-installed option or as a kit for dealer installation. Contact your Walker dealer.				NOTE: Coolant Tank Relocation Kit 7420-8 is required with the Spread Tail Wheel Axle Kit.			
22	6238	Drive Belt (3VX345)	1	NOTE: Speed Up Kit used on Serial Number 02-60025 and after.			
23	7240-1	Jackshaft Drive Pulley (3-1/2/3V) (Includes Items # F067 & F171)	1				

Use only genuine Walker® replacement parts.

Effective Date 09-15-07

SPREAD TAIL WHEEL AXLE KIT / SPEED UP KIT



Effective Date 09-15-07

Use only genuine Walker® replacement parts.

TAIL WHEEL LOCK KIT / BLOWER LOCKOUT KIT / CASE-HARDENED BLOWER

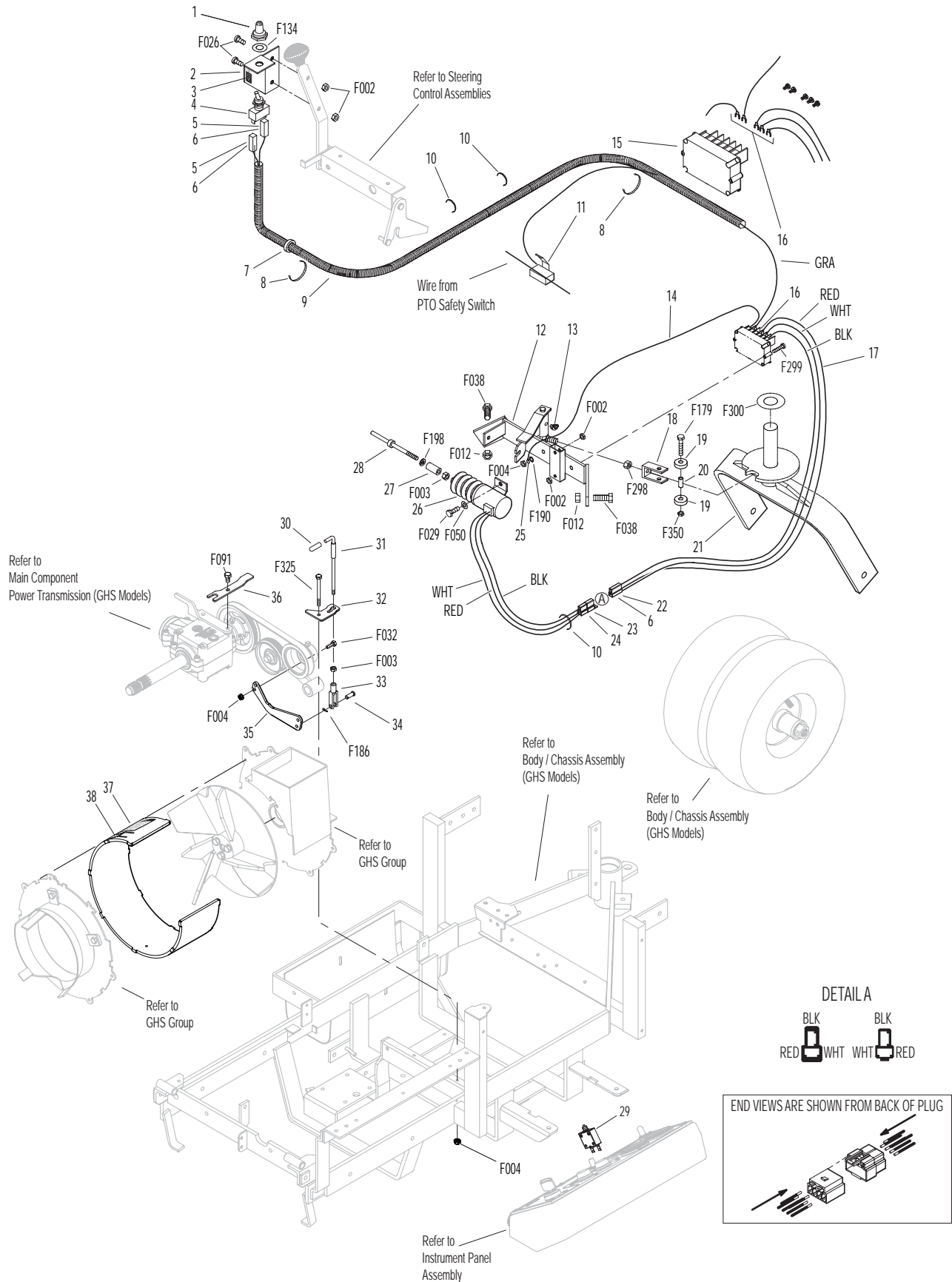
ITEM NO.	PART NO.	DESCRIPTION	NO. REQ'D	ITEM NO.	PART NO.	DESCRIPTION	NO. REQ'D
Kit 8540 Tail Wheel Lock Option / Kit Includes Items # 1-29, fasteners listed & instructions. May be ordered as a dealer-installed option. Contact your Walker dealer.				Kit 7541 Blower Lockout Kit Includes Items # 30-36, fasteners and instructions. May be ordered as a kit for dealer installation. Contact your Walker dealer.			
1	5995-2	Switch Boot	1	30	7854	Plastic Tip, Red	*
2	8547	Switch Mount	1	31	6541-2	Blower Lockout Rod (Includes Item # 30)	1
3	8555	Decal, Tail Lock Switch	1	32	6541-1	Blower Lockout Latch	1
4	5995	Toggle Switch (Off-On)	1	33	5280	Clevis (1/4)	1
5	7942-4	Single Connector, Male	2*	34	5281-5	Clevis Pin (1/4 x 0.80)	1
6	5940-4	16-14 GA Spg. Loaded Term., Female	5*	35	6541-3	Blower Lockout Pivot Arm	1
7	5977-2	Grommet, Cut (1/8 x 3/8)	1	36	6541-4	Blower Lockout Belt Guide	1
8	5975-3	Cable Tie (50# x 7")	4	Kit Case Hardened Scroll Option			
9	8550	Wire Harness	1	37	7542-6	Blower Scroll (10.5) (Includes Item # 38)	*
10	5975-1	Cable Tie (18# x 3-3/4")	3	38	6542-50	Decal, "H" (5/8)	1
11	8553	Splice Tap (18-14 GA)	1	Fasteners			
12	8543	Solenoid Mount	1	F002	10-24 Keps Nut		4
13	5830-3	Grease Fitting (45 Degree)	1	F003	1/4-28 Hex Nut		2
14	8551	Ground Wire	1	F004	1/4-20 Keps Nut		5
15	8546	Solenoid, Control Module	1	F012	3/8-16 Keps Nut		2
16	5996	1/4 x 16-14 GA QDF Terminal	5*	F026	10-24 x 1/2 PPHMS		2
17	8552	Connector Plug & Wire Assy	1	F029	1/4-20 x 1/2 Hex Bolt		2
18	8544	Clevis, Wheel Lockout (9/16)	1	F032	1/4-20 x 3/4 Hex Bolt		1
19	5551-1	Pivot Bearing	2*	F038	3/8-16 x 1 Hex Bolt		2
	8545-1	Pivot Bearing Assembly (Includes Items # 19, 20, F179 & F350)	*	F050	1/4 SAE Washer		2
20	8544-1	Bearing Spacer (1/4 ID x 9/16)	1*	F091	5/16-18 x 5/8 Hex Bolt		1
21	8542	Tail Wheel Fork, Locking	1	F134	AN960816L Washer		1
22	8944	3-Way Locking Connector, Male	1*	F179	1/4-20 x 1 Hex Bolt		2
23	8944-1	3-Way Locking Connector, Female	1*	F186	5/64 x 1/2 Cotter Pin		1
24	5940-5	16-14 GA Spg. Loaded Term., Male	1*	F190	#10 Internal Star Lock Washer		1
25	5996-13	16-14 GA Ring Term., #10	1*	F198	.250 x .625 x .040 Washer, SS		1
26	7929	Actuating Solenoid	1	F298	3/8-24 Jam Nut		1
27	8549	Sleeve, Delrin	1	F299	10-24 x 1 PPHMS		2
28	8541	Plunger Rod	1	F300	1.015 x 1.500 x .031 Washer		1
	8554	Solenoid & Mount Assembly (Includes Items # 12-15, 17-20, 26-28, F002, F003, F004, F029, F050, F179, F190, F198, F298, F299 & F350)	*	F325	1/4-20 x 3 Hex Bolt		1
29	7941-4	Circuit Breaker (25 Amp)	**	F350	1/4-20 LP Nylock		1

* Service Part Only

** Replaces P/N 7941-2 (Circuit Breaker, 10 Amp). Refer to **INSTRUMENT PANEL ASSEMBLY**, Page 36.

NOTE: Refer to **ELECTRICAL CONNECTORS**, Page 42 for identification of all Electrical Wiring Service Parts.

TAIL WHEEL LOCK KIT / BLOWER LOCKOUT KIT / CASE-HARDENED BLOWER



WIDE TAIL WHEEL / ALL-TERRAIN TIRE KIT & TIRE CHAIN SET

ITEM NO.	PART NO.	DESCRIPTION	NO. REQ'D
----------	----------	-------------	-----------

Kit 8049 Wide Tail Wheel Option / Kit
Includes Items # 1, 3 and instructions. May be ordered as a dealer-installed option. Contact your Walker dealer.

1	8037-1	Seal, Outer (1-3/4 x 1-1/8)	2
2	8048	Wide Tail Wheel Axle	1
3	8045	Wide Tail Wheel & Tire (13 x 8.00-6)	1
	8045-1	Wide Tire (13 x 8.00-6)	*
	8047	Wheel & Hub (6 x 7)	*

AT8072 All-Terrain Tire Option

Includes Item # 4 and instructions. May be ordered as a dealer-installed option. Contact your Walker dealer.

4	8070-6	AT Wheel & Tire RH/LH (18 x 11-10)	2
	8070-7	AT Tire RH/LH (18 x 11-10)	*
	8070-8	AT/LP Wheel (10 x 8.5)	*
	8075-2	AT/LP Tire Tube (18 x 11-10)	*
5	8070-31	Wheel Spacer Plate (1/2)	2

ITEM NO.	PART NO.	DESCRIPTION	NO. REQ'D
----------	----------	-------------	-----------

Kit LP8075 Low Profile Tire Option / Kit
Includes Item # 6 and instructions. May be ordered as a factory-installed option, or as a kit for dealer installation. Contact your Walker dealer.

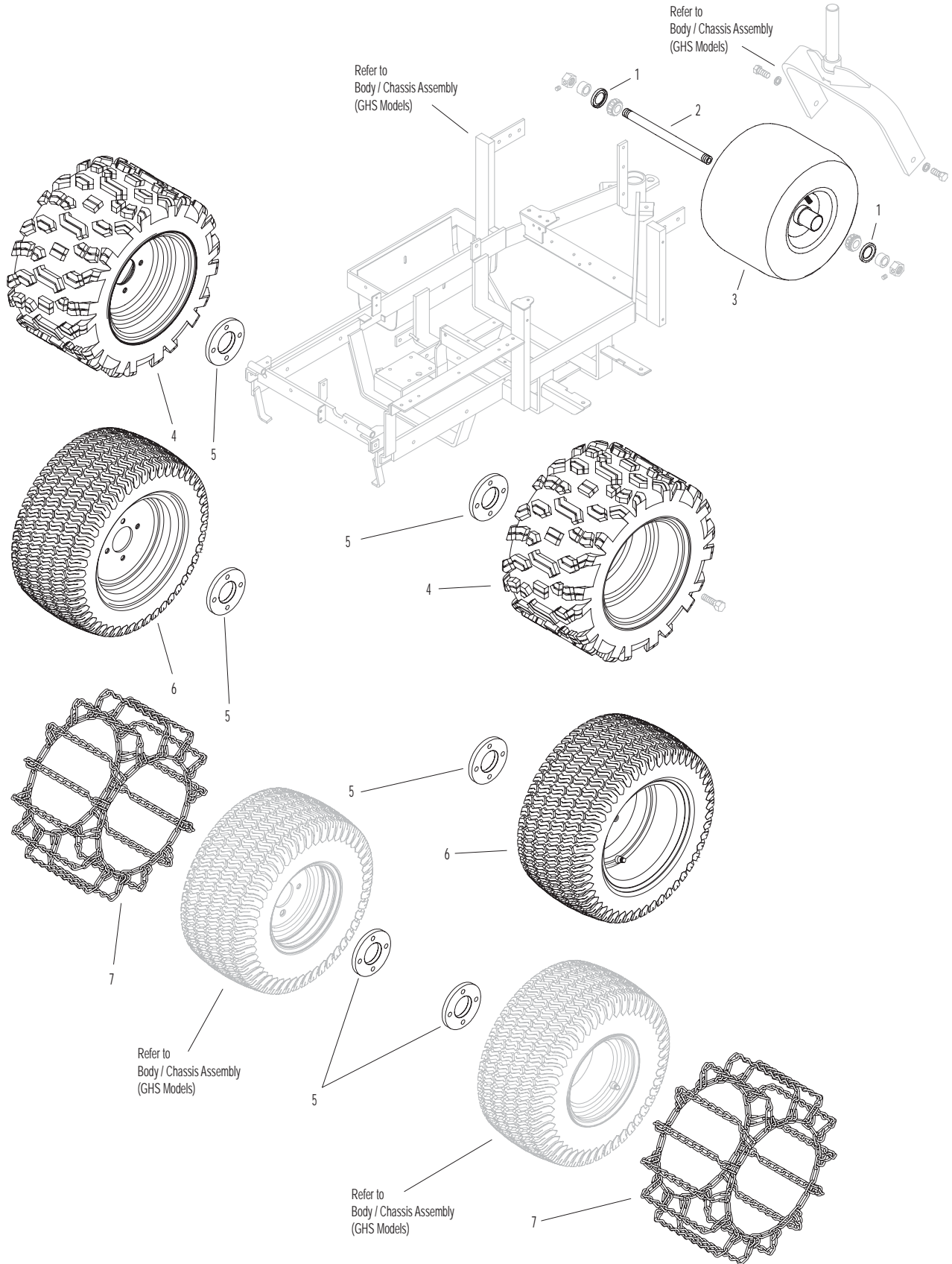
6	8075	LP Wheel & Tire (18 x 10.5-10)	2
	8075-1	LP Tire (18 x 10.5-10)	*
	8070-8	AT/LP Wheel (10 x 8.5)	*
	8075-2	AT/LP Tire Tube (18 x 11-10)	*

Optional Tire Chain Set

7	5675-3	Tire Chain Set (18 x 9.50-8)	1
---	--------	------------------------------	---

* Service Part Only

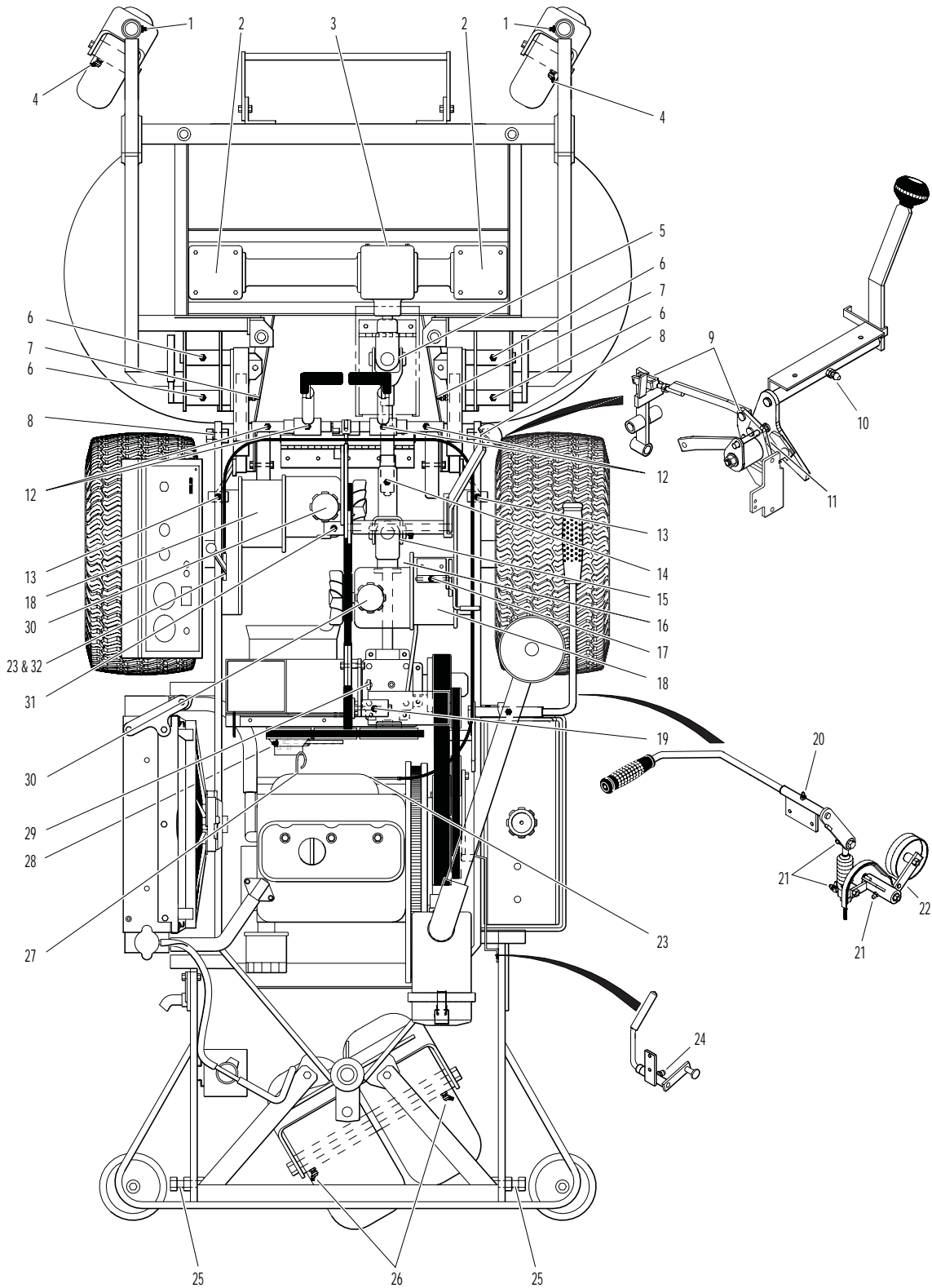
WIDE TAIL WHEEL / ALL-TERRAIN TIRE KIT & TIRE CHAIN SET



LUBRICATION POINTS

ITEM NO.	LOCATION	LUBRICATION TYPE	NO. PLACES	ITEM NO.	LOCATION	LUBRICATION TYPE	NO. PLACES
Lubrication Points				23	Throttle Control Cable Ends	Oil	2
1	Deck Caster Wheel Fork Pivot	Grease	2	24	Cold Start Lever	Grease	1
2	Blade Drive Gearbox	Oil*	2	25	Catcher Hinge Point	Oil	2
3	Tee Gearbox, Deck	Oil*	1	26	Rear Wheel Bearings	Grease	2
4	Deck Caster Wheel Bearing	Grease	2	27	Engine Dipstick / Oil Filler	Oil***	1
5	Universal Joint Shaft Assembly	Grease**	1	28	Belt Tightener Pivot, Blower Drive (GHS Model Only)	Grease	1
6	Pivot Assembly, Tilt-Up Deck	Grease	4	29	PTO Gearbox Dipstick	Oil***	1
7	Deck Support Arm Socket	Grease	2	30	Hydrostatic Drive	Oil***	2
8	Body Hinge Point	Oil	2	31	(FSC) Friction Body Pivot	Grease	1
9	FSC Actuator Rod Pivot Pins	Oil	2	32	Throttle Control Pivot	Oil	1
10	FSC Lever Pivot	Grease	1				
11	FSC Lever Fork (Grease Slide Area)	Grease	1	*	Gearboxes are permanently lubricated and sealed requiring no scheduled lubrication. Oil level should be checked only when an oil leak is noted.		
12	Steering Lever Pivot	Grease	4	**	Grease every eight (8) hours.		
13	Deck Support Arm Pivot	Grease	2	***	See Owner's Manual for procedure for checking and changing oil in Engine Crankcase, Hydrostatic Transmissions and Gear Axles.		
14	Deck-to-PTO Coupling (Grease Slide Area)	Grease	1	NOTE:	See Model MDD Owner's Manual (P/N 7000-8) for proper lubrication intervals.		
15	Universal Joint Tube Assembly	Grease**	1	NOTE:	DGHS42 Tilt-Up Mower Deck is shown for reference. For other Mower Deck Lubrication Points, Refer to Carrier Frames and Mower Decks Illustrated Parts Manual .		
16	Universal Joint Quick Connect Spline (Grease Slide Area)	Grease	1				
17	Parking Brake Lever	Grease	1				
18	Gear Axle	Oil***	2				
19	Belt Tightener Pivot, Ground Drive	Grease	1				
20	PTO Clutch Lever Pivot	Grease	1				
21	Clutch Actuator Push Rod	Grease	3				
22	Brake Actuator Rod and Brake Band Pivot Pins (Clevis)	Oil	1				

LUBRICATION POINTS



WIRING SCHEMATIC

WALKER MODEL MDD Beginning S/N 2004-66313

IGNITION SWITCH CIRCUITS	
OFF	ALL OPEN
GLOW PLUG	30 + 19 + AC
START	30 + 17 + 50 + AC
RUN	30 + AC

30 = BATTERY
17 = START / REVERSING MODULE
19 = GLOW PLUGS
50 = START
AC = FUEL PUMP, FUEL SOLENOID
GAUGES, AND FAN

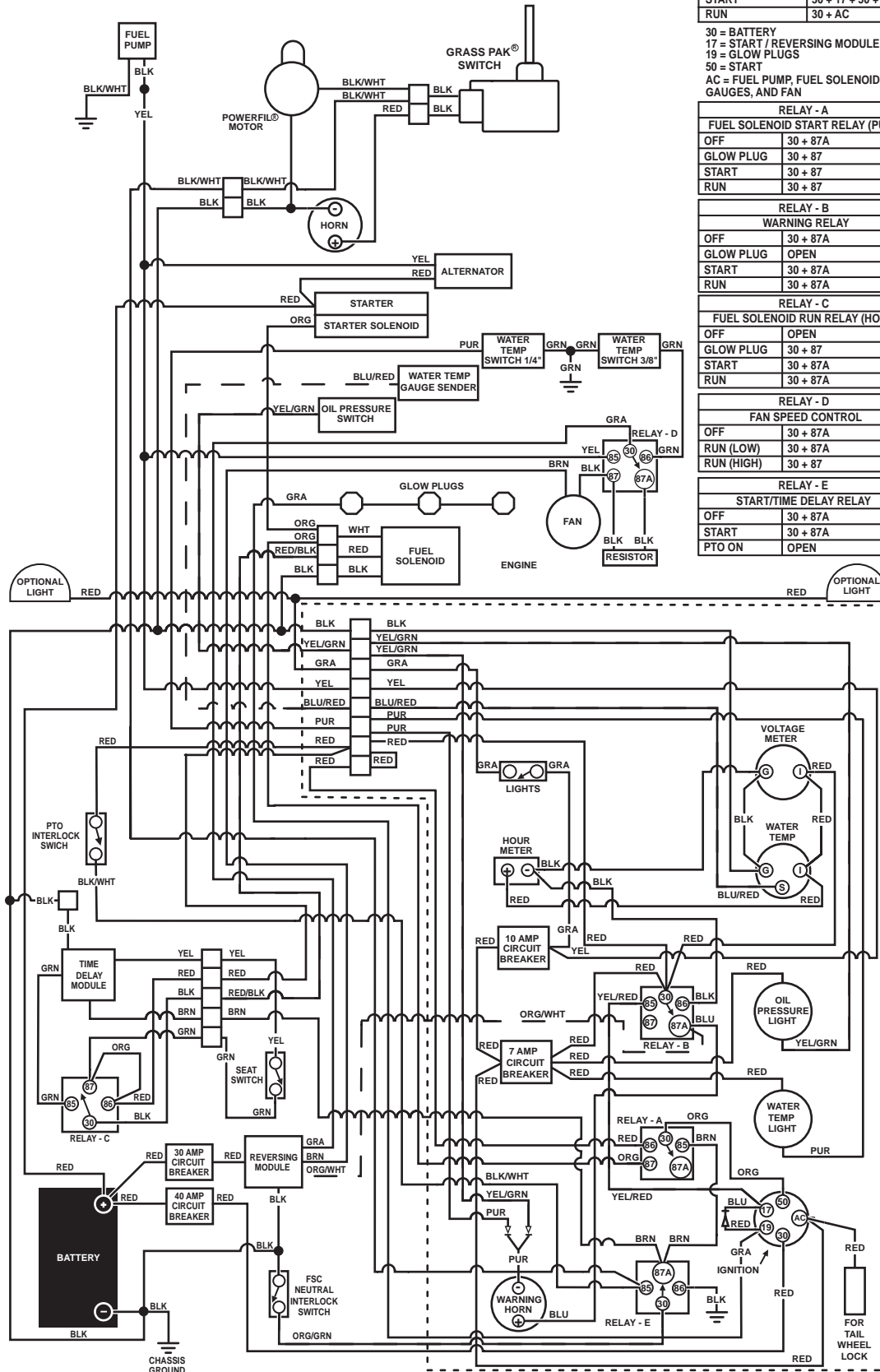
RELAY - A FUEL SOLENOID START RELAY (PULL)	
OFF	30 + 87A
GLOW PLUG	30 + 87
START	30 + 87
RUN	30 + 87

RELAY - B WARNING RELAY	
OFF	30 + 87A
GLOW PLUG	OPEN
START	30 + 87A
RUN	30 + 87A

RELAY - C FUEL SOLENOID RUN RELAY (HOLD)	
OFF	OPEN
GLOW PLUG	30 + 87
START	30 + 87A
RUN	30 + 87A

RELAY - D FAN SPEED CONTROL	
OFF	30 + 87A
RUN (LOW)	30 + 87A
RUN (HIGH)	30 + 87

RELAY - E START/TIME DELAY RELAY	
OFF	30 + 87A
START	30 + 87A
PTO ON	OPEN



Use only genuine Walker® replacement parts.

Effective Date 09-15-07

LIMITED WARRANTY FOR WALKER COMMERCIAL RIDER MOWER

1. WHAT THIS WARRANTY COVERS, AND FOR HOW LONG:

Walker Manufacturing company will, at its option, repair or replace, without charge, any part covered by this warranty which is found to be defective in material and/or workmanship within one (1) year* after date of sale to the original retail purchaser unless the product is used for rental purposes, in which case this warranty is limited to ninety (90) days. At Walker's request, customer will make the defective part available for inspection by Walker and/or return the defective part to Walker, transportation charges prepaid. All parts and components of the Walker Mower are covered by this warranty **except** the following components which are warranted separately by their respective manufacturers:

Kohler Engine
Kubota Engine
Kawasaki Engine
Eaton Hydraulic Transmission
Peerless Gearboxes
Battery
Tires

The available warranties covering these items are furnished with each mower. Walker does not assume any warranty obligation, liability or modification for these items, which are covered exclusively by the stated warranty of the respective manufacturers noted above.

* An extended three (3) year warranty is offered on the Walker P/N 6200-9 Gear Axle Assembly.

2. WHAT THIS WARRANTY DOES NOT COVER:

- A. This warranty does not cover defects caused by depreciation or damage caused by normal wear, accidents, improper maintenance, improper use or abuse of the product, alterations, or failure to follow the instructions contained in the Owner's Manual for operation and maintenance.
- B. The customer shall pay any charges for making service calls and/or for transporting the mower to and from the place where the inspection and/or warranty work is performed.

3. HOW TO OBTAIN SERVICE UNDER THIS WARRANTY:

Warranty service can be arranged by contacting the dealer where you purchased the mower or by contacting Walker Manufacturing Company, 5925 East Harmony Road, Ft. Collins, CO 80528. Proof of the date of purchase may be required to verify warranty coverage.

4. WARRANTY LIMITATION:

- A. **THERE IS NO OTHER EXPRESS WARRANTY. ANY WARRANTY THAT MAY BE IMPLIED FROM THIS PURCHASE INCLUDING MERCHANTABILITY AND FITNESS FOR A PARTICULAR PURPOSE IS HEREBY LIMITED TO THE DURATION OF THIS WARRANTY AND TO THE EXTENT PERMITTED BY LAW ANY AND ALL IMPLIED WARRANTIES ARE EXCLUDED.** Some states do not allow limitations on how long an implied warranty lasts, so the above limitations may not apply to you.
- B. **WALKER WILL NOT BE LIABLE FOR ANY INCIDENTAL, CONSEQUENTIAL, OR SPECIAL DAMAGES AND/OR EXPENSES IN CONNECTION WITH THE PURCHASE OR USE OF THE MOWER.** Some states do not allow the exclusion or limitation of incidental or consequential damages, so the above limitation(s) or exclusion(s) may not apply to you.
- C. Only the warranty expressed in this limited warranty shall apply and no dealer, distributor, or individual is authorized to amend, modify, or extend this warranty in any way. Accordingly, additional statements such as dealer advertising or presentations, whether oral or written, do not constitute warranties by Walker, and should not be relied upon.
- D. This warranty gives you specific legal rights, and you may also have other rights which vary from state to state.

WALKER MOWERS™

WALKER MFG. CO. • 5925 E. HARMONY ROAD, FORT COLLINS, CO 80528 • (970) 221-5614
FORM NO. 091507 PRINTED IN USA www.walkermowers.com ©2007 WALKER MFG. CO