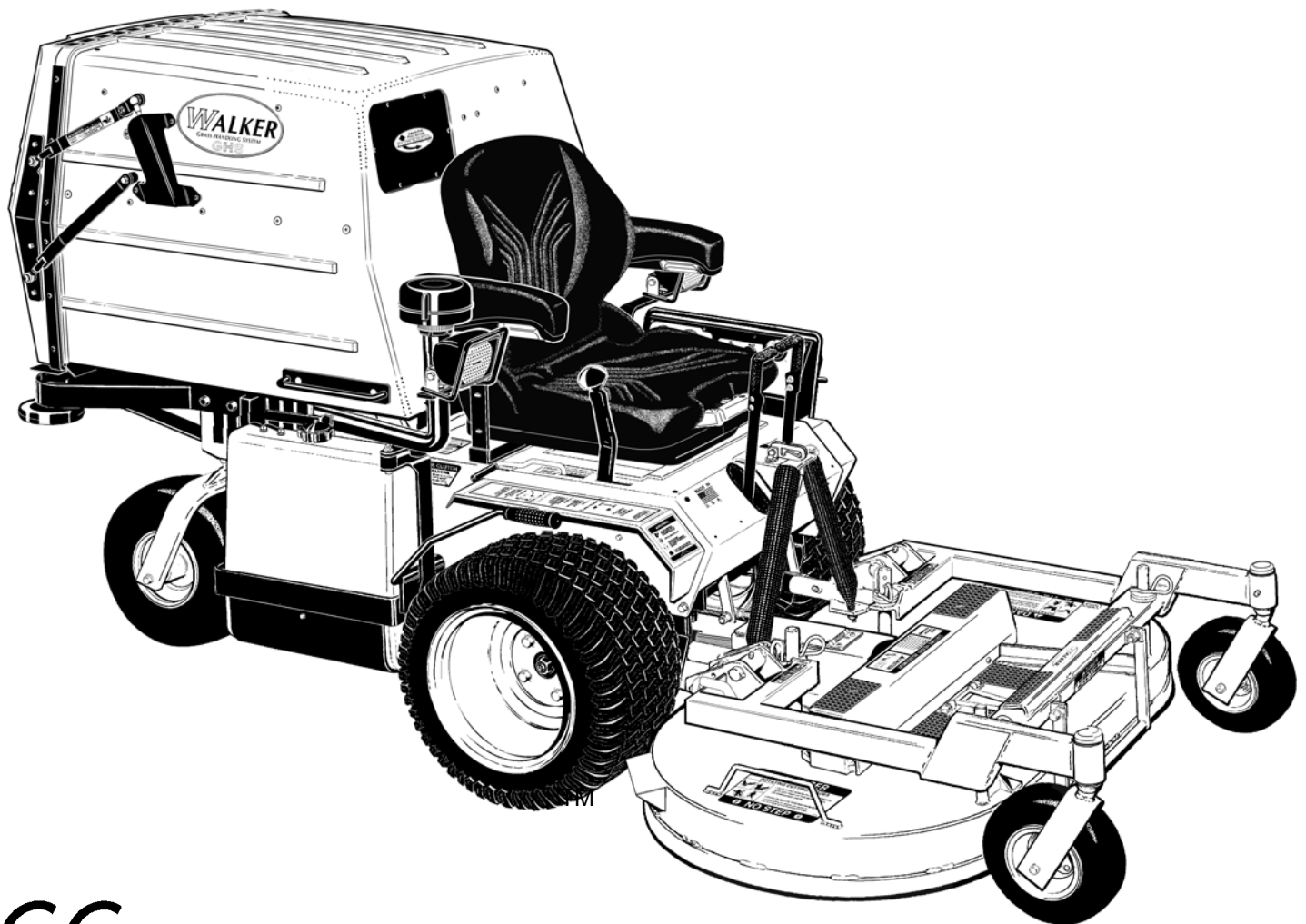


# Walker Rider Lawnmowers

## ILLUSTRATED PARTS MANUAL

Model MDD (20.9 HP Diesel)



CE

Effective Date:  
06-01-09

P/N 7000-11

# KEY TO ABBREVIATIONS USED IN THIS MANUAL

<i>Abbreviation</i>	<i>What it Represents</i>
° (Dimension)	Degrees (Angle)
" (Dimension)	inches
(-)	Negative (Polarity)
(+)	Positive (Polarity)
AT	All-Terrain
CCW	Counter-clockwise
Conn.	Connector
CW	Clockwise
D	Diameter
DGHS	Deck, Grass Handling System (number refers to size in inches)
DML	Deck, Mulching (number refers to size in inches)
DSD	Deck, Side Discharge (number refers to size in inches)
DU	Garlock (Bearing)
ESNA (Fastener)	Nylon Insert Locknut
FSC	Forward Speed Control
GA	Gauge
gal.	gallon
GHS	Grass Handling System
GR (Fastener)	Grade
HP	Horse Power
HT	Heat-Treated
ID	Identification or Inside Diameter
L	Length
LH	Left Hand (orientated with operator on seat)
LP	Low Profile
mm (Dimension)	millimeters
MS (Fastener)	Machine Screw
NS (as part number)	Item is not sold by Walker Manufacturing
OD	Outside Diameter
oz.	ounce
PFH (Fastener)	Phillips Flat Head
P/N	Part Number
PPH (Fastener)	Phillips Pan Head
PTH (Fastener)	Phillips Truss Head
PTO	Power Take-Off
QKS	Quick Slide
qt.	quart
RH	Right Hand (orientated with operator on seat)
SAE (Fastener)	Society of Automotive Engineers
SBH (Fastener)	Socket Button Head (Bolt)
SD	Side Discharge
SFH (Fastener)	Slotted Flat Head
SHC (Fastener)	Socket Head Cap
SHL (Fastener)	Shoulder (Bolt)
SM (Fastener)	Sheet Metal (Screw)
S/N	Serial Number
Spg.	Spring
SQH (Fastener)	Square Head
SS (Fastener)	Stainless Steel
ST (Fastener)	Self-Tapping (Screw)
Term.	Terminal
V	Volts

NOTE: In some instances, combinations of abbreviations may be used (e.g. PPHMS - Phillips Pan Head Machine Screw).

Use only genuine Walker® replacement parts.

Effective Date 06-01-09

# ILLUSTRATED PARTS LIST

<i>Section of Mower Covered</i>	<i>Page</i>	<i>Section of Mower Covered</i>	<i>Page</i>
<hr/>		<hr/>	
<b>Decals</b>		<b>Options and Kits</b>	
Tractor Decals .....	2	Power Deck Lift Kit .....	44
<b>Body / Chassis Assemblies</b>		Armrest Kit / Touch-Up Paint / Comfort Seat Kit ...	46
Body / Chassis Assembly (GHS Models) .....	4	Light Kit / Suspension Seat Replacement Parts ...	48
Rear Body Assembly (GHS Models) .....	6	Power Dump Kit	
Body Assembly (SD Models) .....	8	(10.0 Bushel GHS Models Only) .....	50
<b>Tractor Components</b>		(7.0 Bushel GHS Models Only) .....	52
Main Component Power Transmission		Hi-Dump Kit .....	54
(GHS Models) .....	10	Hi-Dump Kit - Hydraulic .....	56
(SD Models) .....	12	No Catch Deflector Kit / Tail Weight Kit .....	58
Engine Group .....	14	Spread Tail Wheel Axle Kit / Speed Up Kit .....	60
Air Intake and Exhaust Group .....	16	Tail Wheel Lock Kit / Blower Lockout Kit /	
Radiator Group .....	18	Case-Hardened Blower .....	62
Hydrostatic Ground Drive Assemblies .....	20	Wide Tail Wheel / All-Terrain Tire Kit &	
Steering Control Assemblies .....	22	Tire Chain Set .....	64
Throttle Control Assemblies .....	24	<b>Maintenance</b>	
Parking Brake Assembly .....	26	Lubrication Points .....	66
GHS Group .....	28	Wiring Schematic .....	68
GHS Powerfil® Assemblies (10.0 / 7.0) .....	30	<b>Warranty</b>	
GHS 10.0 Bushel Catcher Assembly .....	32	Limited Warranty.....	69
GHS 7.0 Bushel Catcher &			
Exhaust Deflector Assemblies .....	34		
Instrument Panel Assembly .....	36		
<b>Electrical Components</b>			
Electrical Assembly .....	38		
Electrical Assemblies			
(GHS 10.0 / 7.0 Bushel Components) .....	40		
Electrical Connectors .....	42		

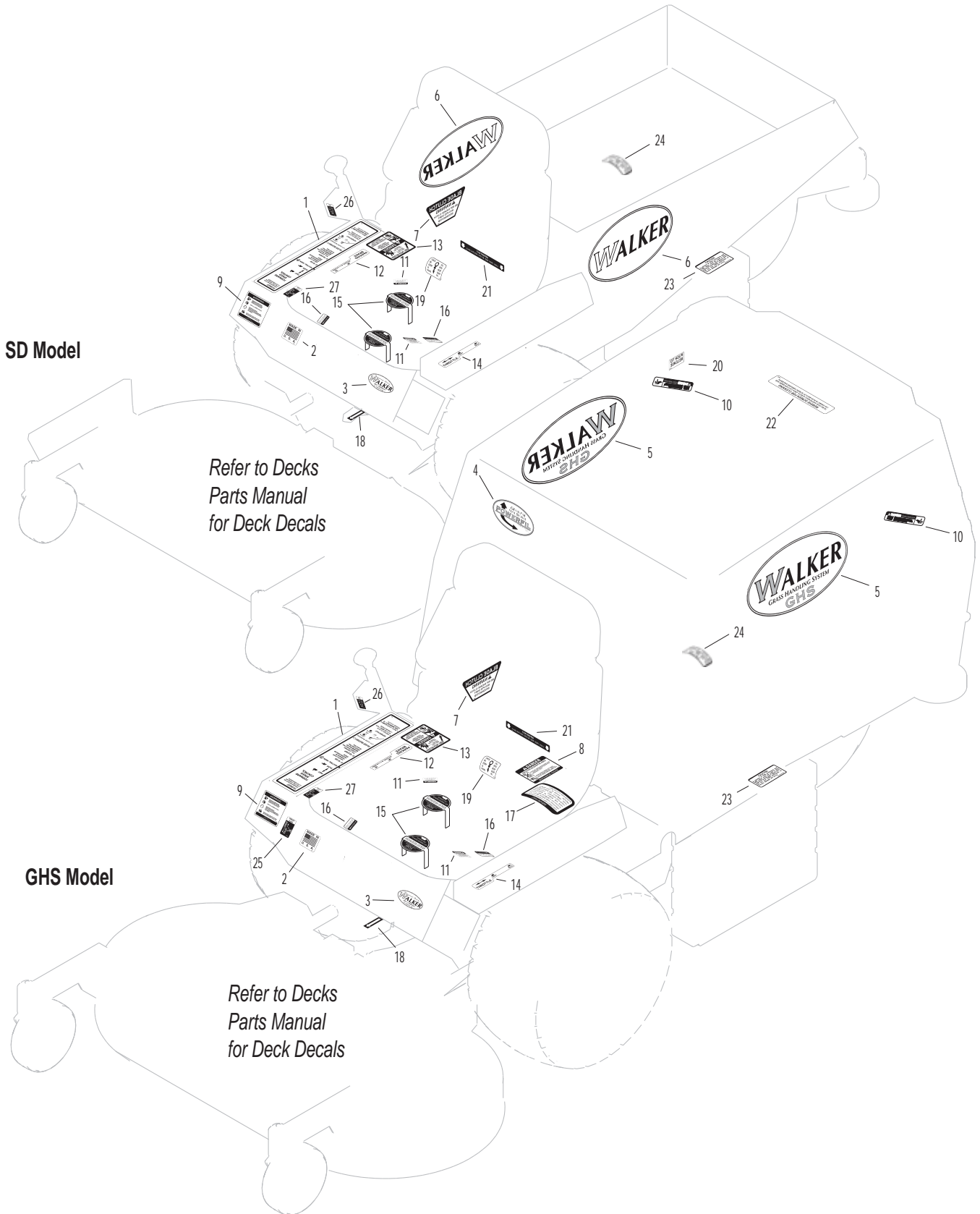
# TRACTOR DECALS

ITEM NO.	PART NO.	DESCRIPTION	LOCATION	NO. REQ'D. GHS	NO. REQ'D SD
<b>Walker Product Decals</b>					
1	7802	RH Fender	Body, RH Side near Seat	1	1
2	5856	Made in USA	Body	1	1
3	5803	Walker Manufacturing Logo	Body	1	1
4	5813-1	Powerfil®	7.0 / 10.0 Bushel Catcher, Front	1	0
5	5801	GHS	7.0 / 10.0 Bushel Catcher (one on each side)	2	0
6	5800	Walker Mower (4 x 7-1/2)	Utility Bed (one on each side)	0	2
7	5806	Blade Clutch	Body, RH Side	1	1
<b>Danger Decals Warning Decals Caution Decals</b>					
8	5804	Danger, Rotating Blower Blades	Body, Near Body Chute	1	0
9	7818	Warning, Read Manual	Body	1	1
10	5868	Danger, Pinch Point	7.0 / 10.0 Bushel Catcher Mounting Frame Assembly (one on each side)	2	0
11	5810-3	Decal, Hydro Warning	Bridge Assembly and LH Gear Axle Drive Assembly	2	2
<b>Maintenance Decals</b>					
12	7809	Parking Brake	Body, RH Side below Seat	1	1
13	8400-6	Danger, Body Latch	Body, RH Side below Seat	1	1
14	7819	Throttle	Body, LH Side	1	1
15	NS	Sealed Reservoir	Hydrostatic Drives (one on each)	2	2
16	5810-1	Axle Oil Level	Gear Axle Drive Assemblies (one on each)	2	2
17	5819	Blower Maintenance	Blower Housing	1	0
18	6875	PTO Alignment Arrow	Universal Joint Tube Assembly	1	1
19	7827	Oil Level	Jackshaft Support	1	1
20	5874	Push to Release	7.0 Bushel Catcher Safety Latch	1*	0
21	8825	Front Body Closure	Rear Cross Member, Body	1	1
22	5869	Removable Screen	7.0 / 10.0 Bushel Catcher Removable Screen	1	0
23	NS	Caution (19426-87881 Kubota)	Radiator	1	1
24	NS	Caution (19426-87903 Kubota)	Air Cleaner Cover	1	1
<b>Option Decals (applied only to units with corresponding Options installed)</b>					
25	7633	Power Dump Switch	Body	1	0
26	8555	Tail Wheel Lock	FSC Lever Assembly - Switch Mount Bracket	1	1
27	8654	Power Deck Lift Switch	Body, RH Side	1	1
	8500-8	No Catch Deflector	7.0 Bushel No Catch Deflector, LH Side (Refer to 7.0 Bushel No Catch Deflector Kit Listing)	1*	0

\* Item used on 7.0 models only

**NOTE:** All parts requiring decals are shipped with decals applied.

# TRACTOR DECALS



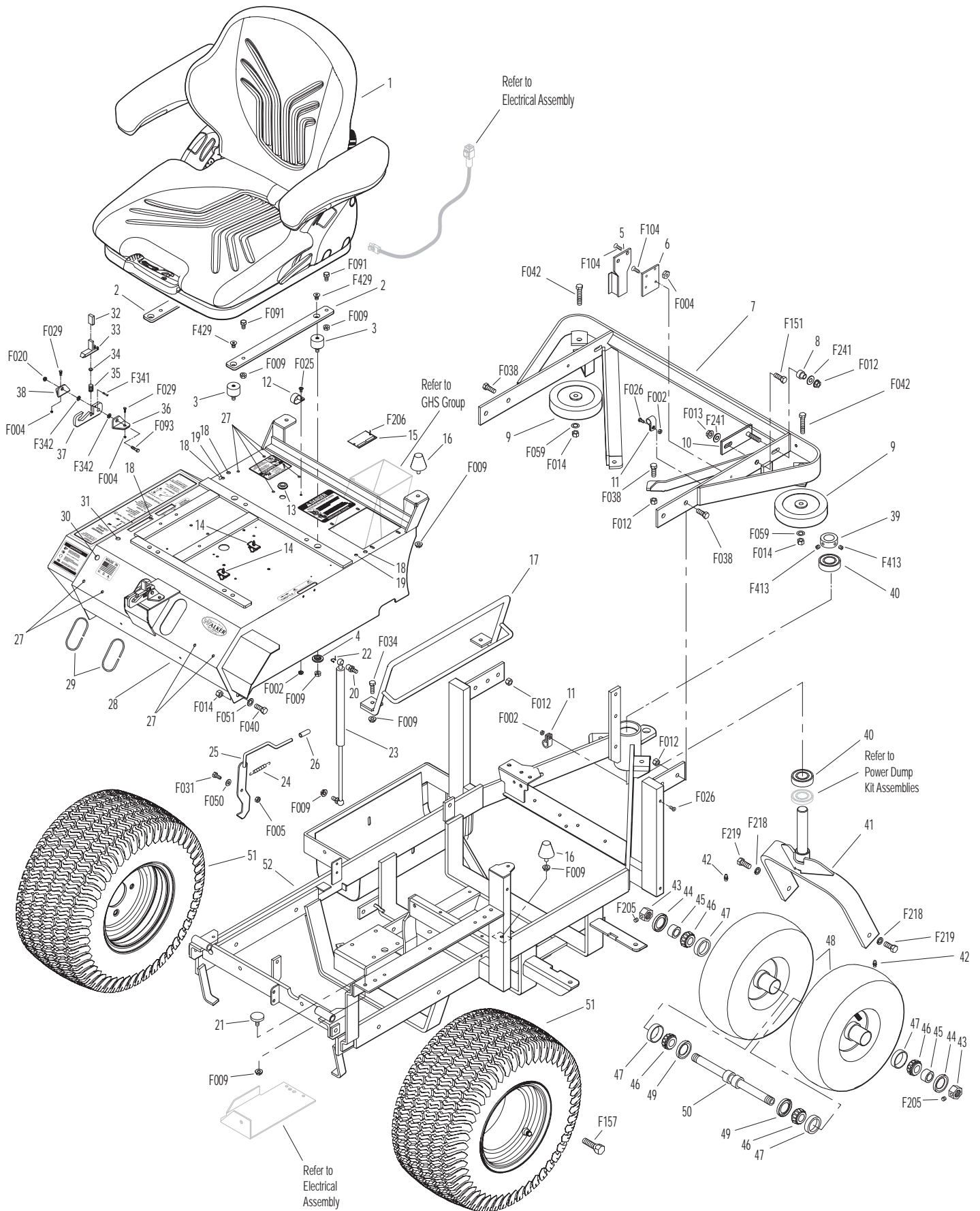
# BODY / CHASSIS ASSEMBLY (GHS MODELS)

ITEM NO.	PART NO.	DESCRIPTION	NO. REQ'D	ITEM NO.	PART NO.	DESCRIPTION	NO. REQ'D
<b>Seat Assembly</b>				47	8037-2	Bearing Race	4
1	6103-14	Suspension Seat	1	48	8035	Tail Wheel & Tire (13 x 5.00-6) (With Bearing Race)	2
2	6103-35	Suspension Seat Mount	2		7035-1	Tail Wheel Tire (13 x 5.00-6)	**
3	7440-7	Shock Mount	4		8036	Tail Wheel & Hub (6 x 3.25) (Includes Items # 41 & 47)	**
4	6105-1	Shoulder Washer	2		7420-20	Dual Tail Wheel & Tire Assembly (Includes Items # 44-47 & 49-51)	**
<b>Rear Bumper Assembly (GHS Models Only)*</b>				49	8768-2	Seal, Reverse Lip	2
5	NS	Recovery Tank Mount (19449-72502 Kubota)	1	50	8038	Tail Wheel Axle (3/4 x 10-3/8)	1
6	7047-5	Mount Plate	1	51	7070	Wheel & Tire (18 x 9.5-8)	2
7	7516-7	7.0 / 10.0 Rear Bumper	1		7070-1	Drive Tire (18 x 9.5-8)	**
8	7516-5	Catcher Pivot Bushing	2		5070-4	Wide Wheel (8 x 7)	**
9	5162	Roller Wheel (5" Rubber)	2	52	7300-6	Chassis Frame	1
10	7517-2	Catcher Pivot Plate	2	<b>Fasteners</b>			
11	5832	Cable Clamp (1/2)	2	F002	10-24 Keps Nut		3
<b>Body Assembly</b>				F004	1/4-20 Keps Nut		6
12	7833-2	Cable Clamp (1 x 1/4)	1	F005	1/4-20 ESNA Nut		1
13	5977-3	Grommet (9/16)	1	F009	5/16-18 Whiz Locknut		15
14	6105-3	Harness Clip	2	F012	3/8-16 Keps Nut		8
15	NS	Body ID Plate	1	F013	3/8-16 Whiz Locknut		2
16	5845	Rubber Bumper (1.50 OD x 1.25)	4	F014	3/8-16 ESNA Nut		4
17	7422	Panel Guard	1	F020	5/16-18 ESNA Nut		1
18	5989-4	Dome Plug (3/8)	4	F025	10-24 x 3/8 PPHMS		1
19	5989-3	Dome Plug (5/16)	2	F026	10-24 x 1/2 PPHMS		2
20	7146	13mm Ball Stud	2	F029	1/4-20 x 1/2 Hex Bolt		2
21	7844	Rubber Bumper (1.25 OD x .25)	1	F031	1/4-20 x 5/8 Hex Bolt		1
22	7147	Spring Clip	2	F034	5/16-18 x 3/4 Hex Bolt		2
23	7145	Gas Spring Assembly (Includes Items # 20 & 22)	1	F038	3/8-16 x 1 Hex Bolt		6
24	7222	Extension Spring (1/4 x 3)	1	F040	3/8-16 x 1-1/2 Hex Bolt		2
25	7383-3	Body Latch Hook (2-1/2 Side Bars)	1	F042	3/8-16 x 2-1/4 Hex Bolt		2
26	7854	Plastic Tip, Red	1	F050	1/4 SAE Washer		1
27	5989-9	Dome Plug (1/4)	8	F051	3/8 SAE Washer		2
28	7100-7	Front Body	1	F059	3/8 Wave Spring Washer		2
29	5180	Edge Molding, Lever Opening	2	F091	5/16-18 x 5/8 Hex Bolt		4
30	5989-55	Dome Plug (1/2)	1	F093	5/16-18 x 1 Hex Bolt		1
31	5989-5	Dome Plug (7/16)	1	F104	1/4-20 x 3/4 PFH Bolt		4
<b>Tilt-Up Latch Assembly***</b>				F151	3/8-16 x 7/8 Hex Bolt		2
32	5847	Plastic Tip	1	F157	1/2-20 x 1-1/4 Wheel Lug Bolt		8
33	5744-20	Spring Arm, Tilt-Up Latch	1	F205	5/16-18 x 1/4 Set Screw, Knurl Point		2
34	5744-10	Spring Pivot Bushing	1	F206	#2 x 3/16 Drive Pin		2
35	5744-15	Compression Spring (3/8 x 5/8)	1	F218	7/16 Split Lock Washer		2
36	5744-13	Mount Angle, LH	1	F219	7/16-14 x 1-1/4 Hex Bolt		2
37	5744-12	Hook, Tilt-Up Latch	1	F241	.375 x .875 x .10 Washer		4
38	5744-14	Mount Angle, RH	1	F341	Coil Roll Pin (7/64 x 9/16)		1
<b>Chassis Assembly</b>				F342	5/16 Conical Washer		2
39	5267-1	Retainer Collar (1") (Includes Item # F413)	1	F413	5/16-24 x 5/16 Set Screw		2
40	5270-1	Pivot Bearing	2	F429	5/16-18 x 1/2 SFH Screw		4
41	7420	Tail Wheel Fork	1	* Rear Bumper Assembly for SD Models is not shown here. Refer to <b>BODY ASSEMBLY (SD MODELS)</b> , Page 8.			
42	5830-3	Grease Fitting (45 Degree)	2	** Service Part Only			
43	8039	Nut, Tail Wheel Axle	2	*** Complete Tilt-Up Latch Assembly Kit available by ordering kit # 5747.			
44	8037-1	Seal, Outer (1-3/4 x 1-1/8)	2				
45	8038-1	Spacer, Tail Wheel Axle	2				
46	8037	Bearing Cone (3/4 ID)	4				

Use only genuine Walker® replacement parts.

Effective Date 06-01-09

# BODY / CHASSIS ASSEMBLY (GHS MODELS)



Effective Date 06-01-09

Use only genuine Walker<sup>™</sup> replacement parts.

## REAR BODY ASSEMBLY (GHS MODELS)

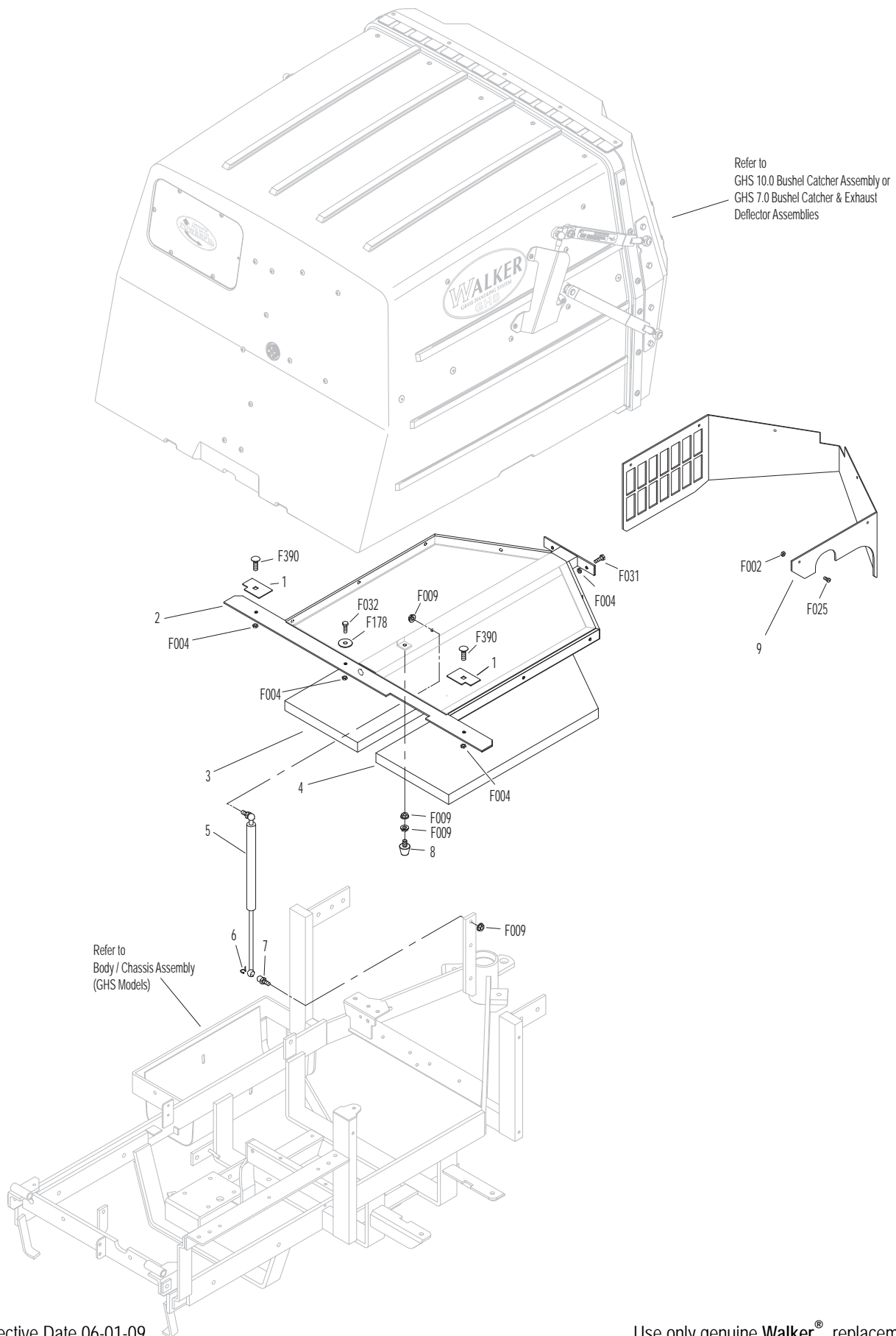
ITEM NO.	PART NO.	DESCRIPTION	NO. REQ'D	ITEM NO.	PART NO.	DESCRIPTION	NO. REQ'D
<b>Rear Body Assembly (GHS Models)</b>				<b>Fasteners</b>			
1	8515-10	Catcher Reinforcing Plate	2	F002		10-24 Keps Nut	6
2	8615-2	Catcher Support Frame, 10.0	1	F004		1/4-20 Keps Nut	5
3	7190-2	Insulation Foam Pad, RH	1	F009		5/16-18 Whiz Locknut	4
4	7190-1	Insulation Foam Pad, LH	1	F025		10-24 x 3/8 PPHMS	6
5	7145	Gas Spring Assembly (Includes Items # 6 & 7)	1	F031		1/4-20 x 5/8 Hex Bolt	2
6	7147	Spring Clip	2	F032		1/4-20 x 3/4 Hex Bolt	1
7	7146	13mm Ball Stud	2	F178		1/4 x 1 Fender Washer	1
8	5845	Rubber Bumper (1.50 x 1.25)	1	F390		1/4-20 x 7/8 Carriage Bolt	2
9	7105-5	Rear Body Panel	1				

**NOTE:** Rear Bumper Assembly for GHS Models is not shown here. Refer to **BODY / CHASSIS ASSEMBLY (GHS MODELS)**, Page 4.

**NOTE:** Decals for this assembly are not shown here. Refer to **TRACTOR DECALS**, Page 2 for Decal listing and placement information.



# REAR BODY ASSEMBLY (GHS MODELS)



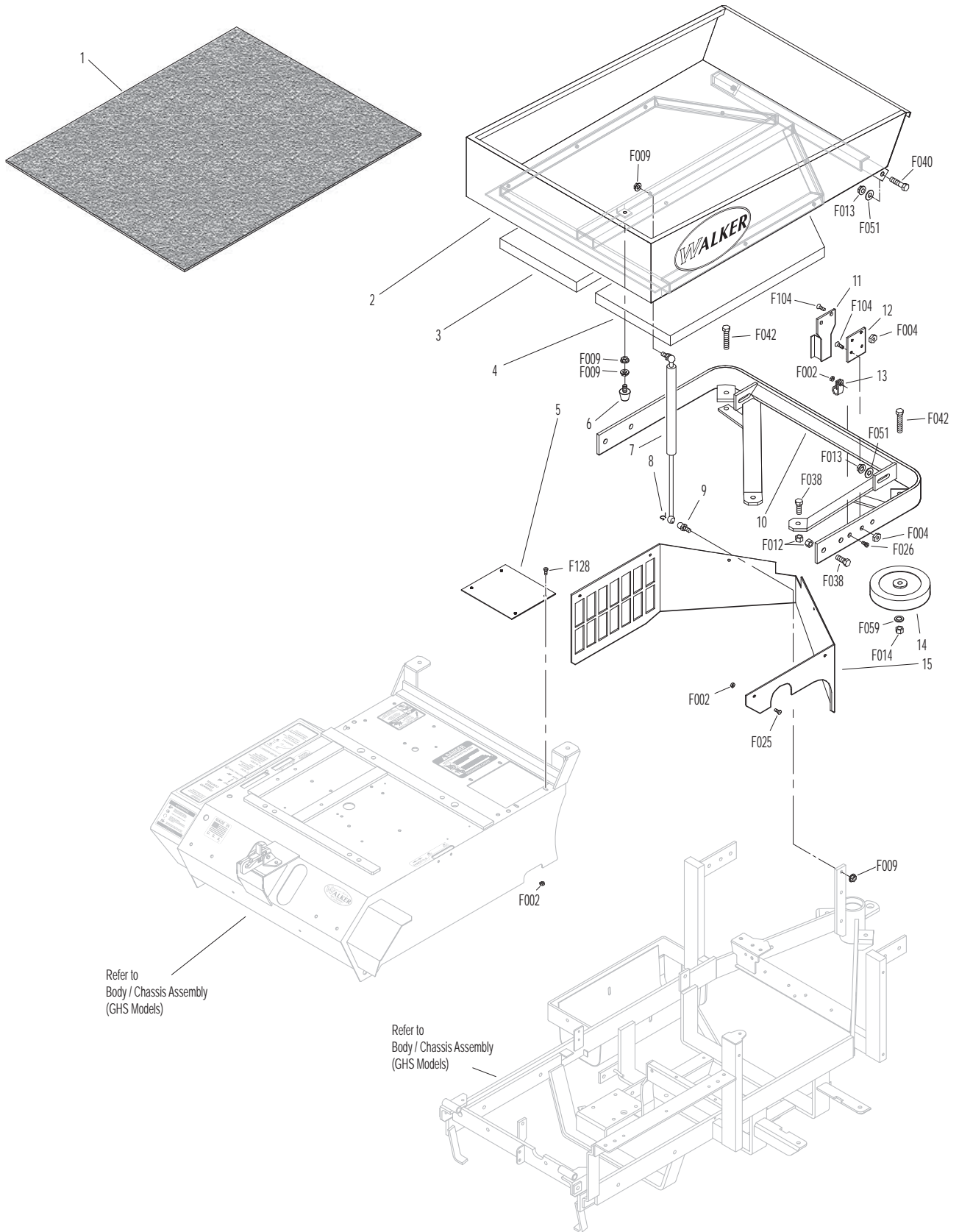
Effective Date 06-01-09

Use only genuine Walker® replacement parts.

## BODY ASSEMBLY (SD MODELS)

ITEM NO.	PART NO.	DESCRIPTION	NO. REQ'D	ITEM NO.	PART NO.	DESCRIPTION	NO. REQ'D
<b>Utility Bed Assembly</b>				<b>Fasteners</b>			
1	8650-10	Bed Liner (21.5 x 27.5)	1	F002		10-24 Keps Nut	11
2	7650-3	Utility Bed (Includes Item # 1)	1	F004		1/4-20 Keps Nut	4
3	7190-2	Insulation Foam Pad, RH	1	F009		5/16-18 Whiz Locknut	4
4	7190-1	Insulation Foam Pad, LH	1	F012		3/8-16 Keps Nut	6
<b>Rear Bumper Assembly (SD Models)</b>				F013		3/8-16 Whiz Locknut	4
5	7153-3	Cover Plate	1	F014		3/8-16 ESNA Nut	2
6	5845	Rubber Bumper (1.50 x 1.25)	1	F025		10-24 x 3/8 PPHMS	6
7	7145	Gas Spring Assembly (Includes Items # 8 & 9)	1	F026		10-24 x 1/2 PPHMS	1
8	7147	Spring Clip	2	F038		3/8-16 x 1 Hex Bolt	6
9	7146	13mm Ball Stud	2	F040		3/8-16 x 1-1/2 Hex Bolt	2
10	7521-5	Rear Bumper	1	F042		3/8-16 x 2-1/4 Hex Bolt	2
11	NS	Recovery Tank Mount (19449-72502 Kubota)	1	F051		3/8 SAE Washer	4
12	7047-5	Mount Plate	1	F059		3/8 Wave Spring Washer	2
13	5832	Cable Clamp (1/2)	2	F104		1/4-20 x 3/4 PFH Bolt	4
14	5162	Roller Wheel (5" Rubber)	2	F128		10-24 x 3/8 PTHMS	4
15	7105-5	Rear Body Panel	1	<b>NOTE: Refer to BODY / CHASSIS ASSEMBLY (GHS MODELS), Page 4 for all common parts used on both models.</b>			

# BODY ASSEMBLY (SD MODELS)



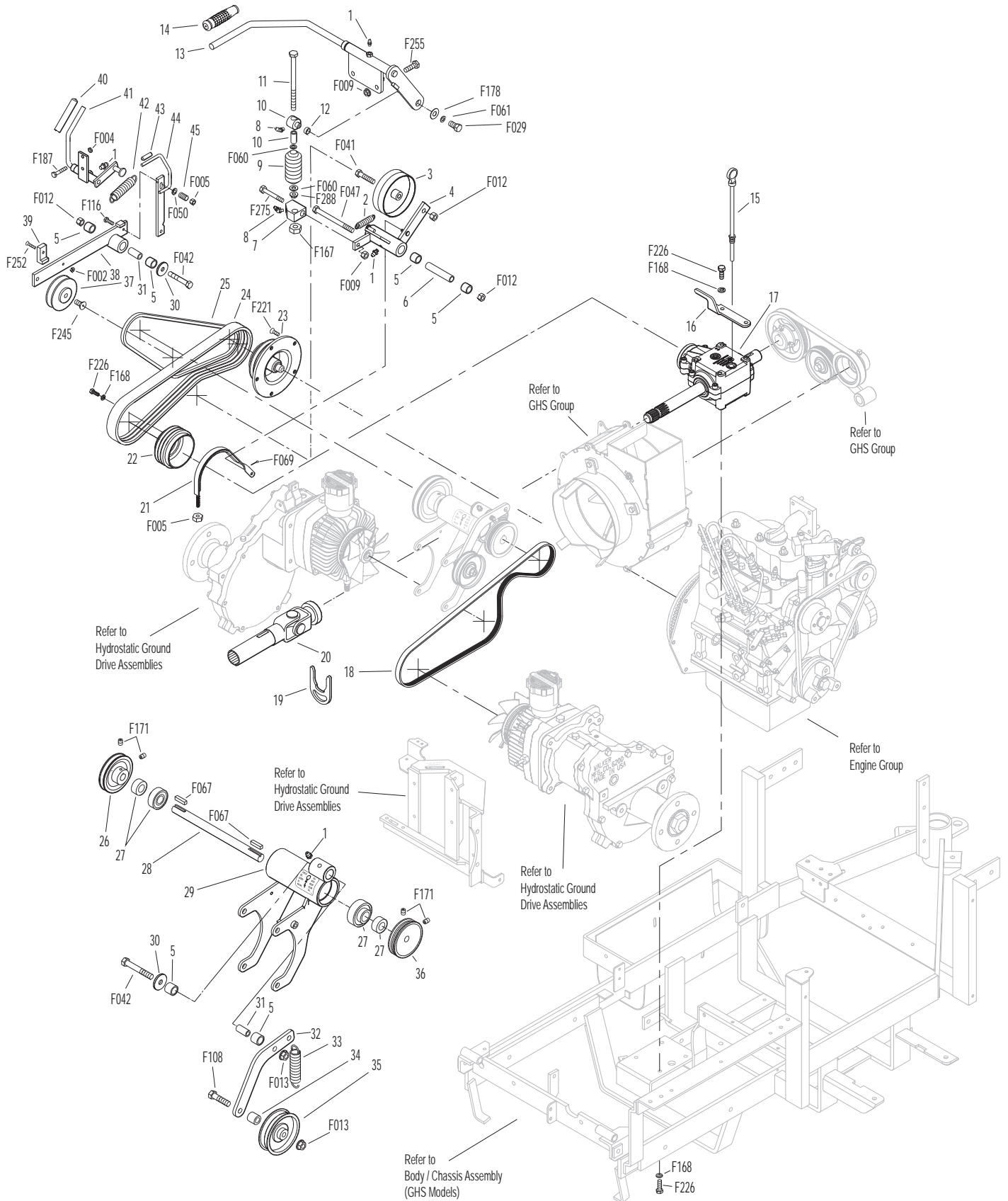
# MAIN COMPONENT POWER TRANSMISSION (GHS MODELS)

ITEM NO.	PART NO.	DESCRIPTION	NO. REQ'D	ITEM NO.	PART NO.	DESCRIPTION	NO. REQ'D
<b>Clutch Lever Assembly</b>				<b>Ground Drive Release Assembly</b>			
1	5830	Grease Fitting	4	37	7245-1	Idler Pulley (3/8 Groove)	1
2	5229	Extension Spring (1/2 x 2-1/4)	1	38	7374	Ground Drive Release Arm	1
3	7243	Clutch Idler Pulley	1	39	7390	Idler Arm Guide	1
4	7368-5	PTO Belt Tightener (1.75 TAB)	1	40	7406-1	Handle Grip, Red	1
5	7201-3	DU Bearing	6	41	7376	Handle, Ground Drive Release (Includes Item # 40)	1
6	7201-6	Inner Race (3-5/8)	1	42	5221	Extension Spring (3/4 x 4)	1
7	7303-9	Clutch Actuator Block	1	43	7854	Plastic Tip, Red	1
8	5830-3	Grease Fitting (45 Degree)	2	44	7375	Spring Arm, Ground Drive Idler Release (Includes Item # 43)	1
9	7226	Compression Spring (3/4 x 2-1/2)	1	45	7225	Compression Spring (7/16 x 1/2)	1
10	7380	Knuckle Joint	1	<b>Fasteners</b>			
11	7303-7	Clutch Actuator Rod	1	F002	10-24 Keps Nut		1
12	7378	Pivot Bearing (7/16 x 9/16)	1	F004	1/4-20 Keps Nut		2
13	7358	Clutch Lever (Includes Items # 1 & 14)	1	F005	1/4-20 ESNA Nut		2
14	7860	Handle Grip	1	F009	5/16-18 Whiz Locknut		3
<b>PTO Drive Shaft Assembly</b>				F012	3/8-16 Keps Nut		3
15	7050-1	Dipstick, Gearbox	1	F013	3/8-16 Whiz Locknut		2
16	7377-1	Brake Band Guide	1	F029	1/4-20 x 1/2 Hex Bolt		1
17	7050-11	PTO Gearbox / Flange Pulley	1	F041	3/8-16 x 1-3/4 Hex Bolt		1
18	7248	Ground Drive Belt, Micro-V	1	F042	3/8-16 x 2-1/4 Hex Bolt		2
19	7275-9	Quick Coupler Installation Tool	**	F047	3/8-16 x 4-1/2 Hex Bolt		1
20	7275-16	Universal Joint Tube Assembly / Spline	1	F050	1/4 SAE Washer		1
21	7303-2	Brake Band (13-5/8)	1	F060	AN960516 Washer		2
22	7236-1	PTO Drive Pulley (4-1/2/3V) (Includes Items # F168 & F226)	1	F061	1/4 Internal Star Lock Washer		1
23	7237-30	Engine Pulley (Flywheel Mount) (Includes Item # F221)	1	F067	3/16 x 3/16 x 1 Key		2
24	7230	Engine PTO Belt	1	F069	3/32 x 1/2 Cotter Pin		1
25	6231	Drive Belt (3VX355)	1	F108	3/8-16 x 2 Hex Bolt		1
<b>Jackshaft Assembly</b>				F116	1/4-20 x 1-1/4 Hex Bolt		1
26	7240-3	Jackshaft Drive Pulley (4.15/3V) (Includes Items # F067 & F171)	1	F167	5/16-18 Hex Nut		1
27	5268	Bearing with Collar (3/4)	2	F168	5/16 Split Lock Washer		9
28	7273	Jackshaft (3/4 x 8-7/8)	1	F171	5/16-18 x 3/8 Set Screw		4
29	7393-7	Hydro Jackshaft Mount	1	F178	1/4 x 1 Fender Washer		1
	7394-1	Hydro Jackshaft Mount Assembly (Includes Items # 1, 5, 27-29 & 31)	*	F187	1/4-20 x 1-1/2 Hex Bolt		2
30	5841	Retainer Washer (3/8 x 1-1/4)	2	F221	M8 x 1.25 x 16 PFH Bolt		5
31	7201-4	Inner Race (1-1/2)	2	F226	5/16-18 x 7/8 Hex Bolt		9
32	7349-50	Idler Arm	1	F245	3/8-24 x 7/8 SFH Cap Screw		1
33	7349-2	Extension Spring (3/4 x 4)	1	F252	10-24 x 3/4 PFHMS		1
34	6325-3	Spacer Bushing (9/16)	1	F255	5/16-18 x 1-1/2 Hex Bolt		2
35	5245	Idler Pulley (3")	1	F275	5/16-18 x 2 Hex Bolt		1
36	7241-2	Transmission Drive Pulley (3-1/4MV) (Includes Items # F067 & F171)	1	F288	5/16-18 ESNA Jam Nut		1
				* Service Part Only			
				** The Quick Coupler Installation Tool is used to assist the installation of the Quick Coupler Tube and PTO Shaft connection by holding the disconnect ring in the retracted position when joined to the tractor spline shaft on the PTO gearbox.			

Use only genuine **Walker**® replacement parts.

Effective Date 06-01-09

# MAIN COMPONENT POWER TRANSMISSION (GHS MODELS)



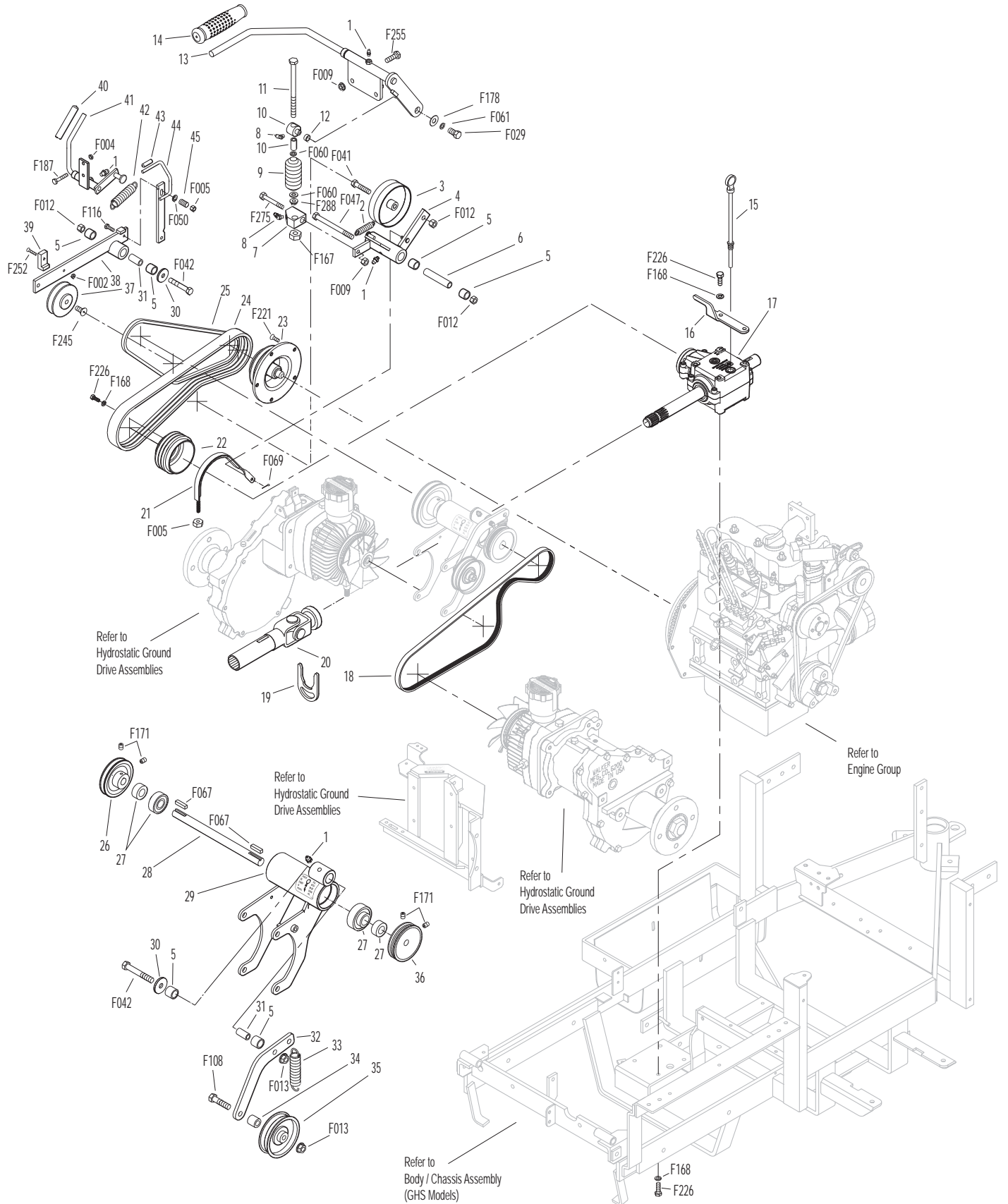
# MAIN COMPONENT POWER TRANSMISSION (SD MODELS)

ITEM NO.	PART NO.	DESCRIPTION	NO. REQ'D	ITEM NO.	PART NO.	DESCRIPTION	NO. REQ'D
<b>Clutch Lever Assembly</b>				<b>Ground Drive Release Assembly</b>			
1	5830	Grease Fitting	4	37	7245-1	Idler Pulley (3/8 Groove)	1
2	5229	Extension Spring (1/2 x 2-1/4)	1	38	7374	Ground Drive Release Arm	1
3	7243	Clutch Idler Pulley	1	39	7390	Idler Arm Guide	1
4	7368-5	PTO Belt Tightener (1.75 TAB)	1	40	7406-1	Handle Grip, Red	1
5	7201-3	DU Bearing	6	41	7376	Handle, Ground Drive Release (Includes Item # 40)	1
6	7201-6	Inner Race (3-5/8)	1	42	5221	Extension Spring (3/4 x 4)	1
7	7303-9	Clutch Actuator Block	1	43	7854	Plastic Tip, Red	1
8	5830-3	Grease Fitting (45 Degree)	2	44	7375	Spring Arm, Ground Drive Idler Release (Includes Item # 43)	1
9	7226	Compression Spring (3/4 x 2-1/2)	1	45	7225	Compression Spring (7/16 x 1/2)	1
10	7380	Knuckle Joint	1	<b>Fasteners</b>			
11	7303-7	Clutch Actuator Rod	1	F002	10-24 Keps Nut		1
12	7378	Pivot Bearing (7/16 x 9/16)	1	F004	1/4-20 Keps Nut		2
13	7358	Clutch Lever (Includes Items # 1 & 14)	1	F005	1/4-20 ESNA Nut		2
14	7860	Handle Grip	1	F009	5/16-18 Whiz Locknut		3
<b>PTO Drive Shaft Assembly</b>				F012	3/8-16 Keps Nut		3
15	7050-1	Dipstick, Gearbox	1	F013	3/8-16 Whiz Locknut		2
16	7377-1	Brake Band Guide	1	F029	1/4-20 x 1/2 Hex Bolt		1
17	7050-11	PTO Gearbox / Flange Pulley	1	F041	3/8-16 x 1-3/4 Hex Bolt		1
18	7248	Ground Drive Belt, Micro-V	1	F042	3/8-16 x 2-1/4 Hex Bolt		2
19	7275-9	Quick Coupler Installation Tool	**	F047	3/8-16 x 4-1/2 Hex Bolt		1
20	7275-16	Universal Joint Tube Assembly / Spline	1	F050	1/4 SAE Washer		1
21	7303-2	Brake Band (13-5/8)	1	F060	AN960516 Washer		2
22	7236-1	PTO Drive Pulley (4-1/2/3V) (Includes Items # F168 & F226)	1	F061	1/4 Internal Star Lock Washer		1
23	7237-30	Engine Pulley (Flywheel Mount) (Includes Item # F221)	1	F067	3/16 x 3/16 x 1 Key		2
24	7230	Engine PTO Belt	1	F069	3/32 x 1/2 Cotter Pin		1
25	6231	Drive Belt (3VX355)	1	F108	3/8-16 x 2 Hex Bolt		1
<b>Jackshaft Assembly</b>				F116	1/4-20 x 1-1/4 Hex Bolt		1
26	7240-3	Jackshaft Drive Pulley (4.15/3V) (Includes Items # F067 & F171)	1	F167	5/16-18 Hex Nut		1
27	5268	Bearing with Collar (3/4)	2	F168	5/16 Split Lock Washer		9
28	7273	Jackshaft (3/4 x 8-7/8)	1	F171	5/16-18 x 3/8 Set Screw		4
29	7393-7	Hydro Jackshaft Mount	1	F178	1/4 x 1 Fender Washer		1
	7394-1	Hydro Jackshaft Mount Assembly (Includes Items # 1, 5, 27-29 & 31)	*	F187	1/4-20 x 1-1/2 Hex Bolt		2
30	5841	Retainer Washer (3/8 x 1-1/4)	2	F221	M8 x 1.25 x 16 PFH Bolt		5
31	7201-4	Inner Race (1-1/2)	2	F226	5/16-18 x 7/8 Hex Bolt		9
32	7349-50	Idler Arm	1	F245	3/8-24 x 7/8 SFH Cap Screw		1
33	5221-1	Extension Spring (3/4 x 5)	1	F252	10-24 x 3/4 PFHMS		1
34	6325-3	Spacer Bushing (9/16)	1	F255	5/16-18 x 1-1/2 Hex Bolt		2
35	5245	Idler Pulley (3")	1	F275	5/16-18 x 2 Hex Bolt		1
36	7241-2	Transmission Drive Pulley (3-1/4MV) (Includes Items # F067 & F171)	1	F288	5/16-18 ESNA Jam Nut		1
				* Service Part Only			
				** The Quick Coupler Installation Tool is used to assist the installation of the Quick Coupler Tube and PTO Shaft connection by holding the disconnect ring in the retracted position when joined to the tractor spline shaft on the PTO gearbox.			

Use only genuine Walker® replacement parts.

Effective Date 06-01-09

# MAIN COMPONENT POWER TRANSMISSION (SD MODELS)

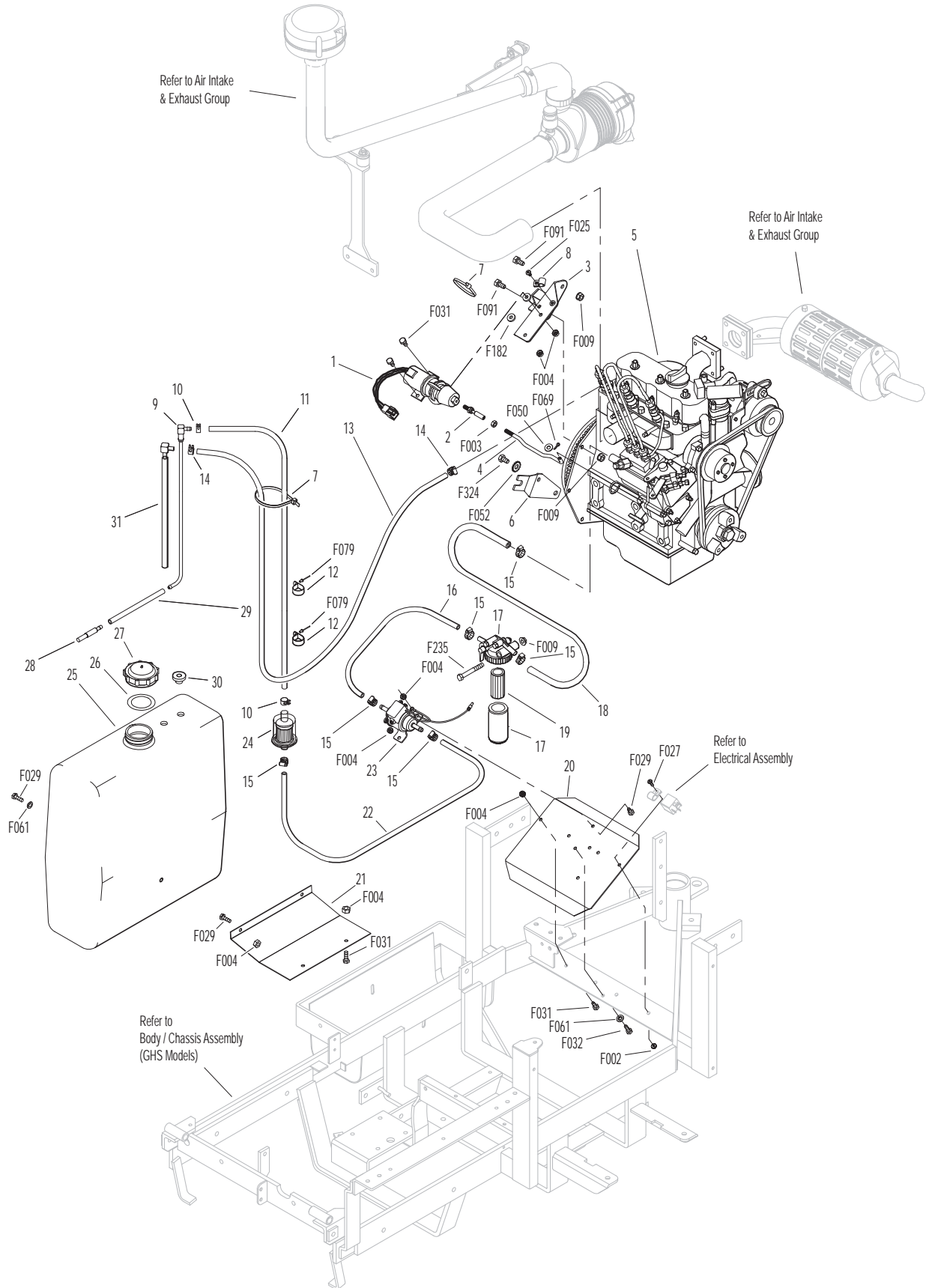


# ENGINE GROUP

ITEM NO.	PART NO.	DESCRIPTION	NO. REQ'D	ITEM NO.	PART NO.	DESCRIPTION	NO. REQ'D
<b>Engine Assembly</b>				28	5020-2	Fuel Filter, In Tank	1
1	7929	Actuating Solenoid	1	29	5086-7	Hose (1/4 x 6)	1
2	7305-3	Inline Ball Joint	1	30	5083-1	Bushing, Rubber	*
3	7343-1	Solenoid Mount	1	31	7046-1	Fuel Return Tube	1
4	7305-1	Solenoid Linkage Rod	1	<b>Fasteners</b>			
5	NS	Kubota Diesel Engine (D 722 Kubota)	1	F002	10-24 Keps Nut		1
6	7341	Throttle Cable Mount Bracket	1	F003	1/4-28 Hex Nut		1
7	5975-3	Cable Tie (50# x 7")	2	F004	1/4-20 Keps Nut		9
<b>Fuel Tank Assembly</b>				F009	5/16-18 Whiz Locknut		4
8	5832	Cable Clamp (1/2)	1	F025	10-24 x 3/8 PPHMS		1
9	5083-5	Tank Tube Elbow	1	F027	10-24 x 5/8 PPHMS		1
10	5879-3	Hose Clamp (1/2)	2	F029	1/4-20 x 1/2 Hex Bolt		4
11	7015-14	Hose (1/4 x 16-1/2)	1	F031	1/4-20 x 5/8 Hex Bolt		5
12	7833	Cable Clamp (7/8 x 1/4)	2	F032	1/4-20 x 3/4 Hex Bolt		1
13	7015-12	Hose (3/16 x 32)	1	F050	1/4 SAE Washer		1
14	5879-2	Hose Clamp, Silver (7/16)	2	F052	5/16 Ext. Star Lock Washer		2
15	7840-2	Hose Clamp (1/4 to 5/8)	6	F061	1/4 Internal Star Lock Washer		2
16	7015-16	Hose (5/16 x 14-1/2)	1	F069	3/32 x 1/2 Cotter Pin		1
17	NS	Fuel Filter (19204-43010 Kubota)	1	F079	A/A66D Aluminum Pop Rivet		2
18	7015-17	Hose (5/16 x 25-1/2)	1	F091	5/16-18 x 5/8 Hex Bolt		2
19	7021	Fuel Filter (15231-43560 Kubota)	1	F182	5/8 x 1/4 x 1/8 Washer		2
20	7389	Splash Guard	1	F235	5/16-18 x 2-1/2 Hex Bolt		1
21	7048	Trash Guard	1	F324	M8 x 1.25 x 12 Hex Bolt		2
22	7015-15	Hose (5/16 x 17-1/2)	1	* Service Part Only			
23	NS	Fuel Pump (12691-52031 Kubota)	1	<b>NOTE:</b> Refer to <b>ELECTRICAL CONNECTORS</b> , Page 42 for identification of all Electrical Wiring Service Parts.			
24	7020	Fuel Filter (In-Line)	1	<b>NOTE:</b> Decals for this assembly are not shown here. Refer to <b>TRACTOR DECALS</b> , Page 2 for Decal listing and placement information.			
25	8046-8	Fuel Tank, 5 Gallon, Diesel (Includes Items # 27 & 30)	1				
26	5082-2	Fuel Cap Seal	*				
27	7082	Fuel Tank Cap, Diesel (Includes Item # 26)	*				



# ENGINE GROUP



# AIR INTAKE AND EXHAUST GROUP

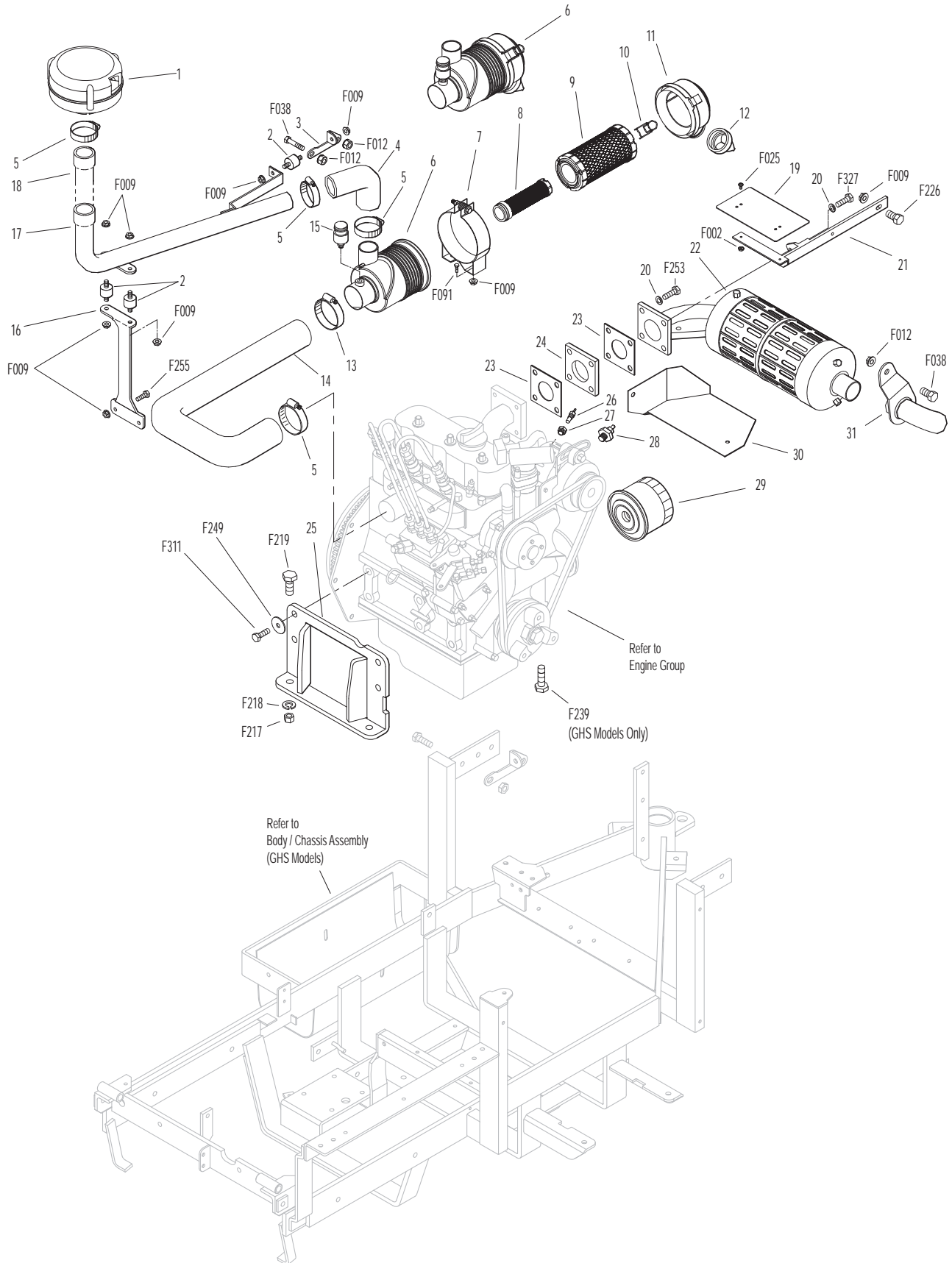
ITEM NO.	PART NO.	DESCRIPTION	NO. REQ'D	ITEM NO.	PART NO.	DESCRIPTION	NO. REQ'D
<b>Precleaner Assembly</b>				<b>Fasteners</b>			
1	7026-2	Remote Precleaner (Includes Item # 5)	1	F002		10-24 Keps Nut	2
2	7440	Shock Mount (1.0 OD x .75)	3	F009		5/16-18 Whiz Locknut	8*
3	7028-20	Rear Precleaner Mount	1	F012		3/8-16 Keps Nut	3
4	7027	Elbow, Precleaner	1	F025		10-24 x 3/8 PPHMS	2
5	7840	Hose Clamp (1-5/16 to 2-1/4)	3	F038		3/8-16 x 1 Hex Bolt	2**
6	5088-10	Air Cleaner Assembly (Includes Item # 15)	*	F091		5/16-18 x 5/8 Hex Bolt	2
7	5088-1	Air Cleaner Band	1	F217		7/16-14 Hex Nut	4
8	5090-3	Safety Filter Insert	1	F218		7/16 Split Lock Washer	4
9	5090-1	Air Cleaner Cartridge	1	F219		7/16-14 x 1-1/4 Hex Bolt (GHS Models use only 3)	4
10	5088-5	Air Cleaner Draw Latch	2	F226		5/16-18 x 7/8 Hex Bolt	1
11	5088-11	Air Cleaner Cap	1	F239		7/16-14 x 1-1/2 Hex Bolt	1***
12	5090-2	Vacuator Valve	1	F249		M10 Split Lock Washer	8
13	6029	Hose Clamp (2-1/2)	1	F253		M8 x 1.25 x 35 GR 8 Bolt	3
14	7016	Air Intake Hose	1	F255		5/16-18 x 1-1/2 Hex Bolt	2
15	5091-10	Air Flow Indicator & Nipple	1	F311		M10 x 1.25 x 20 Hex Bolt	8
16	7031	Tube Support Arm	1	F327		M8 x 1.25 x 40 GR 8 Hex Bolt	1
17	7028-3	Precleaner Tube, SD	1				
18	7028-2	Precleaner Tube, GHS	1				
<b>Exhaust Assembly</b>							
19	7437-1	Exhaust Manifold Shield	1				
20	NS	Spring Washer (04512-50080 Kubota)	4				
21	7437-6	Engine Brace (Includes Items # 19, F002 & F025)	1				
22	NS	Muffler (15262-12110 Kubota)	1				
23	NS	Muffler Gasket (15371-12370 Kubota)	2				
24	7034	Spacer, Muffler	1				
25	7354	Motor Mount	2				
26	7306-15	Water Temperature Sender	1				
27	7306-12	Temperature Sender Adapter	1				
28	7306-13	Oil Pressure Switch	1				
29	7023	Oil Filter (15841-32439 Kubota)	1				
30	7047-2	Manifold Heat Shield	1				
31	7013-2	Tail Pipe	1				

\* Two (2) F009 and two (2) F035 fasteners are reused from Clutch Lever Assembly. Refer to **MAIN COMPONENT POWER TRANSMISSION (GHS OR SD MODELS)**, Pages 10 or 12.

\*\* One (1) F012 and one (1) F038 fastener are reused from Rear Bumper Assembly. Refer to **BODY / CHASSIS ASSEMBLY (GHS MODELS)**, Page 4.

\*\*\* GHS Models Only

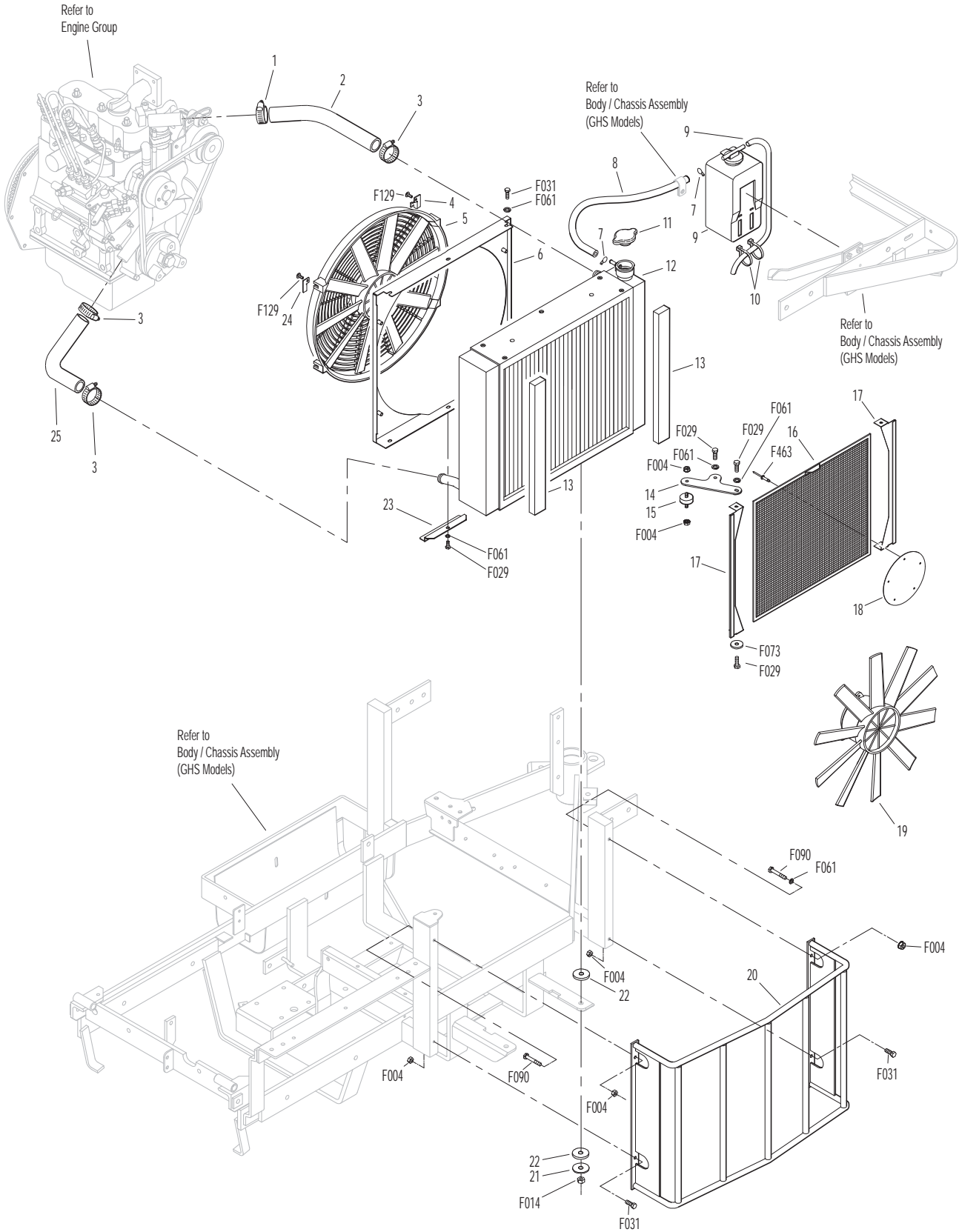
# AIR INTAKE AND EXHAUST GROUP



# RADIATOR GROUP

ITEM NO.	PART NO.	DESCRIPTION	NO. REQ'D	ITEM NO.	PART NO.	DESCRIPTION	NO. REQ'D
<b>Radiator Assembly</b>				<b>Fasteners</b>			
1	7840-4	Hose Clamp (3/4 to 1-1/2)	1	F004		1/4-20 Keps Nut	6
2	7017-3	Upper Radiator Hose	1	F014		3/8-16 ESNA Nut	2
3	7840-3	Hose Clamp (1/2 to 1-1/4)	3	F029		1/4-20 x 1/2 Hex Bolt	5
4	7427-21	Fan Mount Tab, LH	2	F031		1/4-20 x 5/8 Hex Bolt	7
5	7429-6	Radiator Cooling Fan	1	F061		1/4 Internal Star Lock Washer	7
6	7427-5	Radiator Fan Shroud	1	F073		1/4 x 1.5 Fender Washer	2
7	NS	Recovery Tank Hose Clamp (15501-72470 Kubota)	2	F089		Belleville Washer SS	*
8	7015-6	Recovery Tank Hose (60")	1	F090		1/4-20 x 2-1/2 Hex Bolt	2
9	NS	Coolant Recovery Tank and Hose (19059-72090 Kubota)	1	F129		10-24 x 1/2 PTHMS	4
10	5975-3	Cable Tie (50# x 7")	2	F143		10-32 x 1/4 Whiz Lock Bolt	*
11	7427-9	Radiator Cap	*	F222		Thrust Washer	*
12	7427	Radiator	1	F237		Spring Ring	*
13	7431-1	Radiator Channel Seal (1/4 x 1/2 x 13.5)	2	F254		Fender Washer	*
14	7435	Radiator Brace	1	F463		1/8" Aluminum Rivet	*
15	7432	Shock Mount (1.00 OD x .75)	1	* Service Part Only			
16	7425	Radiator Screen (Includes Items # 18 & F463)	1	<b>NOTE:</b> Decals for this assembly are not shown here. Refer to <b>TRACTOR DECALS</b> , Page 2 for Decal listing and place- ment information.			
17	7426	Screen Channel	2				
18	7425-2	Debris Plate	*				
19	7429-7	Fan Blade Replacement (Includes Items # F089, F143, F222, F237 & F254)	*				
20	7430	Radiator Guard	1				
21	5841	Retainer Washer (3/8 x 1-1/4)	2				
22	7434	Rubber Washer (3/8 x 1-1/4 x 1/4)	4				
23	7427-7	Debris Shield, Shroud	1				
24	7427-22	Fan Mount Tab, RH	2				
25	7017-2	Lower Radiator Hose	1				

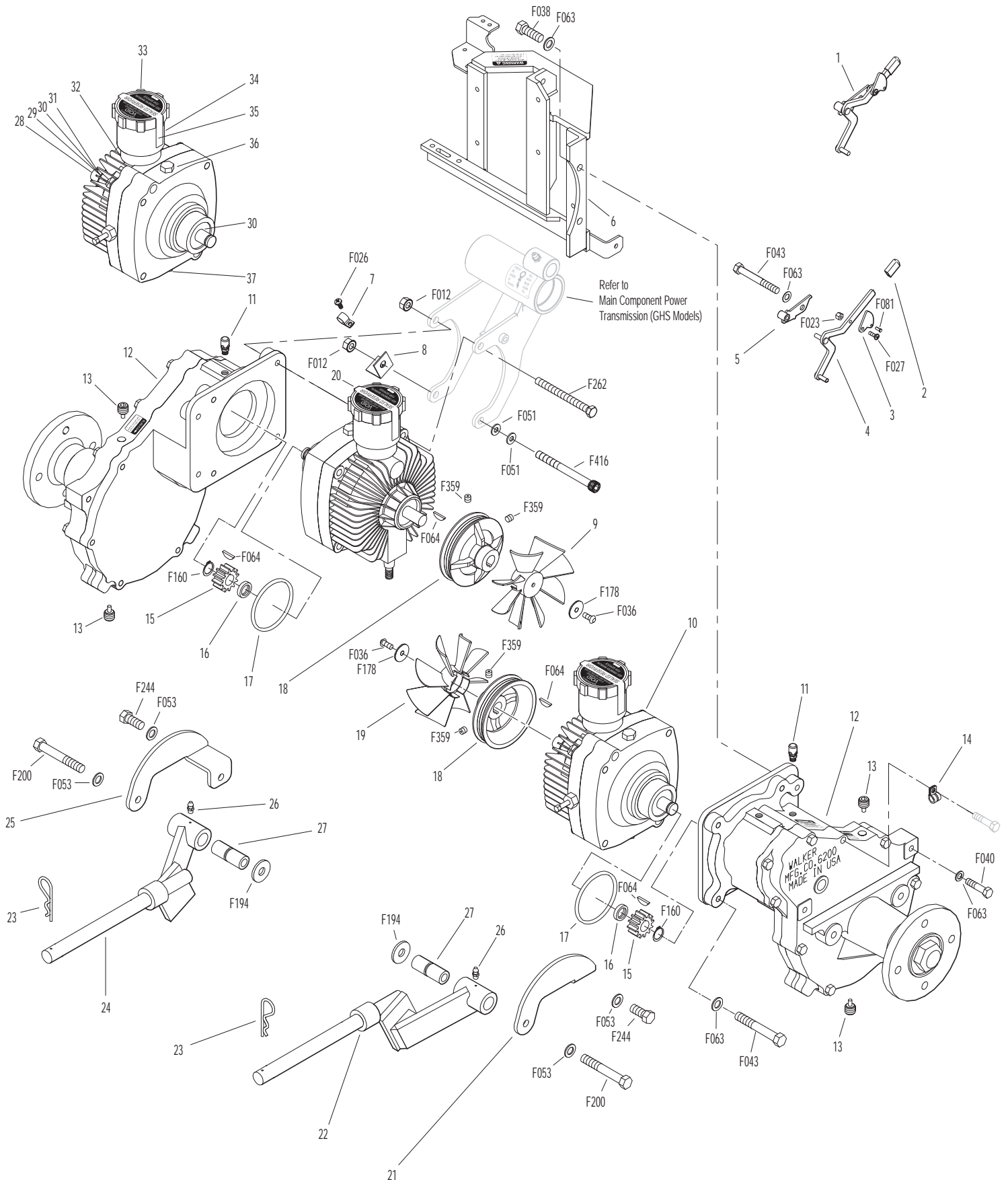
# RADIATOR GROUP



# HYDROSTATIC GROUND DRIVE ASSEMBLIES

ITEM NO.	PART NO.	DESCRIPTION	NO. REQ'D	ITEM NO.	PART NO.	DESCRIPTION	NO. REQ'D
<b>Transmission Lockout Assembly</b>				<b>Transmission Repair Parts</b>			
1	5028-3	Transmission Lockout Assembly (Includes Items # 2-5, F023, F027 & F081)	*	28	5025-5	Input Shaft	*
2	5847	Plastic Tip	2	29	5025-8	Bearing, Input Shaft	*
3	5057	Lockout Cam (Includes Item # F081)	2	30	5025-7	Snap Ring	*
4	5028-5	Lockout Lever	2	31	5025-2	Seal, Input Shaft	*
5	5027-5	Lockout Mount	1**	32	5022	Reservoir to Casting Gasket	*
<b>Ground Drive Assemblies</b>				33	5024	Reservoir Cap and Gasket	*
6	6209-1	Bridge Assembly	1	34	5023	Transmission Reservoir Kit	*
7	5832	Cable Clamp (1/2)	1	35	5023-1	Rubber Bladder	*
8	7394-7	Throttle Cable Mount Bracket	1	36	5025-6	O-Ring & Plug Assembly	*
9	6243-1	Hydro Fan, CW	1	37	5025-3	Seal, Control Shaft	*
10	5025	Hydrostatic Drive, CCW (700-042)	1	<b>Fasteners</b>			
11	6206-1	Air Vent Valve	*	F012		3/8-16 Keps Nut	2
12	6200-9	Gear Axle Drive Assembly (Includes Items # 11 & 13)	2	F023		10-24 ESNA Nut	2
13	6207-12	Pipe Plug (1/4 NPTF)	4	F026		10-24 x 1/2 PPHMS	1
14	5126	Cable Retainer (Uses existing bolt on Gear Axle Drive Assembly)	1	F027		10-24 x 5/8 PPHMS	2
15	6233-1	Pinion Gear	2	F036		1/4-20 x 1/2 SBH Screw	2
16	6234	Spacer, Pinion Gear	2	F038		3/8-16 x 1 Hex Bolt	4
17	6201	O-Ring Seal	2	F040		3/8-16 x 1-1/2 Hex Bolt	4
18	7244	Hydro Pulley (3-7/8/MV) (Includes Items # F064 & F359)	2	F043		3/8-16 x 3 Hex Bolt	7
19	6243-2	Hydro Fan, CCW	1	F051		3/8 SAE Washer	2
20	5026	Hydrostatic Drive, CW (700-041)	1	F053		7/16 Internal Star Lock Washer	4
<b>Deck Support Arm Assemblies</b>				F063		3/8 Internal Star Lock Washer	14
21	6430-10	Outboard Mount, LH	1	F064		1/8 x 1/2 Woodruff Key (#3)	4
22	6430-2	Deck Support Arm, LH (Includes Item # 26)	1	F081		A/A45D Aluminum Pop Rivet	2
23	5775-2	Hitch Pin (# 6)	2	F160		External Snap Ring (.669 Shaft)	2
24	6430-1	Deck Support Arm, RH (Includes Item # 26)	1	F178		1/4 x 1 Fender Washer	2
25	6430-9	Outboard Mount, RH	1	F194		7/16 x 1-1/4 x 1/8 Washer	2
26	5830	Grease Fitting	2	F200		7/16-20 x 3 Grade 8 Bolt	2
27	6840-1	Support Arm Bushing (2-1/16)	2	F244		7/16-20 x 3/4 Hex Bolt	2
				F262		3/8-16 x 4 Hex Bolt All Thread	1
				F359		5/16-18 x 5/16 Set Screw (Unbrako Knurl Point)	4
				F416		3/8-16 x 4 Socket Head Cap Screw	1
				* Service Part Only			
				** Part not used on Jackshaft side of tractor.			

# HYDROSTATIC GROUND DRIVE ASSEMBLIES



Effective Date 06-01-09

Use only genuine Walker® replacement parts.

# STEERING CONTROL ASSEMBLIES

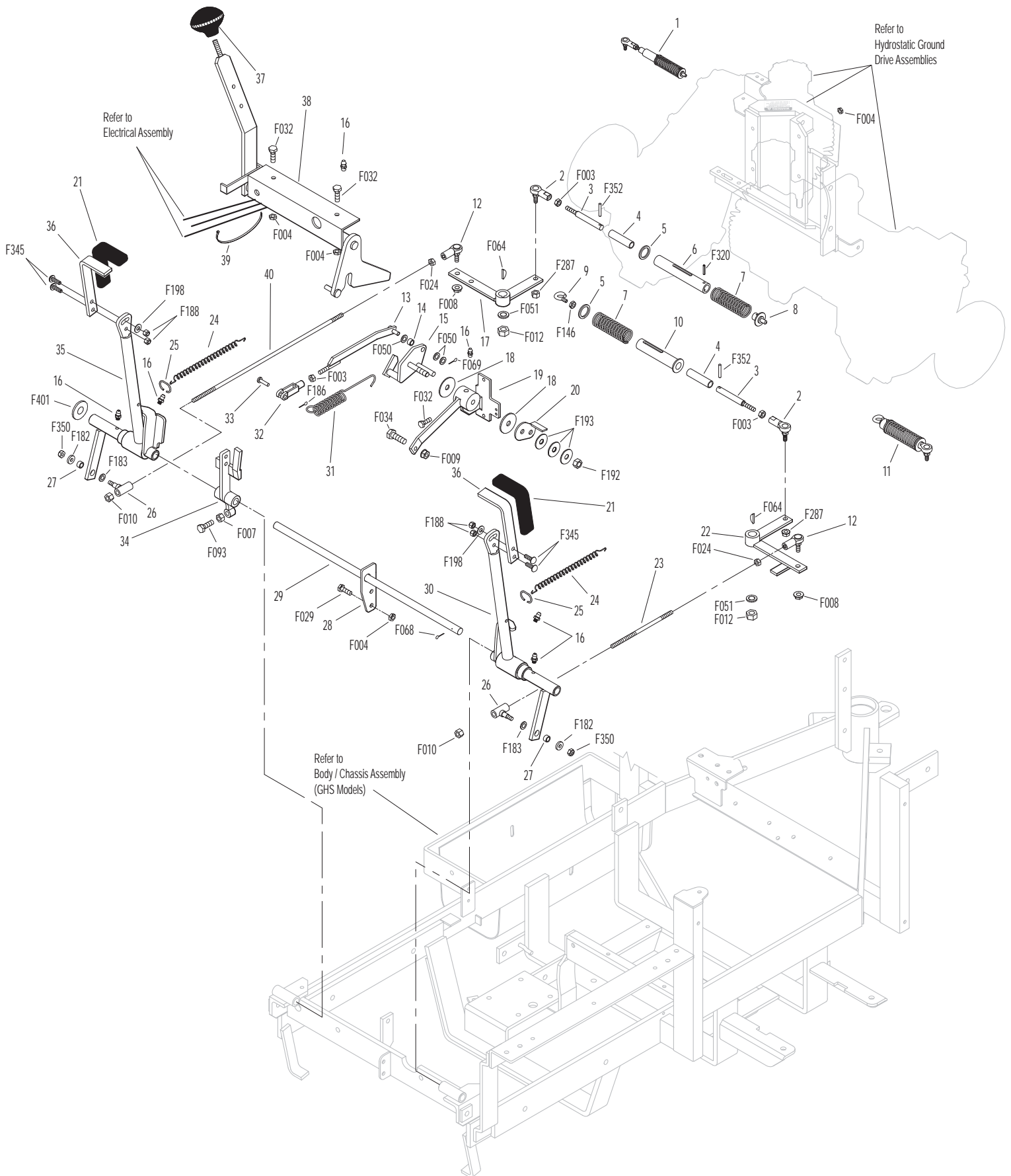
ITEM NO.	PART NO.	DESCRIPTION	NO. REQ'D	ITEM NO.	PART NO.	DESCRIPTION	NO. REQ'D
<b>Transmission Spring Assemblies</b>				35	5450-3	Steering Lever Assembly, RH / Adjustable (Includes Items # 16, 21, 36, F188, F198 & F345)	1
1	6199-10	Transmission Spring Assembly (RH) (Includes Items # 2-8, F003, F287, F320 & F352)	*		5450-5	Steering Lever Arm, RH / Adjustable	*
2	5552	Ball Joint (1/4-28)	2	36	5453-20	Steering Lever Handle (+1"), Adjustable (Includes Items # 21, F188, F198 & F345)	2
3	5192-1	Spring Plunger (Male)	2	37	5862	FSC Knob	1
4	5194	Plunger Sleeve	2	38	7170	FSC Lever Assembly (Includes Item # 16)	1
5	5193	Washer (3/4 x 1 x .085)	2	39	5975-3	Cable Tie (50# x 7")	1
6	6191	Spring Slide (4-3/4)	1	40	5213-1	Control Rod, RH (15")	1
7	5195-2	Compression Spring (1 x 6-3/8)	2	<b>Fasteners</b>			
8	6196	Spring Slide Cap	1		F003	1/4-28 Hex Nut	3
9	5197	J-Bolt	1		F004	1/4-20 Keps Nut	6
10	5191	Spring Slide (3-5/8)	1		F007	5/16-18 Jam Nut	1
11	5199-10	Transmission Spring Assembly (LH) (Includes Items # 2-5, 7, 9, 10, F003, F146, F287 & F352)	*		F008	5/16-24 Keps Nut	2
<b>Steering Lever &amp; FSC Assemblies</b>					F009	5/16-18 Whiz Locknut	1
12	5214-2	Ball Joint (5/16-24) Nylon Lined	2		F010	5/16-24 ESNA Nut	2
13	5173	FSC Actuator Rod	1		F012	3/8-16 Keps Nut	2
14	5172	Bearing, Nylon (.255 ID x .379 OD x .250)	1		F024	5/16-24 Jam Nut	2
15	5142-2	FSC Actuator Cam	1		F029	1/4-20 x 1/2 Hex Bolt	2
16	5830	Grease Fitting	6		F032	1/4-20 x 3/4 Hex Bolt	4
17	6212	Transmission Control Arm, RH	1		F034	5/16-18 x 3/4 Hex Bolt	1
18	5141	FSC Friction Washer (1-1/2 x 3/8 x 1/16)	2		F050	1/4 SAE Washer	3
19	5140-15	FSC Friction Body (Includes Item # 16)	1		F051	3/8 SAE Washer	2
20	5142-7	FSC Key W/Stop	1		F064	1/8 x 1/2 Woodruff Key (#3)	2
	5140-13	FSC Control Assembly (Includes Items # 15, 16, 18-20, F192 & F193)	*		F068	1/8 x 1 Cotter Pin	1
21	5850-2	Handle Grip, Foam (5-1/2)	2		F069	3/32 x 1/2 Cotter Pin	1
22	5212-2	Transmission Control Arm, LH	1		F093	5/16-18 x 1 Hex Bolt	1
23	5213-2	Control Rod, LH (6")	1		F146	1/4-20 Jam Nut	1
24	5223	Extension Spring (1/4 x 5-1/2)	2		F182	5/8 x 1/4 x 1/8 Washer	2
25	5450	D-Clip	2		F183	.312 x .700 x .074 Washer	2
26	5463	Steering Lever Actuator	2		F186	5/64 x 1/2 Cotter Pin	1
27	5214-1	Bearing (.320 x .438 x .250)	2		F188	1/4-20 Self-Locking Nut	4
28	5391-3	Steering Lever Support	1		F192	3/8-24 Self-Locking Nut	1
29	5217	Pivot Pin, Steering Lever	1		F193	3/8 Belleville Spring Washer	3
30	5451-3	Steering Lever Assembly, LH / Adjustable (Includes Items # 16, 21, 36, F188, F198 & F345)	1		F198	.250 x .625 x .040 Washer, SS	2
	5451-5	Steering Lever Arm, LH / Adjustable	*		F287	1/4-28 Keps Nut	2
31	5219	Extension Spring (3/4 x 6-3/4)	1		F320	1/8 x 3/4 Split Spring Pin	1
32	5280	Clevis (1/4")	1		F345	1/4-20 x .770 Knurled Bolt	4
33	5281-5	Clevis Pin (1/4 x 0.80)	1		F350	1/4-20 LP Nylock	2
34	5470-1	Speed Control Stop	1		F352	5/32 x 1 Heavy Duty Roll Pin	2
					F401	.504 x .751 x .030 Washer	1
				*	Service Part Only		

Use only genuine Walker® replacement parts.

Effective Date 06-01-09



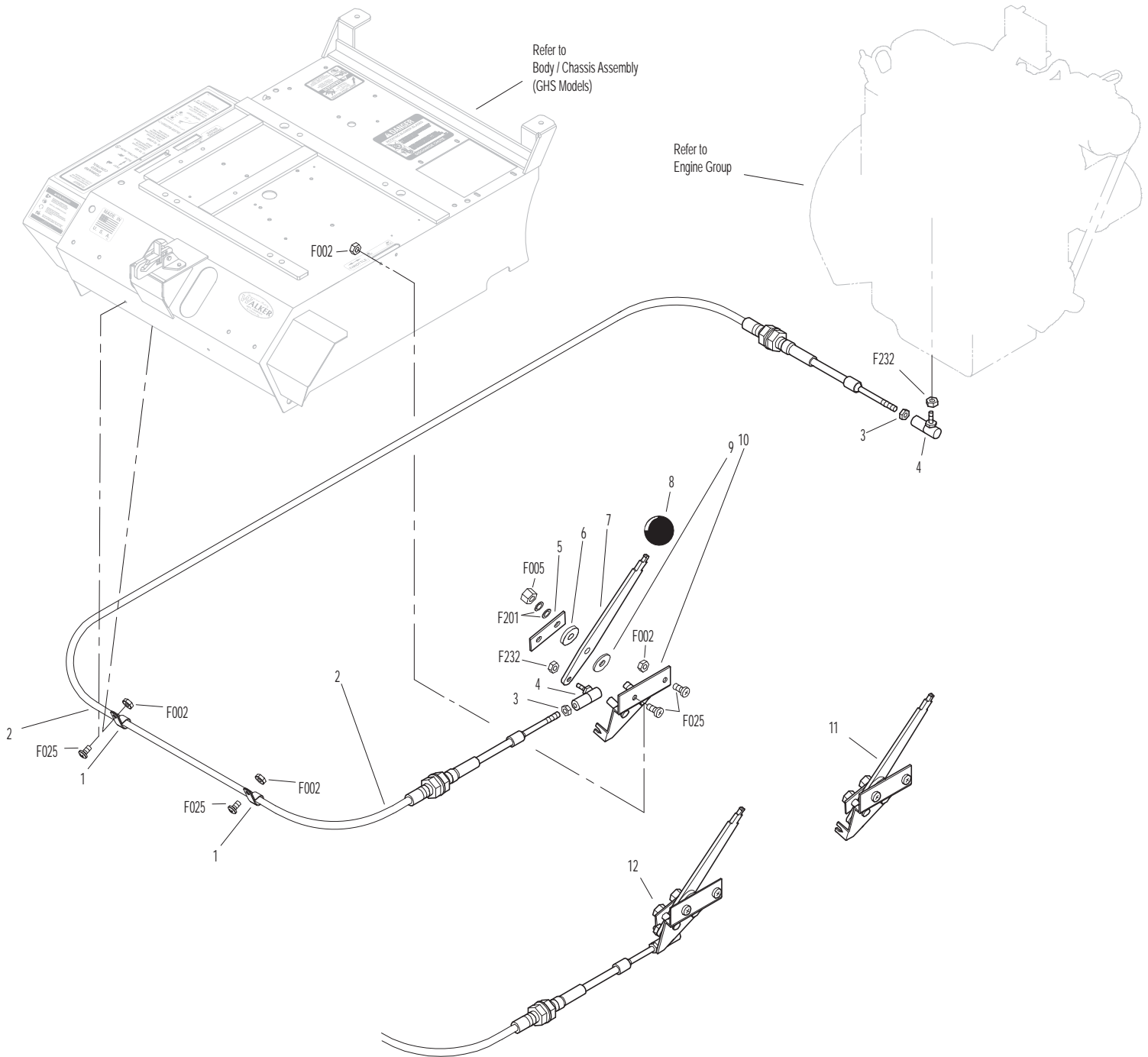
# STEERING CONTROL ASSEMBLIES



# THROTTLE CONTROL ASSEMBLIES

ITEM NO.	PART NO.	DESCRIPTION	NO. REQ'D	ITEM NO.	PART NO.	DESCRIPTION	NO. REQ'D
<b>Throttle &amp; Choke Control Assemblies</b>				<b>Fasteners</b>			
1	5833	Cable Clamp (1/4)	2		F002	10-24 Keps Nut	4
2	7220	Throttle Cable	1		F005	1/4-20 ESNA Nut	1
3	NS	10-32 Jam Nut	2		F025	10-24 x 3/8 PPHMS	4
4	5150	Ball Joint (10-32)	2		F201	1/4 Belleville Spring Washer	2
5	5108-7	Control Lock Tab	1		F232	10-32 Keps Nut	2
6	5108-10	Friction Washer (.125)	1				
7	5108-1	Control Lever, Throttle	1	*		Service Part Only	
8	5108-5	Throttle Control Knob, Red	1				
9	5108-11	Friction Washer (.062)	1				
10	5108-8	Control Bracket (Diesel)	1				
11	7108	Control Assembly (Includes Items # 5-7, 9, 10 & F201)	*				
12	7112	Throttle Control and Cable Assembly (Complete Control and Cable Assembly) (Includes Items # 2, 4, 8, 11 & F232)	*				
						<b>NOTE:</b> Decals for this assembly are not shown here. Refer to <b>TRACTOR DECALS</b> , Page 2 for Decal listing and placement information.	

# THROTTLE CONTROL ASSEMBLIES



# PARKING BRAKE ASSEMBLY

ITEM NO.	PART NO.	DESCRIPTION	NO. REQ'D	ITEM NO.	PART NO.	DESCRIPTION	NO. REQ'D
<b>Parking Brake Assembly</b>				<b>Fasteners</b>			
1	7406-1	Handle Grip, Red	1	F002		10-24 Keps Nut	2
2	7406-8	Parking Brake Lever (4-1/4)	1	F003		1/4-28 Hex Nut	1
3	7406-2	Lever Mount	1	F004		1/4-20 Keps Nut	4
4	5830	Grease Fitting	1	F025		10-24 x 3/8 PPHMS	2
5	7407	Clevis Pin (3/16 x 1/2)	2	F029		1/4-20 x 1/2 Hex Bolt	3
6	7404	Brake Actuator Arm	2	F032		1/4-20 x 3/4 Hex Bolt	1
7	7405	Pin, Transmission Lock	2	F054		AN960616 Washer	2
8	7402	Clevis	2	F072		1/4 "E" Retainer Ring	2
9	7408	Compression Spring (1/2 x 3/4)	2	F086		#10 SAE Washer	4
10	7415	Rubber Dust Shield (5/8 x 3/8 x 1/32)	2	F109		1/8 x 5/8 Roll Pin	2
11	5567-3	O-Ring Seal (1/4 x 3/8)	4	F111		1/8 x 3/4 Cotter Pin	1
12	7403	Plunger Bushing, Gear Axle	2	F112		5/8 x 1-1/4 x .03 Washer	2
13	7404-1	Brake Actuator Mount	2	F127		1/16 x 1/2 Cotter Pin	4
14	7412	Clevis Pin (3/16 x 5/8)	2	F261		AN960616L Washer	5
15	5833	Cable Clamp (1/4)	2	F287		1/4-28 Keps Nut	1
16	7410	Brake Control Cable, LH (25.5")	1				
17	7409	Brake Control Cable, RH (20.5")	1				
18	7401-3	Cable Mount Bracket	1				
19	7401-1	Cable Pull Rod	1				
20	5552	Ball Joint (1/4-28)	1				



# GHS GROUP

ITEM NO.	PART NO.	DESCRIPTION	NO. REQ'D
----------	----------	-------------	-----------

### Delivery Chute Assembly

When Optional 7.0 Bushel Catcher Assembly is purchased, Item # 6 is replaced by P/N 7511-1 (Delivery Chute Assembly, 7.0).

1	5515-2	Elbow Delivery Spout	1
2	5592-13	Backing Plate, Grass-Pak <sup>®</sup> Switch	1
3	5592-12	Mount Plate, Grass-Pak <sup>®</sup> Switch	1
4	5578	Rear Clip, Chute Mount	1
5	5577	Side Clip, Chute Mount	2
6	8511-1	Delivery Chute W/Clips / 10.0 (Includes Items # 4, 5, 7, F362 & F411)	1
	7511-1	Delivery Chute W/Clips / 7.0 (Includes Items # 4, 5, 7, F362 & F411)	*
7	5578-10	Front Clip, Chute Mount	1
8	7530-4	Body Chute (10.5 Blower)	1

### Blower Belt Tightener Assembly

9	7238-6	Blower Drive Pulley (Includes Items # F075, F114 & F231)	1
10	7234-2	Blower Belt (Micro-V)	1
11	7239-1	Blower Pulley (Micro-V) (Includes Items # F067, F075 & F114)	1
12	7364-2	Torsion Spring	1
13	7201-3	DU Bearing	2
14	5830-3	Grease Fitting (45 Deg.)	1
15	7364-1	Blower Belt Tightener Arm	1
16	7201-4	Inner Race (1-1/2)	1
17	5841	Retainer Washer (3/8 x 1-1/4)	1
18	5245	Idler Pulley (3")	1

### Blower Assembly

19	5268	Bearing W/Collar (3/4)	2
20	7542	Blower Assembly (10.5") (Includes Items # 19, 21-26, F004, F050, F131, F168, F246 & F414)	1
21	7542-2	Blower Back Plate (10.5)	1
22	7545-2	Blower Output Shaft (10.5)	1
23	7545	Blower Wheel (10.5")	1
24	7542-4	Blower Scroll (10.5)	1
25	7542-3	Blower Faceplate (10.5)	1
26	7526	Intake Tube (10.5 Blower)	**
27	5595-2	Intake Cover/GHS	1
28	7833	Cable Clamp (7/8 x 1/4)	1
29	7542-5	Blower Coupler Nut	1
30	7528-2	Skid Bar (10.5" Blower)	1

ITEM NO.	PART NO.	DESCRIPTION	NO. REQ'D
----------	----------	-------------	-----------

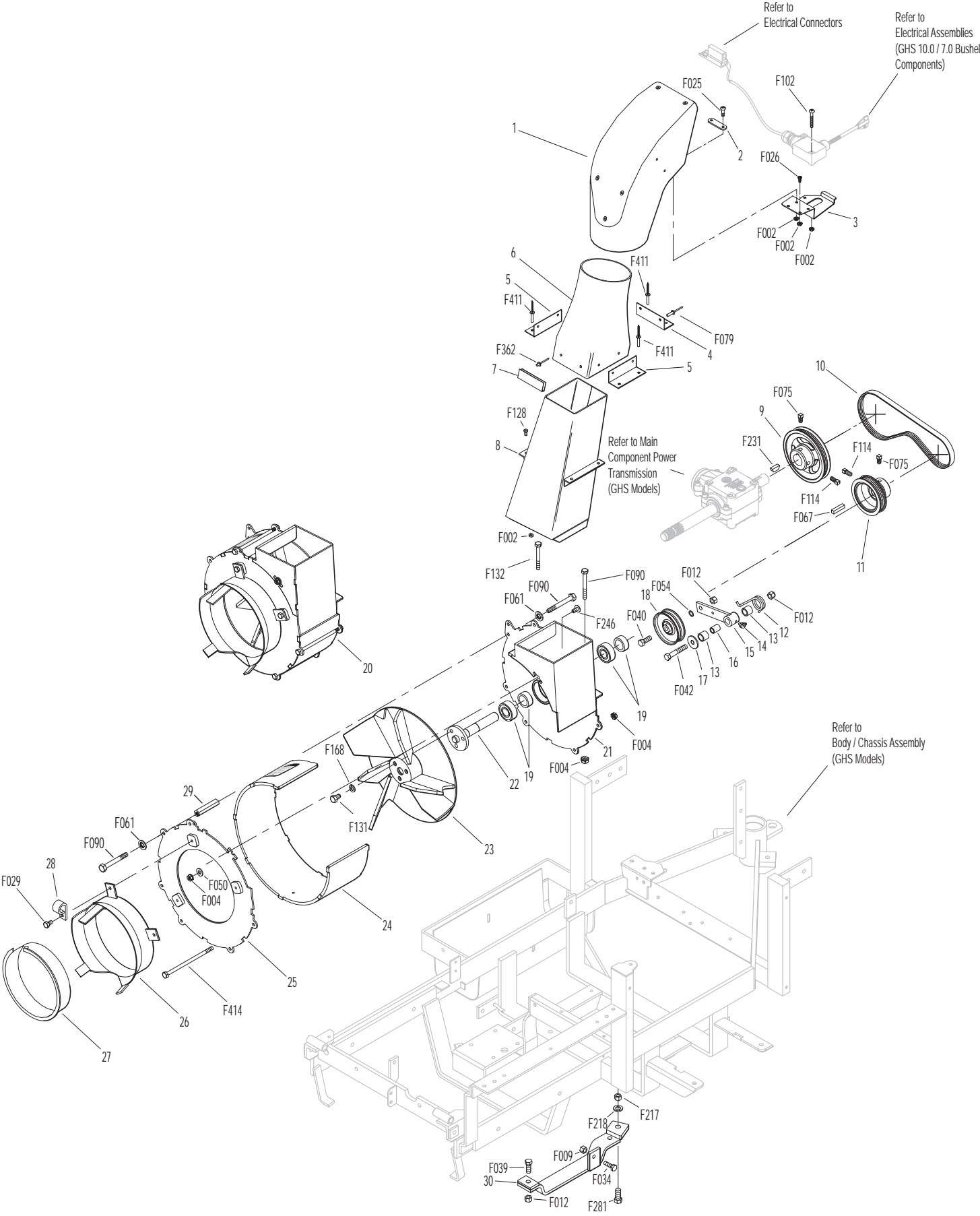
### Fasteners

F002	10-24 Keps Nut	8
F004	1/4-20 Keps Nut	8
F009	5/16-18 Whiz Locknut	1
F012	3/8-16 Keps Nut	3
F025	10-24 x 3/8 PPHMS	2
F026	10-24 x 1/2 PPHMS	2
F029	1/4-20 x 1/2 Hex Bolt	3
F034	5/16-18 x 3/4 Hex Bolt	1
F039	3/8-16 x 1-1/4 Hex Bolt	1
F040	3/8-16 x 1-1/2 Hex Bolt	1
F042	3/8-16 x 2-1/4 Hex Bolt	1
F050	1/4 SAE Washer	1
F054	AN960616 Washer	1
F061	1/4 Internal Star Lock Washer	2
F067	3/16 x 3/16 x 1 Key	1
F075	5/16-18 x 1/2 SQH Set Screw	2
F079	A/A66D Aluminum Pop Rivet	6
F090	1/4-20 x 2-1/2 Hex Bolt	3
F102	10-24 x 1-1/2 PTHMS	2
F114	5/16-18 x 5/8 SQH Set Screw	2
F128	10-24 x 3/8 PTHMS	4
F131	5/16-18 x 1/2 Hex Bolt	3
F132	1/4-20 x 2-3/4 Hex Bolt	1
F168	5/16 Split Lock Washer	3
F217	7/16-14 Hex Nut	1
F218	7/16 Split Lock Washer	1
F231	1/4 x 3/4 Woodruff Key (# 806)	1
F246	1/4-20 x 1/2 PTHMS	1
F281	7/16-14 x 1-3/4 Hex Bolt	1
F362	A/A62D Alum. Pop Rivet (3/16D x 13/32L)	2
F411	3/16 Bulbex Rivet	6
F414	1/4-20 x 5-1/8 Grade 5 Hex Bolt	5

\* Service Part Only

\*\* Plugs Blower when GHS is not in use. Furnished only with Mulching Decks, SD Decks used on a GHS Tractor, Rotary Broom Attachment and Snowblower Attachment.

**NOTE:** Refer to **ELECTRICAL CONNECTORS**, Page 42 for identification of all Electrical Wiring Service Parts.



Effective Date 06-01-09

Use only genuine Walker® replacement parts.

# GHS POWERFIL® ASSEMBLIES (10.0 / 7.0)

ITEM NO.	PART NO.	DESCRIPTION	NO. REQ'D	ITEM NO.	PART NO.	DESCRIPTION	NO. REQ'D
<b>10.0 GHS Powerfil® Assembly</b>				<b>Fasteners</b>			
1	5551-3	Bearing Cap, Powerfil®	1	F002		10-24 Keps Nut	10
2	5551-1	Pivot Bearing (#S3PP)	2	F003		1/4-28 Hex Nut	3
3	5518-2	Pivot, Delivery Spout	1	F025		10-24 x 3/8 PPHMS	1**
4	5517-2	Pivot Mount	1	F026		10-24 x 1/2 PPHMS	1***
5	5552	Ball Joint (1/4-28)	2	F037		10-24 x 5/8 PTH Screw	1
6	5558-1	Powerfil® Push Rod	1	F054		AN960616 Washer	1
7	5553-3	Bushing, Powerfil® Actuator	4	F085		3/16 Rivet Backup Washer	1
8	5553-1	Compression Spring (1/2 x 2)	2	F101		10-24 x 1-1/4 SHC Screw	1
9	5558-2	Powerfil® Actuator Rod	1	F109		1/8 x 5/8 Roll Pin	1
	5549	Actuator Rod Assembly (Includes Items # 5-9 & F003)	*	F129		10-24 x 1/2 PTHMS	7
10	5519-3	Motor Mount Nut (5/8-24)	*	F261		AN960616L Washer	1
11	5554	Actuator Arm	1	F287		1/4-28 Keps Nut	1
12	5519-2	Motor Mount Washer	*				
13	5976-2	Grommet (3/16 x 3/4)	1				
14	5519	Actuator Motor (12/24V) (Includes Items # 10 & 12)	1				
<b>7.0 GHS Powerfil® Assembly</b>							
1	5551-3	Bearing Cap, Powerfil®	1				
2	5551-1	Pivot Bearing (#S3PP)	2				
3	5518-2	Pivot, Delivery Spout	1				
4	5517-2	Pivot Mount	1				
5	5552	Ball Joint (1/4-28)	2				
6	5558-1	Powerfil® Push Rod	1				
7	5553-3	Bushing, Powerfil® Actuator	4				
8	5553-1	Compression Spring (1/2 x 2)	2				
9	5558-2	Powerfil® Actuator Rod	1				
	5549	Actuator Rod Assembly (Includes Items # 5-9 & F003)	*				
10	5519-3	Motor Mount Nut (5/8-24)	*				
11	5554	Actuator Arm	1				
12	5519-2	Motor Mount Washer	*				
14	5519	Actuator Motor (12/24V) (Includes Items # 10 & 12)	1				
15	5977	Grommet (1/2 x 7/8 x 1/16)	1				
16	5557	Motor Mount, Powerfil®	1				

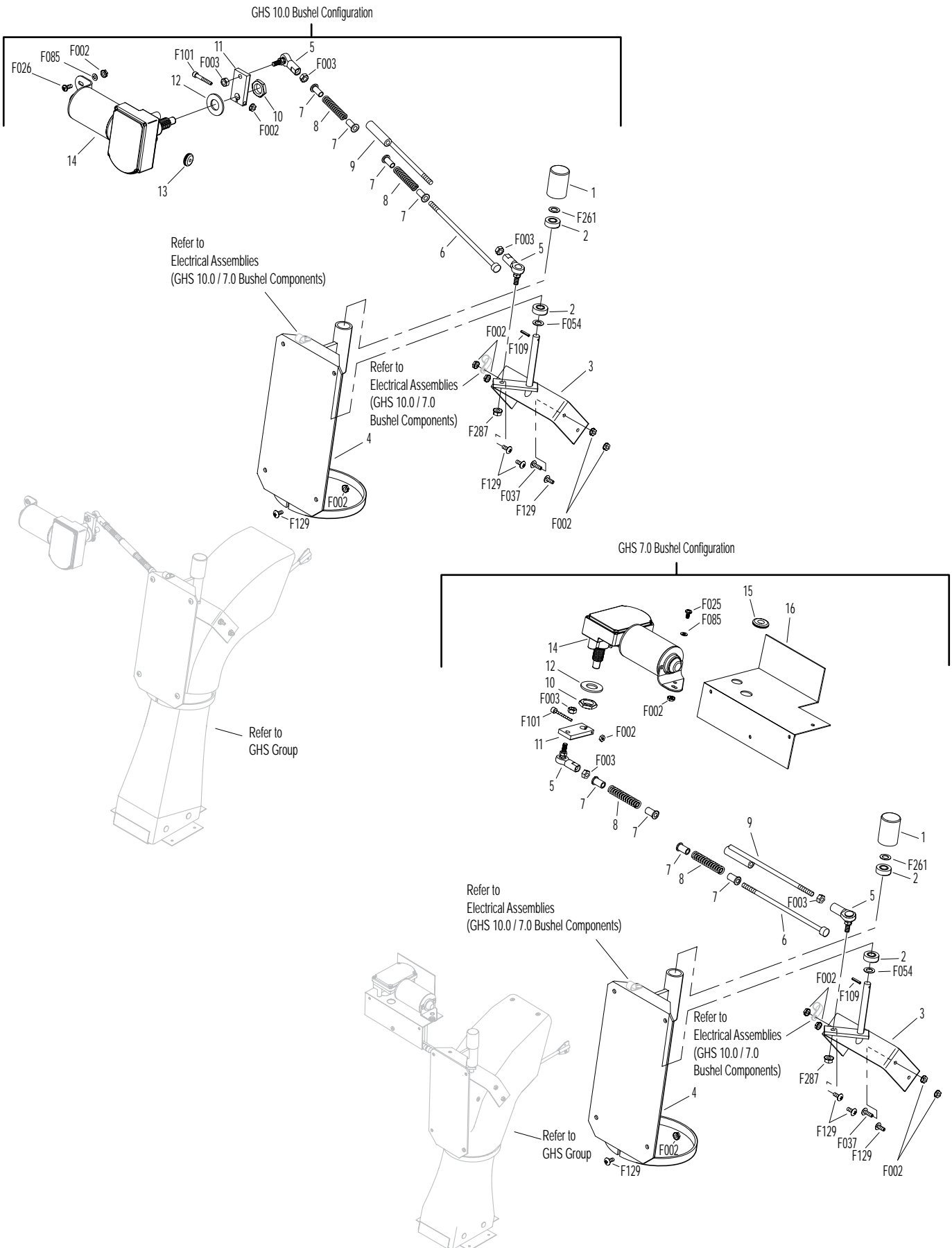
\* Service Part Only

\*\* Item used on 7.0 models only

\*\*\* Item used on 10.0 models only



# GHS POWERFIL® ASSEMBLIES (10.0 / 7.0)



Effective Date 06-01-09

Use only genuine Walker® replacement parts.

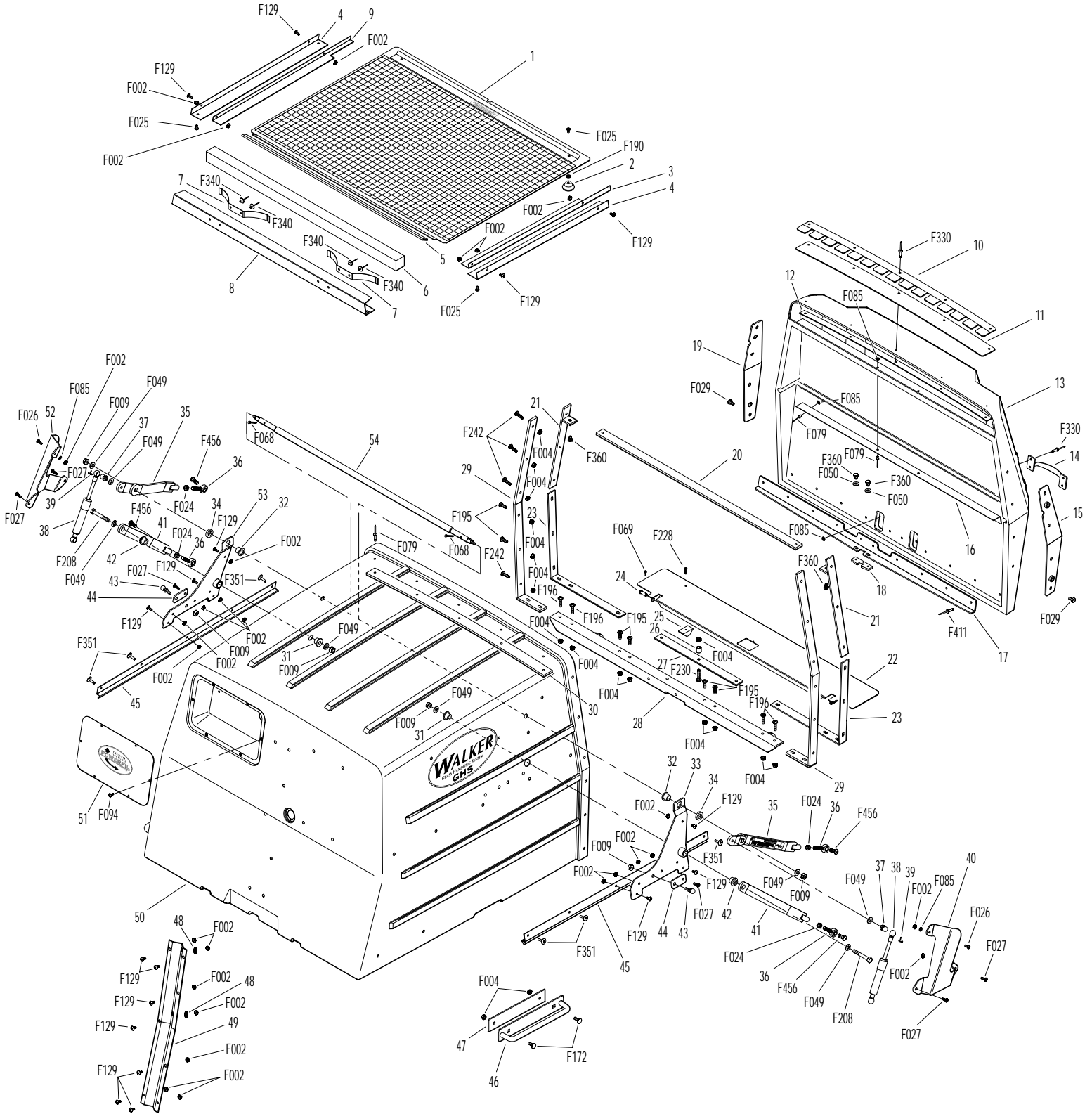
# GHS 10.0 BUSHEL CATCHER ASSEMBLY

ITEM NO.	PART NO.	DESCRIPTION	NO. REQ'D	ITEM NO.	PART NO.	DESCRIPTION	NO. REQ'D
<b>Upper Baffle Screen Assembly (Removable)</b>				45	8608-10	Box Support, Gas Spring	2
1	7512-2	Removable Screen (3/16 Hole) (Includes Items # 2, 5, F025 & F190)	1**	46	7532	Handle, Catcher Lift	2
2	7506	Knob/Threaded Insert (10-24)	2	47	7533	Backing Plate, Handle	2
3	8606-3	Channel Top, LH	1	48	5976	Grommet (3/8 x 11/16)	2
4	8606-2	Channel Bottom	2	49	8117	Wire Harness Channel	1
5	7856-1	Edge Molding (26")	1	50	8602-1	10.0 Catcher W/O Powerfil® (Includes Door) *	*
6	7507	Screen Seal (27-1/2)	1		8602-2	10.0 Catcher W/Powerfil® (Includes Door) *	*
7	7505	Mustache Spring	2		8610-2	10.0 Bushel Catcher Box	*
8	8606	C-Channel With Spring (10.0) (Includes Items # 7 & F340)	1	51	8607-9	Powerfil® Cover Plate	1
9	8606-4	Channel Top, RH	1	52	8155-2	Gas Spring Cover, RH	1
<b>10.0 Exhaust Deflector Door Assembly</b>				53	8608-8	Hinge Plate, RH	1
10	8607-6	Upper Seal Support	1	54	8608-9	Torsion Bar	1
11	8607-5	Upper Door Seal	1	<b>5598 Optional Dump Bag (Not Shown)</b>			
12	8607-11	Backup Plate	1	May be ordered as an option. Contact your Walker dealer.			
13	8512-3	10.0 Catcher Box Door (Includes Items # 10-14, F085, F330 & F411)	1	<b>Fasteners</b>			
14	5583	Handle	1	F002	10-24 Keps Nut		27
15	8607-1	Door Mount, LH	1	F004	1/4-20 Keps Nut		25
16	8607-12	Upper Door Stiffener	1	F009	5/16-18 Whiz Locknut		6
17	8607-7	Lower Door Stiffener	1	F024	5/16-24 Jam Nut		4
18	8607-8	Door Guide	1	F025	10-24 x 3/8 PPHMS		4
19	8607-2	Door Mount, RH	1	F026	10-24 x 1/2 PPHMS		2
<b>GHS 10.0 Bushel Catcher Assembly</b>				F027	10-24 x 5/8 PPHMS		6
20	8608-5	Center Strap	1	F029	1/4-20 x 1/2 Hex Bolt		8
21	8608-3	Upper Frame Doubler	2	F049	5/16 SAE Washer		8
22	8610	Catcher Dump Plate	1	F050	1/4 SAE Washer		2
23	8608-2	Lower Frame Doubler	2	F068	1/8 x 1 Cotter Pin		2
24	5281-5	Clevis Pin (1/4 x 0.80)	2	F069	3/32 x 1/2 Cotter Pin		2
25	7610-1	Dump Plate Slide	2	F079	A/A66D Aluminum Pop Rivet		14
26	8608-11	Catcher Door Finger	1	F085	3/16 Rivet Backup Washer		13
27	8608-4	Center Frame Doubler	1	F094	8-32 x 1/2 PTHMS		6
28	8608-6	Catcher Mount	1	F129	10-24 x 1/2 PTHMS		17
29	8608-1	Outside Box Strap	2	F172	1/4-20 x 3/4 Carriage Bolt		4
30	7584	Reinforcing Strap	1	F190	#10 Internal Star Lock Washer		2
31	5103-5	Pivot Bushing Inner	2	F195	1/4-20 x 3/4 PPHMS, SS		8
32	7620-3	Pivot Bushing (1/2 x 9/16)	2	F196	1/4-20 x 1 PPHMS, SS		4
33	8608-7	Hinge Plate, LH	1	F208	5/16-18 x 2-1/4 Hex Bolt		2
34	5103-7	Outside Torsion Bushing	2	F228	#6 x 5/8 PPHSMS, SS		2
35	8607-4	Upper Arm	2	F230	1/4-20 x 1-1/4 PPHMS, SS		1
36	5214-12	Ball Joint (5/16-24)	4	F242	1/4-20 x 7/8 PPHMS, SS		8
37	5155-12	5/16 Ball Stud	2	F330	3/16D x 21/32L Rivet, SS		9
38	5155-4	Gas Spring	2	F340	Rivet, Aluminum		4
39	5147	Spring Clip	4	F351	Aluminum Pop Rivet		6
40	8155-1	Gas Spring Cover, LH	1	F360	1/4-20 x 3/8 Hex Bolt		4
41	8607-3	Lower Arm	2	F411	3/16 Bulbex Rivet		10
42	5103-6	Pivot Bushing Outer	2	F456	5/16-18 x 3/4 SBH Cap Screw, SS		4
43	5155-13	3/4 Ball Stud	2	* Service Part Only			
44	5523-6	Gas Spring Plate	2	** This screen can be replaced by P/N 7512-3 Removable Screen (3/4" holes) for improved air flow performance in wet conditions.			

Use only genuine Walker® replacement parts.

Effective Date 06-01-09

# GHS 10.0 BUSHEL CATCHER ASSEMBLY



Effective Date 06-01-09

Use only genuine Walker® replacement parts.

# GHS 7.0 BUSHEL CATCHER & EXHAUST DEFLECTOR ASSEMBLIES

ITEM NO.	PART NO.	DESCRIPTION	NO. REQ'D
----------	----------	-------------	-----------

### Upper Baffle Screen Assembly (Removable)

1	7509-3	Channel Bottom	2
2	7505	Mustache Spring	2
3	7507	Screen Seal (27-1/2)	1
4	7856-1	Edge Molding (26")	1
5	7509-2	Channel Top	2
6	7512-2	Removable Screen (3/16 Holes) (Includes Items # 7, F025 & F190)	1**
7	7506	Knob/Threaded Insert (10-24)	2
8	7509-4	C-Channel	1

### Exhaust Deflector Assembly

9	7504-3	Hinge (27")	1
10	7504-1	Exhaust Deflector (Two Piece Set)	1
	7504	Exhaust Deflector Kit	*
11	7504-8	Deflector Mount Doubler	2

### GHS 7.0 Bushel Catcher Assembly

May be ordered as a factory-installed option. Contact your Walker dealer.

12	7503	Mounting Frame (7.0) (Includes Item # 23)	1
13	7510-1	7.0 Bushel Catcher, Including Door	1
	7502-1	7.0 Catcher (Without Powerfil®) (Includes Door & Deflector)	*
	7502-2	7.0 Catcher (With Powerfil®) (Includes Door & Deflector)	*
14	7514-1	Backup Plate	1
15	5583	Handle	1
16	5588	Rubber Bumper (.75 x .50)	2
17	7522	Side Strap, Door (7.0)	2
18	7513-2	7.0 Mounting Frame Doubler	1
19	7512-10	Deflector Seal	1
20	5281-5	Clevis Pin (1/4 x 0.80)	2
21	7584	Reinforcing Strap	2
22	5522-1	Hinge Backup Plate, LH	1
23	7503-9	Pivot Bushing (5/16 x 5/8)	2
24	7514-10	7.0 Door Frame, Catcher	1
25	5155-12	5/16 Ball Stud	2
26	5147	Spring Clip	4
27	5155-2	Gas Spring Cover	2
28	5155	Gas Spring Assembly / Catcher Door (Includes Items # 25, 26, 30 & F049)	2
29	5524-1	Flanged Hinge Bearing	2
30	5155-13	3/4 Ball Stud	2
31	5523-6	Gas Spring Plate	2

ITEM NO.	PART NO.	DESCRIPTION	NO. REQ'D
----------	----------	-------------	-----------

32	7532	Handle, Catcher Lift	2
	7534	Catcher Handle Kit (Includes Items # 32, 33, F004 & F172)	*
33	7533	Backing Plate, Handle	2
34	5155-15	Box Support, Gas Spring	2
35	7557-10	7.0 Wire Harness Channel	1
36	5976	Grommet (3/8 x 11/16)	1
37	5976-2	Grommet (3/16 x 3/4)	1
38	5522-2	Hinge Backup Plate, RH	1
39	7508	Safety Latch Kit (7.0/9.5)	1

### 5598 Optional Dump Bag (Not Shown)

May be ordered as an option. Contact your Walker dealer. Not used with Power Dump Option.

### Fasteners

F002	10-24 Keps Nut	26
F004	1/4-20 Keps Nut	18
F009	5/16-18 Whiz Locknut	2
F020	5/16-18 ESNA Nut	2
F025	10-24 x 3/8 PPHMS	4
F026	10-24 x 1/2 PPHMS	8
F027	10-24 x 5/8 PPHMS	4
F035	5/16-18 x 1-1/4 Hex Bolt	1
F037	10-24 x 5/8 PTH Screw	6
F049	5/16 SAE Washer	4
F069	3/32 x 1/2 Cotter Pin	2
F079	A/A66D Aluminum Pop Rivet	*
F085	3/16 Rivet Backup Washer	*
F129	10-24 x 1/2 PTHMS	8
F172	1/4-20 x 3/4 Carriage Bolt	4
F188	1/4-20 Self-Locking Nut	11
F190	#10 Internal Star Lock Washer	2
F195	1/4-20 x 3/4 PPHMS, SS	14
F196	1/4-20 x 1 PPHMS, SS	4
F198	.250 x .625 x .040 Washer, SS	8
F230	1/4-20 x 1-1/4 PPHMS, SS	1
F242	1/4-20 x 7/8 PPHMS, SS	9
F252	10-24 x 3/4 PPHMS	1
F255	5/16-18 x 1-1/2 Hex Bolt	1
F329	.200 ID x 1.939 OD Washer	2
F330	3/16 D x 21/32 L Rivet, SS	2
F340	Rivet, Aluminum	4
F351	Aluminum Pop Rivet	6

\* Service Part Only

\*\* This screen can be replaced by P/N 7512-3 Removable Screen (3/4" hole) for improved air flow performance in wet conditions.

Use only genuine Walker® replacement parts.

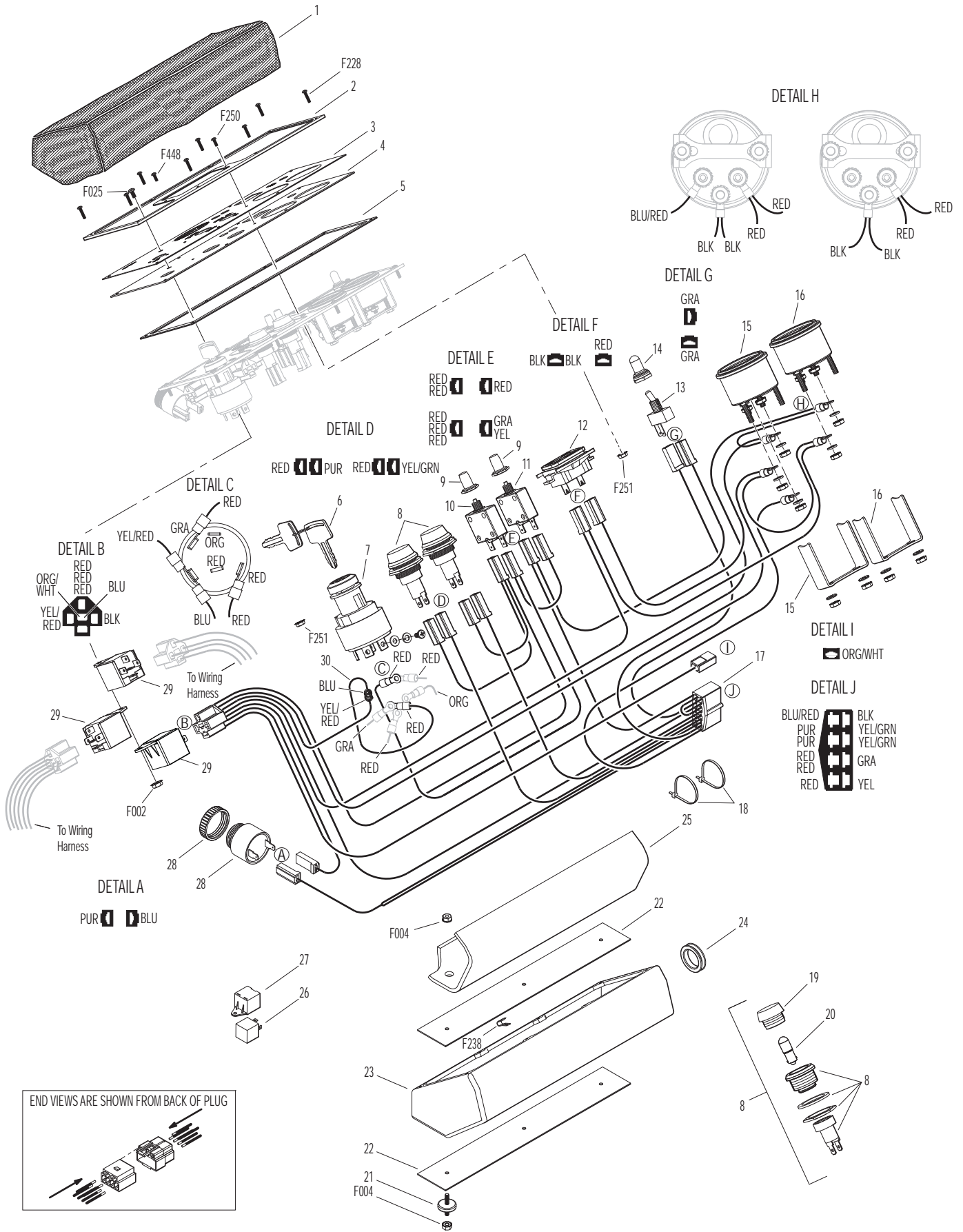
Effective Date 06-01-09



# INSTRUMENT PANEL ASSEMBLY

ITEM NO.	PART NO.	DESCRIPTION	NO. REQ'D	ITEM NO.	PART NO.	DESCRIPTION	NO. REQ'D
<b>Instrument Panel Assembly</b>				21	7307-1	Shock Mount (1.0 x .25)	3
1	7307-2	Instrument Panel Cover (Optional)	**	22	7391	Panel Box Mount Plate	2
	7396-1	Instrument Panel Assembly (Includes Items #2-5, 7-17, 28-30, F228, F250 & F251)	1	23	7385-1	Panel Box W/Graphic	1
2	7307	Panel Frame	1	24	7977-1	Grommet (1/8 x 1-1/16)	1
3	7823-4	Decal, Instrument Panel	1	25	7307-16	Lining, Panel Box (1/8)	1
4	7307-6	Panel Faceplate	1	26	6941-6	Relay Switch 30/40AMP	*
5	7386	Panel Gasket	1	27	6941-7	Relay Mount	*
6	7960-6	Ignition Key (1 Set)	*	28	8536	Warning Horn	1
7	7960-5	Ignition Switch (with Keys) (Includes Item # 6)	1	29	6942	Relay Switch (30/40 Amp) NC (Includes Items # 26 & 27)	3
8	8996-2	Red Indicator Light Assembly (Includes Items # 19 & 20)	2	30	7947-8	Jumper Wire	1
9	7941-3	Boot, Circuit Breaker	2	<b>Fasteners</b>			
10	7941-5	Circuit Breaker (7 Amp)	1	F002	10-24 Keps Nut		1
11	7941-2	Circuit Breaker (10 Amp)	1	F004	1/4-20 Keps Nut		6
12	8990-1	Hourmeter (SenDec)	1	F025	10-24 x 3/8 PPHMS		1
13	5995	Toggle Switch (Off-On)	1	F228	#6 x 5/8 PPHSMS, SS		8
14	5995-2	Switch Boot	1	F238	J Clip, Instrument Panel C15520-6A		8
15	7306-14	Water Temperature Gauge	1	F250	6-32 x 1/2 PPHMS		1
16	8997	Voltmeter Gauge	1	F251	6-32 Keps Nut		2
17	7947-3	Wire Harness, Instrument Panel	1	F448	6-32 x 5/16 PPHMS		1
18	5975-1	Cable Tie (18# x 3-3/4")	2	* Service Part Only			
19	8996-4	Red Indicator Lens	2	** May be ordered as an option. Contact your Walker dealer.			
20	8996-3	Indicator Bulb (Replacement for P/N 8996-2)	*	<b>NOTE:</b> Refer to <b>ELECTRICAL CONNECTORS</b> , Page 42 for identification of all Electrical Wiring Service Parts.			

# INSTRUMENT PANEL ASSEMBLY



END VIEWS ARE SHOWN FROM BACK OF PLUG

Effective Date 06-01-09

Use only genuine Walker® replacement parts.

# ELECTRICAL ASSEMBLY

ITEM NO.	PART NO.	DESCRIPTION	NO. REQ'D
----------	----------	-------------	-----------

## Battery Assembly

1	5975-1	Cable Tie (18# x 3-3/4")	6
2	5933	Battery Terminal Insul., Red (+)	1
3	5844	Battery Hold-Down Bar	1
4	5839	Hook Bolt	2
5	6392	Battery Protector Plate	1
6	7390-1	Battery Pan	1
7	7910	Battery (12V/340CCA/Dry)	1
8	5932	Battery Terminal Insul., Black (-)	1
9	6923	Battery Cable (-)	1

## Harness Assembly

10	5975-3	Cable Tie (50# x 7")	3
11	5833	Cable Clamp (1/4)	1
12	5942-4	PTO Safety Switch (NO)	1
13	7940-9	Wire Harness	1
14	5832	Cable Clamp (1/2)	4
15	8950	Wire Harness (9.5/10.0)	1*
	7944	Wire Harness (7.0)	1*
16	7938	Lead Wire (Battery Charge)	1
17	7306-10	Switch (235 Deg., 1/4-18 NPT)	1
18	7306-11	Switch (205 Deg., 3/8-18 NPT)	1
19	6942	Relay Switch 30/40 Amp (NC) (Includes Items # 25 & 26)	2
20	7433	Resistor, Ceramic / .4 OHM	1
21	7833	Cable Clamp (7/8 x 1/4)	2
22	7948-2	Time Delay Harness	1
23	7948-1	Time Delay Module	1
24	7428-2	Fan Control Module W/P Plug	1
25	6941-7	Relay Mount	**
26	6941-6	Relay Switch 30/40AMP	**
27	5942-5	Safety Switch (NO)	1
28	6103-19	Adapter Harness	1
29	7834-2	Wire Saddle (2 Wires)	3
30	7943	Battery Cable (+)	1
31	7941	Circuit Breaker (40 Amp) (Auto Reset/Sealed)	1
32	7857-10	Breaker, Mount Bracket	1
33	8941	Circuit Breaker (30 Amp) (Auto Reset/Sealed)	1
34	7940-5	Circuit Breaker Jumper	1

ITEM NO.	PART NO.	DESCRIPTION	NO. REQ'D
----------	----------	-------------	-----------

## Fasteners

F002	10-24 Keps Nut	10
F004	1/4-20 Keps Nut	6
F009	5/16-18 Whiz Locknut	1
F019	1/4-20 ESNA Wing Nut	2
F025	10-24 x 3/8 PPHMS	3
F026	10-24 x 1/2 PPHMS	4
F027	10-24 x 5/8 PPHMS	2
F031	1/4-20 x 5/8 Hex Bolt	2
F032	1/4-20 x 3/4 Hex Bolt	2
F050	1/4 SAE Washer	5
F061	1/4 Internal Star Lock Washer	2
F079	A/A66D Aluminum Pop Rivet	7
F085	3/16 Rivet Backup Washer	1
F090	1/4-20 x 2-1/2 Hex Bolt	1
F093	5/16-18 x 1 Hex Bolt	1
F116	1/4-20 x 1-1/4 Hex Bolt	1
F129	10-24 x 1/2 PTHMS	1
F182	5/8 x 1/4 x 1/8 Washer	1
F188	1/4-20 Self Locking Nut	1
F232	10-32 Keps Nut	4

\* Used on GHS Models with 10.0 Bushel Catcher only. When Optional GHS 7.0 Bushel Catcher is purchased, this part is replaced by P/N 7944 (7.0 Catcher Wire Harness). Refer to Optional **GHS 7.0 BUSHEL CATCHER & EXHAUST DEFLECTOR ASSEMBLIES**, Page 34.

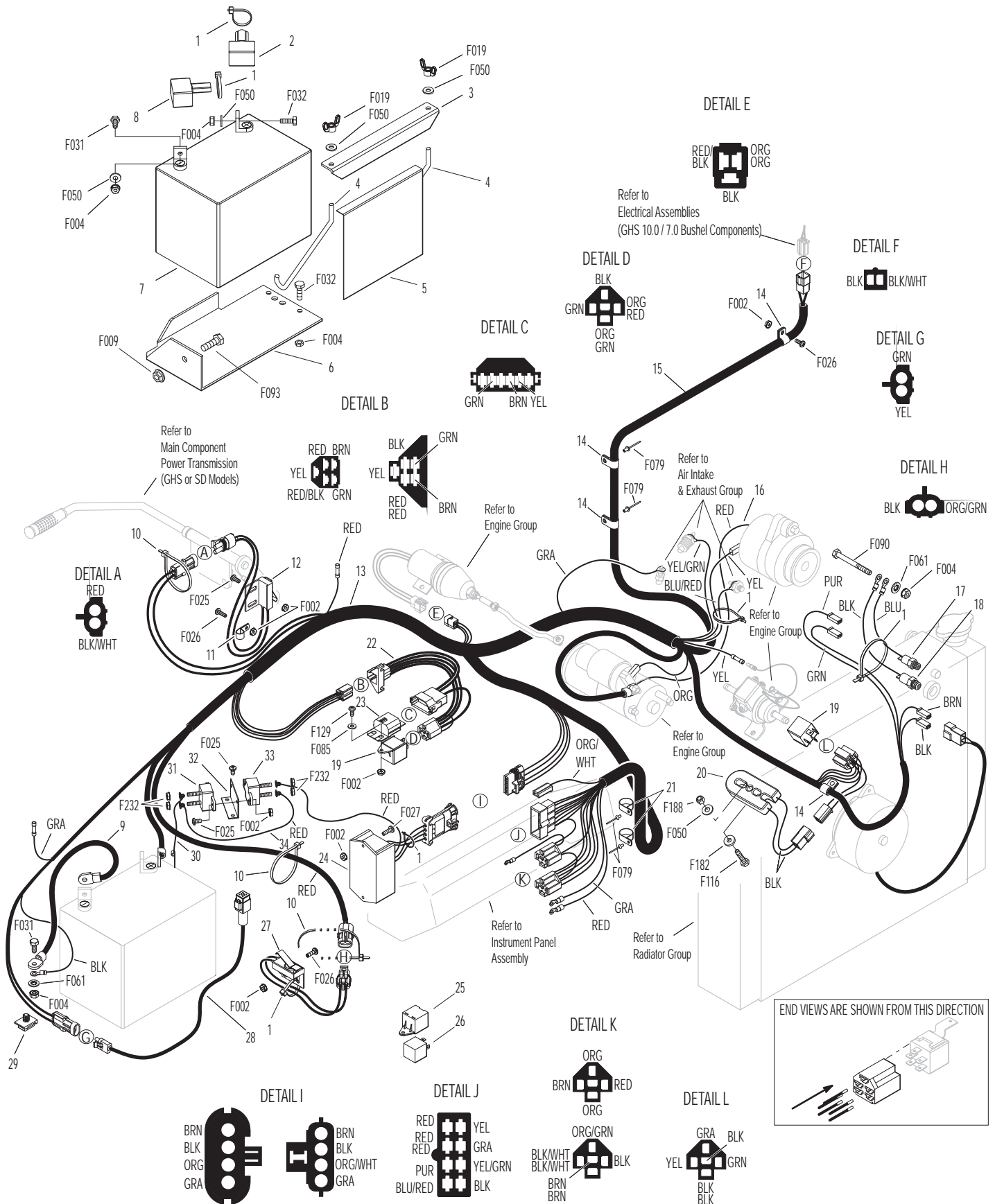
\*\* Service Part Only

**NOTE:** Refer to **ELECTRICAL CONNECTORS**, Page 42 for identification of all Electrical Wiring Service Parts.

**NOTE:** Decals for this assembly are not shown here. Refer to **TRACTOR DECALS**, Page 2 for Decal listing and placement information.



# ELECTRICAL ASSEMBLY



Effective Date 06-01-09

Use only genuine Walker® replacement parts.

# ELECTRICAL ASSEMBLIES (GHS 10.0 / 7.0 BUSHEL COMPONENTS)

ITEM NO.	PART NO.	DESCRIPTION	NO. REQ'D
----------	----------	-------------	-----------

## 10.0 Harness Components

1	8950-3	Powerfil® Ground Wire, 10.0	1
2	8950-2	Powerfil® Power Wire, 10.0	1
3	7835	Frame Clip (3/16)	6
4	5975-3	Cable Tie (50# x 7")	2
5	5536-2	Horn, Full Signal	*
6	8950	9.5/10.0 Wire Harness	1
7	5977-2	Grommet, Cut (1/8 x 3/8)	1

## 7.0 Harness Components

3	7835	Frame Clip (3/16)	6
4	5975-3	Cable Tie (50# x 7")	2
5	5536-2	Horn, Full Signal	*
7	5977-2	Grommet, Cut (1/8 x 3/8)	1
8	7944	7.0 Wire Harness	1

## Grass-Pak® Switch Assemblies\*\*

9	5833	Cable Clamp (1/4)	2
10	5980-3	Wire, Grass-Pak® Switch	1
11	5592-11	Liquid Tight Plug	1
12	5592-10	Grass-Pak® Switch Module	1
	5592-4	Grass-Pak® Switch Assembly (Includes Items # 10-13, F144 & F145)	*
13	5594-5	Vane Assembly, Grass-Pak® Switch (Includes Items # F144 & F145)	1

ITEM NO.	PART NO.	DESCRIPTION	NO. REQ'D
----------	----------	-------------	-----------

## Fasteners

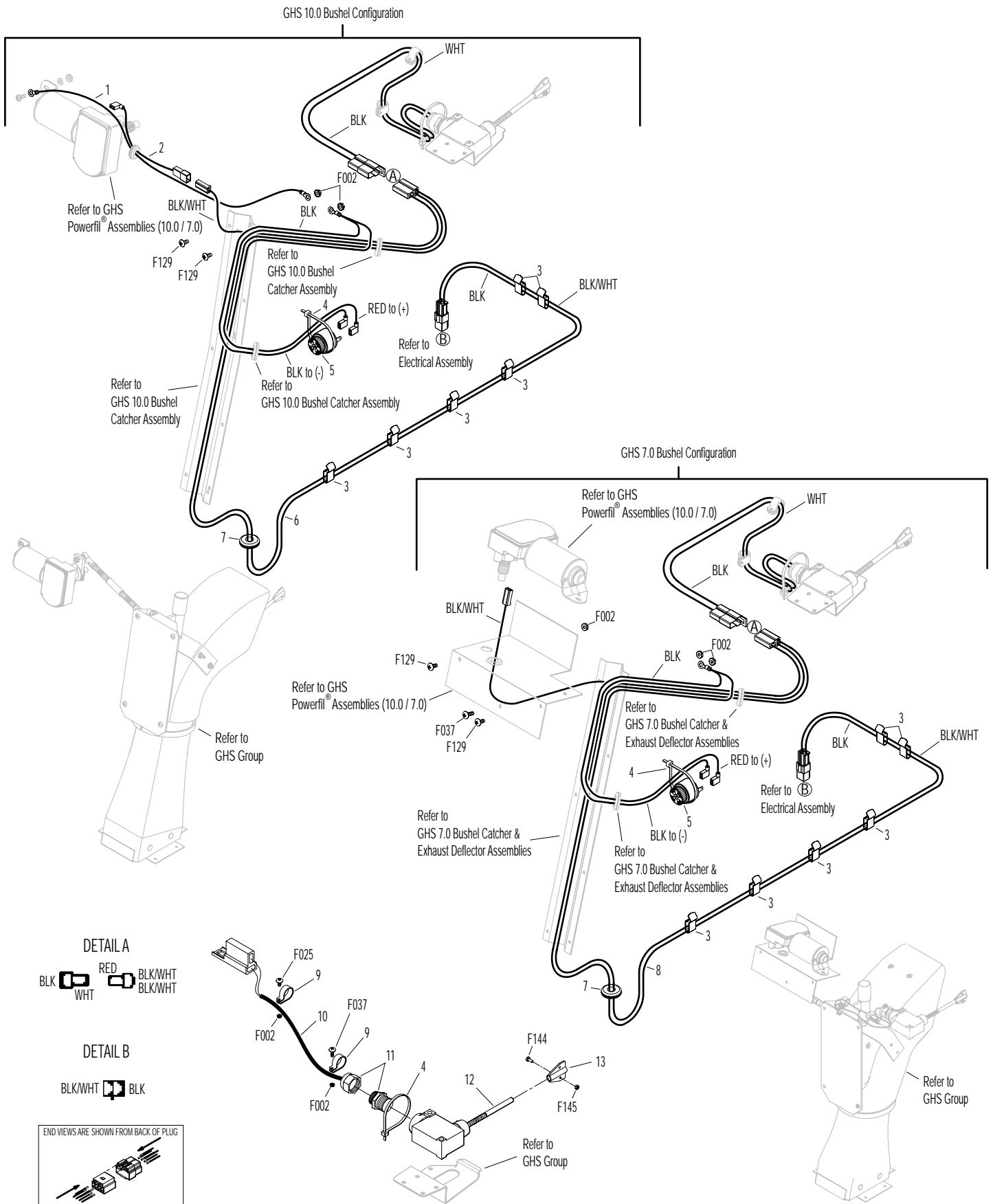
F002	10-24 Keps Nut	5
F025	10-24 x 3/8 PPHMS	1
F037	10-24 x 5/8 PTH Screw	2
F129	10-24 x 1/2 PTHMS	2
F144	4-40 x 1/4 PPHMS	1
F145	4-40 Keps Nut	1

\* Service Part Only

\*\* Item used on 10.0 and 7.0 models

**NOTE:** Refer to **ELECTRICAL CONNECTORS**, Page 64 for identification of all Electrical Wiring Service Parts.

# ELECTRICAL ASSEMBLIES (GHS 10.0 / 7.0 BUSHEL COMPONENTS)



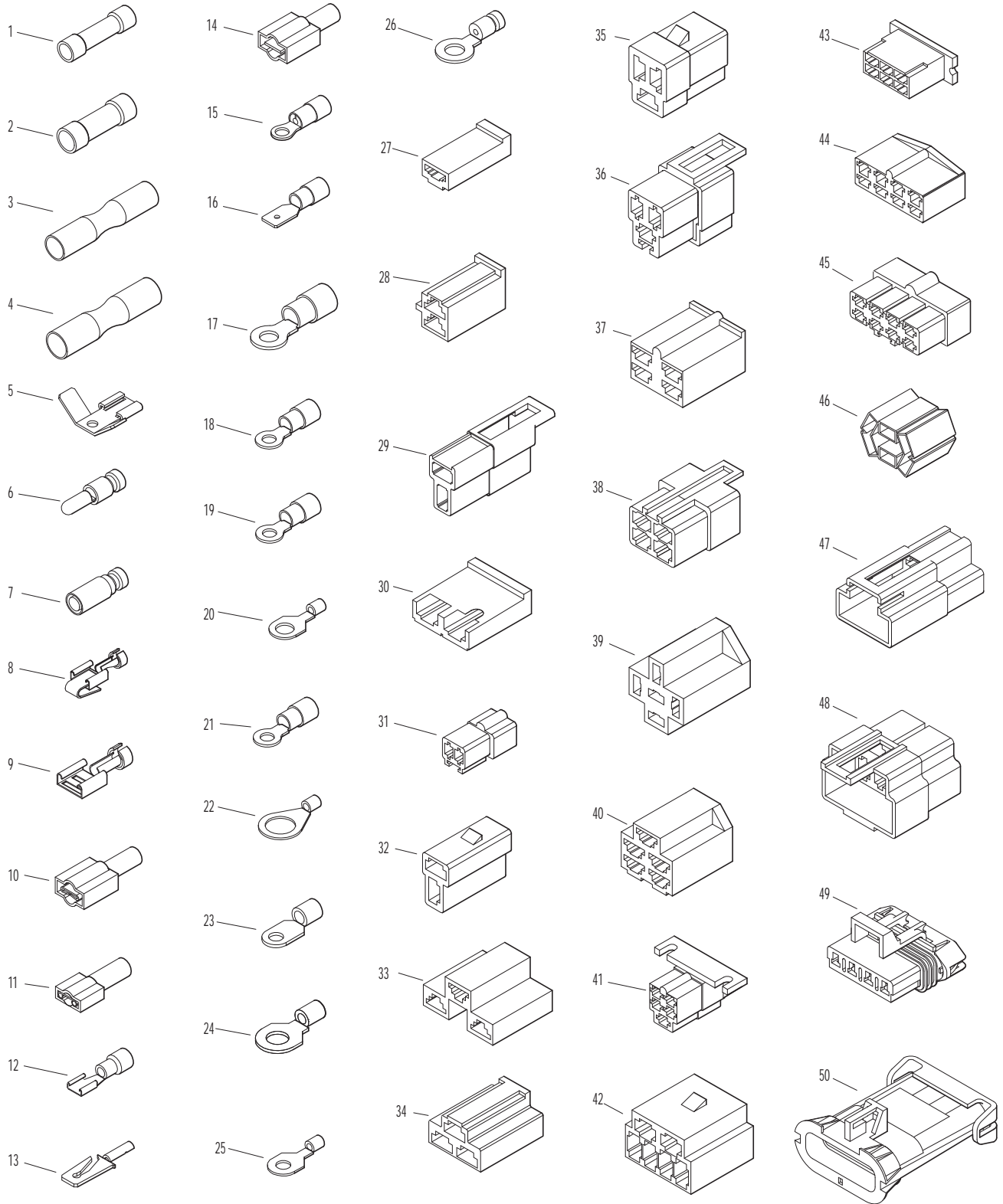
Effective Date 06-01-09

Use only genuine Walker® replacement parts.

# ELECTRICAL CONNECTORS

ITEM NO.	PART NO.	DESCRIPTION	NO. REQ'D	ITEM NO.	PART NO.	DESCRIPTION	NO. REQ'D
<b>Electrical Wiring Service Parts</b>				29	7942-1	2-Way Locking Connector, Female	*
1	5996-1	16-14 GA Butt Connector	*	30	7942-2	2-Way Connector, Male	*
2	5996-11	12-10 GA Butt Connector	*	31	7942-3	2-Way Connector, Female	*
3	7942-14	16-14 GA Shrink Connector	*	32	7942-10	2-Way Locking Connector, Male	*
4	7942-13	12-10 GA Shrink Connector	*	33	5940-8	3-Way Connector, Male	*
5	5995-1	Wire Terminal Adapter	*	34	7942-9	3-Way Connector, Male	*
6	5996-4	16-14 GA Bullet Conn., Male	*	35	8944	3-Way Locking Connector, Male	*
7	5996-5	16-14 GA Bullet Conn., Female	*	36	8944-1	3-Way Locking Connector, Female	*
8	5940-4	16-14 GA Spg. Loaded Term., Female	*	37	7942-11	4-Way Connector, Male	*
9	5940-7	Wire Clip, Female	*	38	7942-12	4-Way Connector, Female	*
10	5996	1/4 x 16-14 GA QKS Term., Female	*	39	7942-5	5-Way Connector, Male	*
11	5996-2	3/16 x 22-18 GA QKS Term., Female	*	40	5940-2	5-Way Connector, Male	*
12	7996	16-14 GA QKS Term., Female	*	41	8942-1	5-Way Connector, Female	*
13	5940-5	16-14 GA Spg. Loaded Term., Male	*	42	7942-6	6-Way Connector, Male	*
14	5996-0	1/4 x 22-18 GA QKS Term., Male	*	43	7942-7	6-Way Connector, Male	*
15	5996-18	16-14 GA Ring Term. (#8) Nylon Insulated	*	44	7942-8	8-Way Connector, Male	*
16	7996-1	1/4 x 16-14 GA QKS Term., Male	*	45	8942-2	8-Way Connector, Female	*
17	5996-8	6 GA Ring Lug (5/16)	*	46	8942-3	5-Way Connector, Male	*
18	5996-9	22-18 GA Ring Term., #10	*	47	5940-9	3-Way Connector (M)	*
19	5996-10	16-14 GA Ring Term. (5/16)	*	48	7942-15	6-Way Connector (Female)	*
20	5996-12	12-10 GA Ring Term. (5/16)	*	49	7940-3	Packard Plug (Male)	*
21	5996-13	16-14 GA Ring Term., # 10	*	50	7940-4	Packard Plug (Female)	*
22	5996-15	12-10 GA Ring Term. (1/2)	*	* Service Part Only			
23	5996-16	6 GA Ring Terminal (1/4)	*	<b>NOTE:</b> Not all Electrical Connectors are used with all assemblies.			
24	5996-17	16-14 GA Ring Term. (1/4)	*	<b>NOTE:</b> Refer to <b>ELECTRICAL ASSEMBLY</b> , Page 38 for locations of Wiring Harness and of all Electrical Wiring Service Parts.			
25	5996-20	12-10 GA Ring Term. (1/4)	*				
26	5996-21	12-10 GA Ring Term., #10	*				
27	7942-4	Single Connector, Male	*				
28	8942	2-Way Connector, Male	*				

# ELECTRICAL CONNECTORS



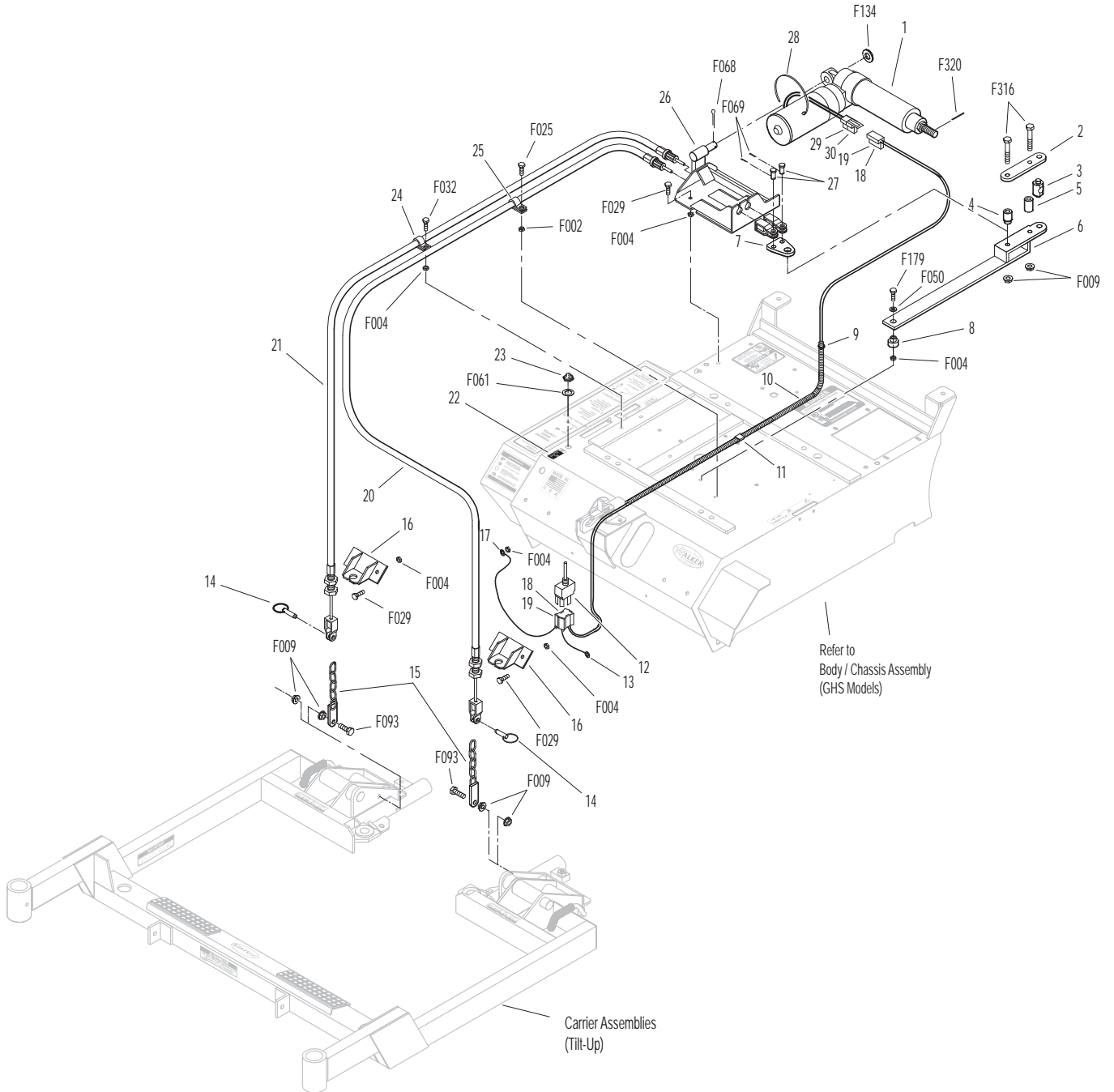
# POWER DECK LIFT KIT

ITEM NO.	PART NO.	DESCRIPTION	NO. REQ'D	ITEM NO.	PART NO.	DESCRIPTION	NO. REQ'D
<b>Kit 8655 Power Deck Lift Option / Kit</b> Includes Items # 1-30, fasteners listed and instructions. May be ordered as a dealer-installed option. Contact your Walker dealer.				<b>Fasteners</b>			
1	8628	Linear Actuator (10" OAL) (Includes Items # 29, 30 & F320)	1	F002		10-24 Keps Nut	1
2	8655-8	Clamp Bar	1	F004		1/4-20 Keps Nut	11
3	7503-10	Actuator Drive Bushing	1	F009		5/16-18 Whiz Locknut	6
4	8655-11	Bushing (5/8 x 5/16 x 1-1/16)	1	F025		10-24 x 3/8 PPHMS	1
5	8655-10	Bushing (5/8 x 5/16 x 1-1/16)	1	F029		1/4-20 x 1/2 Hex Bolt	8
6	8655-7	Arm, Deck Lift	1	F032		1/4-20 x 3/4 Hex Bolt	1
7	8655-9	Cable Pull	1	F050		1/4 SAE Washer	1
8	8655-12	Bushing (3/4 x 1/4 x 3/4)	1	F061		1/4 Internal Star Lock Washer	1
9	5977-1	Grommet (1/8 x 3/8)	1	F068		1/8 x 1 Cotter Pin	1
10	8649	Wire Harness	1	F069		3/32 x 1/2 Cotter Pin	2
11	5975-5	Wire Clip, Self Mount	1	F093		5/16-18 x 1 Hex Bolt	2
12	6623	Toggle Switch	1	F134		AN960816L Washer	1
13	5996-21	12-10 GA Ring Terminal (#10)	*	F179		1/4-20 x 1 Hex Bolt	1
14	8655-1	Hitch Pin/Cotterless (5/8)	2	F316		5/16-18 x 1-3/4 Hex Bolt	2
15	8655-6	Lift Chain	2	F320		1/8 x 3/4 Split Spring Pin	*
16	8655-5	Cable Mount	2				
17	5996-20	12-10 GA Ring Terminal (1/4)	*				
18	8942-3	5-Way Connector (M)	*				
19	5940-4	16-14 GA Spring-Loaded Terminal (F)	*				
20	8655-3	Cable, LH (48")	1				
21	8655-2	Cable, RH (38.5")	1				
22	8654	Decal, Deck Lift	1				
23	6623-1	Switch Boot	1				
24	6832	Cable Clamp (9/16 x 1/4)	1				
25	5832	Cable Clamp (1/2)	1				
26	8655-22	Base, Deck Lift	1				
27	8655-4	Clevis Pin (5/16 x 3/4)	2				
28	5975-3	Cable Tie (#50 x 7")	3				
29	7942-1	2-Way Locking Connector (F)	*				
30	5940-5	16-14 GA Spring-Loaded Terminal (M)	*				

\* Service Part Only

**NOTE:** Power Deck Lift is not compatible with Comfort Seat or Suspension Seat.

# POWER DECK LIFT KIT



# ARMREST KIT / TOUCH-UP PAINT / COMFORT SEAT KIT

ITEM NO.	PART NO.	DESCRIPTION	NO. REQ'D
----------	----------	-------------	-----------

**Kit 5885 Armrest Option / Kit**

Includes Items # 1-5, fasteners listed and instructions. May be ordered as a dealer-installed option. Contact your Walker dealer.

1	5886-1	Armrest, RH	1
2	5886-6	Cover Plate, RH	1
3	5887	Mounting Bracket	1
4	5886-5	Cover Plate, LH	1
5	5886-2	Armrest, LH	1
	5888	Armrest Hardware Kit (Includes Items # F305, F306, F307 & F308)	*

**Touch-Up Paint**

6	5867	Touch-Up Paint, Grey (12 oz. Aerosol)	
7	5866	Touch-Up Paint, Yellow (12 oz. Aerosol)	

**Kit 6103-5 Comfort Seat Kit (Cordura)**

Includes Items # 8, 13, fasteners listed and instructions. May be ordered as a dealer-installed option. Contact your Walker dealer.

8	6103-5	Comfort Seat	1
9	7203	Seat Spring Plate	**
10	7223-1	Compression Spring	**
11	7846	Washer (3/8 x 1-1/4 x 1/8)	**
12	7204	Shoulder Bolt, Seat Mount	**
13	7203-6	Riser Plate, Seat Switch	***
14	7845	Rubber Bumper (1.375 x .63)	**
15	7440-5	Shock Mount (1-1/4 x 3/4)	**

ITEM NO.	PART NO.	DESCRIPTION	NO. REQ'D
----------	----------	-------------	-----------

**Kit 6103-17 Armrest Option / Kit**

Includes Items # 16, 17 and instructions. Item # 16 is the **Right** side armrest only. Item # 17 is the **Left** side armrest only. Sold only as a complete set and may be ordered together as a factory-installed option or as a kit for dealer installation. Contact your Walker dealer.

16	6103-42	Armrest, RH/Cordura	1
17	6103-41	Armrest, LH/Cordura	1

**Fasteners**

F009	5/16-18 Whiz Locknut	**
F026	10-24 x 1/2 PPHMS	2
F227	3/8 x 1-1/4 x 1/8 Plastic Washer	**
F305	1/4-20 x 3/8 SH Cap Screw	2
F306	3/8-16 x 3/4 Hex Bolt	4
F307	#10 x 5/8 PPHST Screw	2
F308	1-1/4 x 1-5/8 Wave Spring Washer	2

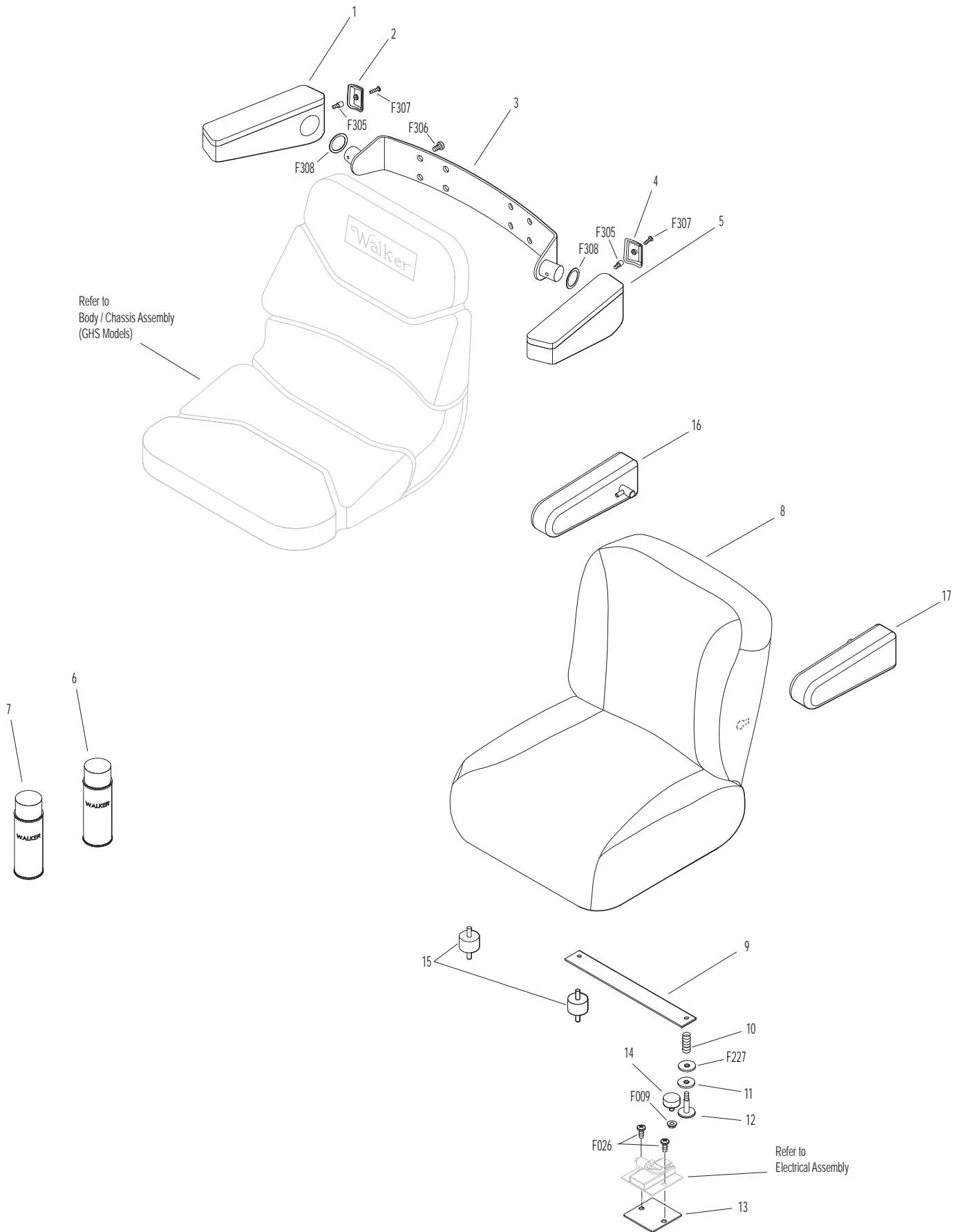
\* Service Part Only

\*\* Reuse existing parts from Seat Assembly. Refer to **BODY / CHASSIS ASSEMBLY (GHS MODELS)**, Page 4.

\*\*\* Only one Riser Plate is included with kit. One is reused from Seat Assembly. Refer to **BODY / CHASSIS ASSEMBLY (GHS MODELS)**, Page 4.



# ARMREST KIT / TOUCH-UP PAINT / COMFORT SEAT KIT



Effective Date 06-01-09

Use only genuine Walker® replacement parts.

# LIGHT KIT / SUSPENSION SEAT REPLACEMENT PARTS

ITEM NO.	PART NO.	DESCRIPTION	NO. REQ'D
----------	----------	-------------	-----------

## Kit 7989-11 Light Option / Kit

Includes Items # 1-10, fasteners listed and instructions. May be ordered as a dealer-installed option. Contact your Walker dealer.

1	7989-2	Light Assembly (Halogen) (Includes Items # 2 & 4) (Includes Halogen Bulb)	2
	7989-6	Bulb Replacement (Halogen)	*
2	7989-3	Wire Harness Extension	2
3	7834-2	Wire Saddle (2 Wires)	8
4	5996-4	16-14 GA Bullet Cntr. (M)	3
5	5996-5	16-14 GA Bullet Cntr. (F)	2
6	7993-1	Mount Bracket, Lights	1
7	7995-3	Power Lead Wire Assembly (Includes Items # 4, 5 & 8-10)	1
8	5977-1	Grommet (1/8 x 3/8)	2
9	5975-1	Cable Tie (18# x 3-3/4")	1
10	5996	1/4 x 16-14 GA QDF Terminal	1

## Suspension Seat Replacement Parts\*\*

11	6105-5	Back Cushion/Vinyl	1
12	6105-7	Left Hand Armrest	1
13	6105-10	Handle	1
14	6105-6	Right Hand Armrest	1
15	6105-8	Grammer Seat Switch	***
16	6105-9	Wear Part Kit	***

ITEM NO.	PART NO.	DESCRIPTION	NO. REQ'D
----------	----------	-------------	-----------

## Fasteners

F009		5/16-18 Whiz Locknut	2
F052		5/16 Ext. Star Lock Washer	2
F091		5/16-18 x 5/8 Hex Bolt	2

\* Service Part Only

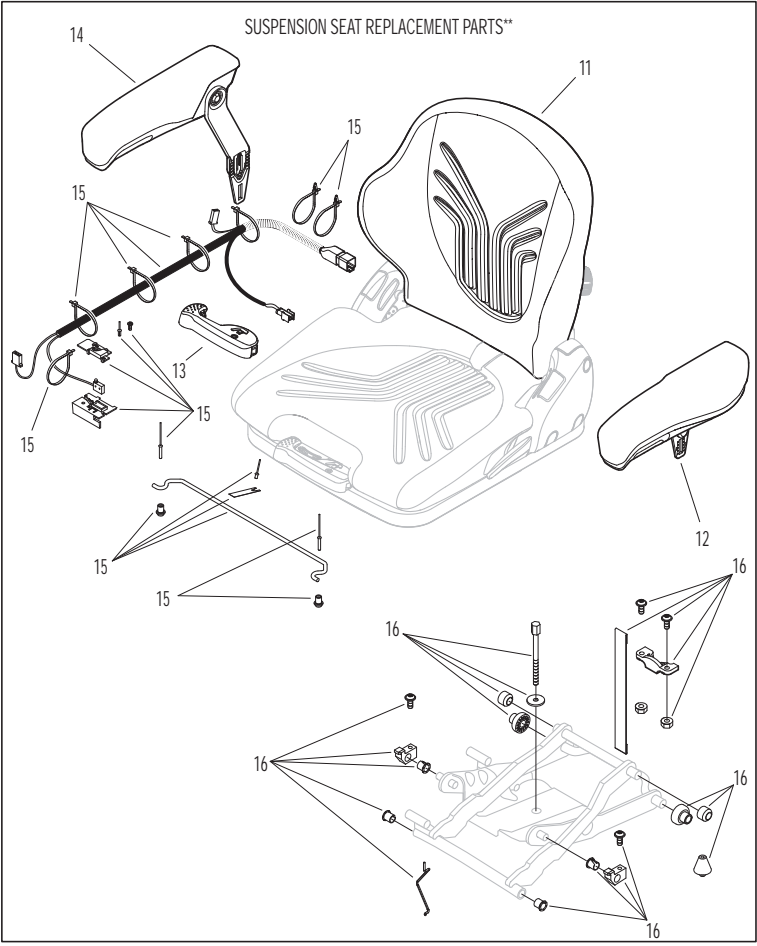
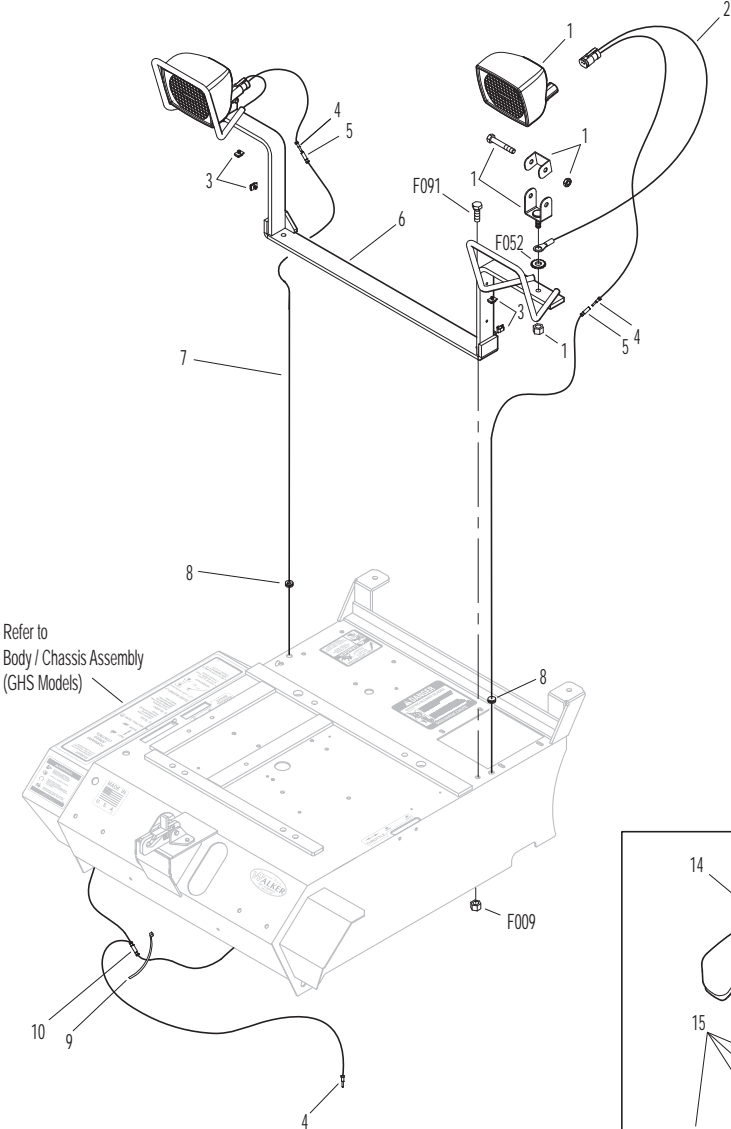
\*\* Installation of worn parts included in the scope of delivery of spare parts **must be performed exclusively in authorized workshops by trained or suitably qualified personnel** and in adherence with the **applicable repair manual**.

\*\*\* Replace all existing old parts with enclosed new ones. If there is no new part included, the old one is to be cleaned and checked for its suitability for re-use. Defective parts and worn parts must always be replaced by new ones.

**NOTE:** Upon installation of Light Kit, Item # 8 replaces P/N 5989-4 (Dome Plug, 3/8) and Item # F091 replaces P/N 5989-3 (Dome Plug, 5/16). Dome Plugs are not shown here. Refer to **BODY / CHASSIS ASSEMBLY (GHS MODELS)**, Page 4.

**NOTE:** Refer to **ELECTRICAL CONNECTORS**, Page 42 for identification of all Electrical Wiring Service Parts.

# LIGHT KIT / SUSPENSION SEAT REPLACEMENT PARTS



Effective Date 06-01-09

Use only genuine Walker<sup>®</sup> replacement parts.

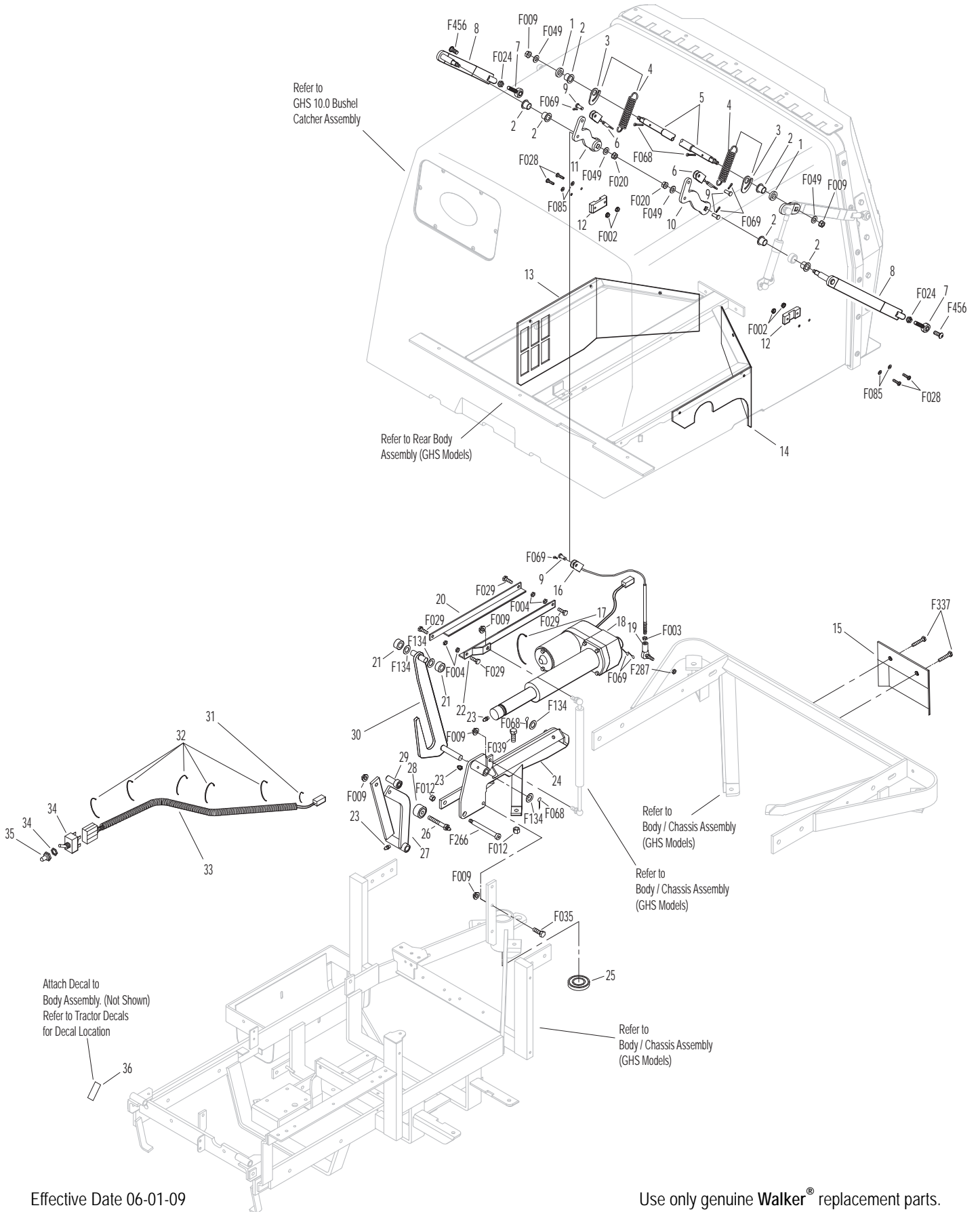
# POWER DUMP KIT (10.0 BUSHEL GHS MODELS ONLY)

ITEM NO.	PART NO.	DESCRIPTION	NO. REQ'D	ITEM NO.	PART NO.	DESCRIPTION	NO. REQ'D	
<b>Kit 8620-2 Power Dump Option / Kit (10.0 Models Only)</b> Includes Items # 1-36, fasteners listed and instructions. May be ordered as a factory-installed option or as a kit for dealer installation. Contact your Walker dealer.				<b>Fasteners</b>				
1	5103-7	Outside Torsion Bushing	2	F002		10-24 Keps Nut	4	
2	7620-3	Pivot Bushing (1/2 x 9/16)	6	F003		1/4-28 Hex Nut	2	
3	8623-5	Torsion Spring Hook	2	F004		1/4-20 Keps Nut	4	
4	5221-2	Extension Spring (3/4 x 3-1/2")	2	F009		5/16-18 Whiz Locknut	6	
5	8608-9	Torsion Bar	1	F012		3/8-16 Keps Nut	2	
6	8623-3	Extension Spring Cable	2	F020		5/16-18 ESNA Nut	2	
7	5214-12	Ball Joint (5/16-24)	2	F024		5/16-24 Jam Nut	2	
8	8607-10	Lower Arm/Power Dump	2	F028		10-24 x 3/4 PPHMS	4	
9	7523-2	Clevis Pin W/Hole (1/4 x 5/8)	4	F029		1/4-20 x 1/2 Hex Bolt	4	
10	8623-7	Inner Power Dump Arm, LH	1	F035		5/16-18 x 1-1/4 Hex Bolt	1	
11	8623-6	Inner Power Dump Arm, RH	1	F039		3/8-16 x 1-1/4 Hex Bolt	2	
12	7620-6	Cable Guide	2	F049		5/16 SAE Washer	4	
13	8105-4	Rear Body Panel, RH	1	F068		1/8 x 1 Cotter Pin	4	
14	7104-5	Rear Body Panel, LH	1	F069		3/32 x 1/2 Cotter Pin	8	
15	8620-5	Guard, 10.0 Power Dump Motor	1	F085		3/16 Rivet Backup Washer	4	
16	8623-2	Power Dump Cable, 10.0	2	F134		AN960816L Washer	4	
17	5975-7	Cable Tie (50# x 11")	1	F266		1/2 x 2-3/4 Shoulder Bolt	1	
18	7721	Linear Actuator (13.898)	1	F287		1/4-28 Keps Nut	2	
19	5552	Ball Joint (1/4-28)	2	F337		1/4-20 x 5/8 Self-Tap Bolt	2	
20	7628-1	Channel Angle, RH	1	F456		5/16-18 x 3/4 SBH Cap Screw, SS	2	
21	7620-9	Roller Wheel	2					
22	7629	Channel Angle, LH	1					
23	5830	Grease Fitting	3					
24	7636-1	Actuator Mount, 10.0	1					
25	5842-1	Washer (1.0 ID x 1.350 OD)	1					
26	7624-1	Roller Bearing Bolt	1					
27	7627	Front Actuator Mount	1					
28	7624	Sealed Needle Bearing	1					
29	7630-3	Ram Pivot and Spacer	1					
30	7625	Fork	1					
31	5975-1	Cable Tie (18# x 3-3/4")	1					
32	5975-3	Cable Tie (50# x 7")	5					
33	7622	Wire Harness	1					
34	6623	Toggle Switch	1					
35	6623-1	Switch Boot	1					
36	7633	Decal, Power Dump	1					

**NOTE:** Two F009 Fasteners are reused from the Rear Gas Spring Assembly. Refer to **REAR BODY ASSEMBLY (GHS MODELS)**, Page 6.

**NOTE:** Refer to **ELECTRICAL CONNECTORS**, Page 42 for identification of all Electrical Wiring Service Parts.

# POWER DUMP KIT (10.0 BUSHEL GHS MODELS ONLY)



Effective Date 06-01-09

Use only genuine Walker® replacement parts.

# POWER DUMP KIT (7.0 BUSHEL GHS MODELS ONLY)

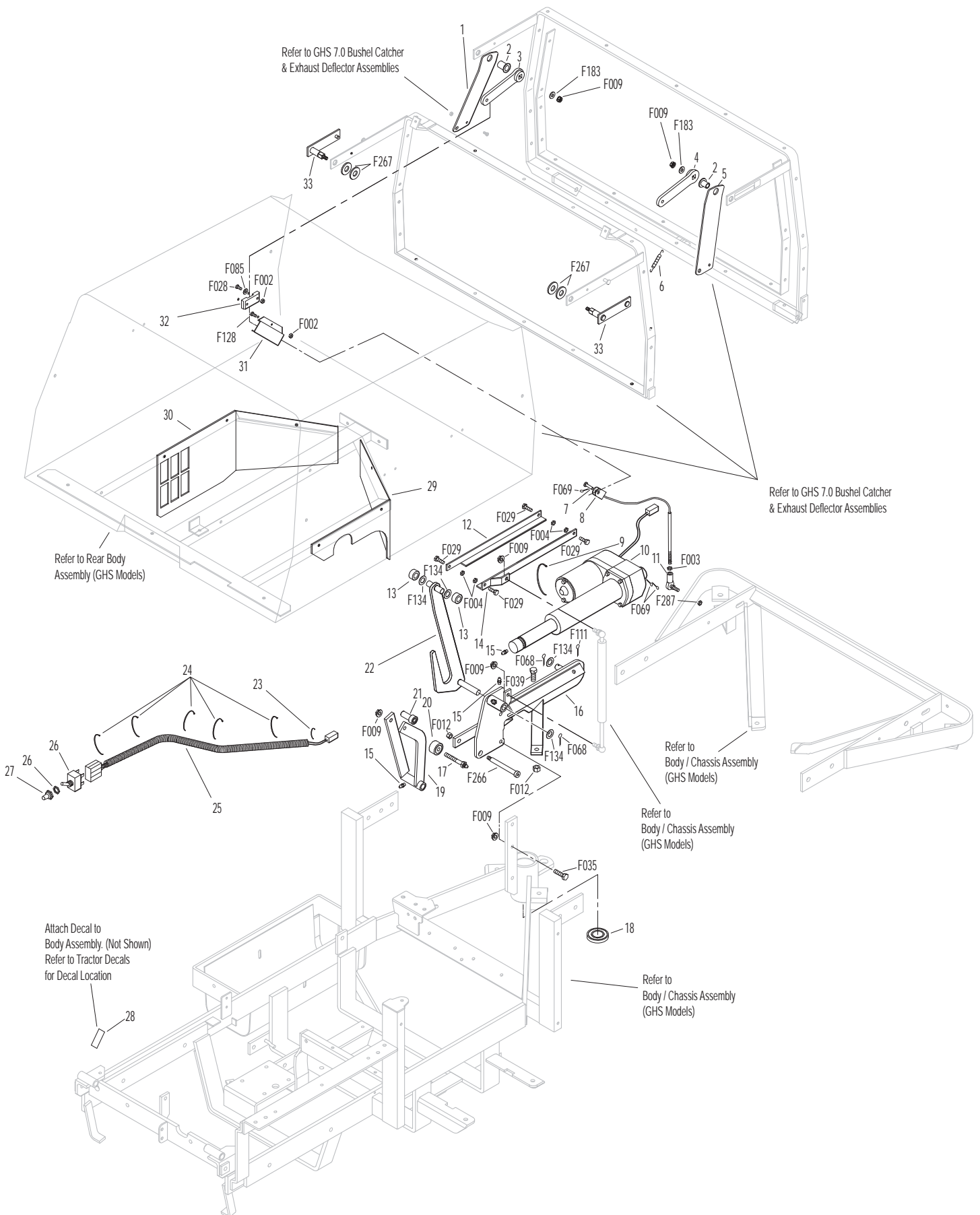
ITEM NO.	PART NO.	DESCRIPTION	NO. REQ'D
<b>Kit 7620-13 Power Dump Option / Kit (7.0 Models Only)</b>			
Includes Items # 1-33, fasteners listed and instructions. May be ordered as a factory-installed option or as a kit for dealer installation. Contact your Walker dealer. Not to be used with optional Dump Bag Kits.			
1	5522-20	Hinge Backup Plate/RH/PD	1
2	7620-3	Pivot Bushing (1/2 x 9/16)	2
3	7612-4	Door Actuator Arm, RH	1
4	7612-3	Door Actuator Arm, LH	1
5	5522-10	Hinge Backup Plate/LH/PD	1
6	7610-5	Extension Spring (1/4 x 2-7/8)	1
7	7523-2	Clevis Pin W/Hole (1/4 x 5/8)	2
8	7623	Power Dump Cable	2
9	5975-7	Cable Tie (50# x 11")	1
10	7621	Linear Actuator, 7.0	1
11	5552	Ball Joint (1/4-28)	2
12	7628-1	Channel Angle, RH	1
13	7620-9	Roller Wheel	2
14	7629	Channel Angle, LH	1
15	5830	Grease Fitting	3
16	7626-0	Actuator Mount	1
17	7624-1	Roller Bearing Bolt	1
18	5842-1	Washer (1.0 ID x 1.350 OD)	1
19	7627	Front Actuator Mount	1
20	7624	Sealed Needle Bearing	1
21	7630-3	Ram Pivot and Spacer	1
22	7625	Fork	1
23	5975-1	Cable Tie (18# x 3-3/4")	1
24	5975-3	Cable Tie (50# x 7")	5
25	7622	Wire Harness	1
26	6623	Toggle Switch	1
27	6623-1	Switch Boot	1
28	7633	Decal, Power Dump	1
29	7104-5	Rear Body Panel, LH	1
30	8105-4	Rear Body Panel, RH	1
31	7620-12	Cable Rod Guide, 7.0	2
32	7620-6	Cable Guide	2
33	7613-2	Door Actuator (5/16-18)	2

ITEM NO.	PART NO.	DESCRIPTION	NO. REQ'D
<b>Fasteners</b>			
F002		10-24 Keps Nut	6
F003		1/4-28 Hex Nut	2
F004		1/4-20 Keps Nut	4
F009		5/16-18 Whiz Locknut	6
F012		3/8-16 Keps Nut	2
F028		10-24 x 3/4 PPHMS	4
F029		1/4-20 x 1/2 Hex Bolt	4
F035		5/16-18 x 1-1/4 Hex Bolt	1
F039		3/8-16 x 1-1/4 Hex Bolt	2
F068		1/8 x 1 Cotter Pin	2
F069		3/32 x 1/2 Cotter Pin	4
F085		3/16 Rivet Backup Washer	4
F111		1/8 x 3/4 Cotter Pin	1
F128		10-24 x 3/8 PTHMS	2
F134		AN960816L Washer	4
F183		.312 x .700 x .074 Washer	2
F266		1/2 x 2-3/4 Shoulder Bolt	1
F267		1/2 x 1 x 1/16 Washer	4
F287		1/4-28 Keps Nut	2

**NOTE:** Two F009 Fasteners are reused from the Rear Gas Spring Assembly. Refer to **REAR BODY ASSEMBLY (GHS MODELS)**, Page 6.

**NOTE:** Refer to **ELECTRICAL CONNECTORS**, Page 42 for identification of all Electrical Wiring Service Parts.

# POWER DUMP KIT (7.0 BUSHEL GHS MODELS ONLY)



Effective Date 06-01-09

Use only genuine Walker® replacement parts.

# HI-DUMP KIT

ITEM NO.	PART NO.	DESCRIPTION	NO. REQ'D	ITEM NO.	PART NO.	DESCRIPTION	NO. REQ'D
<b>Hi-Dump Kit</b>				47	8400-7	Decal, Electrical Jumper Warning	1
1	5214-12	Ball Joint (5/16-24)	2	48	8400-15	Switch Mount	1
2	8607-10	Lower Arm, Power Dump	2	49	8400-9	Decal, Hi-Dump Operation	1
3	7620-3	Pivot Bushing (1/2 x 9/16)	6	50	8400-14	Switch Cover (Includes Item # 49)	1
4	5103-7	Outside Torsion Bushing	2	51	8403-18	Pump Guard	1
5	7523-2	Clevis Pin W/Hole (1/4 x 5/8)	4	52	8400-1	Bumper/Hi-Dump Mount (Includes Item # 43)	1
6	8623-6	Inner Power Dump Arm, RH	1	53	8400-2	Rear Pivot, RH (Includes Items # 27 & 36)	1
7	8623-3	Extension Spring Cable	2	54	8402-8	Control Lift Rod	2
8	5221-2	Extension Spring (3/4 x 3-1/2")	2	55	5214-11	Ball Joint (1/2-20LH) Hi Strength	2
9	8623-5	Torsion Spring Hook	2	56	7847	Rubber Bumper (1.5 OD x 1.0)	1
10	8608-9	Torsion Bar	1	<b>Fasteners</b>			
11	8623-7	Inner Power Dump Arm, LH	1	F002	10-24 Keps Nut	10	
12	7620-6	Cable Guide	2	F003	1/4-28 Hex Nut	2	
13	8623-2	Power Dump Cable, 10.0	2	F004	1/4-20 Keps Nut	8	
14	5552	Ball Joint (1/4-28)	2	F009	5/16-18 Whiz Locknut	16	
15	7628-1	Channel Angle, RH	1	F012	3/8-16 Keps Nut	12	
16	8404-4	Channel Angle/Hi-Dump, LH	1	F016	1/2-13 Self-Locking Nut	2	
17	7146	13mm Ball Stud	2	F020	5/16-18 ESNA Nut	2	
18	8402-3	Backup Plate	1	F024	5/16-24 Jam Nut	2	
19	7145	Gas Spring Assembly (Includes Items # 17 & 20)	1	F025	10-24 x 3/8 PPHMS	1	
20	7147	Spring Clip	2	F028	10-24 x 3/4 PPHMS	4	
21	5841	Retainer Washer (3/8 x 1-1/4)	4	F029	1/4-20 x 1/2 Hex Bolt	4	
22	8845	Rubber Bumper (30mm OD x 40mm) 5/16-18 Female	3	F034	5/16-18 x 3/4 Hex Bolt	6	
23	8404-6	Clevis Pin (1/2 x 1-1/2)	1	F035	5/16-18 x 1-1/4 Hex Bolt	2	
24	8402-6	Catcher Pivot Plate, Hi-Dump	2	F037	10-24 x 5/8 PTH Screw	2	
25	7620-9	Roller Wheel	2	F038	3/8-16 x 1 Hex Bolt	4	
26	8402-2	Catcher Pivot Arm (Includes Item # 27)	1	F039	3/8-16 x 1-1/4 Hex Bolt	4	
27	5830	Grease Fitting	5	F040	3/8-16 x 1-1/2 Hex Bolt	3	
28	8404-5	Clevis Pin (1/2 x 1-1/4)	1	F048	1/2 SAE Washer	1	
29	8402-4	Upper Cylinder Mount Arm	1	F049	5/16 SAE Washer	5	
30	8402-1	Catcher Frame/Hi-Dump (Includes Items # 27 & 33)	1	F052	5/16 Ext. Star Lock Washer	1	
31	7845	Rubber Bumper (1.375 x .63)	2	F068	1/8 x 1 Cotter Pin	2	
32	8401-4	Upper Pivot Shaft	1	F069	3/32 x 1/2 Cotter Pin	4	
33	8201-3	Fiberglide Bearing	4	F085	3/16 Rivet Backup Washer	4	
34	8401-5	Pivot Arm (Includes Item # 35)	1	F111	1/8 x 3/4 Cotter Pin	2	
35	8401-9	Decal, Safety Lockout Arm	1	F134	AN960816L Washer	2	
36	5683	Pivot Bearing	2	F151	3/8-16 x 7/8 Hex Bolt	2	
37	8401-1	Torsion Spring (1-1/2)	1	F208	5/16-18 x 2-1/4 Hex Bolt	5	
38	8401-6	Spring Bushing	1	F241	.375 x .875 x .10 Washer	2	
39	8401-3	Safety Lockout Arm	1	F287	1/4-28 Keps Nut	2	
40	8401-2	Safety Lockout Spring	1	F385	1/4 x 1-1/4 Roll Pin	1	
41	8400-3	Rear Pivot, LH (Includes Items # 27 & 36)	1	F395	1/4-20 x 2-1/4 FHA Screw, SS	4	
42	5214-10	Ball Joint (1/2-20) Hi Strength	2	F396	10-24 x 1-1/4 PPH Bolt	2	
43	8400-8	Decal, Hi-Dump	1	F399	1/2-13 x 3-1/4 Hex Bolt	2	
44	7047-5	Mount Plate	1	F402	1/4-20 x 2 PFH Bolt	2	
45	8430-1	Body Chute, Hi-Dump (10.5)	1	F405	3/8-16 x 1-1/2 FHA Screw, SS	1	
46	8400-10	Auxiliary Power Terminal Plate (Includes Item # 47)	1	F420	5/16-18 x 1-1/4 Carriage Bolt	1	
				F440	1/2-20 Jam Nut RH	2	
				F441	1/2-20 Jam Nut/Left Hand	2	
				F456	5/16-18 x 3/4 SBH Cap Screw, SS	2	

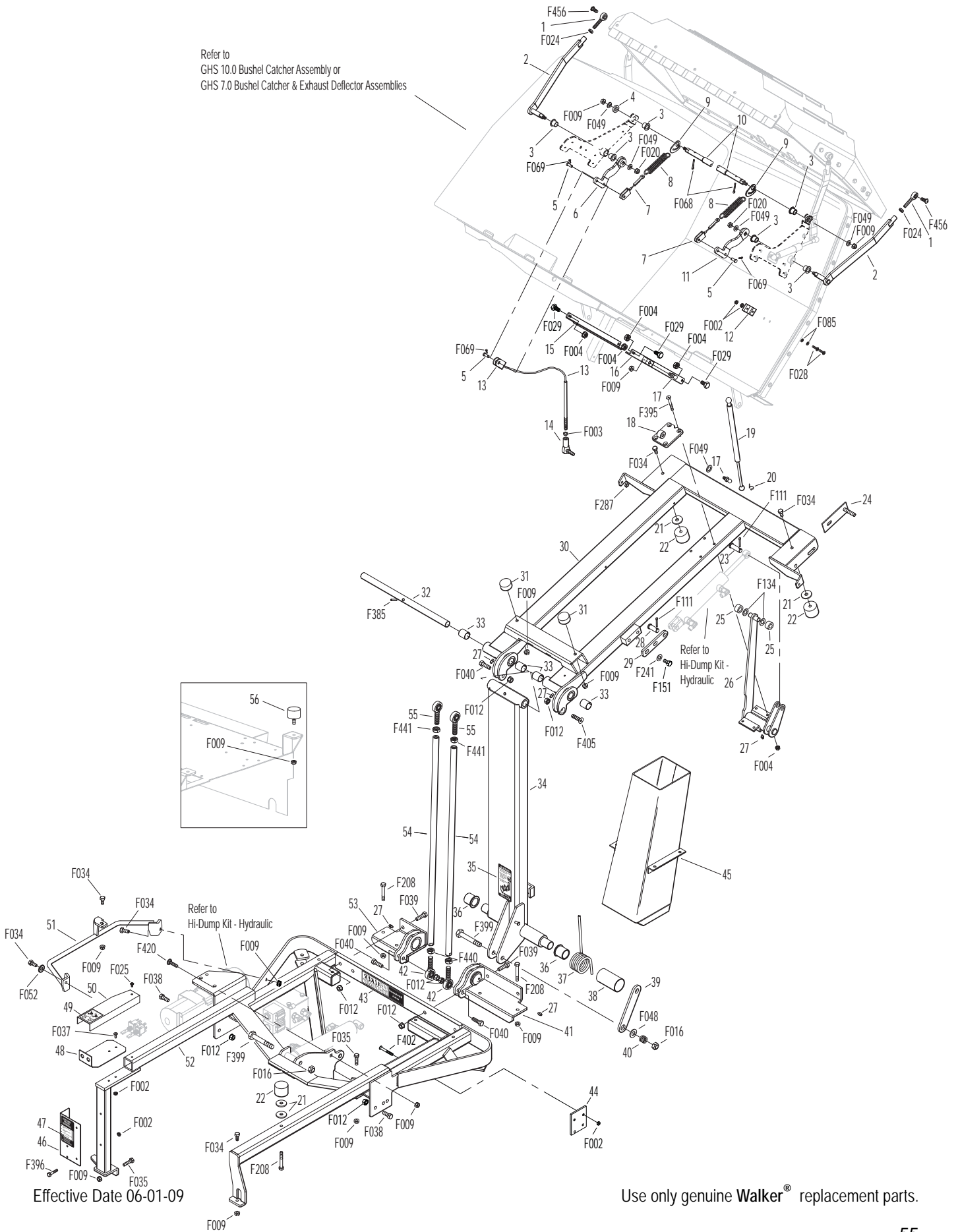
Use only genuine Walker® replacement parts.

Effective Date 06-01-09



# HI-DUMP KIT

Refer to  
GHS 10.0 Bushel Catcher Assembly or  
GHS 7.0 Bushel Catcher & Exhaust Deflector Assemblies



Effective Date 06-01-09

Use only genuine Walker® replacement parts.

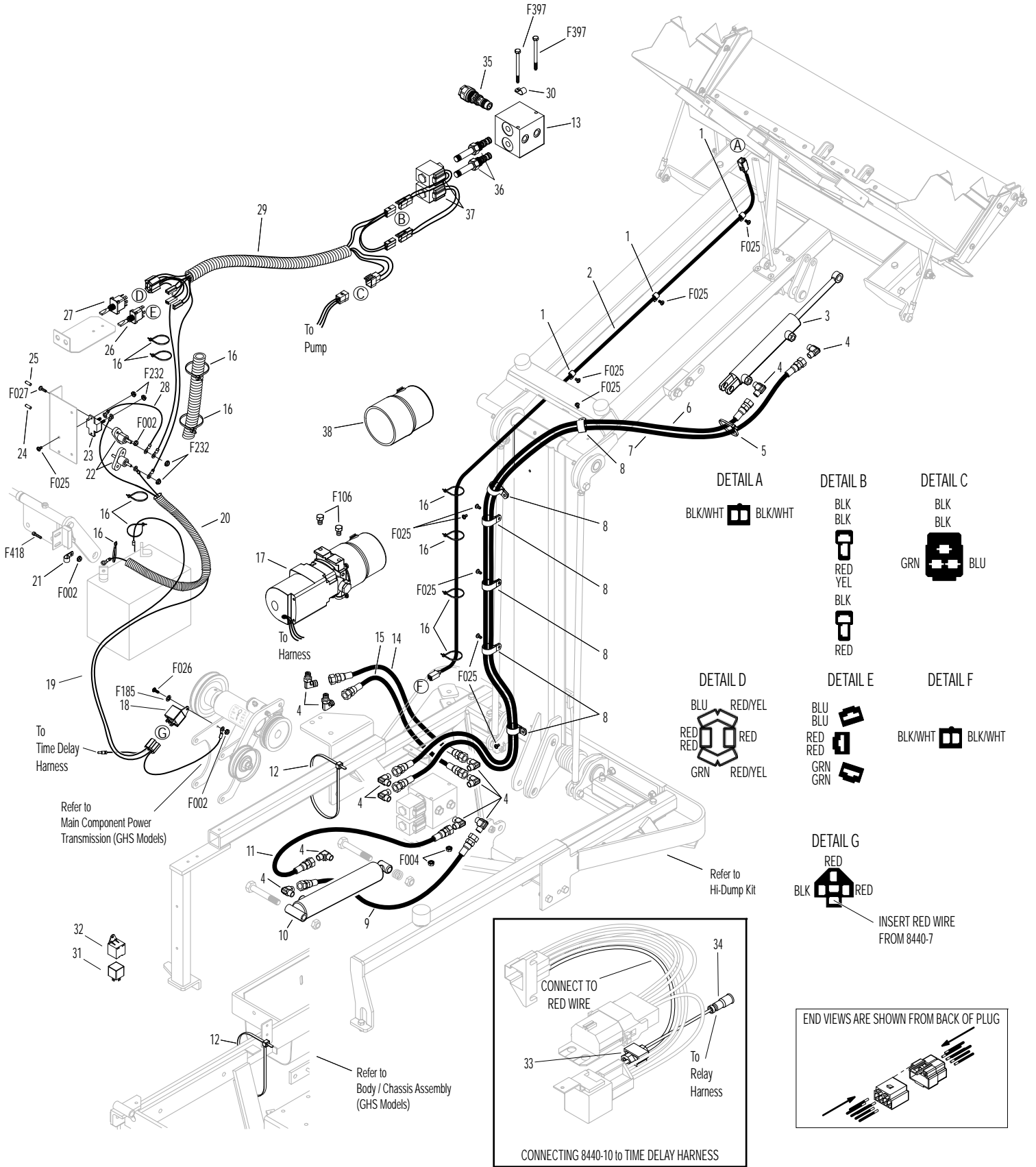
# HI-DUMP KIT - HYDRAULIC

ITEM NO.	PART NO.	DESCRIPTION	NO. REQ'D	ITEM NO.	PART NO.	DESCRIPTION	NO. REQ'D
<b>Hi-Dump Kit</b>				<b>Component Replacement Part</b>			
1	5833	Cable Clamp (1/4)	3	35	8403-11	Counterbalance Valve	1
2	8440-1	Catcher Adapter Harness	1	36	8403-8	Directional Valve	2
3	8404	Dump Cylinder	1	37	8403-9	Coil W/Connectors	2
4	8403-7	90° Fitting	12	38	8403-1	Reservoir / Power Unit	1
5	5975-3	Cable Tie (50# x 7")	1	<b>Fasteners</b>			
6	8403-5	Hydraulic Hose, Catcher Box Dump (67.5)	1	F002	10-24 Keps Nut		7
7	8403-6	Hydraulic Hose, Catcher Box Dump (73.5)	1	F004	1/4-20 Keps Nut		2
8	5835	Cable Clamp (3/4)	6	F025	10-24 x 3/8 PPHMS		11
9	8403-3	Hydraulic Hose, Lift / Rear (11.5)	1	F026	10-24 x 1/2 PPHMS		1
10	8404-1	Lift Cylinder	1	F027	10-24 x 5/8 PPHMS		4
11	8403-2	Hydraulic Hose, Lift / Front (16)	1	F106	3/8-16 x 5/8 Hex Bolt		2
12	5975-7	Cable Tie (50# x 11")	2	F185	1/4 Int. Star Lock Washer, SS		1
13	8404-2	Hydraulic Valve Box	1	F232	10-32 Keps Nut		6
14	8403-4	Hydraulic Hose, Valve to Pump (17-1/2) A / Up	1	F397	1/4-20 x 3-3/8 Hex Bolt		2
15	8403-20	Hydraulic Hose, Valve to Pump (17-1/2) B / Down	1	F418	10-24 x 7/8 SHC Screw, GR5 (SS)		2
16	5975-1	Cable Tie (18# x 3-3/4")	11	* Service Part Only			
17	8403-19	Hydraulic Power Unit	1				
	8403-22	Motor Replacement	*				
18	6942	Relay Switch 30/40AMP(NC) (Includes Items # 31 & 32)	1				
19	8440-6	Relay Harness	1				
20	8440-7	Battery/Relay Harness	1				
21	5832	Cable Clamp (1/2)	1				
22	8401-7	Junction Block (10-32)	2				
23	7941	Circuit Breaker 40 Amp (Auto Reset/Sealed)	1				
24	8404-9	Plastic Cover, Black	1				
25	8404-8	Plastic Cover, Red	1				
26	6623-3	Toggle Switch / SP / DT	1				
27	6623-2	Toggle Switch / DP / DT	1				
28	8440-3	Jumper Wire	1				
29	8440-5	Wire Harness / Hi-Dump	1				
30	7833	Cable Clamp (7/8 x 1/4)	1				
31	6941-6	Relay Switch 30/40 Amp	*				
32	6941-7	Relay Mount	*				
33	8553	Splice Tap (18-14 Ga.)	1				
34	8440-10	Wire Assembly (3")	1				

Use only genuine Walker® replacement parts.

Effective Date 06-01-09

# HI-DUMP KIT - HYDRAULIC



DETAIL A

BLK/WHT BLK/WHT

DETAIL B

BLK  
BLK  
RED  
YEL  
BLK  
RED

DETAIL C

BLK  
BLK  
GRN BLU

DETAIL D

BLU RED/YEL  
RED RED  
GRN RED/YEL

DETAIL E

BLU  
BLU  
RED  
RED  
GRN  
GRN

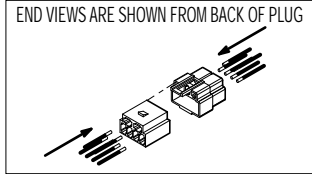
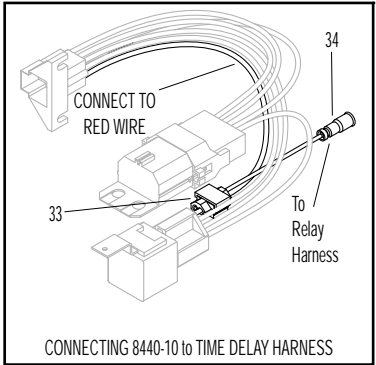
DETAIL F

BLK/WHT BLK/WHT

DETAIL G

RED  
BLK RED

INSERT RED WIRE FROM 8440-7



## NO CATCH DEFLECTOR KIT / TAIL WEIGHT KIT

ITEM NO.	PART NO.	DESCRIPTION	NO. REQ'D
----------	----------	-------------	-----------

**Kit 7500 (7.0 Bushel) No Catch Deflector Option / Kit**  
Includes Items # 1-5, fasteners and instructions.

No Catch Deflector kits may be ordered as a dealer-installed option. Contact your Walker dealer.

1	7500	No-Catch Deflector Kit (7.0)	1
2	8500-5	Side Bracket	2
3	8787-2	Knob (1/4-20) Threaded Insert	1
4	8500-6	Spacer Lug	1
5	8500-8	Decal, No Catch Deflector	1

**Kit 7647 Tail Weight Option / Kit**  
Includes Items # 6, F012, F039 and instructions. May be ordered as a dealer-installed option. Contact your Walker dealer.

6	7647-9	Tail Weight Strap	2
7	7647-5	Tail Weight Plate, 10-lb	*

ITEM NO.	PART NO.	DESCRIPTION	NO. REQ'D
----------	----------	-------------	-----------

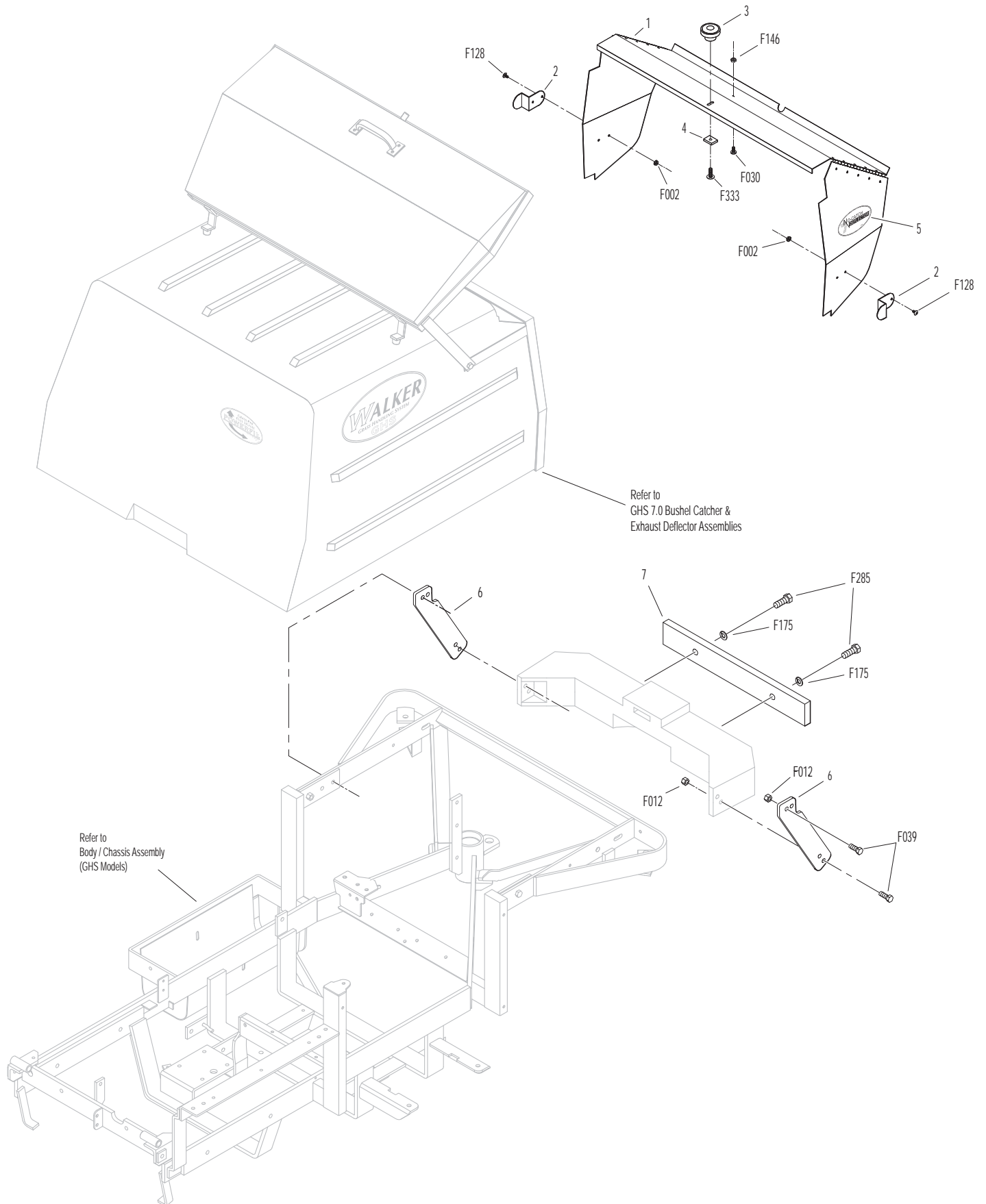
### Fasteners

F002		10-24 Keps Nut	4
F012		3/8-16 Keps Nut	4
F030		1/4-20 x 1/2 PPH Bolt	1
F039		3/8-16 x 1-1/4 Hex Bolt	4
F128		10-24 x 3/8 PTHMS	4
F146		1/4-20 Jam Nut	1
F175		1/2 Split Lock Washer	2**
F285		1/2-13 x 1-1/2 Hex Bolt	2**
F333		1/4-20 x 3/4 PTHMS	1

\* Optional

\*\* Use with optional 10-lb plate.

# NO CATCH DEFLECTOR KIT / TAIL WEIGHT KIT



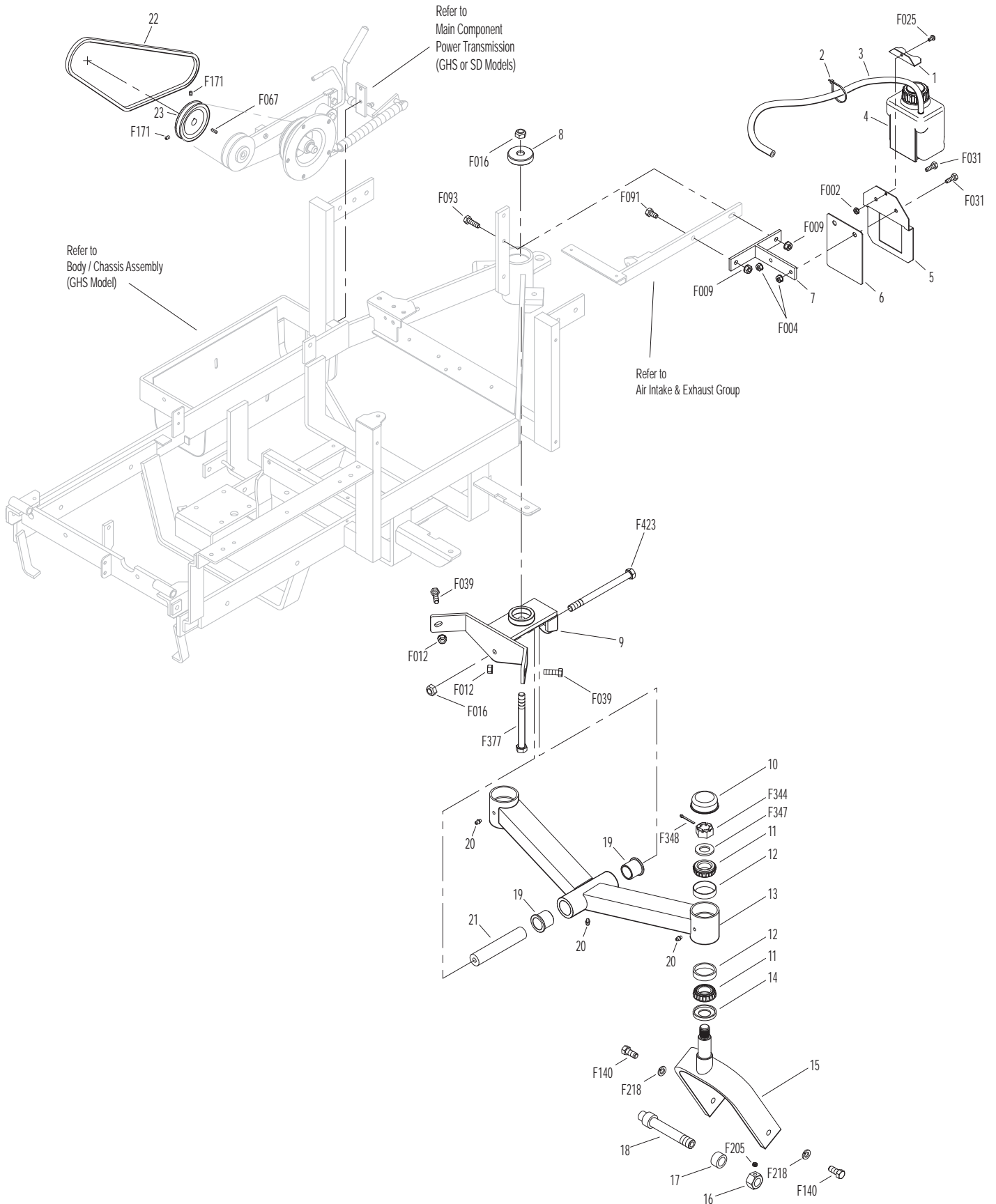
# SPREAD TAIL WHEEL AXLE KIT / SPEED UP KIT

ITEM NO.	PART NO.	DESCRIPTION	NO. REQ'D	ITEM NO.	PART NO.	DESCRIPTION	NO. REQ'D
<b>Kit 7420-8 Coolant Tank Relocation Kit</b> Includes Items # 1-7, fasteners & instructions. May be ordered as a dealer-installed option. Contact your Walker dealer.				<b>Fasteners</b>			
1	7427-33	Recovery Tank Keeper	1	F002		10-24 Keps Nut	1
2	5975-3	Cable Tie (50# x 7")	1	F004		1/4-20 Keps Nut	2
3	7427-8	Overflow Hose, 36"	1	F009		5/16-18 Whiz Locknut	2
4	7427-3	Coolant Recovery Tank	1	F012		3/8-16 Keps Nut	2
5	7427-32	Recovery Tank Mount	1	F016		1/2-13 Self-Locking Nut	2
6	7420-24	Heat Shield	1	F025		10-24 x 3/8 PPHMS	1
7	7420-27	Mount Bracket	1	F031		1/4-20 x 5/8 Hex Bolt	2
<b>Kit 7420-3 Spread Axle Kit/Less Wheels</b> Includes Items # 8-21, fasteners & instructions. May be ordered as a dealer-installed option. Contact your Walker dealer.				F039		3/8-16 x 1-1/4 Hex Bolt	2
8	7420-6	Washer (2-1/2)	1	F067		3/16 x 3/16 x 1 Key	1
9	7420-11	Mount, Spread Axle	1	F091		5/16-18 x 5/8 Hex Bolt	1
10	8769-8	Dust Cap, Deck Caster	2	F093		5/16-18 x 1 Hex Bolt	1
11	8769-6	Bearing Cone (1" ID)	4	F140		7/16-14 x 1 Hex Bolt	4
12	8769-5	Bearing Cup	4	F171		5/16-18 x 3/8 Set Screw	*
13	7420-4	Fork Mount Tube (Includes Items # 12 & 20)	1	F205		5/16-18 x 1/4 Set Screw	2
14	8769-7	Seal	2	F218		7/16 Split Lock Washer	4
15	7420-2	Tail Fork, Spread Axle	2	F344		3/4-16 Slotted Hex Nut	2
16	8039	Nut, Tail Wheel Axle	2	F347		3/4 SAE Washer	2
17	8038-1	Spacer, Tail Wheel Axle	2	F348		1/8 x 1-1/2 Cotter Pin	2
18	7038	Tail Wheel Axle (3/4 x 5-9/16)	2	F377		1/2-13 x 5 Hex Bolt	1
19	5683	Pivot Bearing	2	F423		1/2-13 x 6-1/2 Hex Bolt	1
20	5830	Grease Fitting	3	* Service Part Only			
21	7420-9	Pivot Shaft	1	<b>NOTE:</b> If equipped, existing dual tail wheels and tires can be reused with this kit. Order Kit # 7420-20 for two wheels and tires if tractor is equipped with a single wide tail wheel.			
<b>Kit 7247 Speed-Up Kit</b> Includes Items # 22-23 and instructions. May be ordered as a factory-installed option or as a kit for dealer installation. Contact your Walker dealer.				<b>NOTE:</b> Coolant Tank Relocation Kit 7420-8 is required with the Spread Tail Wheel Axle Kit.			
22	6238	Drive Belt (3VX345)	1	<b>NOTE:</b> Speed Up Kit used on Serial Number 02-60025 and after.			
23	7240-1	Jackshaft Drive Pulley (3-1/2/3V) (Includes Items # F067 & F171)	1				

Use only genuine Walker® replacement parts.

Effective Date 06-01-09

# SPREAD TAIL WHEEL AXLE KIT / SPEED UP KIT



Effective Date 06-01-09

Use only genuine Walker® replacement parts.

# TAIL WHEEL LOCK KIT / BLOWER LOCKOUT KIT / CASE-HARDENED BLOWER

ITEM NO.	PART NO.	DESCRIPTION	NO. REQ'D	ITEM NO.	PART NO.	DESCRIPTION	NO. REQ'D
<b>Kit 8540 Tail Wheel Lock Option / Kit</b> Includes Items # 1-29, fasteners listed & instructions. May be ordered as a dealer-installed option. Contact your Walker dealer.				<b>Kit 7541 Blower Lockout Kit</b> Includes Items # 30-36, fasteners and instructions. May be ordered as a kit for dealer installation. Contact your Walker dealer.			
1	5995-2	Switch Boot	1	30	7854	Plastic Tip, Red	*
2	8547	Switch Mount	1	31	6541-2	Blower Lockout Rod (Includes Item # 30)	1
3	8555	Decal, Tail Lock Switch	1	32	6541-1	Blower Lockout Latch	1
4	5995	Toggle Switch (Off-On)	1	33	5280	Clevis (1/4)	1
5	7942-4	Single Connector, Male	2*	34	5281-5	Clevis Pin (1/4 x 0.80)	1
6	5940-4	16-14 GA Spg. Loaded Term., Female	5*	35	6541-3	Blower Lockout Pivot Arm	1
7	5977-2	Grommet, Cut (1/8 x 3/8)	1	36	6541-4	Blower Lockout Belt Guide	1
8	5975-3	Cable Tie (50# x 7")	4	<b>Kit Case Hardened Scroll Option</b>			
9	8550	Wire Harness	1	37	7542-6	Blower Scroll (10.5) (Includes Item # 38)	*
10	5975-1	Cable Tie (18# x 3-3/4")	3	38	6542-50	Decal, "H" (5/8)	1
11	8553	Splice Tap (18-14 GA)	1	<b>Fasteners</b>			
12	8543	Solenoid Mount	1	F002	10-24 Keps Nut		4
13	5830-3	Grease Fitting (45 Degree)	1	F003	1/4-28 Hex Nut		2
14	8551	Ground Wire	1	F004	1/4-20 Keps Nut		5
15	8546	Solenoid, Control Module	1	F012	3/8-16 Keps Nut		2
16	5996	1/4 x 16-14 GA QDF Terminal	5*	F026	10-24 x 1/2 PPHMS		2
17	8552	Connector Plug & Wire Assy	1	F029	1/4-20 x 1/2 Hex Bolt		2
18	8544	Clevis (9/16)	1	F032	1/4-20 x 3/4 Hex Bolt		1
19	5551-1	Pivot Bearing	2*	F038	3/8-16 x 1 Hex Bolt		2
	8545-1	Pivot Bearing Assembly (Includes Items # 19, 20, F179 & F350)	*	F050	1/4 SAE Washer		2
20	8544-1	Bearing Spacer (1/4 ID x 9/16)	1*	F091	5/16-18 x 5/8 Hex Bolt		1
21	8542	Tail Wheel Fork, Locking	1	F134	AN960816L Washer		1
22	8944	3-Way Locking Connector, Male	1*	F179	1/4-20 x 1 Hex Bolt		2
23	8944-1	3-Way Locking Connector, Female	1*	F186	5/64 x 1/2 Cotter Pin		1
24	5940-5	16-14 GA Spg. Loaded Term., Male	1*	F190	#10 Internal Star Lock Washer		1
25	5996-13	16-14 GA Ring Term., #10	1*	F198	.250 x .625 x .040 Washer, SS		1
26	7929	Actuating Solenoid	1	F298	3/8-24 Jam Nut		1
27	8549	Sleeve, Delrin	1	F299	10-24 x 1 PPHMS		2
28	8541	Plunger Rod	1	F300	1.015 x 1.500 x .031 Washer		1
	8554	Solenoid & Mount Assembly (Includes Items # 12-15, 17-20, 26-28, F002, F003, F004, F029, F050, F179, F190, F198, F298, F299 & F350)	*	F325	1/4-20 x 3 Hex Bolt		1
29	7941-4	Circuit Breaker (25 Amp)	**	F350	1/4-20 LP Nylock		1

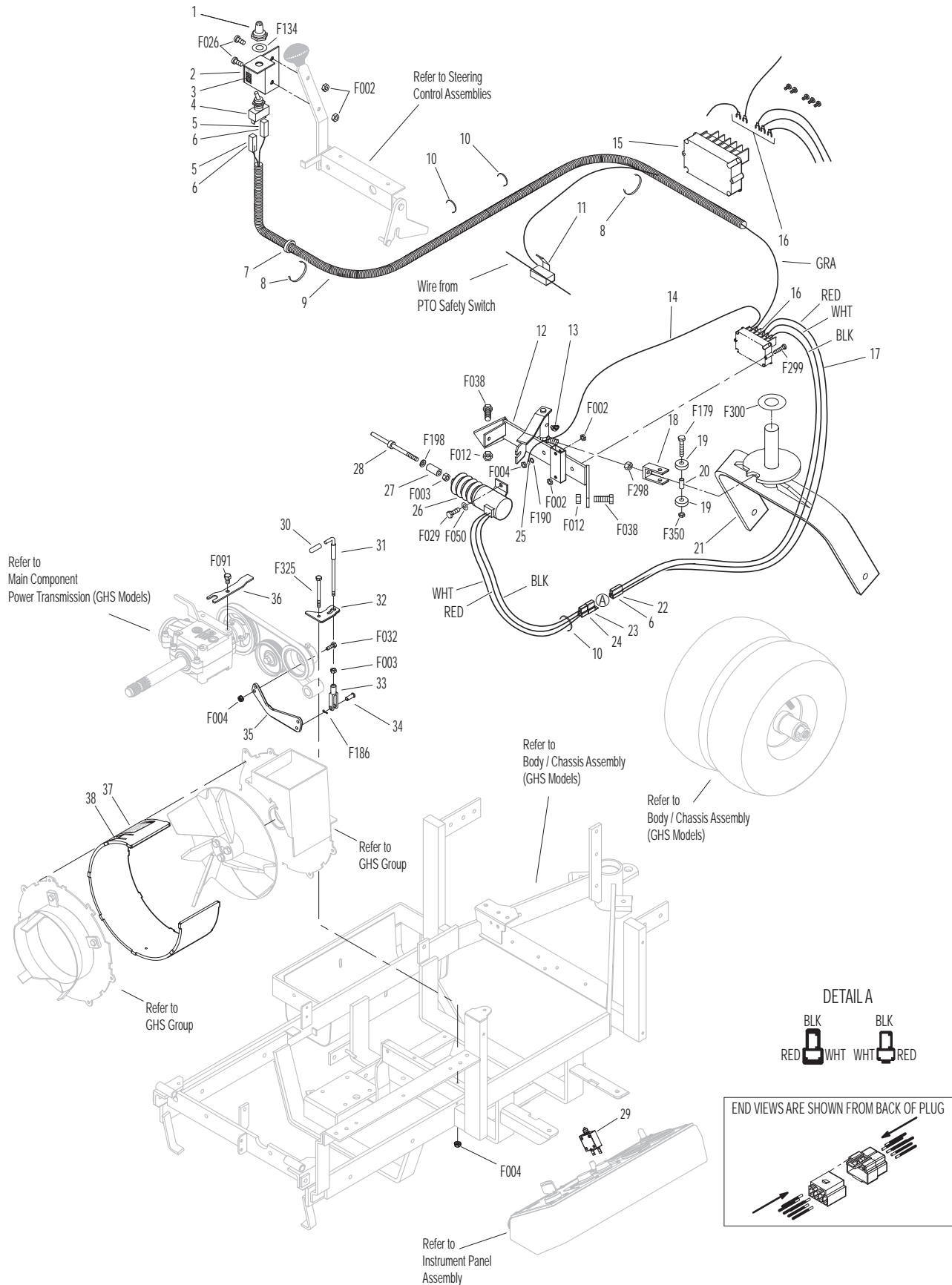
\* Service Part Only

\*\* Replaces P/N 7941-2 (Circuit Breaker, 10 Amp). Refer to **INSTRUMENT PANEL ASSEMBLY**, Page 36.

**NOTE:** Refer to **ELECTRICAL CONNECTORS**, Page 42 for identification of all Electrical Wiring Service Parts.



# TAIL WHEEL LOCK KIT / BLOWER LOCKOUT KIT / CASE-HARDENED BLOWER



# WIDE TAIL WHEEL / ALL-TERRAIN TIRE KIT & TIRE CHAIN SET

ITEM NO.	PART NO.	DESCRIPTION	NO. REQ'D
----------	----------	-------------	-----------

**Kit 8049 Wide Tail Wheel Option / Kit**  
Includes Items # 1, 3 and instructions. May be ordered as a dealer-installed option. Contact your Walker dealer.

1	8037-1	Seal, Outer (1-3/4 x 1-1/8)	2
2	8048	Wide Tail Wheel Axle	1
3	8045	Wide Tail Wheel & Tire (13 x 8.00-6)	1
	8045-1	Wide Tire (13 x 8.00-6)	*
	8047	Wheel & Hub (6 x 7)	*

**AT8072 All-Terrain Tire Option**

Includes Item # 4 and instructions. May be ordered as a dealer-installed option. Contact your Walker dealer.

4	8070-6	AT Wheel & Tire RH/LH (18 x 11-10)	2
	8070-7	AT Tire RH/LH (18 x 11-10)	*
	8070-8	AT/LP Wheel (10 x 8.5)	*
	8075-2	AT/LP Tire Tube (18 x 11-10)	*
5	8070-31	Wheel Spacer Plate (1/2)	2

ITEM NO.	PART NO.	DESCRIPTION	NO. REQ'D
----------	----------	-------------	-----------

**Kit LP8075 Low Profile Tire Option / Kit**  
Includes Item # 6 and instructions. May be ordered as a factory-installed option, or as a kit for dealer installation. Contact your Walker dealer.

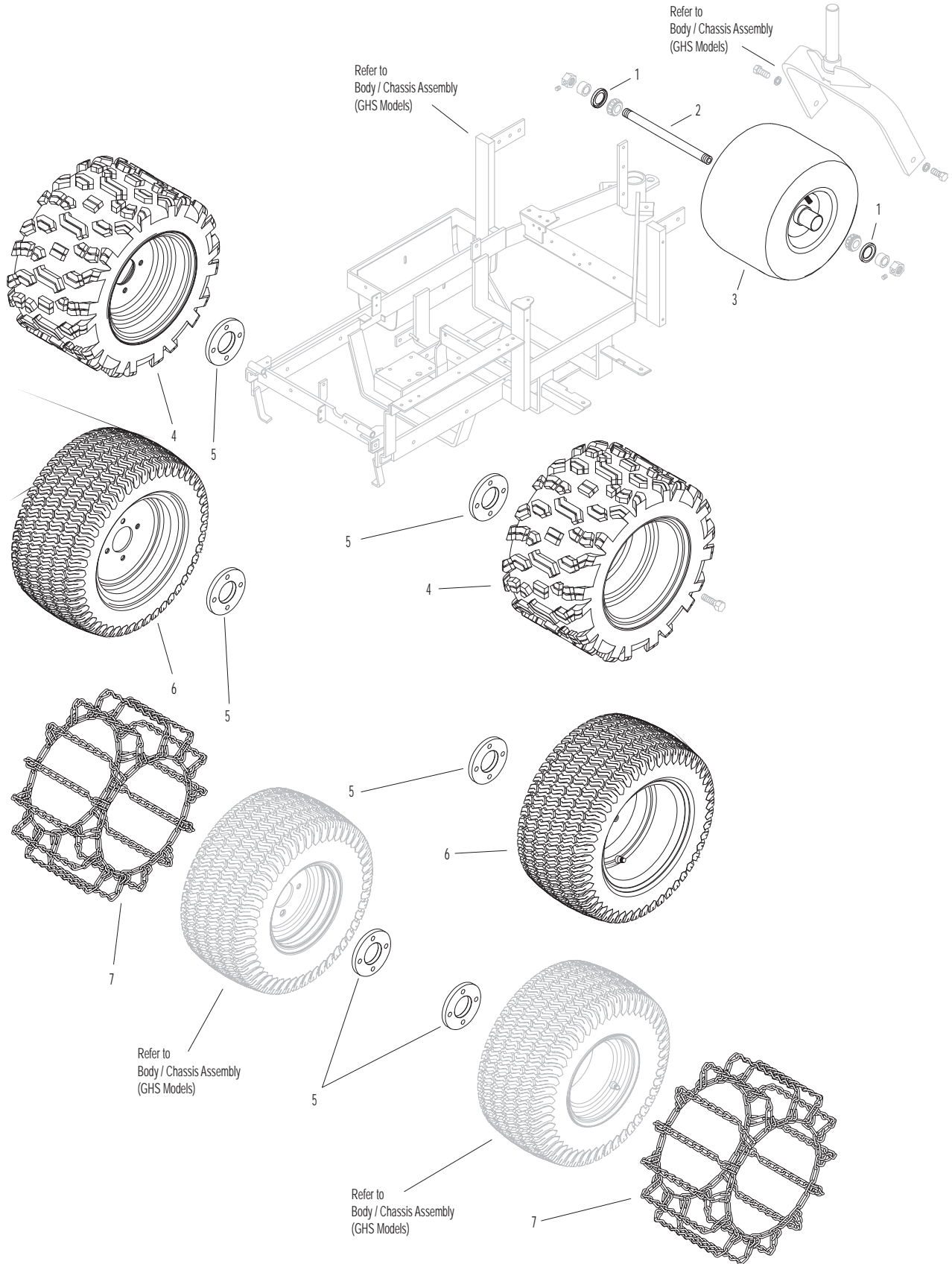
6	8075	LP Wheel & Tire (18 x 10.5-10)	2
	8075-1	LP Tire (18 x 10.5-10)	*
	8070-8	AT/LP Wheel (10 x 8.5)	*
	8075-2	AT/LP Tire Tube (18 x 11-10)	*

**Optional Tire Chain Set**

7	5675-3	Tire Chain Set (18 x 9.50-8)	1
---	--------	------------------------------	---

\* Service Part Only

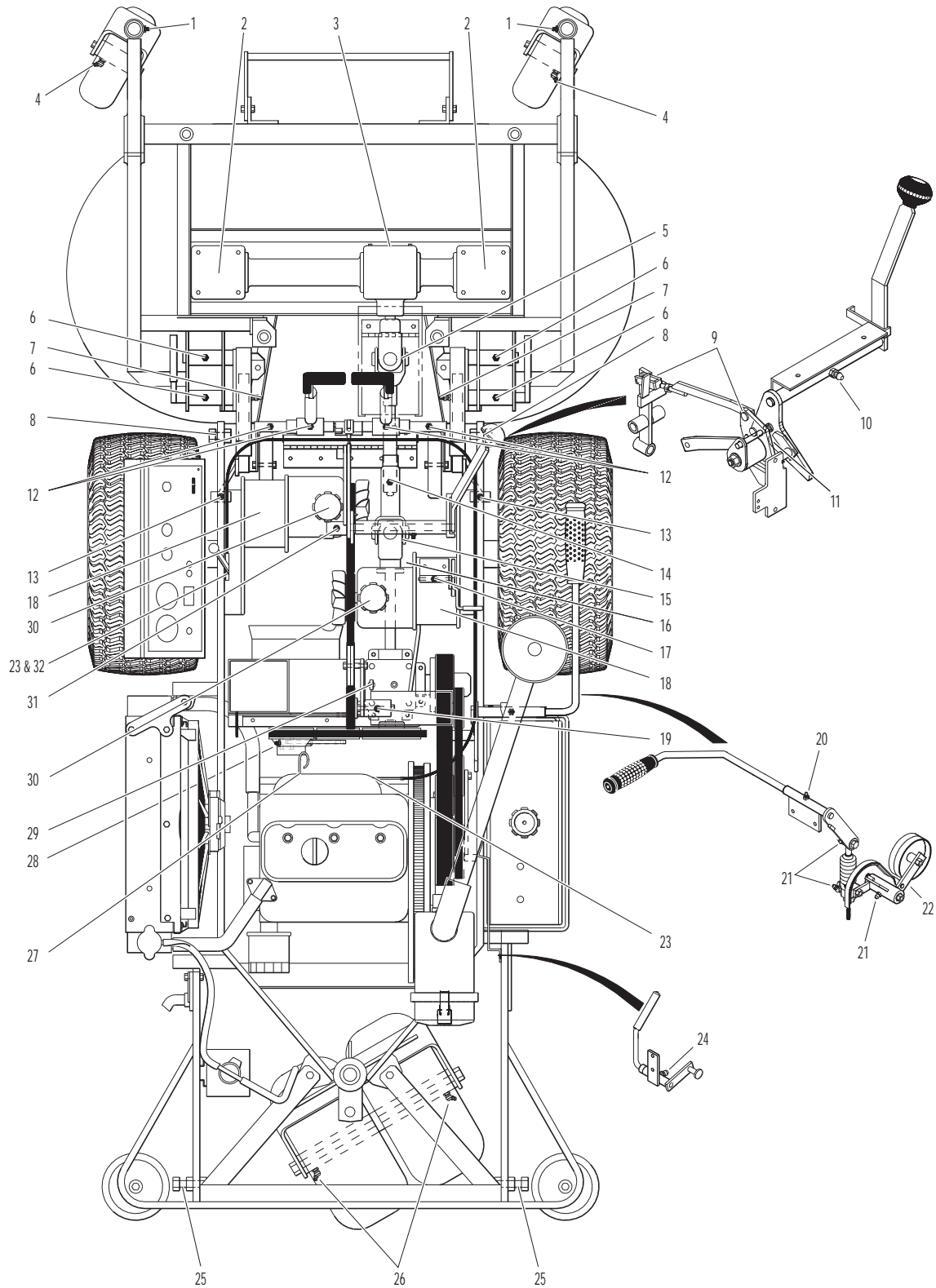
# WIDE TAIL WHEEL / ALL-TERRAIN TIRE KIT & TIRE CHAIN SET



# LUBRICATION POINTS

ITEM NO.	LOCATION	LUBRICATION TYPE	NO. PLACES	ITEM NO.	LOCATION	LUBRICATION TYPE	NO. PLACES
<b>Lubrication Points</b>				23	Throttle Control Cable Ends	Oil	2
1	Deck Caster Wheel Fork Pivot	Grease	2	24	Cold Start Lever	Grease	1
2	Blade Drive Gearbox	Oil*	2	25	Catcher Hinge Point	Oil	2
3	Tee Gearbox, Deck	Oil*	1	26	Rear Wheel Bearings	Grease	2
4	Deck Caster Wheel Bearing	Grease	2	27	Engine Dipstick / Oil Filler	Oil***	1
5	Universal Joint Shaft Assembly	Grease**	1	28	Belt Tightener Pivot, Blower Drive (GHS Model Only)	Grease	1
6	Pivot Assembly, Tilt-Up Deck	Grease	4	29	PTO Gearbox Dipstick	Oil***	1
7	Deck Support Arm Socket	Grease	2	30	Hydrostatic Drive	Oil***	2
8	Body Hinge Point	Oil	2	31	(FSC) Friction Body Pivot	Grease	1
9	FSC Actuator Rod Pivot Pins	Oil	2	32	Throttle Control Pivot	Oil	1
10	FSC Lever Pivot	Grease	1				
11	FSC Lever Fork (Grease Slide Area)	Grease	1	*	Gearboxes are permanently lubricated and sealed requiring no scheduled lubrication. Oil level should be checked only when an oil leak is noted.		
12	Steering Lever Pivot	Grease	4	**	Grease every eight (8) hours.		
13	Deck Support Arm Pivot	Grease	2	***	See Owner's Manual for procedure for checking and changing oil in Engine Crankcase, Hydrostatic Transmissions and Gear Axles.		
14	Deck-to-PTO Coupling (Grease Slide Area)	Grease	1	<b>NOTE:</b>	See Model MDD Owner's Manual (P/N 7000-8) for proper lubrication intervals.		
15	Universal Joint Tube Assembly	Grease**	1	<b>NOTE:</b>	DGHS42 Tilt-Up Mower Deck is shown for reference. For other Mower Deck Lubrication Points, Refer to Carrier Frames and Mower Decks <b>Illustrated Parts Manual</b> .		
16	Universal Joint Quick Connect Spline (Grease Slide Area)	Grease	1				
17	Parking Brake Lever	Grease	1				
18	Gear Axle	Oil***	2				
19	Belt Tightener Pivot, Ground Drive	Grease	1				
20	PTO Clutch Lever Pivot	Grease	1				
21	Clutch Actuator Push Rod	Grease	3				
22	Brake Actuator Rod and Brake Band Pivot Pins (Clevis)	Oil	1				

# LUBRICATION POINTS



# WIRING SCHEMATIC

## WALKER MODEL MDD Beginning S/N 2004-66313

IGNITION SWITCH CIRCUITS	
OFF	ALL OPEN
GLOW PLUG	30 + 19 + AC
START	30 + 17 + 50 + AC
RUN	30 + AC

30 = BATTERY  
17 = START / REVERSING MODULE  
19 = GLOW PLUGS  
50 = START  
AC = FUEL PUMP, FUEL SOLENOID  
GAUGES, AND FAN

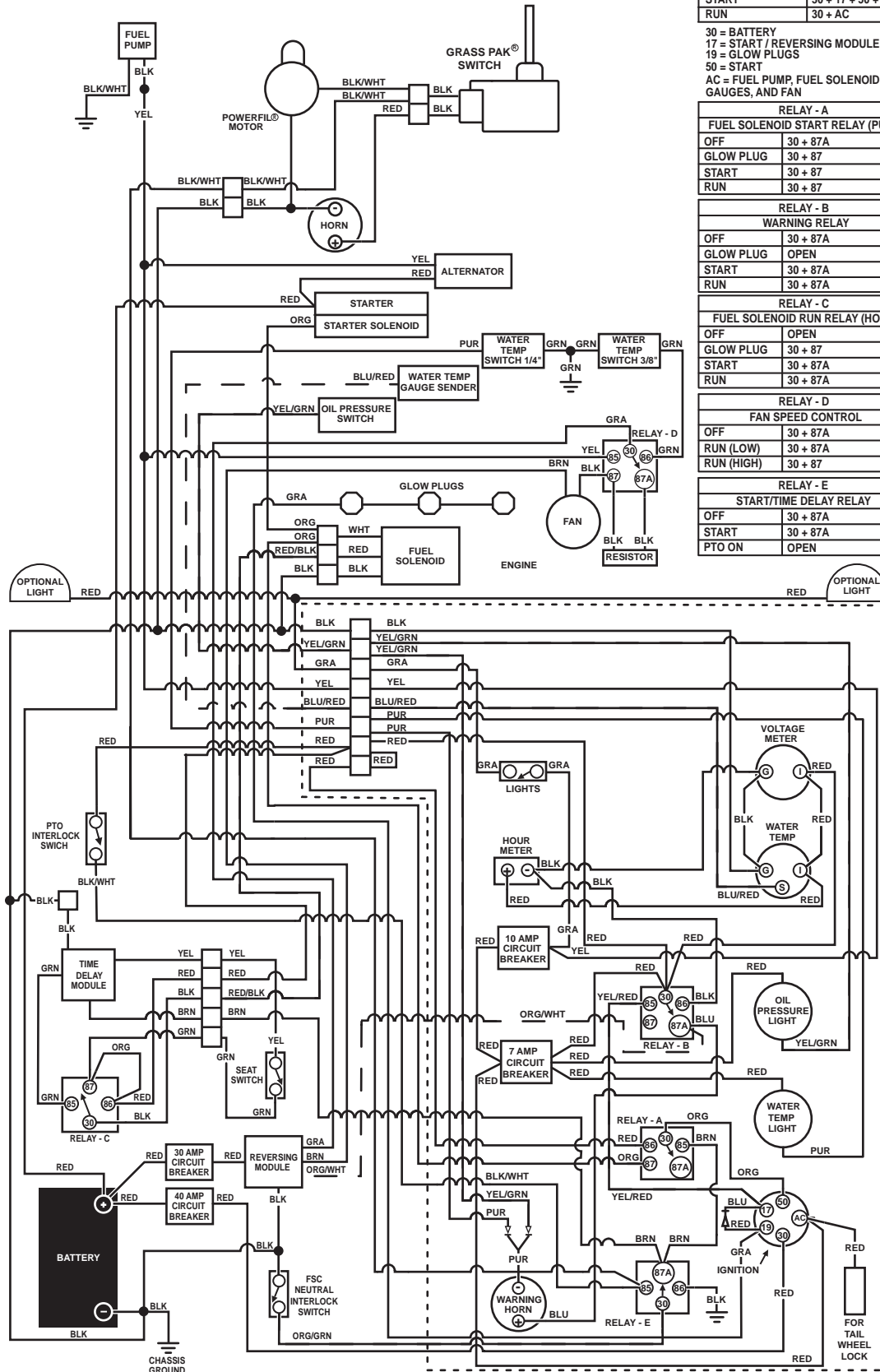
RELAY - A FUEL SOLENOID START RELAY (PULL)	
OFF	30 + 87A
GLOW PLUG	30 + 87
START	30 + 87
RUN	30 + 87

RELAY - B WARNING RELAY	
OFF	30 + 87A
GLOW PLUG	OPEN
START	30 + 87A
RUN	30 + 87A

RELAY - C FUEL SOLENOID RUN RELAY (HOLD)	
OFF	OPEN
GLOW PLUG	30 + 87
START	30 + 87A
RUN	30 + 87A

RELAY - D FAN SPEED CONTROL	
OFF	30 + 87A
RUN (LOW)	30 + 87A
RUN (HIGH)	30 + 87

RELAY - E START/TIME DELAY RELAY	
OFF	30 + 87A
START	30 + 87A
PTO ON	OPEN



Use only genuine Walker® replacement parts.

Effective Date 06-01-09

# LIMITED WARRANTY FOR WALKER COMMERCIAL RIDER MOWER

## 1. WHAT THIS WARRANTY COVERS, AND FOR HOW LONG:

Walker Manufacturing company will, at its option, repair or replace, without charge, any part covered by this warranty which is found to be defective in material and/or workmanship within one (1) year\* after date of sale to the original retail purchaser unless the product is used for rental purposes, in which case this warranty is limited to ninety (90) days. At Walker's request, customer will make the defective part available for inspection by Walker and/or return the defective part to Walker, transportation charges prepaid. All parts and components of the Walker Mower are covered by this warranty **except** the following components which are warranted separately by their respective manufacturers:

Kohler Engine  
Kubota Engine  
Kawasaki Engine  
Eaton Hydraulic Transmission  
Peerless Gearboxes  
Battery  
Tires

The available warranties covering these items are furnished with each mower. Walker does not assume any warranty obligation, liability or modification for these items, which are covered exclusively by the stated warranty of the respective manufacturers noted above.

\* An extended three (3) year warranty is offered on the Walker P/N 6200-9 Gear Axle Assembly.

## 2. WHAT THIS WARRANTY DOES NOT COVER:

- A. This warranty does not cover defects caused by depreciation or damage caused by normal wear, accidents, improper maintenance, improper use or abuse of the product, alterations, or failure to follow the instructions contained in the Owner's Manual for operation and maintenance.
- B. The customer shall pay any charges for making service calls and/or for transporting the mower to and from the place where the inspection and/or warranty work is performed.

## 3. HOW TO OBTAIN SERVICE UNDER THIS WARRANTY:

Warranty service can be arranged by contacting the dealer where you purchased the mower or by contacting Walker Manufacturing Company, 5925 East Harmony Road, Ft. Collins, CO 80528. Proof of the date of purchase may be required to verify warranty coverage.

## 4. WARRANTY LIMITATION:

- A. **THERE IS NO OTHER EXPRESS WARRANTY. ANY WARRANTY THAT MAY BE IMPLIED FROM THIS PURCHASE INCLUDING MERCHANTABILITY AND FITNESS FOR A PARTICULAR PURPOSE IS HEREBY LIMITED TO THE DURATION OF THIS WARRANTY AND TO THE EXTENT PERMITTED BY LAW ANY AND ALL IMPLIED WARRANTIES ARE EXCLUDED.** Some states do not allow limitations on how long an implied warranty lasts, so the above limitations may not apply to you.
- B. **WALKER WILL NOT BE LIABLE FOR ANY INCIDENTAL, CONSEQUENTIAL, OR SPECIAL DAMAGES AND/OR EXPENSES IN CONNECTION WITH THE PURCHASE OR USE OF THE MOWER.** Some states do not allow the exclusion or limitation of incidental or consequential damages, so the above limitation(s) or exclusion(s) may not apply to you.
- C. Only the warranty expressed in this limited warranty shall apply and no dealer, distributor, or individual is authorized to amend, modify, or extend this warranty in any way. Accordingly, additional statements such as dealer advertising or presentations, whether oral or written, do not constitute warranties by Walker, and should not be relied upon.
- D. This warranty gives you specific legal rights, and you may also have other rights which vary from state to state.

# WALKER MOWERS™

WALKER MFG. CO. • 5925 E. HARMONY ROAD, FORT COLLINS, CO 80528 • (970) 221-5614  
FORM NO. 060109      PRINTED IN USA      [www.walkermowers.com](http://www.walkermowers.com)      ©2009 WALKER MFG. CO