

Walker Rider Lawnmowers

ILLUSTRATED PARTS MANUAL

Model MDD (20.9 HP Diesel)



TM

CE

Effective Date:
05-01-04

P/N 7000-7
Price \$5.00

KEY TO ABBREVIATIONS USED IN THIS MANUAL

<i>Abbreviation</i>	<i>What it Represents</i>
° (Dimension)	Degrees (Angle)
" (Dimension)	inches
(-)	Negative (Polarity)
(+)	Positive (Polarity)
AT	All-Terrain
CCW	Counter-clockwise
Conn.	Connector
CW	Clockwise
D	Diameter
DGHS	Deck, Grass Handling System (number refers to size in inches)
DML	Deck, Mulching (number refers to size in inches)
DSD	Deck, Side Discharge (number refers to size in inches)
DU	Garlock (Bearing)
ESNA (Fastener)	Nylon Insert Locknut
FSC	Forward Speed Control
GA	Gauge
gal.	gallon
GHS	Grass Handling System
GR (Fastener)	Grade
HP	Horse Power
HT	Heat-Treated
ID	Identification or Inside Diameter
L	Length
LH	Left Hand (orientated with operator on seat)
LP	Low Profile
mm (Dimension)	millimeters
MS (Fastener)	Machine Screw
NS (as part number)	Item is not sold by Walker Manufacturing
OD	Outside Diameter
oz.	ounce
PFH (Fastener)	Phillips Flat Head
P/N	Part Number
PPH (Fastener)	Phillips Pan Head
PTH (Fastener)	Phillips Truss Head
PTO	Power Take-Off
QKS	Quick Slide
qt.	quart
RH	Right Hand (orientated with operator on seat)
SAE (Fastener)	Society of Automotive Engineers
SBH (Fastener)	Socket Button Head (Bolt)
SD	Side Discharge
SFH (Fastener)	Slotted Flat Head
SHC (Fastener)	Socket Head Cap
SHL (Fastener)	Shoulder (Bolt)
SM (Fastener)	Sheet Metal (Screw)
S/N	Serial Number
Spg.	Spring
SQH (Fastener)	Square Head
SS (Fastener)	Stainless Steel
ST (Fastener)	Self-Tapping (Screw)
Term.	Terminal
V	Volts

NOTE: In some instances, combinations of abbreviations may be used (e.g. PPHMS - Phillips Pan Head Machine Screw).

Use only genuine **Walker**[®] replacement parts.

Effective Date 05-01-04

ILLUSTRATED PARTS LIST

<i>Section of Mower Covered</i>	<i>Page</i>	<i>Section of Mower Covered</i>	<i>Page</i>
<hr/>		<hr/>	
Decals		Options and Kits	
Tractor Decals	2	Power Deck Lift Kit	44
Body / Chassis Assemblies		Armrest Kit / Touch-Up Paint	46
Body / Chassis Assembly (GHS Models)	4	Comfort Seat / Armrest Kit	48
Rear Body Assembly (GHS Models)	6	Suspension Seat Kit	50
Body Assembly (SD Models)	8	Light Kit	52
Tractor Components		Blower Lockout Kit / Case-Hardened Blower	54
Main Component Power Transmission		Speed Up Kit	56
(GHS Models)	10	Power Dump Kit	
(SD Models)	12	(7.0 Bushel GHS Models Only)	58
Engine Group	14	(9.5 Bushel GHS Models Only)	60
Air Intake And Exhaust Group	16	No Catch Deflector Kit / Tail Weight Kit	62
Radiator Group	18	Spread Tail Wheel Axle Kit	64
Hydrostatic Ground Drive Assemblies	20	Tail Wheel Lock Kit	66
Steering Control Assemblies	22	Wide Tail Wheel / All-Terrain Tire Kit &	
Throttle Control Assemblies	24	Tire Chain Set	68
Parking Brake Assembly	26	Maintenance	
GHS Group	28	Lubrication Points	70
GHS Powerfil® Assembly	30	Wiring Schematic	72
GHS 7.0 Bushel Catcher &		Warranty	
Exhaust Deflector Assemblies	32	Limited Warranty	73
GHS 9.5 Bushel Catcher Assembly	34		
Instrument Panel Assembly	36		
Electrical Components			
Electrical Assembly	38		
Electrical Assemblies			
(GHS 7.0 / 9.5 Bushel Components)	40		
Electrical Connectors	42		

TRACTOR DECALS

ITEM NO.	PART NO.	DESCRIPTION	LOCATION	NO. REQ'D. GHS	NO. REQ'D SD
Walker Product Decals					
1	7802	RH Fender	Body, RH Side near Seat	1	1
2	5856	Made in USA	Body, Spring Bracket	1	1
3	5803	Walker Manufacturing Logo	Body	1	1
4	5813-1	Powerfil®	7.0 / 9.5 Bushel Catcher, Front	1	0
5	5801	GHS	7.0 / 9.5 Bushel Catcher (one on each side)	2	0
6	5800	Walker Mower (4 x 7-1/2)	Utility Bed (one on each side)	0	2
7	5806	Blade Clutch	Body, RH Side	1	1
Danger Decals Warning Decals Caution Decals					
8	5804	Blower Blade Warning	Body near Body Chute	1	0
9	7818	Warning, Read Manual	Body	1	1
10	5868	Danger, Pinch Point	7.0 / 9.5 Bushel Catcher Mounting Frame Assembly (one on each side)	2	0
Maintenance Decals					
11	7809	Parking Brake	Body, RH Side below Seat	1	1
12	7820	Body Release Decal	Body, RH Side	1	1
13	7819	Throttle	Body, LH Side	1	1
14	5810-2	Reservoir	Hydrostatic Drives (one on each)	2	2
15	5810-1	Axle Oil Level	Gear Axle Drive Assemblies (one on each)	2	2
16	5819	Blower Maintenance	Blower Housing	1	0
17	6875	PTO Alignment Arrow	Universal Joint Tube Assembly	1	1
18	7827	Oil Level	Jackshaft Support	1	1
19	5874	Push to Release	7.0 / 9.5 Bushel Catcher Safety Latch	1	0
20	8825	Front Body Closure	Rear Cross Member, Body	1	1
21	5869	Removable Screen	7.0 / 9.5 Bushel Catcher Removable Screen	1	0
22	NS	Caution (19426-87881 Kubota)	Radiator	1	1
23	NS	Caution (19426-87903 Kubota)	Air Cleaner Cover	1	1
Option Decals*					
24	7633	Power Dump Switch	Body	1	0
25	8555	Tail Wheel Lock	FSC Lever Assembly - Switch Mount Bracket	1	1
26	8654	Power Deck Lift	Body, RH Side	1	1

* Option Decals applied only to units with corresponding Options installed.

NOTE: All parts requiring decals are shipped with decals applied.

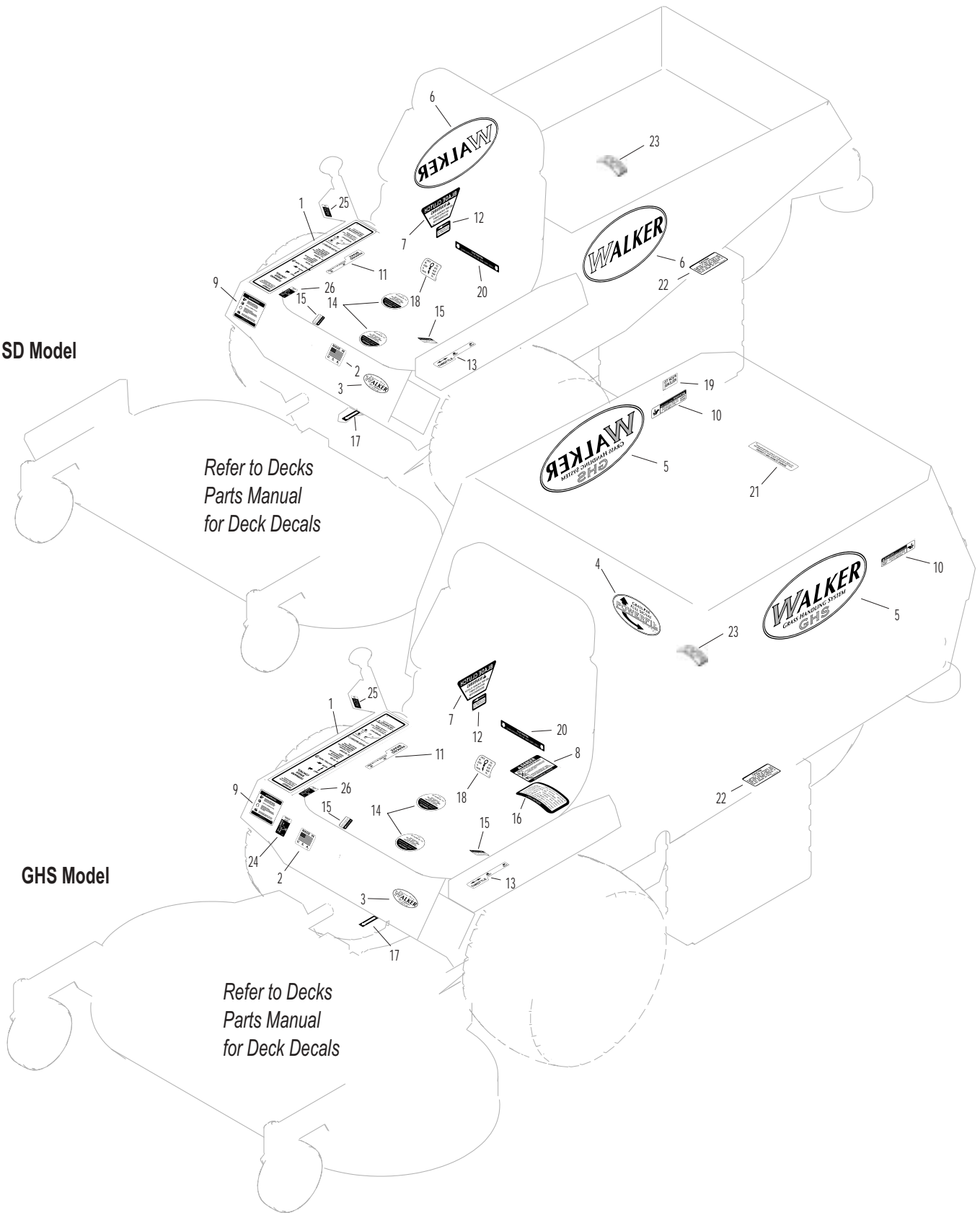
TRACTOR DECALS

SD Model

*Refer to Decks
Parts Manual
for Deck Decals*

GHS Model

*Refer to Decks
Parts Manual
for Deck Decals*



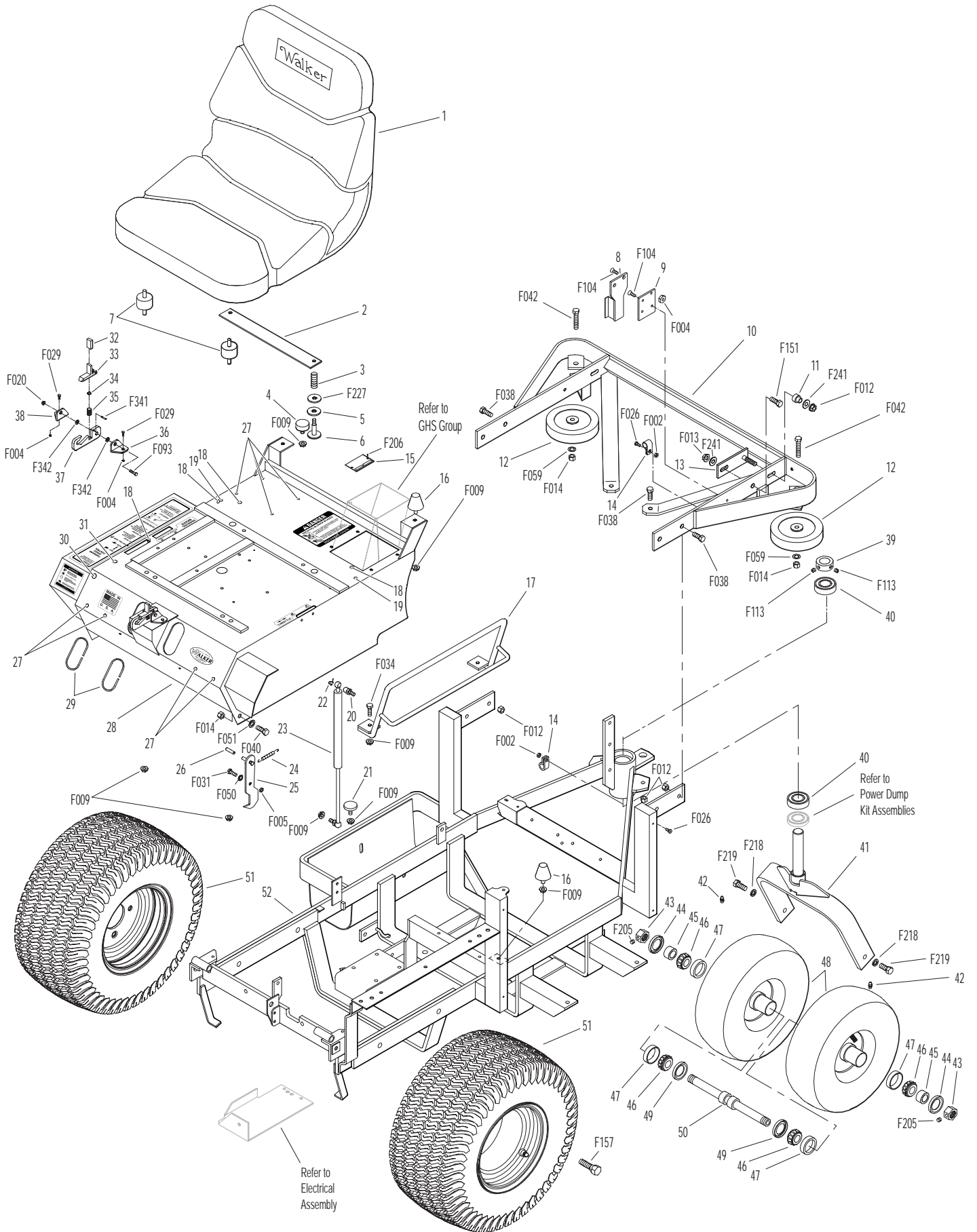
BODY / CHASSIS ASSEMBLY (GHS MODELS)

ITEM NO.	PART NO.	DESCRIPTION	NO. REQ'D	ITEM NO.	PART NO.	DESCRIPTION	NO. REQ'D
Seat Assembly				46	8037	Bearing Cone (3/4 ID)	4
1	5103	Seat	1	47	8037-2	Bearing Race	4
2	7203	Seat Spring Plate	1	48	8035	Tail Wheel & Tire (13 x 5.00-6) (With Bearing Race)	2
3	7223	Compression Spring (1/2 x 1)	2		7035-1	Tail Wheel Tire (13 x 5.00-6)	**
4	7845	Rubber Bumper (1.375 OD x .63)	2		8036	Tail Wheel & Hub (6 x 3.25) (Includes Items # 41 & 47)	**
5	7846	Washer (3/8 ID x 1-1/4 OD x 1/8)	2		7420-20	Dual Tail Wheel & Tire Assembly (Includes Items # 43-46 & 48-50)	**
6	7204	Shoulder Bolt, Seat Mount	2				
7	7440-5	Shock Mount (1-1/4 x 2)	2				
Rear Bumper Assembly (GHS Models Only)*				49	8768-2	Seal, Reverse Lip	2
8	NS	Recovery Tank Mount (19449-72502 Kubota)	1	50	8038	Tail Wheel Axle (3/4 x 10-3/8)	1
9	7047-5	Mount Plate	1	51	7070	Wheel & Tire (18 x 9.5-8)	2
10	7516-7	7.0 / 9.5 Rear Bumper	1		7070-1	Drive Tire (18 x 9.5-8)	**
11	7516-5	Catcher Pivot Bushing	2		5070-4	Wide Wheel (8 x 7)	**
12	5162	Roller Wheel (5" Rubber)	2	52	7300-5	Chassis Frame	1
13	7517-2	Catcher Pivot Plate	2	Fasteners			
14	5832	Cable Clamp (1/2)	2	F002	10-24 Keps Nut		2
Body Assembly				F004	1/4-20 Keps Nut		6
15	NS	Body ID Plate	1	F005	1/4-20 ESNA Nut		1
16	5845	Rubber Bumper (1.50 OD x 1.25)	4	F009	5/16-18 Whiz Locknut		13
17	7422	Panel Guard	1	F012	3/8-16 Keps Nut		8
18	5989-4	Dome Plug (3/8)	4	F013	3/8-16 Whiz Locknut		2
19	5989-3	Dome Plug (5/16)	2	F014	3/8-16 ESNA Nut		4
20	7146	13mm Ball Stud	2	F020	5/16-18 ESNA Nut		1
21	7844	Rubber Bumper (1.25 OD x .25)	1	F026	10-24 x 1/2 PPHMS		2
22	7147	Spring Clip	2	F029	1/4-20 x 1/2 Hex Bolt		2
23	7145	Gas Spring Assembly (Includes Items # 20 & 22)	1	F031	1/4-20 x 5/8 Hex Bolt		1
24	7222	Extension Spring (1-1/4 x 3)	1	F034	5/16-18 x 3/4 Hex Bolt		2
25	7383-1	Body Latch Hook	1	F038	3/8-16 x 1 Hex Bolt		6
26	7854	Plastic Tip, Red	1	F040	3/8-16 x 1-1/2 Hex Bolt		2
27	5989-9	Dome Plug (1/4)	8	F042	3/8-16 x 2-1/4 Hex Bolt		2
28	7100	Front Body	1	F050	1/4 SAE Washer		1
29	5180	Edge Molding, Lever Opening	2	F051	3/8 SAE Washer		2
30	5989-55	Dome Plug (1/2)	1	F059	3/8 Wave Spring Washer		2
31	5989-5	Dome Plug (7/16)	1	F093	5/16-18 x 1 Hex Bolt		1
Tilt-Up Latch Assembly***				F104	1/4-20 x 3/4 PFH Bolt		4
32	5847	Plastic Tip	1	F113	5/16-18 x 5/16 Set Screw		2
33	5744-20	Spring Arm, Tilt-Up Latch	1	F151	3/8-16 x 7/8 Hex Bolt		2
34	5744-10	Spring Pivot Bushing	1	F157	1/2-20 x 1-1/4 Wheel Lug Bolt		8
35	5744-15	Compression Spring (3/8 x 5/8)	1	F205	5/16-18 x 1/4 Set Screw, Knurl Point		2
36	5744-13	Mount Angle, LH	1	F206	#2 x 3/16 Drive Pin		2
37	5744-12	Hook, Tilt-Up Latch	1	F218	7/16 Split Lock Washer		2
38	5744-14	Mount Angle, RH	1	F219	7/16-14 x 1-1/4 Hex Bolt		2
Chassis Assembly				F227	3/8 x 1-1/4 x 1/8 Plastic Washer		2
39	5267-1	Retainer Collar (1") (Includes Item # F113)	1	F241	.375 x .875 x .10 Washer		4
40	5270-1	Pivot Bearing	2	F341	Coil Roll Pin (7/64 x 9/16)		1
41	7420	Tail Wheel Fork	1	F342	5/16 Conical Washer		2
42	5830-3	Grease Fitting (45 Degree)	2	* Rear Bumper Assembly for SD Models is not shown here. Refer to BODY ASSEMBLY (SD MODELS) , Page 8.			
43	8039	Nut, Tail Wheel Axle	2	** Service Part Only			
44	8037-1	Seal, Tail Wheel Axle	2	*** Complete Tilt-Up Latch Assembly Kit available by ordering kit # 5747.			
45	8038-1	Spacer, Tail Wheel Axle	2				

Use only genuine **Walker**® replacement parts.

Effective Date 05-01-04

BODY / CHASSIS ASSEMBLY (GHS MODELS)



Effective Date 05-01-04

Use only genuine Walker® replacement parts.

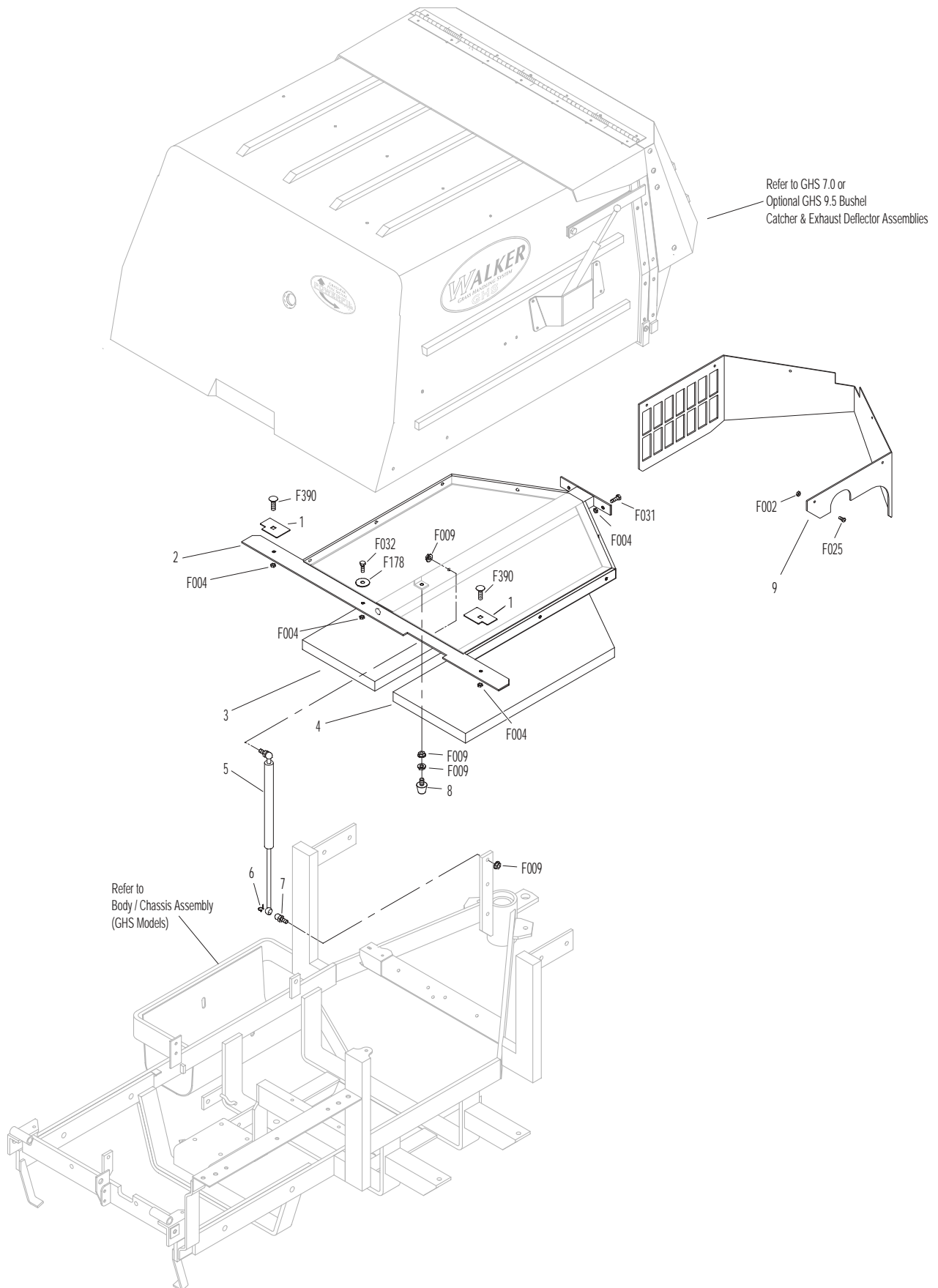
REAR BODY ASSEMBLY (GHS MODELS)

ITEM NO.	PART NO.	DESCRIPTION	NO. REQ'D	ITEM NO.	PART NO.	DESCRIPTION	NO. REQ'D
Rear Body Assembly (GHS Models)				Fasteners			
1	8515-10	Catcher Reinforcing Plate	2	F002		10-24 Keps Nut	6
2	7515-2	Catcher Support Frame	1	F004		1/4-20 Keps Nut	5
3	7190-2	Insulation Foam Pad, RH	1	F009		5/16-18 Whiz Locknut	4
4	7190-1	Insulation Foam Pad, LH	1	F025		10-24 x 3/8 PPHMS	6
5	7145	Gas Spring Assembly (Includes Items # 6 & 7)	1	F031		1/4-20 x 5/8 Hex Bolt	2
6	7147	Spring Clip	2	F032		1/4-20 x 3/4 Hex Bolt	1
7	7146	13mm Ball Stud	2	F178		1/4 x 1 Fender Washer	1
8	5845	Rubber Bumper (1.50 x 1.25)	1	F390		1/4-20 x 7/8 Carriage Bolt	2
9	7105-5	Rear Body Panel	1				

NOTE: Rear Bumper Assembly for GHS Models is not shown here. Refer to **BODY / CHASSIS ASSEMBLY (GHS MODELS)**, Page 4.

NOTE: Decals for this assembly are not shown here. Refer to **TRACTOR DECALS**, Page 2 for Decal listing and placement information.

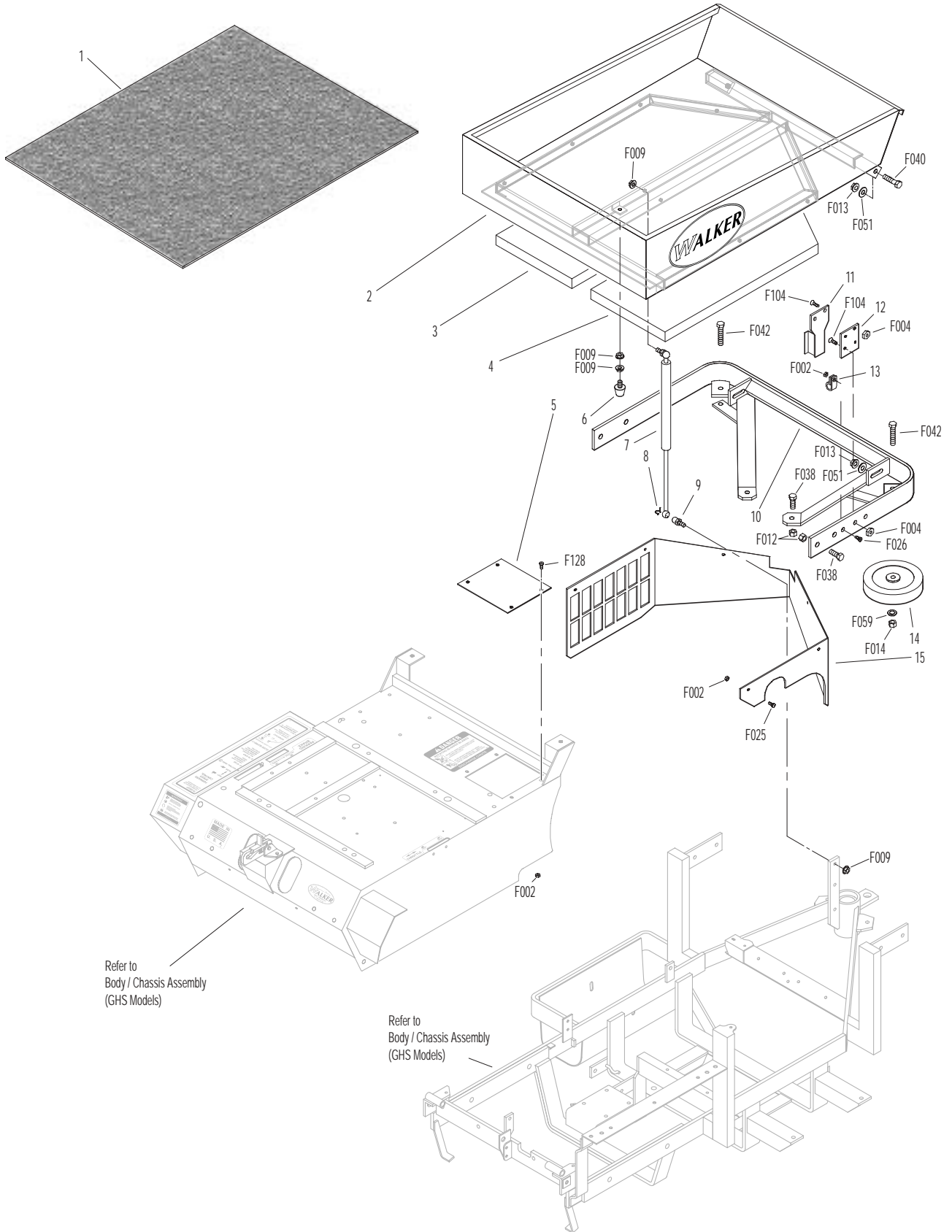
REAR BODY ASSEMBLY (GHS MODELS)



BODY ASSEMBLY (SD MODELS)

ITEM NO.	PART NO.	DESCRIPTION	NO. REQ'D	ITEM NO.	PART NO.	DESCRIPTION	NO. REQ'D
Utility Bed Assembly				Fasteners			
1	8650-10	Bed Liner (21.5 x 27.5)	1	F002		10-24 Keps Nut	11
2	7650-3	Utility Bed	1	F004		1/4-20 Keps Nut	4
3	7190-2	Insulation Foam Pad, RH	1	F009		5/16-18 Whiz Locknut	4
4	7190-1	Insulation Foam Pad, LH	1	F012		3/8-16 Keps Nut	6
Rear Bumper Assembly (SD Models)				F013		3/8-16 Whiz Locknut	4
5	7153-3	Cover Plate	1	F014		3/8-16 ESNA Nut	2
6	5845	Rubber Bumper (1.50 x 1.25)	1	F025		10-24 x 3/8 PPHMS	6
7	7145	Gas Spring Assembly (Includes Items # 8 & 9)	1	F026		10-24 x 1/2 PPHMS	1
8	7147	Spring Clip	2	F038		3/8-16 x 1 Hex Bolt	6
9	7146	13mm Ball Stud	2	F040		3/8-16 x 1-1/2 Hex Bolt	2
10	7521-5	Rear Bumper	1	F042		3/8-16 x 2-1/4 Hex Bolt	2
11	NS	Recovery Tank Mount (19449-72502 Kubota)	1	F051		3/8 SAE Washer	4
12	7047-5	Mount Plate	1	F059		3/8 Wave Spring Washer	2
13	5832	Cable Clamp (1/2)	2	F104		1/4-20 x 3/4 PFH Bolt	4
14	5162	Roller Wheel (5" Rubber)	2	F128		10-24 x 3/8 PTHMS	4
15	7105-5	Rear Body Panel	1	NOTE: Refer to BODY / CHASSIS ASSEMBLY (GHS MODELS) , Page 4 for all common parts used on both models.			

BODY ASSEMBLY (SD MODELS)



MAIN COMPONENT POWER TRANSMISSION (GHS MODELS)

ITEM NO.	PART NO.	DESCRIPTION	NO. REQ'D	ITEM NO.	PART NO.	DESCRIPTION	NO. REQ'D
Clutch Lever Assembly				Ground Drive Release Assembly			
1	5830	Grease Fitting	4	38	7245-1	Idler Pulley (3/8 Groove)	1
2	5229	Extension Spring (1/2 x 2-1/4)	1	39	7374	Ground Drive Tightener Arm	1
3	7243	Clutch Idler Pulley	1	40	7390	Idler Arm Guide	1
4	7368-2	PTO Belt Tightener (1.75 TAB)	1	41	7406-1	Handle Grip, Red	1
5	7201-3	DU Bearing	6	42	7376	Handle, Ground Release (Includes Item # 41)	1
6	7201-6	Inner Race (3-5/8)	1	43	5221	Extension Spring (3/4 x 4)	1
7	7303-9	Clutch Actuator Block	1	44	7854	Plastic Tip, Red	1
8	7226	Compression Spring (3/4 x 2-1/2)	1	45	7375	Ground Drive Release Arm (Includes Item # 44)	1
9	7380	Knuckle Joint	1	46	7225	Compression Spring (7/16 x 1/2)	1
10	5830-3	Grease Fitting (45 Degree)	1	Fasteners			
11	7303-7	Clutch Actuator Rod	1	F002	10-24 Keps Nut		2
12	7378	Pivot Bearing (7/16 x 9/16)	1	F004	1/4-20 Keps Nut		4
13	7358	Clutch Lever (Includes Items # 1 & 14)	1	F005	1/4-20 ESNA Nut		2
14	7860	Handle Grip	1	F009	5/16-18 Whiz Locknut		3
PTO Drive Shaft Assembly				F012	3/8-16 Keps Nut		4
15	5832	Cable Clamp (1/2)	1	F013	3/8-16 Whiz Locknut		2
16	7857	Mount Bracket	1	F026	10-24 x 1/2 PPHMS		1
17	7050-1	Dipstick, Gearbox	1	F029	1/4-20 x 1/2 Hex Bolt		1
18	8377	Brake Band Guide	1	F035	5/16-18 x 1-1/4 Hex Bolt		2
19	7050-11	PTO Gearbox / Flange Pulley	1	F041	3/8-16 x 1-3/4 Hex Bolt		1
20	7248	Ground Drive Belt, Micro-V	1	F042	3/8-16 x 2-1/4 Hex Bolt		2
21	7275-15	Universal Joint Tube Assembly / Spline	1	F047	3/8-16 x 4-1/2 Hex Bolt		1
22	7303-2	Brake Band (13-5/8)	1	F050	1/4 SAE Washer		1
23	7236-1	PTO Drive Pulley (4-1/2 / 3V) (Includes Items # F168 & F226)	1	F060	AN960516 Washer		2
24	7237-30	Engine Pulley (Flywheel Mount) (Includes Item # F221)	1	F061	1/4 Internal Star Lock Washer		1
25	7230	Engine PTO Belt	1	F067	3/16 x 3/16 x 1 Key		2
26	6231	Engine Jackshaft Belt (3VX355)	1	F069	3/32 x 1/2 Cotter Pin		1
Jackshaft Assembly				F076	3/8-16 x 5/8 SQH Set Screw		1
27	7240-3	Jackshaft Drive Pulley (4.15/3V) (Includes Items # F067 & F171)	1	F091	5/16-18 x 5/8 Hex Bolt		1
28	5268	Bearing with Collar (3/4)	2	F108	3/8-16 x 2 Hex Bolt		1
29	7273	Jackshaft (3/4 x 8-7/8)	1	F116	1/4-20 x 1-1/4 Hex Bolt		1
30	7393-2	Jackshaft Mount	1	F132	1/4-20 x 2-3/4 Hex Bolt		2
	7394-3	Jackshaft Mount Assembly (Includes Items # 1, 5, 28, 29 & 32)	*	F167	5/16-18 Hex Nut		1
31	5841	Retainer Washer (3/8 x 1-1/4)	1	F168	5/16 Split Lock Washer		5
32	7201-4	Inner Race (1-1/2)	2	F171	5/16-18 x 3/8 Set Screw		4
33	7349-50	Idler Arm	1	F178	1/4 x 1 Fender Washer		1
34	7349-2	Extension Spring (3/4 x 4)	1	F187	1/4-20 x 1-1/2 Hex Bolt		2
35	6325-3	Spacer Bushing (9/16)	1	F221	M8 x 1.25 x 16 PFH Bolt		5
36	5245	Idler Pulley (3")	1	F226	5/16-18 x 7/8 Hex Bolt		4
37	7241-2	Transmission Drive Pulley (3-1/4/MV) (Includes Item # F067 & F171)	1	F245	3/8-24 x 7/8 SFH Cap Screw		1
				F252	10-24 x 3/4 PPHMS		1
				F275	5/16-18 x 2 Hex Bolt		1
				F288	5/16-18 ESNA Jam Nut		1
				* Service Part Only			

Use only genuine **Walker**[®] replacement parts.

Effective Date 05-01-04

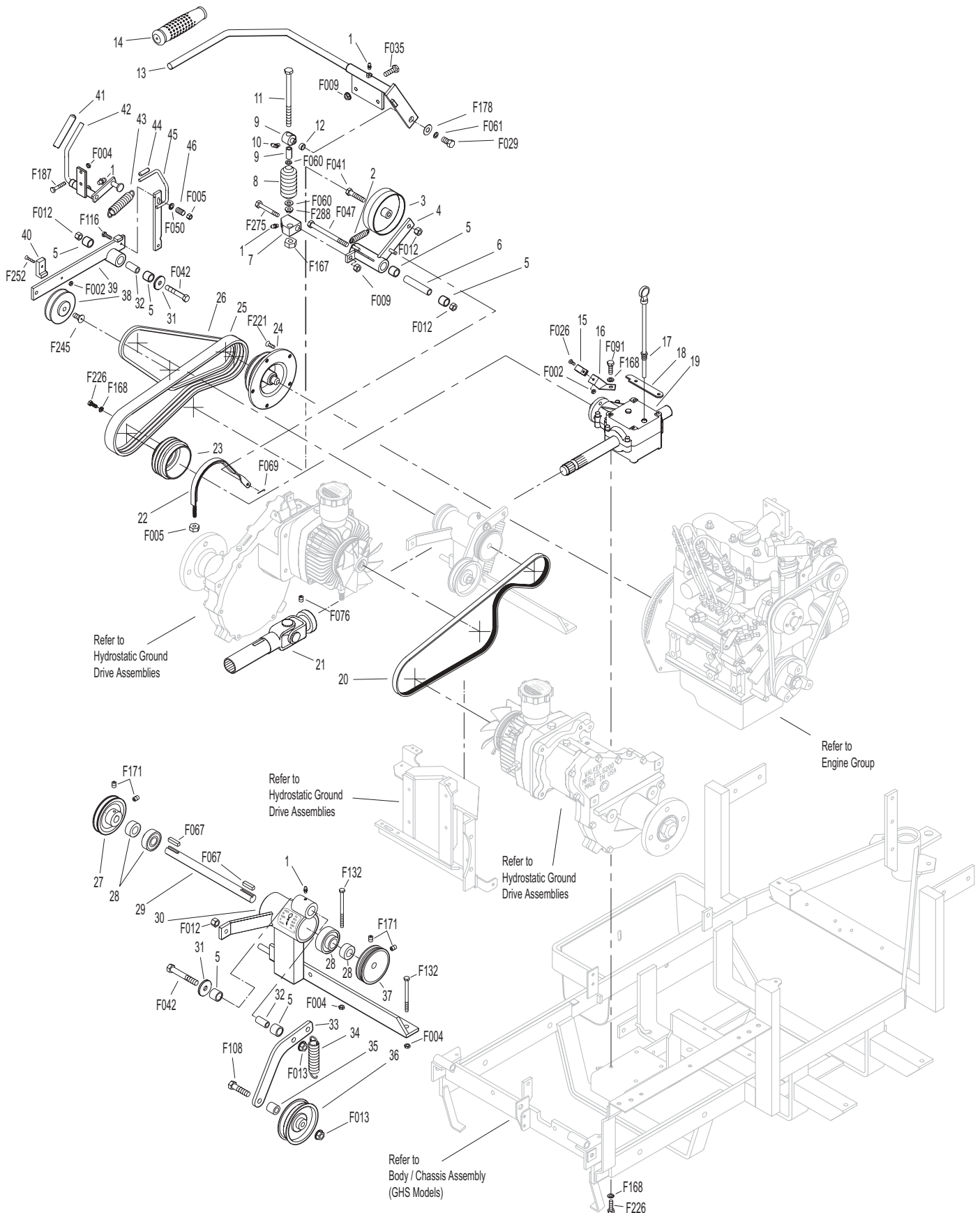
MAIN COMPONENT POWER TRANSMISSION (SD MODELS)

ITEM NO.	PART NO.	DESCRIPTION	NO. REQ'D	ITEM NO.	PART NO.	DESCRIPTION	NO. REQ'D
Clutch Lever Assembly				Ground Drive Release Assembly			
1	5830	Grease Fitting	4	38	7245-1	Idler Pulley (3/8 Groove)	1
2	5229	Extension Spring (1/2 x 2-1/4)	1	39	7374	Ground Drive Tightener Arm	1
3	7243	Clutch Idler Pulley	1	40	7390	Idler Arm Guide	1
4	7368-2	PTO Belt Tightener (1.75 TAB)	1	41	7406-1	Handle Grip, Red	1
5	7201-3	DU Bearing	6	42	7376	Handle, Ground Release (Includes Item # 41)	1
6	7201-6	Inner Race (3-5/8)	1	43	5221	Extension Spring (3/4 x 4)	1
7	7303-9	Clutch Actuator Block	1	44	7854	Plastic Tip, Red	1
8	7226	Compression Spring (3/4 x 2-1/2)	1	45	7375	Ground Drive Release Arm (Includes Item # 44)	1
9	7380	Knuckle Joint	1	46	7225	Compression Spring (7/16 x 1/2)	1
10	5830-3	Grease Fitting (45 Degree)	1	Fasteners			
11	7303-7	Clutch Actuator Rod	1	F002	10-24 Keps Nut		2
12	7378	Pivot Bearing (7/16 x 9/16)	1	F004	1/4-20 Keps Nut		4
13	7358	Clutch Lever (Includes Items # 1 & 14)	1	F005	1/4-20 ESNA Nut		2
14	7860	Handle Grip	1	F009	5/16-18 Whiz Locknut		3
PTO Drive Shaft Assembly				F012	3/8-16 Keps Nut		4
15	5832	Cable Clamp (1/2)	1	F013	3/8-16 Whiz Locknut		2
16	7857	Mount Bracket	1	F026	10-24 x 1/2 PPHMS		1
17	7050-1	Dipstick, Gearbox	1	F029	1/4-20 x 1/2 Hex Bolt		1
18	8377	Brake Band Guide	1	F035	5/16-18 x 1-1/4 Hex Bolt		2
19	7050-11	PTO Gearbox / Flange Pulley	1	F041	3/8-16 x 1-3/4 Hex Bolt		1
20	7248	Ground Drive Belt, Micro-V	1	F042	3/8-16 x 2-1/4 Hex Bolt		2
21	7275-15	Universal Joint Tube Assembly / Spline	1	F047	3/8-16 x 4-1/2 Hex Bolt		1
22	7303-2	Brake Band (13-5/8)	1	F050	1/4 SAE Washer		1
23	7236-1	PTO Drive Pulley (4-1/2 / 3V) (Includes Items # F168 & F226)	1	F060	AN960516 Washer		2
24	7237-30	Engine Pulley (Flywheel Mount) (Includes Item # F221)	1	F061	1/4 Internal Star Lock Washer		1
25	7230	Engine PTO Belt	1	F067	3/16 x 3/16 x 1 Key		2
26	6231	Engine Jackshaft Belt (3VX355)	1	F069	3/32 x 1/2 Cotter Pin		1
Jackshaft Assembly				F076	3/8-16 x 5/8 SQH Set Screw		1
27	7240-3	Jackshaft Drive Pulley (4.15/3V) (Includes Items # F067 & F171)	1	F091	5/16-18 x 5/8 Hex Bolt		1
28	5268	Bearing with Collar (3/4)	2	F108	3/8-16 x 2 Hex Bolt		1
29	7273	Jackshaft (3/4 x 8-7/8)	1	F116	1/4-20 x 1-1/4 Hex Bolt		1
30	7393-2	Jackshaft Mount	1	F132	1/4-20 x 2-3/4 Hex Bolt		2
	7394-3	Jackshaft Mount Assembly (Includes Items # 1, 5, 28, 29 & 32)	*	F167	5/16-18 Hex Nut		1
31	5841	Retainer Washer (3/8 x 1-1/4)	1	F168	5/16 Split Lock Washer		5
32	7201-4	Inner Race (1-1/2)	2	F171	5/16-18 x 3/8 Set Screw		4
33	7349-50	Idler Arm	1	F178	1/4 x 1 Fender Washer		1
34	7349-2	Extension Spring (3/4 x 4)	1	F187	1/4-20 x 1-1/2 Hex Bolt		2
35	6325-3	Spacer Bushing (9/16)	1	F221	M8 x 1.25 x 16 PFH Bolt		5
36	5245	Idler Pulley (3")	1	F226	5/16-18 x 7/8 Hex Bolt		4
37	7241-2	Transmission Drive Pulley (3-1/4/MV) (Includes Items # F067 & F171)	1	F245	3/8-24 x 7/8 SFH Cap Screw		1
				F252	10-24 x 3/4 PPHMS		1
				F275	5/16-18 x 2 Hex Bolt		1
				F288	5/16-18 ESNA Jam Nut		1
				* Service Part Only			

Use only genuine **Walker**[®] replacement parts.

Effective Date 05-01-04

MAIN COMPONENT POWER TRANSMISSION (SD MODELS)



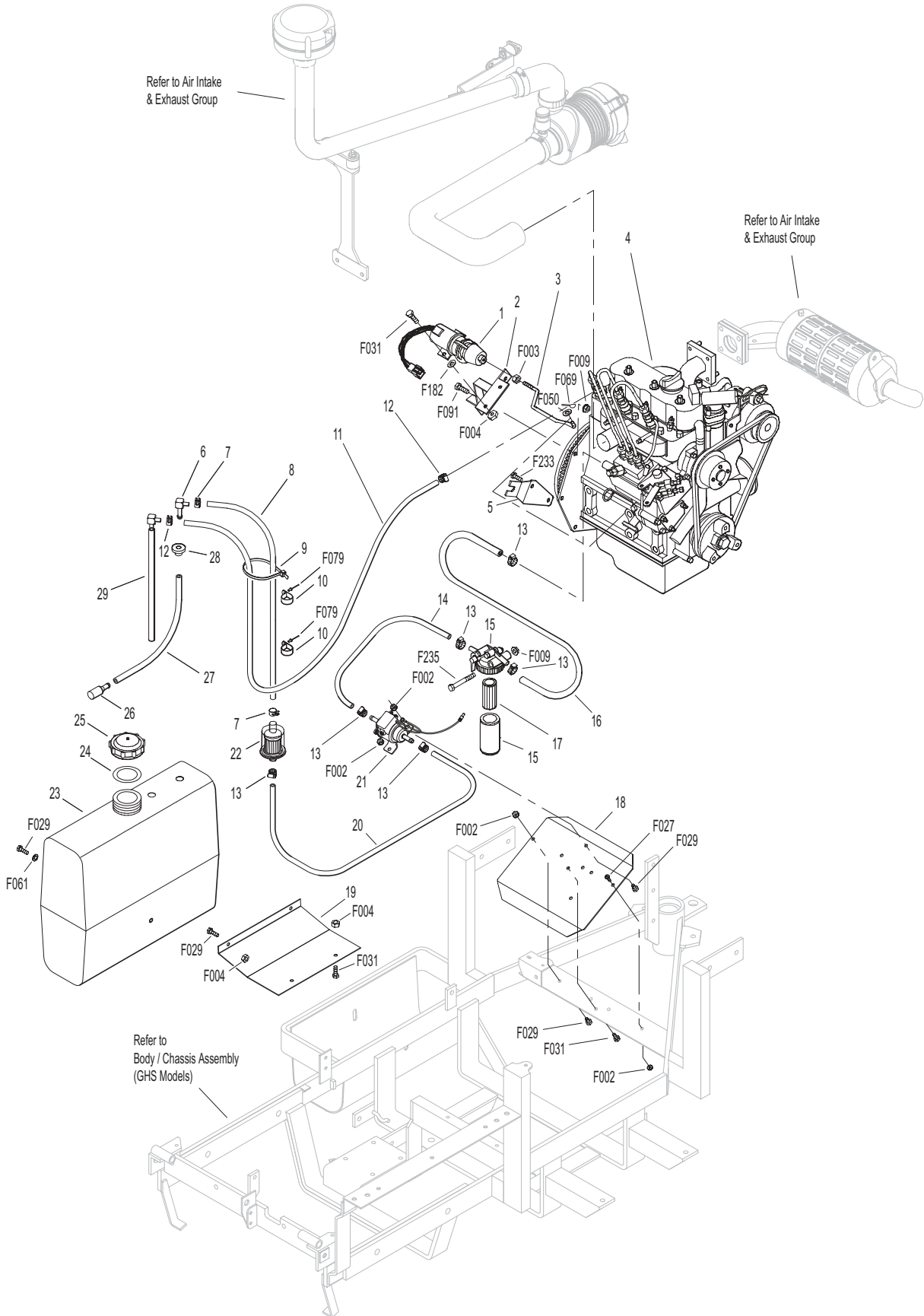
Effective Date 05-01-04

Use only genuine Walker® replacement parts.

ENGINE GROUP

ITEM NO.	PART NO.	DESCRIPTION	NO. REQ'D	ITEM NO.	PART NO.	DESCRIPTION	NO. REQ'D
Engine Assembly				26	5020-1	Fuel Filter, In Tank	1
1	7929	Actuating Solenoid	1	27	5086	Fuel Line (In Tank P/U)	1
2	7343	Solenoid Mount	1	28	5083-1	Bushing, Rubber	*
3	7305	Solenoid Linkage Rod	1	29	7046-1	Fuel Return Tube	1
4	NS	Kubota Diesel Engine (D 722 Kubota)	1	Fasteners			
5	7341	Throttle Cable Mount Bracket	1	F002	10-24 Keps Nut		4
Fuel Tank Assembly				F003	1/4-28 Hex Nut		1
6	5083-2	Tank Tube Elbow	1	F004	1/4-20 Keps Nut		6
7	5879-3	Hose Clamp (1/2)	2	F009	5/16-18 Whiz Locknut		2
8	7015-14	Hose (1/4 x 16-1/2)	1	F027	10-24 x 5/8 PPHMS		3
9	5975-3	Cable Tie (50# x 7")	1	F029	1/4-20 x 1/2 Hex Bolt		5
10	7833	Cable Clamp (7/8 x 1/4)	2	F031	1/4-20 x 5/8 Hex Bolt		5
11	7015-12	Hose (3/16 x 32)	1	F050	1/4 SAE Washer		1
12	5879-2	Hose Clamp, Silver (7/16)	2	F061	1/4 Internal Star Lock Washer		1
13	7840-2	Hose Clamp (1/4 to 5/8)	6	F069	3/32 x 1/2 Cotter Pin		1
14	7015-16	Hose (5/16 x 14-1/2)	1	F079	A/A66D Aluminum Pop Rivet		2
15	NS	Fuel Filter (19204-43010 Kubota)	1	F091	5/16-18 x 5/8 Hex Bolt		1
16	7015-17	Hose (5/16 x 25-1/2)	1	F182	5/8 x 1/4 x 1/8 Washer		2
17	7021	Fuel Filter (15231-43560 Kubota)	1	F233	M8 x 1.25 x 16 Hex Bolt		2
18	7389	Splash Guard	1	F235	5/16-18 x 2-1/2 Hex Bolt		1
19	7048	Trash Guard	1	* Service Part Only			
20	7015-15	Hose (5/16 x 17-1/2)	1	NOTE: Refer to ELECTRICAL CONNECTORS , Page 42 for identification of all Electrical Wiring Service Parts.			
21	NS	Fuel Pump (12691-52031 Kubota)	1	NOTE: Decals for this assembly are not shown here. Refer to TRACTOR DECALS , Page 2 for Decal listing and placement information.			
22	7020	Fuel Filter (In-Line)	1				
23	8046-8	Fuel Tank, 5 Gallon, Diesel (Includes Items # 25 & 28)	1				
24	5082-2	Fuel Cap Seal	*				
25	7082	Fuel Tank Cap, Diesel (Includes Item # 24)	*				

ENGINE GROUP



AIR INTAKE AND EXHAUST GROUP

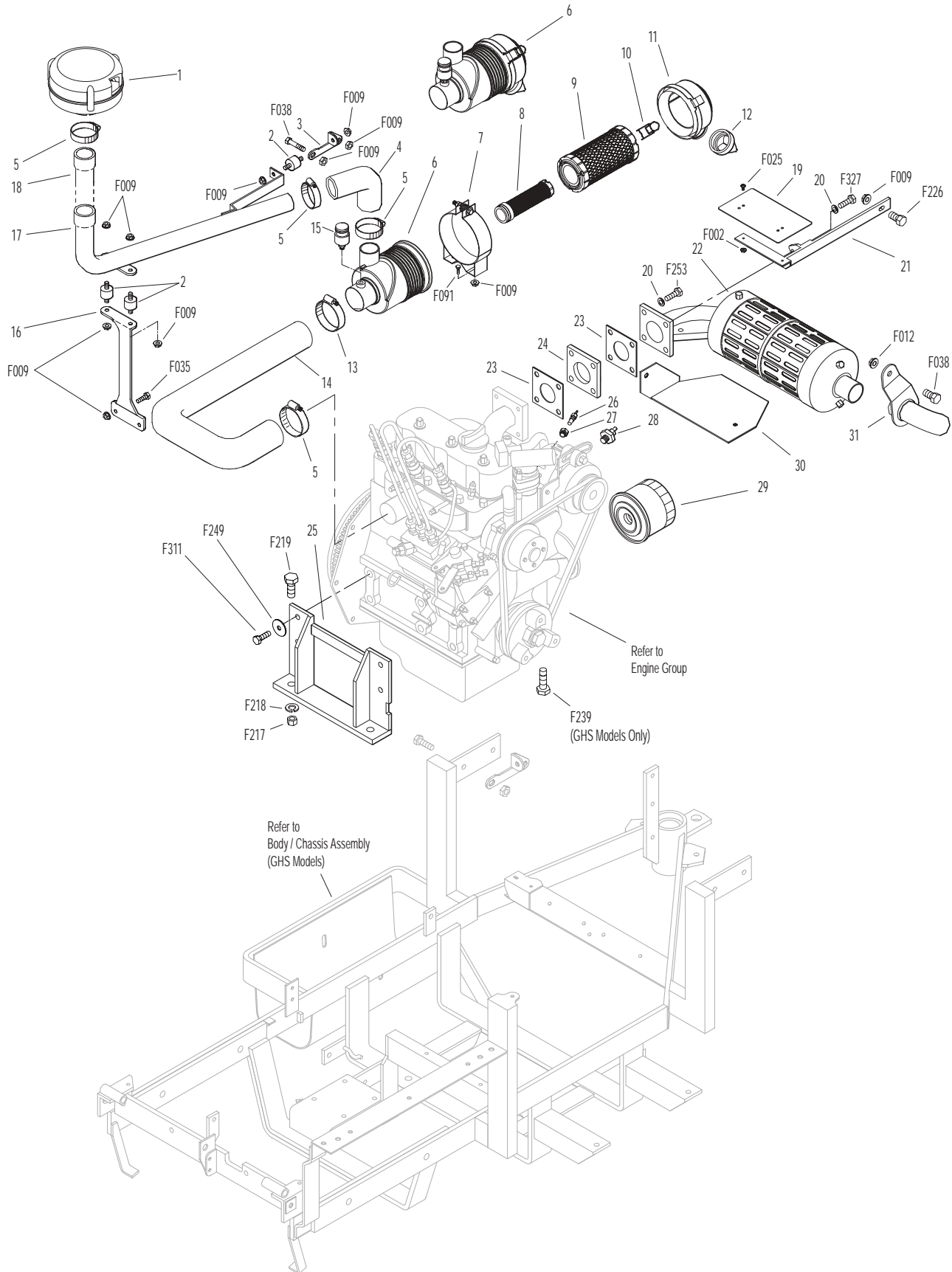
ITEM NO.	PART NO.	DESCRIPTION	NO. REQ'D	ITEM NO.	PART NO.	DESCRIPTION	NO. REQ'D
Precleaner Assembly				Fasteners			
1	7026-2	Remote Precleaner (Includes Item # 5)	1	F002		10-24 Keps Nut	2
2	7440	Shock Mount (1.0 OD x .75)	3	F009		5/16-18 Whiz Locknut	10*
3	7028-20	Rear Precleaner Mount	1	F012		3/8-16 Keps Nut	1
4	7027	Elbow, Precleaner	1	F025		10-24 x 3/8 PPHMS	2
5	7840	Hose Clamp (1-5/16 to 2-1/4)	3	F035		5/16-18 x 1-1/4 Hex Bolt	2*
6	5088-10	Air Cleaner Assembly (Includes Item # 15)	*	F038		3/8-16 x 1 Hex Bolt	2**
7	5088-1	Air Cleaner Band	1	F091		5/16-18 x 5/8 Hex Bolt	2
8	5090-3	Safety Filter Insert	1	F217		7/16-14 Hex Nut	4
9	5090-1	Air Cleaner Cartridge	1	F218		7/16 Split Lock Washer	4
10	5088-5	Air Cleaner Draw Latch	2	F219		7/16-14 x 1-1/4 Hex Bolt (GHS Models use only 3)	4
11	5088-11	Air Cleaner Cap	1	F226		5/16-18 x 7/8 Hex Bolt	1
12	5090-2	Vacuator Valve	1	F239		7/16-14 x 1-1/2 Hex Bolt	1***
13	6029	Hose Clamp (2-1/2)	1	F249		M10 Split Lock Washer	8
14	7016	Air Intake Hose	1	F253		M8 x 1.25 x 35 GR 8 Bolt	3
15	5091-10	Air Flow Indicator & Nipple	1	F311		M10 x 1.25 x 20 Hex Bolt	8
16	7031	Tube Support Arm	1	F327		M8 x 1.25 x 40 GR8 Hex Bolt	1
17	7028-3	Precleaner Tube, SD	1				
18	7028-2	Precleaner Tube, GHS	1				
Exhaust Assembly							
19	7437-1	Exhaust Manifold Shield	1				
20	NS	Spring Washer (04512-50080 Kubota)	4				
21	7437-6	Engine Brace (Includes Items # 19, F002 & F025)	1				
22	NS	Muffler (15262-12110 Kubota)	1				
23	NS	Muffler Gasket (15371-12370 Kubota)	2				
24	7034	Spacer, Muffler	1				
25	7354	Motor Mount	2				
26	7306-15	Water Temperature Sender	1				
27	7306-12	Temperature Sender Adapter	1				
28	7306-13	Oil Pressure Switch	1				
29	7023	Oil Filter (15841-32429 Kubota)	1				
30	7047-2	Manifold Heat Shield	1				
31	7013-2	Tail Pipe	1				

* Two (2) F009 and two (2) F035 fasteners are reused from Clutch Lever Assembly. Refer to **MAIN COMPONENT POWER TRANSMISSION (GHS OR SD MODELS)**, Pages 10 or 12.

** One (1) F012 and one (1) F038 fastener are reused from Rear Bumper Assembly. Refer to **BODY / CHASSIS ASSEMBLY (GHS MODELS)**, Page 4.

*** GHS Models Only

AIR INTAKE AND EXHAUST GROUP



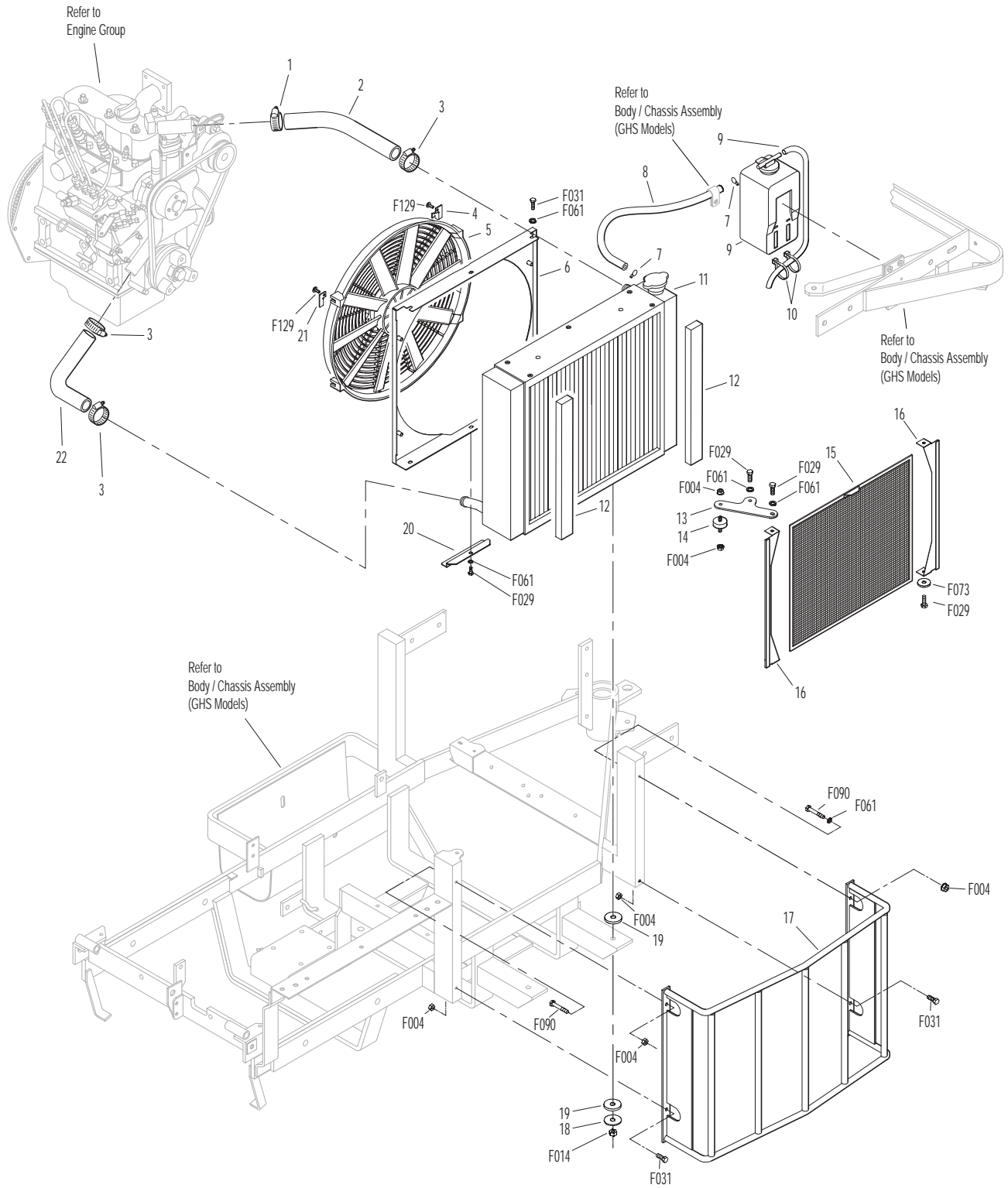
RADIATOR GROUP

ITEM NO.	PART NO.	DESCRIPTION	NO. REQ'D	ITEM NO.	PART NO.	DESCRIPTION	NO. REQ'D
Radiator Assembly				Fasteners			
1	7840-4	Hose Clamp (3/4 to 1-1/2)	1	F004		1/4-20 Keps Nut	6
2	7017-3	Upper Radiator Hose	1	F014		3/8-16 ESNA Nut	2
3	7840-3	Hose Clamp (1/2 to 1-1/4)	3	F029		1/4-20 x 1/2 Hex Bolt	5
4	7427-21	Fan Mount Tab, LH	2	F031		1/4-20 x 5/8 Hex Bolt	7
5	7429-6	Radiator Cooling Fan	1	F061		1/4 Internal Star Lock Washer	7
	7429-7	Fan Blade Replacement (Includes Items # F089, F099, F143, F222, F237 & F254)	*	F073		1/4 x 1.5 Fender Washer	2
				F089		Belleville Washer SS	*
				F090		1/4-20 x 2-1/2 Hex Bolt	2
6	7427-5	Radiator Fan Shroud	1	F099		#2 x 3/8 PPSM Screw SS	*
7	NS	Recovery Tank Hose Clamp (15501-72470 Kubota)	2	F129		10-24 x 1/2 PTHMS	4
				F143		10-32 x 1/4 Whiz Lock Bolt	*
8	7015-6	Recovery Tank Hose	1	F222		Thrust Washer	*
9	NS	Coolant Recovery Tank and Hose (19059-72090 Kubota)	1	F237		Spring Ring	*
				F254		Fender Washer	*
10	5975-3	Cable Tie (50# x 7")	2				
11	7427	Radiator	1				
12	7431-1	Radiator Channel Seal (1/4 x 1/2 x 13.5)	2				
13	7435	Radiator Brace	1				
14	7432	Shock Mount (1.00 OD x .75)	1				
15	7425	Radiator Screen	1				
16	7426	Screen Channel	2				
17	7430	Radiator Guard	1				
18	5841	Retainer Washer (3/8 x 1-1/4)	2				
19	7434	Rubber Washer (3/8 x 1-1/4 x 1/4)	4				
20	7427-7	Debris Shield, Shroud	1				
21	7427-22	Fan Mount Tab, RH	2				
22	7017-2	Lower Radiator Hose	1				

* Service Part Only

NOTE: Decals for this assembly are not shown here. Refer to **TRACTOR DECALS**, Page 2 for Decal listing and placement information.

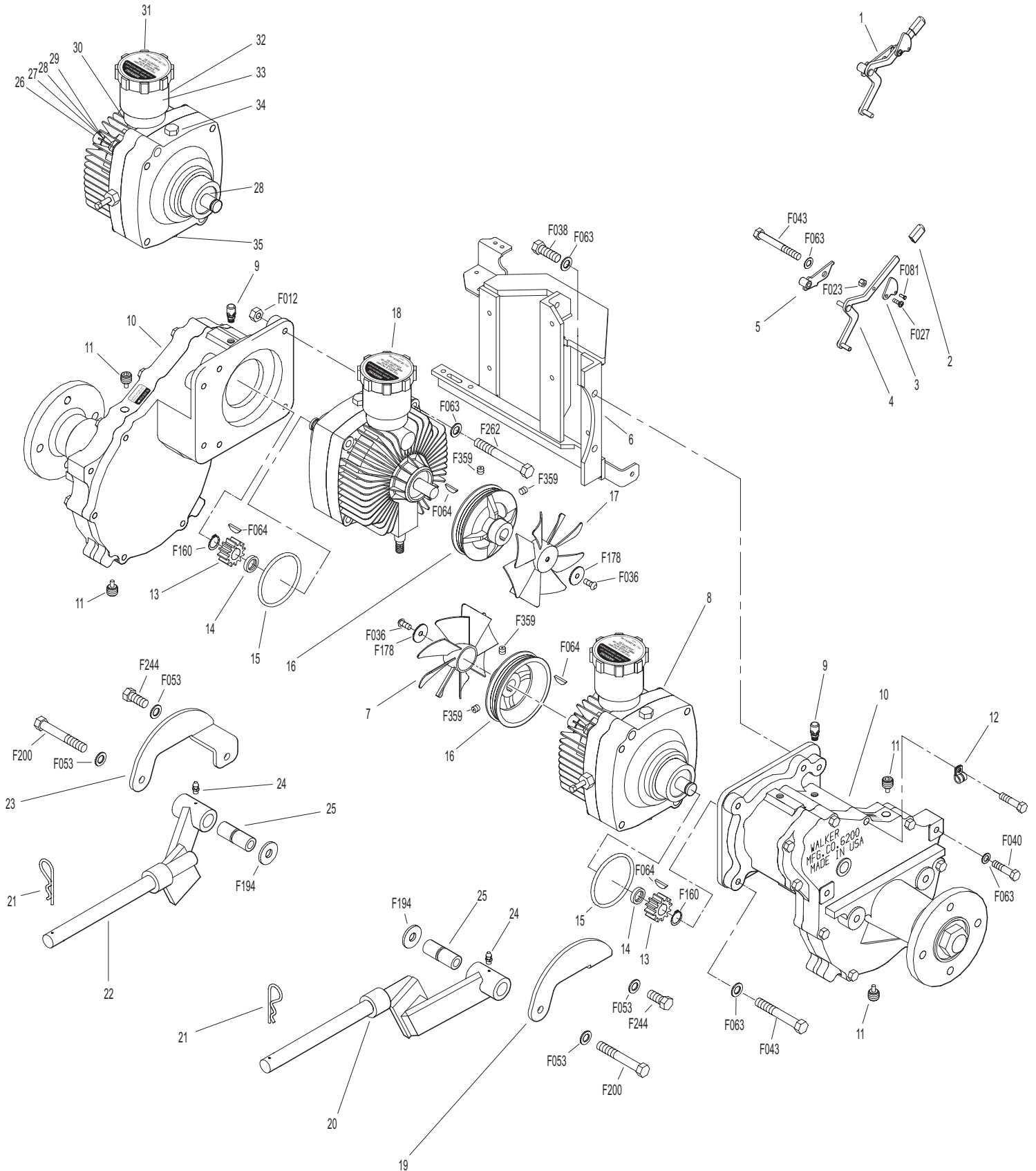
RADIATOR GROUP



HYDROSTATIC GROUND DRIVE ASSEMBLIES

ITEM NO.	PART NO.	DESCRIPTION	NO. REQ'D	ITEM NO.	PART NO.	DESCRIPTION	NO. REQ'D
Transmission Lockout Assembly				Transmission Repair Parts			
1	5028-3	Transmission Lockout Assembly (Includes Items # 2-5, F023, F027 & F081)	*	26	5025-5	Input Shaft	*
2	5847	Plastic Tip	2	27	5025-8	Bearing, Input Shaft	*
3	5057	Lockout Cam (Includes Item # F081)	2	28	5025-7	Snap Ring	*
4	5028-5	Lockout Lever	2	29	5025-2	Seal, Input Shaft	*
5	5027-5	Lockout Mount	2	30	5022	Reservoir to Casting Gasket	*
Ground Drive Assemblies				31	5024	Reservoir Cap and Gasket	*
6	6209-1	Bridge Assembly	1	32	5023	Transmission Reservoir Kit	*
7	6243-2	Hydro Fan, CCW	1	33	5023-1	Rubber Bladder	*
8	5025	Hydrostatic Drive, CCW (700-042)	1	34	5025-6	O-Ring & Plug Assembly	*
9	6206-1	Air Vent Valve	*	35	5025-3	Seal, Control Shaft	*
10	6200-9	Gear Axle Drive Assembly (Includes Item # 9 & 11)	2	Fasteners			
11	6207-12	Pipe Plug (1/4 NPTF)	4	F012	3/8-16 Keps Nut		1
12	5126	Cable Retainer (Uses existing bolt on Gear Axle Drive Assembly)	1	F023	10-24 ESNA Nut		2
13	6233-1	Pinion Gear	2	F027	10-24 x 5/8 PPHMS		2
14	6234	Spacer, Pinion Gear	2	F036	1/4-20 x 1/2 SBH Screw		2
15	6201	O-Ring Seal	2	F038	3/8-16 x 1 Hex Bolt		4
16	7244	Hydro Pulley (3-7/8) (Includes Items # F064 & F359)	2	F040	3/8-16 x 1-1/2 Hex Bolt		4
17	6243-1	Hydro Fan, CW	1	F043	3/8-16 x 3 Hex Bolt		7
18	5026	Hydrostatic Drive, CW (700-041)	1	F053	7/16 Internal Star Lock Washer		4
Deck Support Arm Assemblies				F063	3/8 Internal Star Lock Washer		16
19	6430-10	Outboard Mount, LH	1	F064	1/8 x 1/2 Woodruff Key (#3)		6
20	6430-2	Deck Support Arm, LH (Includes Item # 24)	1	F081	A/A45D Aluminum Pop Rivet		2
21	5775-2	Hitch Pin (# 6)	2	F160	External Snap Ring (.669 Shaft)		2
22	6430-1	Deck Support Arm, RH (Includes Item # 24)	1	F178	1/4 x 1 Fender Washer		2
23	6430-9	Outboard Mount, RH	1	F194	7/16 x 1-1/4 x 1/8 Washer		2
24	5830	Grease Fitting	2	F200	7/16-20 x 3 Grade 8 Bolt		2
25	6840-1	Support Arm Bushing (2-1/16)	2	F244	7/16-20 x 3/4 Hex Bolt		2
				F262	3/8-16 x 4 Hex Bolt (Spec) All Thread		1
				F359	5/16-18 x 5/16 Set Screw (Unbrako Knurl Point)		4
				* Service Part Only			

HYDROSTATIC GROUND DRIVE ASSEMBLIES



Effective Date 05-01-04

Use only genuine Walker® replacement parts.

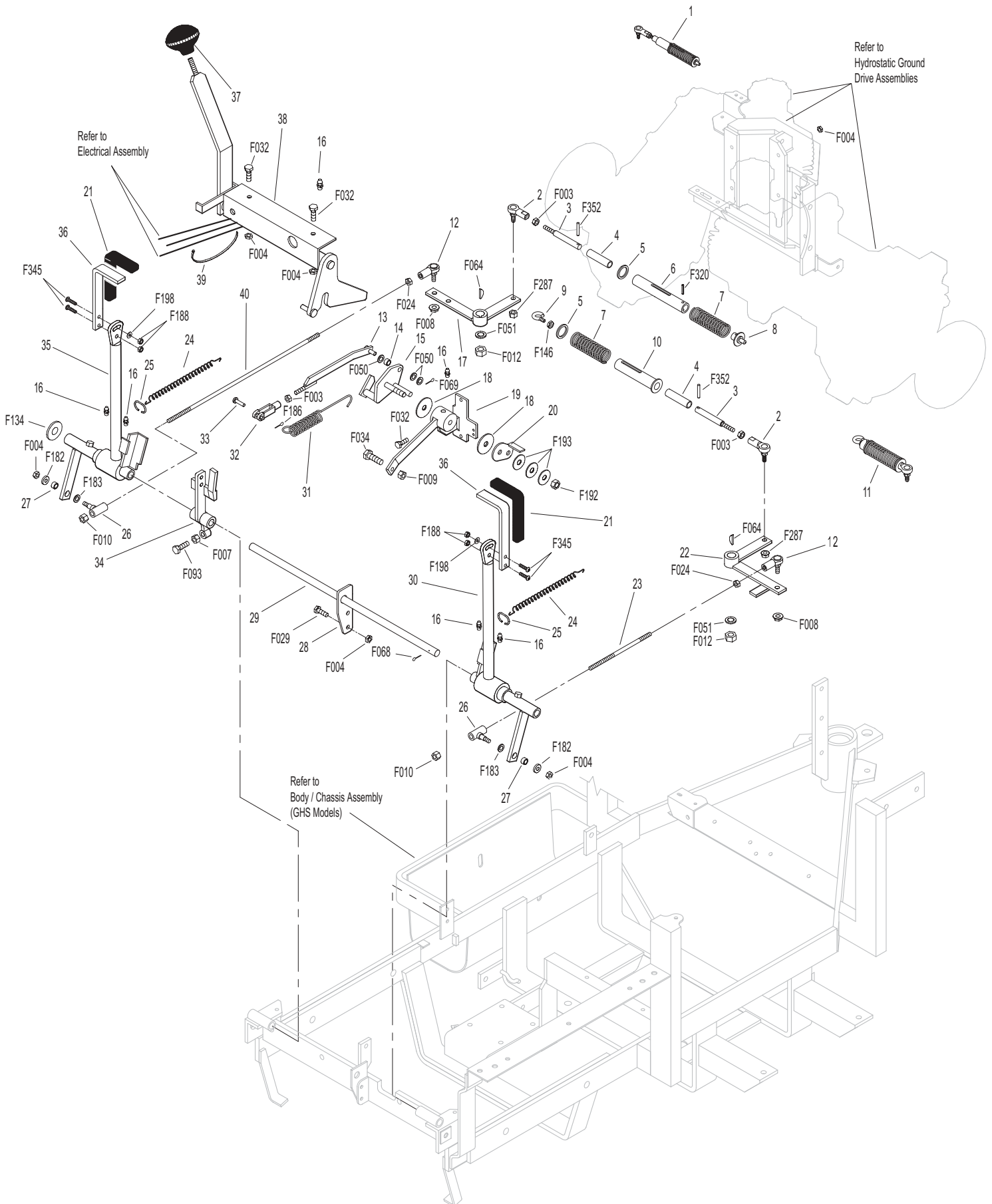
STEERING CONTROL ASSEMBLIES

ITEM NO.	PART NO.	DESCRIPTION	NO. REQ'D	ITEM NO.	PART NO.	DESCRIPTION	NO. REQ'D
Transmission Spring Assemblies				35	5450-3	Steering Lever Assembly, RH / Adjustable (Includes Items # 16, 21, 36, F188, F198 & F345)	1
1	6199-10	Transmission Spring Assembly (RH) (Includes Items # 2-8, F003, F287, F320 & F352)	*		5450-5	Steering Lever Arm, RH / Adjustable	*
2	5552	Ball Joint (1/4-28)	2	36	5453-10	Steering Lever Handle / Adjustable (Includes Items # 21 & F345)	2
3	5192-1	Spring Plunger (5/32)	2	37	5862	FSC Knob	1
4	5194	Plunger Sleeve	2	38	7170	FSC Lever Assembly (Includes Item # 16)	1
5	5193	3/4 x 1 x .085 Washer	2	39	5975-3	Cable Tie (50# x 7")	1
6	6191	Spring Slide (4-3/4)	1	40	5213-1	Control Rod, RH (15")	1
7	5195-1	Compression Spring (1 x 6-1/4)	2	Fasteners			
8	6196	Spring Slide Cap	1		F003	1/4-28 Hex Nut	3
9	5197	J-Bolt	1		F004	1/4-20 Keps Nut	8
10	5191	Spring Slide (3-5/8)	1		F007	5/16-18 Jam Nut	1
11	5199-10	Transmission Spring Assembly (LH) (Includes Items # 2-5, 7, 9, 10, F003, F146, F287 & F352)	*		F008	5/16-24 Keps Nut	2
Steering Lever & FSC Assemblies					F009	5/16-18 Whiz Locknut	1
12	5214-2	Ball Joint (5/16-24) Nylon Lined	2		F010	5/16-24 ESNA Nut	2
13	5173	FSC Actuator Rod	1		F012	3/8-16 Keps Nut	2
14	5172	Bearing, Nylon (.255 ID x .379 OD x .250)	1		F024	5/16-24 Jam Nut	2
15	5142-2	FSC Actuator Cam	1		F029	1/4-20 x 1/2 Hex Bolt	2
16	5830	Grease Fitting	6		F032	1/4-20 x 3/4 Hex Bolt	4
17	6212	Transmission Control Arm, RH	1		F034	5/16-18 x 3/4 Hex Bolt	1
18	5141	FSC Friction Washer (1-1/2 x 3/8 x 1/16)	2		F050	1/4 SAE Washer	3
19	5140-15	FSC Friction Body (Includes Item # 16)	1		F051	3/8 SAE Washer	2
20	5142-7	FSC Key W/Stop	1		F064	1/8 x 1/2 Woodruff Key (#3)	2
	5140-13	FSC Control Assembly (Includes Items # 16, 18-20, F192 & F193)	*		F068	1/8 x 1 Cotter Pin	1
21	5850-2	Handle Grip, Foam (5-1/2)	2		F069	3/32 x 1/2 Cotter Pin	1
22	5212-2	Transmission Control Arm, LH	1		F093	5/16-18 x 1 Hex Bolt	1
23	5213-2	Control Rod, LH (6")	1		F134	AN960816L Washer	3
24	5223	Extension Spring (1/4 x 5-1/2)	2		F146	1/4-20 Jam Nut	1
25	5450	D-Clip	2		F182	1/4 x 5/8 x 1/8 Washer	2
26	5463	Steering Lever Actuator	2		F183	.312 x .700 x .074 Washer	2
27	5214-1	Bearing (.320 x .438 x .250)	2		F186	5/64 x 1/2 Cotter Pin	1
28	5391-3	Steering Lever Support	1		F188	1/4-20 Self-Locking Nut	4
29	5217	Pivot Pin, Steering Lever	1		F192	3/8-24 Self-Locking Nut	1
30	5451-3	Steering Lever Assembly, LH / Adjustable (Includes Items # 16, 21, 36, F188, F198 & F345)	1		F193	3/8 Belleville Spring Washer	3
	5451-5	Steering Lever Arm, LH / Adjustable	*		F198	.250 x .625 x .040 Washer, SS	2
31	5219	Extension Spring (3/4 x 6-3/4)	1		F287	1/4-28 Keps Nut	2
32	5280	Clevis (1/4)	1		F320	1/8 x 3/4 Split Spring Pin	1
33	5281-5	Clevis Pin (1/4 x 0.80)	1		F345	1/4-20 x .770 Knurled Bolt	4
34	5470-1	Speed Control Stop	1		F352	5/32 x 1 Heavy Duty Roll Pin	2
				*	Service Part Only		

Use only genuine **Walker**[®] replacement parts.

Effective Date 05-01-04

STEERING CONTROL ASSEMBLIES



Effective Date 05-01-04

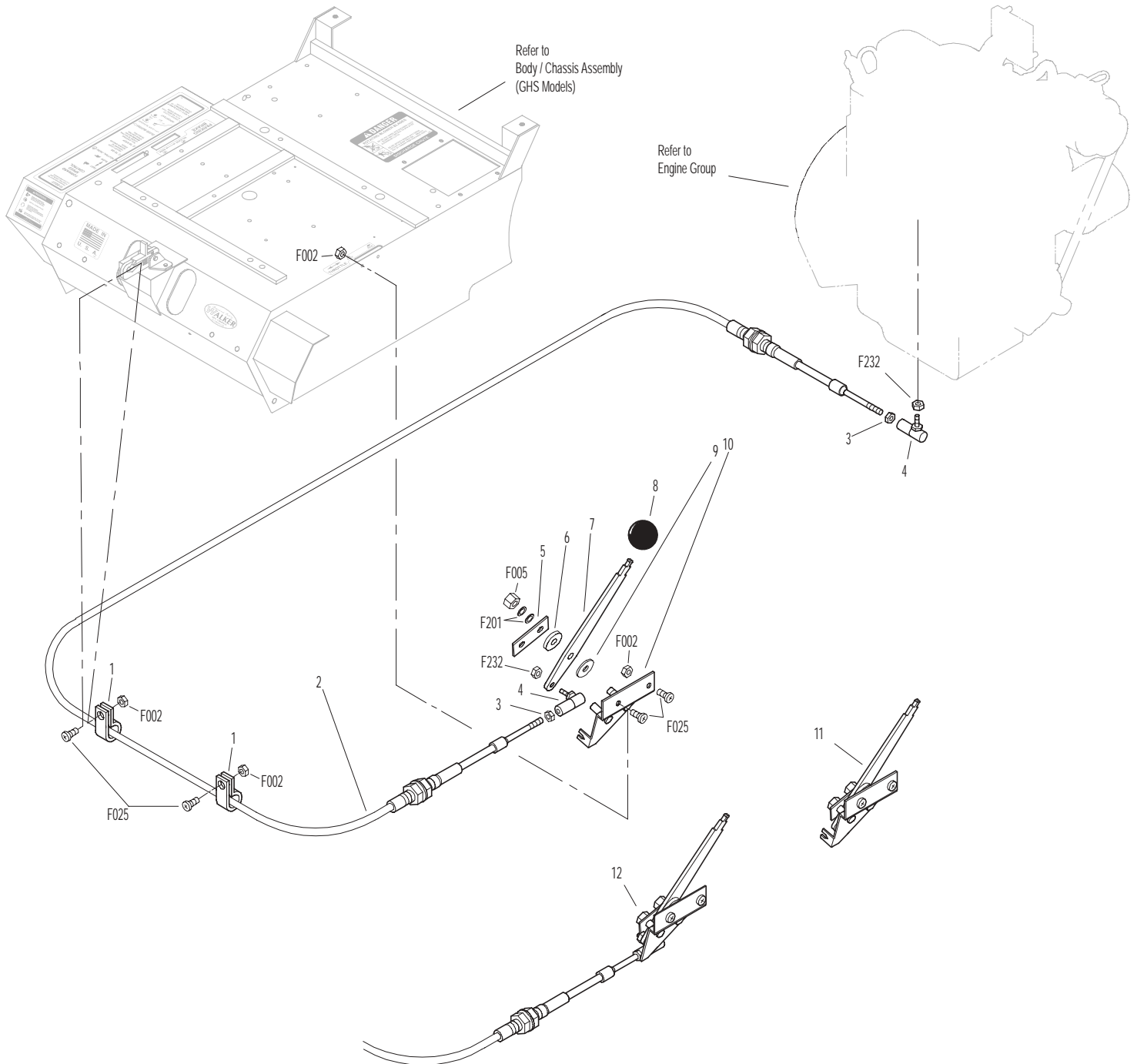
Use only genuine Walker® replacement parts.

THROTTLE CONTROL ASSEMBLIES

ITEM NO.	PART NO.	DESCRIPTION	NO. REQ'D	ITEM NO.	PART NO.	DESCRIPTION	NO. REQ'D
Throttle & Choke Control Assemblies				Fasteners			
1	5832	Cable Clamp (1/2)	2		F002	10-24 Keps Nut	4
2	7220	Throttle Cable	1		F005	1/4-20 ESNA Nut	1
3	NS	10-32 Jam Nut	2		F025	10-24 x 3/8 PPHMS	4
4	5150	Ball Joint (10-32)	2		F201	1/4 Belleville Spring Washer	2
5	5108-7	Control Lock Tab	1		F232	10-32 Keps Nut	2
6	5108-10	Friction Washer (.125)	1				
7	5108-1	Control Lever, Throttle	1	*		Service Part Only	
8	5108-5	Throttle Control Knob, Red	1				
9	5108-11	Friction Washer (.062)	1				
10	5108-8	Control Bracket (Diesel)	1				
11	7108	Control Assembly (Includes Items # 5-7, 9, 10 & F201)	*				
12	7112	Throttle Control and Cable Assembly (Complete Control and Cable Assembly) (Includes Items # 2, 4, 8, 11 & F232)	*				

NOTE: Decals for this assembly are not shown here. Refer to **TRACTOR DECALS**, Page 2 for Decal listing and placement information.

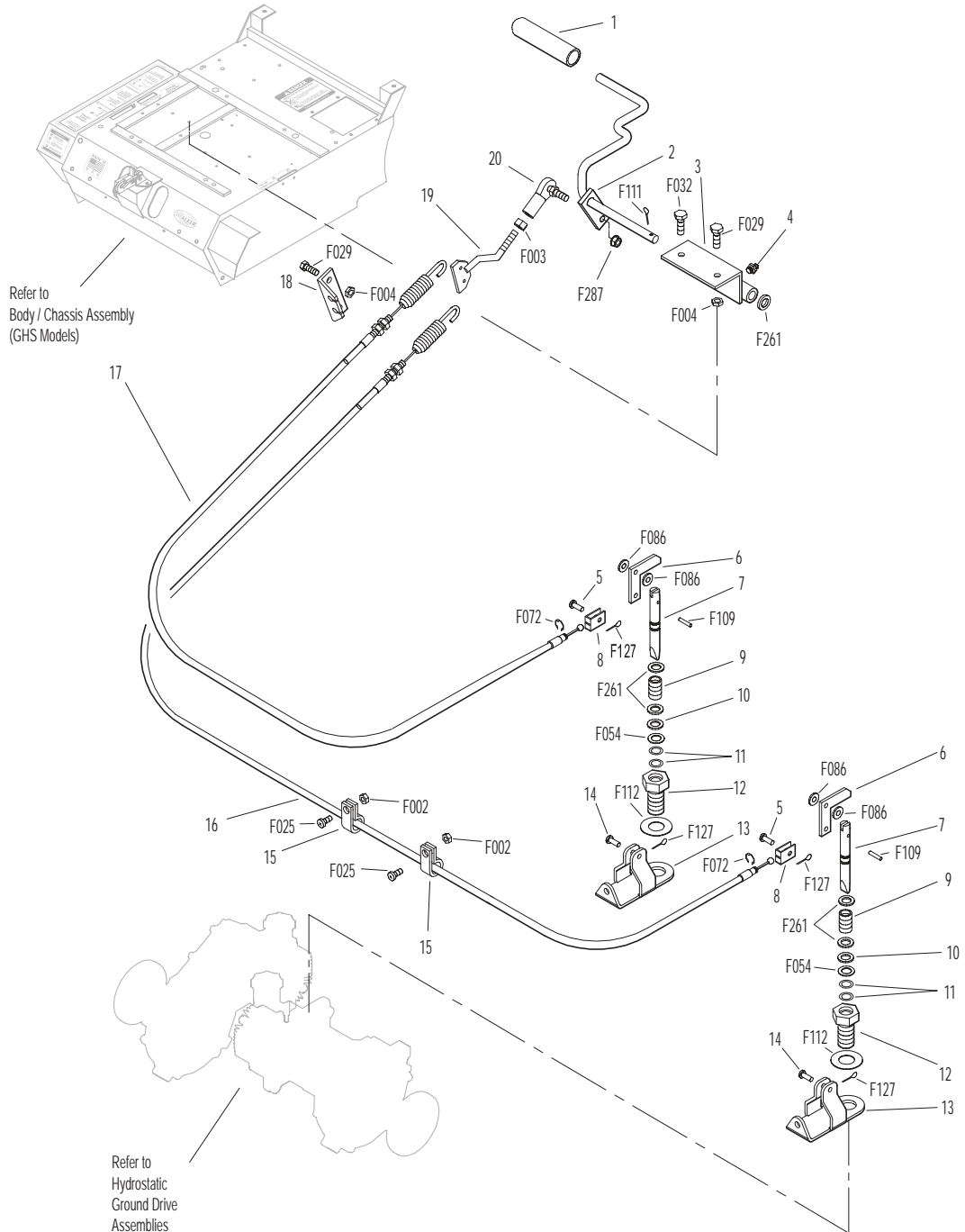
THROTTLE CONTROL ASSEMBLIES



PARKING BRAKE ASSEMBLY

ITEM NO.	PART NO.	DESCRIPTION	NO. REQ'D	ITEM NO.	PART NO.	DESCRIPTION	NO. REQ'D
Parking Brake Assembly				Fasteners			
1	7406-1	Handle Grip, Red	1	F002		10-24 Keps Nut	2
2	7406-8	Parking Brake Lever (4-1/4)	1	F003		1/4-28 Hex Nut	1
3	7406-2	Lever Mount	1	F004		1/4-20 Keps Nut	4
4	5830	Grease Fitting	1	F025		10-24 x 3/8 PPHMS	4
5	7407	Clevis Pin (3/16 x 1/2)	2	F029		1/4-20 x 1/2 Hex Bolt	1
6	7404	Brake Actuator Arm	2	F032		1/4-20 x 3/4 Hex Bolt	1
7	7405	Pin, Transmission Lock	2	F054		AN960616 Washer	2
8	7402	Clevis	2	F072		1/4 "E" Retainer Ring	2
9	7408	Compression Spring (1/2 x 3/4)	2	F086		#10 SAE Washer	4
10	7415	Rubber Dust Shield (5/8 x 3/8 x 1/32)	2	F109		1/8 x 5/8 Roll Pin	2
11	5567-3	O-Ring Seal (1/4 x 3/8)	4	F111		1/8 x 3/4 Cotter Pin	1
12	7403	Plunger Bushing, Gear Axle	2	F112		5/8 x 1-1/4 x .03 Washer	2
13	7404-1	Brake Actuator Mount	2	F127		1/16 x 1/2 Cotter Pin	4
14	7412	Clevis Pin (3/16 x 5/8)	2	F261		AN960616L Washer	5
15	5833	Cable Clamp (1/4)	2	F287		1/4-28 Keps Nut	1
16	7410	Brake Control Cable, LH (27")	1				
17	7409	Brake Control Cable, RH (21")	1				
18	7401-3	Cable Mount Bracket	1				
19	7401-1	Cable Pull Rod	1				
20	5552	Ball Joint (1/4-28)	1				

PARKING BRAKE ASSEMBLY



GHS GROUP

ITEM NO.	PART NO.	DESCRIPTION	NO. REQ'D
----------	----------	-------------	-----------

Delivery Chute Assembly

When Optional 9.5 Bushel Catcher Assembly is purchased, Item # 6 is replaced by P/N 8511-1 (Delivery Chute Assembly, 9.5).

1	5515-2	Elbow Delivery Spout	1
2	5592-13	Backing Plate, Grass-Pak® Switch	1
3	5592-12	Mount Plate, Grass-Pak® Switch	1
4	5578	Rear Clip, Chute Mount	1
5	5577	Side Clip, Chute Mount	2
6	7511-1	7.0 Delivery Chute W/Clips (Includes Items # 4, 5, 7, F079, F085 & F362)	1***
	8511-1	9.5 Delivery Chute W/Clips (Includes Items # 4, 5, 7, F079, F085 & F362)	*
7	5578-10	Front Clip, Chute Mount	1
8	7530-3	Body Chute	1

Blower Belt Tightener Assembly

9	7238-1	Blower Drive Pulley (Mirco-V) (Includes Items # F075, F114 & F231)	1
10	7234-1	Blower Belt (Micro-V)	1
11	7239-1	Blower Pulley (Mirco-V) (Includes Items # F067, F075 & F114)	1
12	7364-2	Torsion Spring	1
13	7201-3	DU Bearing	2
14	5830-3	Grease Fitting (45 Deg.)	1
15	7364-1	Blower Belt Tightener Arm	1
16	7201-4	Inner Race (1-1/2)	1
17	5841	Retainer Washer (3/8 x 1-1/4)	1
18	5245	Idler Pulley (3")	1

Blower Assembly

19	5268	Bearing W/Collar (3/4)	2
20	6543	Housing (10" Blower)	1
	6542	Blower Assembly (10") (Includes Items # 19, 22, 23 & F004)	*
21	6545	Blower Wheel (10")	1
22	6525-2	Faceplate (10" Blower)	1
23	6526	Intake Tube (6-1/2 x 2-1/2)	1
24	5595-2	Intake Cover/GHS	**
25	7528	Skid Bar (10" Blower)	1
26	7833	Cable Clamp (7/8 x 1/4)	1

ITEM NO.	PART NO.	DESCRIPTION	NO. REQ'D
----------	----------	-------------	-----------

Fasteners

F002	10-24 Keps Nut	8
F004	1/4-20 Keps Nut	6
F009	5/16-18 Whiz Locknut	1
F012	3/8-16 Keps Nut	3
F025	10-24 x 3/8 PPHMS	2
F026	10-24 x 1/4 PPHMS	2
F034	5/16-18 x 3/4 Hex Bolt	1
F038	3/8-16 x 1 Hex Bolt	1
F040	3/8-16 x 1-1/2 Hex Bolt	1
F042	3/8-16 x 2-1/4 Hex Bolt	1
F054	AN960616 Washer	1
F067	3/16 x 3/16 x 1 Key	1
F074	1/4-20 x 3/8 Set Screw	2
F075	5/16-18 x 1/2 SQH Set Screw	1
F079	A/A66D Aluminum Pop Rivet	6
F085	3/16 Rivet Backup Washer	6
F102	10-24 x 1-1/2 PTHMS	2
F114	5/16-18 x 5/8 SQH Set Screw	2
F128	10-24 x 3/8 PTHMS	4
F163	5/16-18 x 3/4 SQH Set Screw	1
F217	7/16-14 Hex Nut	1
F218	7/16 Split Lock Washer	1
F219	7/16-14 x 1-1/4 Hex Bolt	1
F231	1/4 x 3/4 Woodruff Key (# 806)	1
F362	A/A62D Alum. Pop Rivet (3/16D x 13/32L)	2

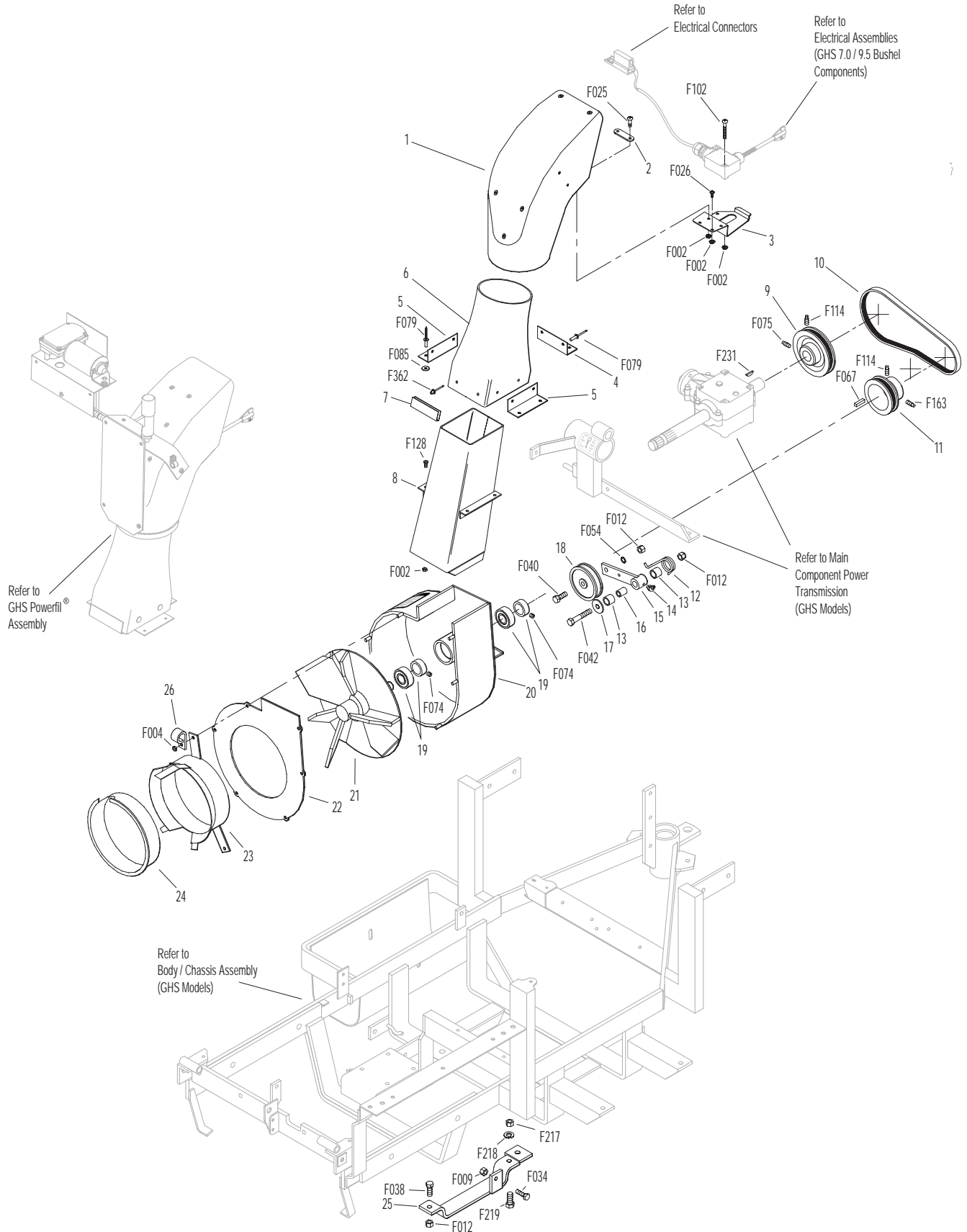
* Service Part Only

** Plugs Blower when GHS is not in use. Furnished only with Mulching Decks, SD Decks used on a GHS Tractor, Rotary Broom Attachment and Snowblower Attachment. Use of this part may be replaced by installing Blower Lockout Kit (P/N 6541). See Page 54.

*** For use on GHS 7.0 Bushel Catcher Assembly. When Optional 9.5 Bushel Catcher Assembly is purchased, this part is replaced by P/N 8511-1 (Delivery Chute Assembly, 9.5). Refer to Optional **GHS 9.5 BUSHEL CATCHER ASSEMBLY**, Page 34.

NOTE: Refer to **ELECTRICAL CONNECTORS**, Page 42 for identification of all Electrical Wiring Service Parts.

GHS GROUP



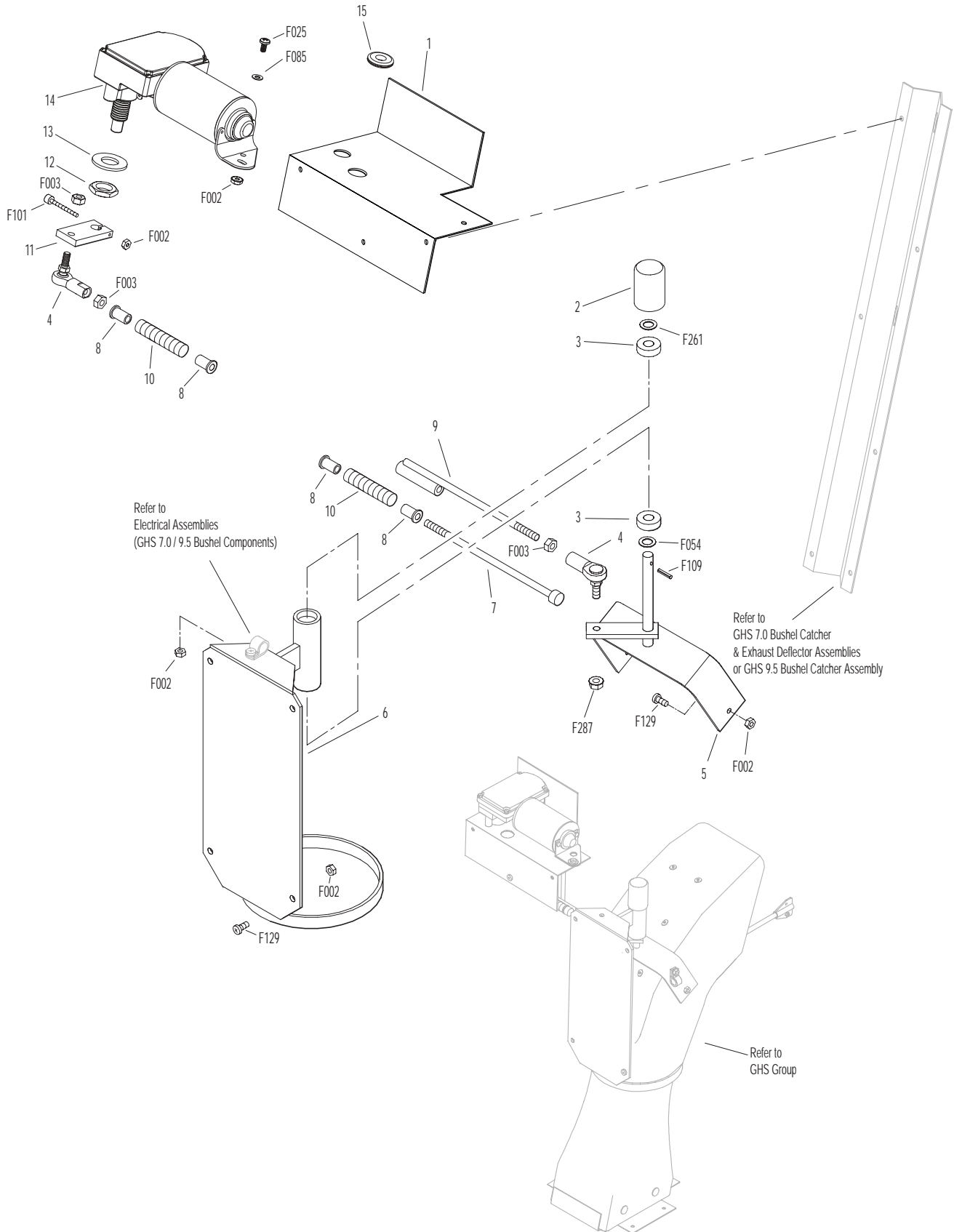
GHS POWERFIL® ASSEMBLY

ITEM NO.	PART NO.	DESCRIPTION	NO. REQ'D	ITEM NO.	PART NO.	DESCRIPTION	NO. REQ'D
GHS Powerfil® Assembly				Fasteners			
1	5557	Motor Mount, Powerfil®	1	F002		10-24 Keps Nut	14
2	5551-3	Bearing Cap, Powerfil®	1	F003		1/4-28 Hex Nut	3
3	5551-1	Pivot Bearing (#S3PP)	2	F025		10-24 x 3/8 PPHMS	2
4	5552	Ball Joint (1/4-28)	2	F054		AN960616 Washer	1
5	5518-2	Pivot, Delivery Spout	1	F085		3/16 Rivet Backup Washer	1
6	5517-2	Pivot Mount	1	F101		10-24 x 1-1/4 SHC Screw	1
7	5558-1	Powerfil® Push Rod	1	F109		1/8 x 5/8 Roll Pin	1
8	5553-3	Bushing, Powerfil® Actuator	4	F129		10-24 x 1/2 PTHMS	10
9	5558-2	Powerfil® Actuator Rod	1	F261		AN960616L Washer	1
	5549	Actuator Rod Assembly (Includes Items # 4, 7-10, & F003)	*	F287		1/4-28 Keps Nut	1
10	5553-1	Compression Spring (1/2 x 2)	2	* Service Part Only			
11	5554	Actuator Arm	1				
12	5519-3	Motor Mount Nut (5/8-24)	*				
13	5519-2	Motor Mount Washer	*				
14	5519	Actuator Motor (12/24V) (Includes Items # 12 & 13)	1				
15	5977	Grommet (1/2 x 7/8 x 1/16)	1				

Use only genuine **Walker®** replacement parts.

Effective Date 05-01-04

GHS POWERFIL® ASSEMBLY



GHS 7.0 BUSHEL CATCHER & EXHAUST DEFLECTOR ASSEMBLIES

ITEM NO.	PART NO.	DESCRIPTION	NO. REQ'D	ITEM NO.	PART NO.	DESCRIPTION	NO. REQ'D
Upper Baffle Screen Assembly (Removable)				36	5976-2	Grommet (3/16 x 3/4)	1
1	7509-3	Channel Bottom	2	37	5522-2	Hinge Backup Plate, RH	1
2	7505	Mustache Spring	2	38	7508	Safety Latch	1
3	7507	Screen Seal (27-1/2)	1	39	7584	Reinforcing Strap	2
4	7856-1	Edge Molding (26")	1	40	7514-1	Backup Plate	1
5	7509-2	Channel Top	2	5598 Optional Dump Bag (Not Shown)			
6	7512-2	Removable Screen (3/16 Hole) (Includes Items # 7, F025 & F190)	1***	May be ordered as an option. Contact your Walker dealer. Not used with Power Dump Option.			
7	7506	Knob (10-24) Threaded Insert	2	Fasteners			
8	7509-4	C-Channel	1	F002	10-24 Keps Nut		27
Exhaust Deflector Assembly				F004	1/4-20 Keps Nut		16
9	7504-3	Hinge (27")	1	F009	5/16-18 Whiz Locknut		2
10	7504-1	Exhaust Deflector (Two Piece Set)	1	F020	5/16-18 ESNA Nut		2
	7504	Exhaust Deflector Kit	*	F025	10-24 x 3/8 PPHMS		4
11	7504-8	Deflector Mount Doubler	2	F026	10-24 x 1/2 PPHMS		8
GHS 7.0 Bushel Catcher Assembly				F027	10-24 x 5/8 PPHMS		4
12	5583	Handle	1	F035	5/16-18 x 1-1/4 Hex Bolt		1
13	5588	Rubber Bumper (.75 x .50)	2	F037	10-24 x 5/8 PTH Screw		2
14	7522	Side Strap, Door (7.0)	2	F049	5/16 SAE Washer		4
15	7610	Catcher Dump Plate	1**	F069	3/32 x 1/2 Cotter Pin		2
16	7610-1	Dump Plate Slide	2**	F079	A/A66D Aluminum Pop Rivet		18
17	7513-2	7.0 Mounting Frame Doubler	1	F085	3/16 Rivet Backup Washer		15
18	5281-5	Clevis Pin (1/4 x 0.80)	2**	F129	10-24 x 1/2 PTHMS		14
19	7503	7.0 Mounting Frame (Includes Item # 21)	1	F137	3/8-16 x 1/2 x 2 SHL Bolt		2
20	5522-1	Hinge Backup Plate, LH	1	F172	1/4-20x3/4 Carriage Bolt		4
21	7503-9	Pivot Bushing (5/16 x 5/8)	2	F188	1/4-20 Self Locking Nut		18
22	7510-1	7.0 Bushel Catcher, Including Door	1	F190	#10 Internal Star Lock Washer		2
	7502-1	7.0 Catcher, Without Powerfil® (Includes Door & Deflector)	*	F195	1/4-20 x 3/4 PPHMS SS		8
	7502-2	7.0 Catcher (With Powerfil®) (Includes Door & Deflector)	*	F196	1/4-20 x 1 PPHMS SS		3
23	7514-10	7.0 Door Frame	1	F198	.625 x .250 x .040 Washer, SS		5
24	5155-12	5/16 Ball Stud	2	F228	# 6 x 1/2 PPHSM Set Screw		2
25	5147	Spring Clip	4	F230	1/4-20 x 1-1/4 PPHMS SS		1
26	5155-2	Gas Spring Cover	2	F242	1/4-20 x 7/8 PPHMS SS		11
27	5155	Gas Spring Assembly / Catcher Door (Includes Items # 24, 25, 29 & F049)	2	F252	10-24 x 3/4 PPHMS		1
28	5524-1	Flanged Hinge Bearing	2	F255	5/16-18 x 1-1/2 Hex Bolt		1
29	5155-13	3/4 Ball Stud	2	F329	.260 ID x 1.939 OD Washer		2
30	5523-6	Gas Spring Plate	2	F330	3/16 D x 21/32 Rivet, SS		2
31	7532	Handle, Catcher Lift	2	F340	Rivet, Aluminum		4
	7534	Catcher Handle Kit (Includes Items # 31, 32, F004 & F172)	*	F351	Aluminum Pop Rivet		6
32	7533	Backing Plate, Handle	2	* Service Part Only			
33	5155-15	Box Support, Gas Spring	2	** Existing Part on units with Serial Number 94-16484 and on. Earlier Models require installation of Dump Plate Kit 7611.			
34	7557-10	7.0 Wire Harness Channel	1	*** This screen can be replaced by P/N 7512-3 Removable Screen (3/4" hole) for improved air flow performance in wet conditions.			
35	5976	Grommet (3/8 x 11/16)	1				

Use only genuine **Walker®** replacement parts.

Effective Date 05-01-04

GHS 9.5 BUSHEL CATCHER ASSEMBLY

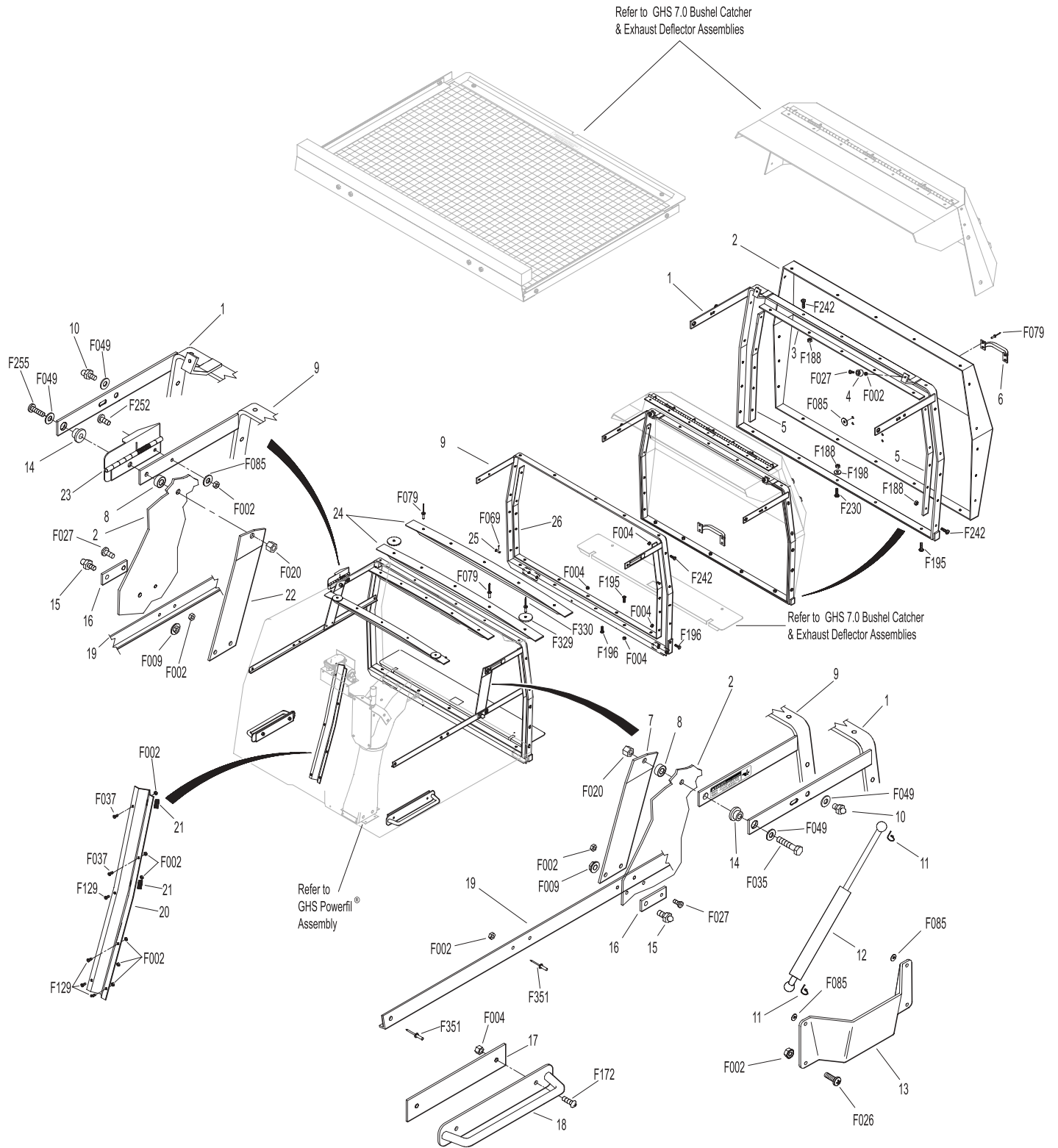
ITEM NO.	PART NO.	DESCRIPTION	NO. REQ'D
GHS 9.5 Bushel Catcher Assembly			
May be ordered as a factory-installed option. Contact your Walker dealer.			
1	8514-11	9.5 Door Frame	1
2	8510-1	9.5 Bushel Catcher, Including Door	1
	8502-1	9.5 Catcher, Without Powerfil® (Includes Door & Deflector)	*
	8502-2	9.5 Catcher, With Powerfil® (Includes Door & Deflector)	*
3	7514-1	Backup Plate	1
4	5588	Rubber Bumper (.75 x .50)	2
5	8516	Side Strap, Door / 9.5	2
6	5583	Handle	1
7	5522-1	Hinge Backup Plate, LH	1
8	7503-9	Pivot Bushing (5/16 x 5/8)	2
9	8503-2	Mounting Frame (Includes Item # 8)	1
10	5155-12	5/16 Ball Stud	2
11	5147	Spring Clip	4
12	5155	Gas Spring Assembly / Catcher Door (Includes Items # 10, 11, 15 & F049)	2
13	5155-2	Gas Spring Cover	2
14	5524-1	Flanged Hinge Bearing	2
15	5155-13	3/4 Ball Stud	2
16	5523-6	Gas Spring Plate	2
17	7533	Backing Plate, Handle	2
18	7532	Handle, Catcher Lift	2
19	5155-15	Box Support, Gas Spring	2
20	8117	9.5 Wire Harness Channel	1
21	5976	Grommet (3/8 x 11/16)	2
22	5522-2	Hinge Backup Plate, RH	1
23	7508	Safety Latch Hinge	1
24	7584	Reinforcing Strap	2
25	5281-5	Clevis Pin (1/4 x .080)	2
26	8513-3	9.5 Mounting Frame Doubler	1

ITEM NO.	PART NO.	DESCRIPTION	NO. REQ'D
Fasteners			
	F002	10-24 Keps Nut	21
	F004	1/4-20 Keps Nut	22
	F009	5/16-18 Whiz Locknut	2
	F020	5/16-18 ESNA Nut	2
	F026	10-24 x 1/2 PPHMS	8
	F027	10-24 x 5/8 PPHMS	4
	F035	5/16-18 x 1-1/4 Hex Bolt	1
	F037	10-24 x 5/8 PTH Screw	2
	F049	5/16 SAE Washer	4
	F069	3/32 x 1/2 Cotter Pin	2
	F079	A/A66D Aluminum Pop Rivet	18
	F085	3/16 Rivet Backup Washer	15
	F129	10-24 x 1/2 PTHMS	4
	F172	1/4-20 x 3/4 Carriage Bolt	4
	F188	1/4-20 Self Locking Nut	20
	F195	1/4-20 x 3/4 PPHMS SS	8
	F196	1/4-20 x 1 PPHMS SS	3
	F198	.625 x .250 x .040 Washer, SS	5
	F230	1/4-20 x 1-1/4 PPHMS SS	1
	F242	1/4-20 x 7/8 PPHMS SS	15
	F252	10-24 x 3/4 PPHMS	1
	F255	5/16-18 x 1-1/2 Hex Bolt	1
	F329	.260 ID x 1.939 OD Washer	2
	F330	3/16 D x 21/32 L Rivet, SS	2
	F351	Aluminum Pop Rivet	6

* Service Part Only

NOTE: Refer to **ELECTRICAL CONNECTORS**, Page 42 for identification of all Electrical Wiring Service Parts.

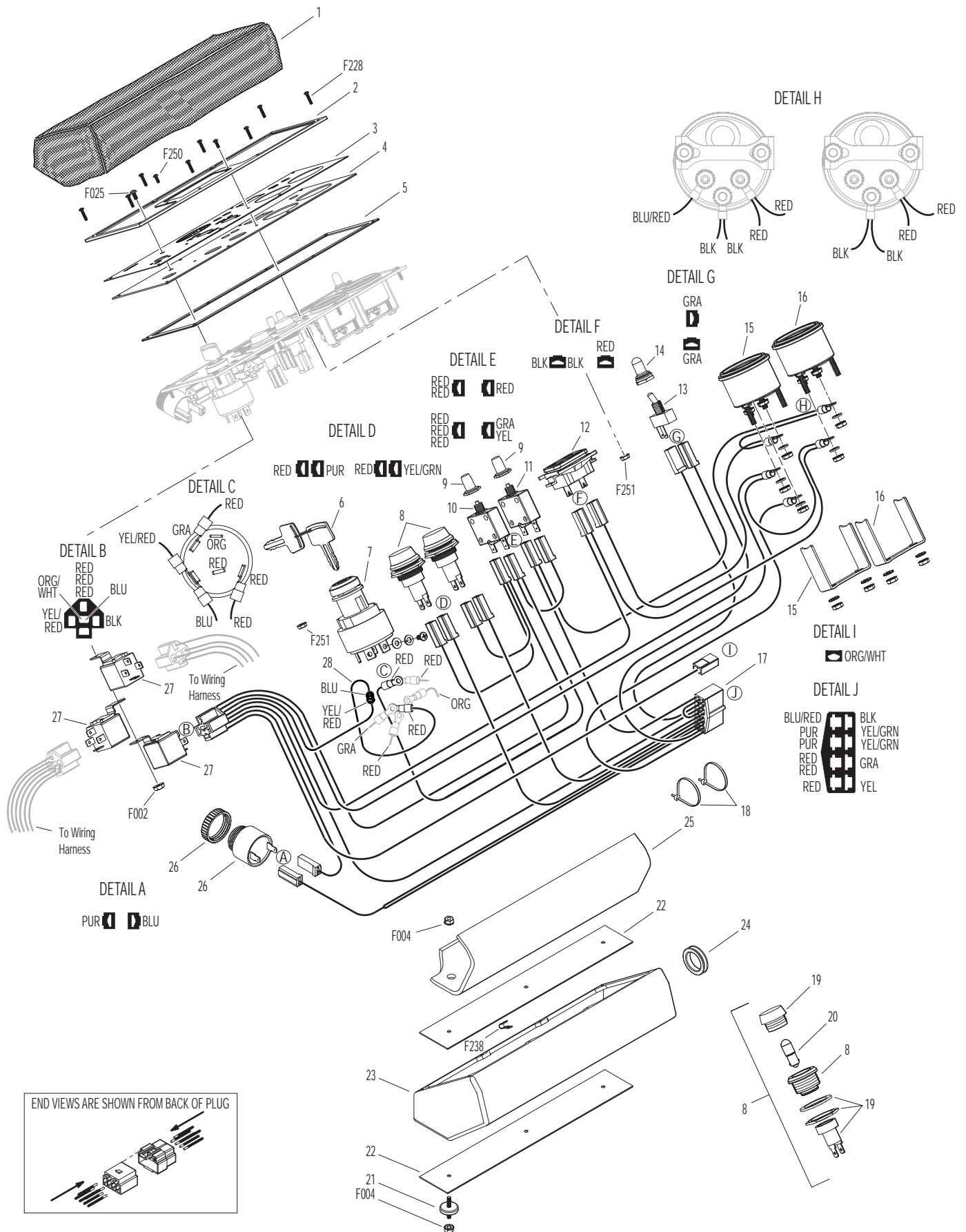
GHS 9.5 BUSHEL CATCHER ASSEMBLY



INSTRUMENT PANEL ASSEMBLY

ITEM NO.	PART NO.	DESCRIPTION	NO. REQ'D	ITEM NO.	PART NO.	DESCRIPTION	NO. REQ'D
Instrument Panel Assembly				20	8996-3	Indicator Bulb (Replacement for P/N 8996-2)	*
1	7307-2	Instrument Panel Cover (Optional)	**	21	7307-1	Shock Mount (1.0 x .25)	3
	7396-1	Instrument Panel Assembly (Includes Items #2-5, 7-17, 26, 27, 28 F228, F250 & F251)	1	22	7391	Panel Box Mount Plate	2
2	7307	Panel Frame	1	23	7385-1	Panel Box W/Graphic	1
3	7823-4	Decal, Instrument Panel	1	24	7977-1	Grommet (1/8 x 1-1/16)	1
4	7307-6	Panel Faceplate	1	25	7307-16	Lining, Panel Box (1/8)	1
5	7386	Panel Gasket	1	26	8536	Warning Horn	1
6	7960-6	Ignition Key (1 Set)	*	27	6941	Relay Switch (30/40 Amp)	3
7	7960-5	Ignition Switch (with Keys) (Includes Item # 6)	1	28	7947-8	Jumper Wire	1
8	8996-2	Red Indicator Light Assembly (Includes Items # 19 & 20)	2	Fasteners			
9	7941-3	Boot, Circuit Breaker	2	F002	10-24 Keps Nut		1
10	7941-5	Circuit Breaker (7 Amp)	1	F004	1/4-20 Keps Nut		6
11	7941-2	Circuit Breaker (10 Amp)	1	F025	10-24 x 3/8 PPHMS		1
12	8990-1	Hourmeter (SenDec)	1	F228	#6 x 5/8 PPH SMS, SS		8
13	5995	Toggle Switch (Off-On)	1	F238	J Clip, Instrument Panel C15520-6A		8
14	5995-2	Switch Boot	1	F250	6-32 x 3/8 PPHMS		2
15	7306-14	Water Temperature Gauge	1	F251	6-32 Keps Nut		2
16	8997	Voltmeter Gauge	1	* Service Part Only			
17	7947-3	Wire Harness, Instrument Panel	1	** May be ordered as an option. Contact your Walker dealer.			
18	5975-1	Cable Tie (18# x 3-3/4")	2	NOTE: Refer to ELECTRICAL CONNECTORS , Page 42 for identification of all Electrical Wiring Service Parts.			
19	8996-4	Red Indicator Lens	2				

INSTRUMENT PANEL ASSEMBLY



Effective Date 05-01-04

Use only genuine Walker® replacement parts.

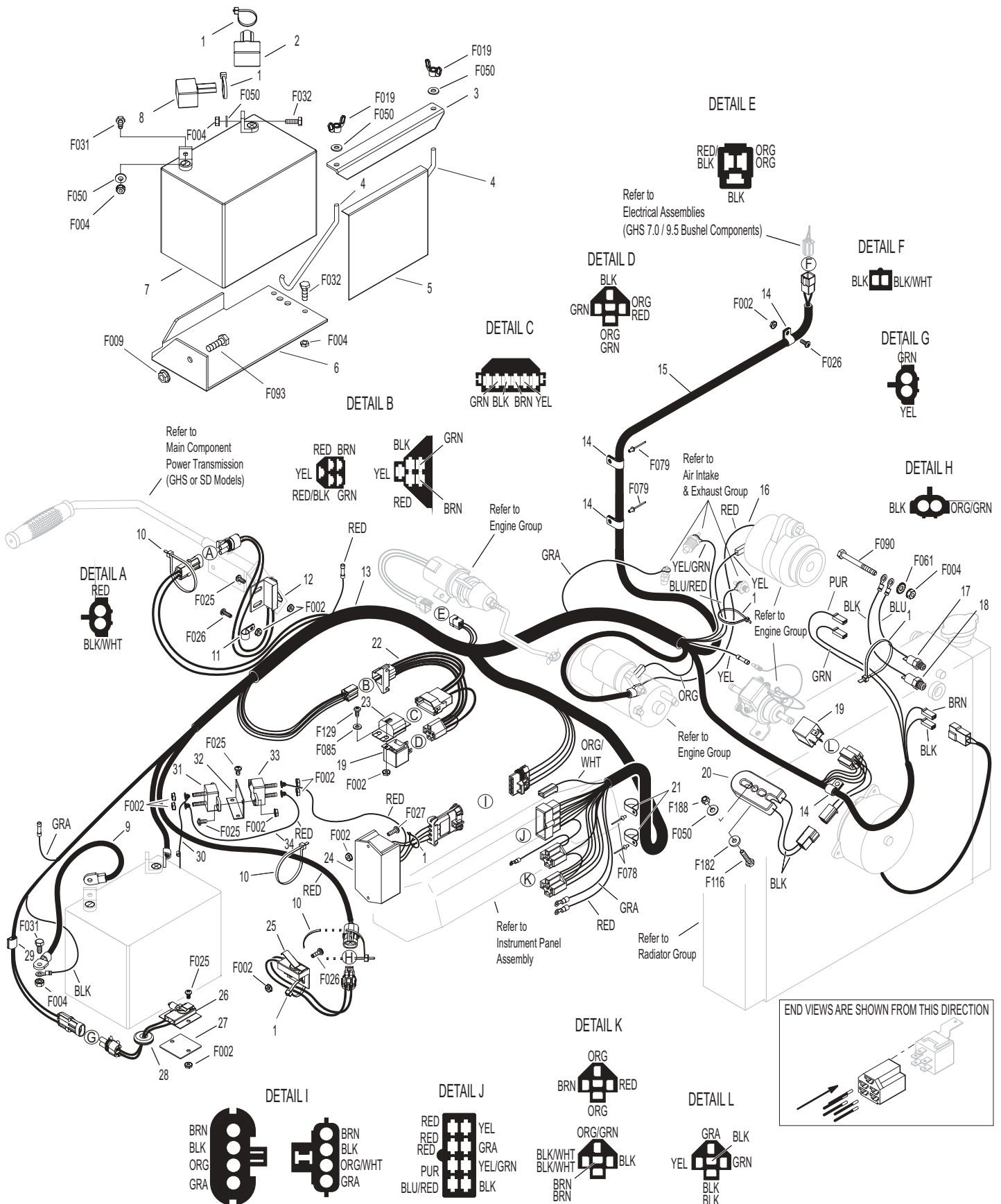
ELECTRICAL ASSEMBLY

ITEM NO.	PART NO.	DESCRIPTION	NO. REQ'D	ITEM NO.	PART NO.	DESCRIPTION	NO. REQ'D
Battery Assembly				Fasteners			
1	5975-1	Cable Tie (18# x 3-3/4")	5	F002		10-24 Keps Nut	16
2	5933	Battery Terminal Insul., Red (+)	1	F004		1/4-20 Keps Nut	6
3	5844	Battery Hold-Down Bar	1	F009		5/16-18 Whiz Locknut	1
4	5839	Hook Bolt	2	F019		1/4-20 ESNA Wing Nut	2
5	6392	Battery Protector Plate	1	F025		10-24 x 3/8 PPHMS	5
6	7390-1	Battery Pan	1	F026		10-24 x 1/2 PPHMS	4
7	7910	Battery (12V/340CCA/Dry)	1	F027		10-24 x 5/8 PPHMS	2
8	5932	Battery Terminal Insul., Black (-)	1	F031		1/4-20 x 5/8 Hex Bolt	2
9	6923	Battery Cable (-)	1	F032		1/4-20 x 3/4 Hex Bolt	2
Harness Assembly				F050		1/4 SAE Washer	5
10	5975-3	Cable Tie (50# x 7")	4	F061		1/4 Internal Star Lock Washer	1
11	5833	Cable Clamp (1/4)	1	F078		A/A64D Aluminum Pop Rivet	2
12	5942-4	PTO Safety Switch (NO)	1	F079		A/A66D Aluminum Pop Rivet	5
13	7940-9	Wire Harness	1	F085		3/16 Rivet Backup Washer	1
14	5832	Cable Clamp (1/2)	5	F090		1/4-20 x 2-1/2 Hex Bolt	1
15	7944	7.0 Wire Harness	1*	F093		5/16-18 x 1 Hex Bolt	1
	8950	9.5 Wire Harness	1*	F116		1/4-20 x 1-1/4 Hex Bolt	1
16	7938	Lead Wire (Battery Charge)	1	F129		10-24 x 1/2 PTHMS	1
17	7306-10	Switch (235 Deg., 1/4-18 NPT)	1	F182		5/8 x 1/4 x 1/8 Washer	1
18	7306-11	Switch (205 Deg., 3/8-18 NPT)	1	F188		1/4-20 Self Locking Nut	1
19	6941	Relay Switch 30/40 Amp (NC)	2	* Used on GHS Models with 7.0 Bushel Catcher only. When Optional GHS 9.5 Bushel Catcher is purchased, this part is replaced by P/N 8950 (9.5 Catcher Wire Harness). Refer to Optional GHS 9.5 BUSHEL CATCHER ASSEMBLY , Page 34.			
20	7433	Resistor, Ceramic / .4 OHM	1	NOTE: Refer to ELECTRICAL CONNECTORS , Page 42 for identification of all Electrical Wiring Service Parts.			
21	7833	Cable Clamp (7/8 x 1/4)	2	NOTE: Decals for this assembly are not shown here. Refer to TRACTOR DECALS , Page 2 for Decal listing and placement information.			
22	7948-2	Time Delay Harness	1				
23	7948-1	Time Delay Module	1				
24	7428-1	Fan Control Module W/P Plug	1				
25	5942-5	Safety Switch (NO)	1				
26	5941-5	Safety Switch (NO)	1				
27	7203-6	Riser Plate, Seat Switch	1				
28	5977-6	Grommet (1 x 1-1/4)	1				
29	5975-5	Wire Clip, Self-Mount	3				
30	7943	Battery Lead Wire (+)	1				
31	8941	Circuit Breaker (30 Amp) (Auto Reset/Sealed)	1				
32	7857-10	Breaker, Mount Bracket	1				
33	7941	Circuit Breaker (40 Amp) (Auto Reset/Sealed)	1				
34	7940-5	Circuit Breaker Jumper	1				

Use only genuine **Walker**[®] replacement parts.

Effective Date 05-01-04

ELECTRICAL ASSEMBLY



Effective Date 05-01-04

Use only genuine Walker® replacement parts.

ELECTRICAL ASSEMBLIES (GHS 7.0 / 9.5 BUSHEL COMPONENTS)

ITEM NO.	PART NO.	DESCRIPTION	NO. REQ'D
----------	----------	-------------	-----------

Horn & Harness Channel Assemblies

1	5975-3	Cable Tie (50# x 7")	2
2	5536-2	Horn, Full Signal	*

Harness & Grass-Pak® Switch Assemblies

3	7835	Frame Clip (3/16)	6
4	8950	9.5 Wire Harness	1
	7944	7.0 Wire Harness	*
5	5833	Cable Clamp (1/4)	2
6	5980-3	Wire, Grass-Pak® Switch	1
7	5592-11	Liquid Tight Plug	1
8	5592-10	Grass-Pak® Switch Module	1
	5592-4	Grass-Pak® Switch Assembly (Includes Items # 6-8 & 9)	*
9	5594-5	Vane Assembly, Grass-Pak® Switch (Includes Items # F144 & F145)	1
10	5977-2	Grommet, Cut (1/8 x 3/8)	1

ITEM NO.	PART NO.	DESCRIPTION	NO. REQ'D
----------	----------	-------------	-----------

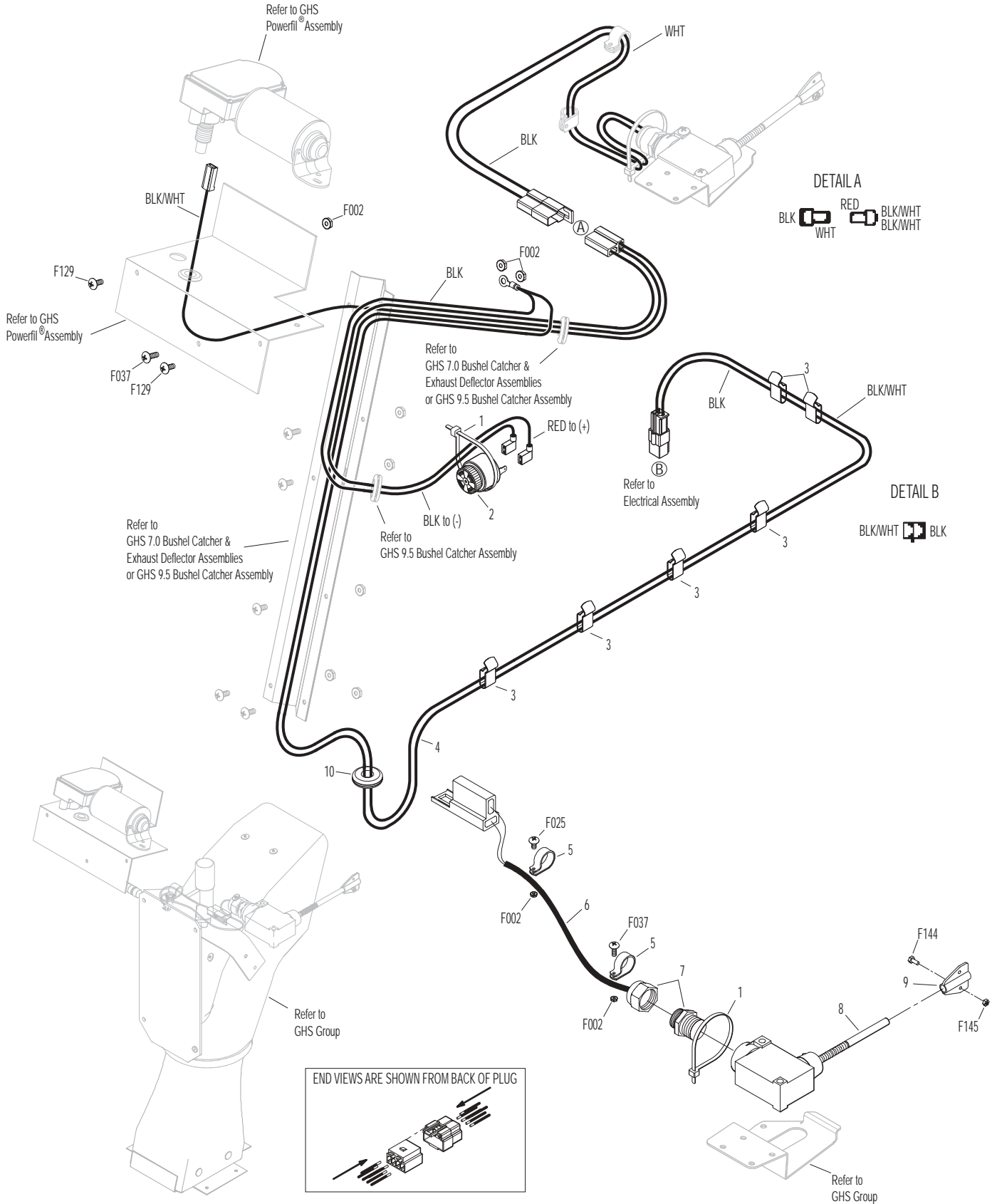
Fasteners

F002	10-24 Keps Nut	5
F025	10-24 x 3/8 PPHMS	1
F037	10-24 x 5/8 PTH Screw	2
F129	10-24 x 1/2 PTHMS	2
F144	4-40 x 1/4 PPHMS	1
F145	4-40 Keps Nut	1

* Service Part Only

NOTE: Refer to **ELECTRICAL CONNECTORS**, Page 42 for identification of all Electrical Wiring Service Parts.

ELECTRICAL ASSEMBLIES (GHS 7.0 / 9.5 BUSHEL COMPONENTS)



Effective Date 05-01-04

Use only genuine Walker® replacement parts.

ELECTRICAL CONNECTORS

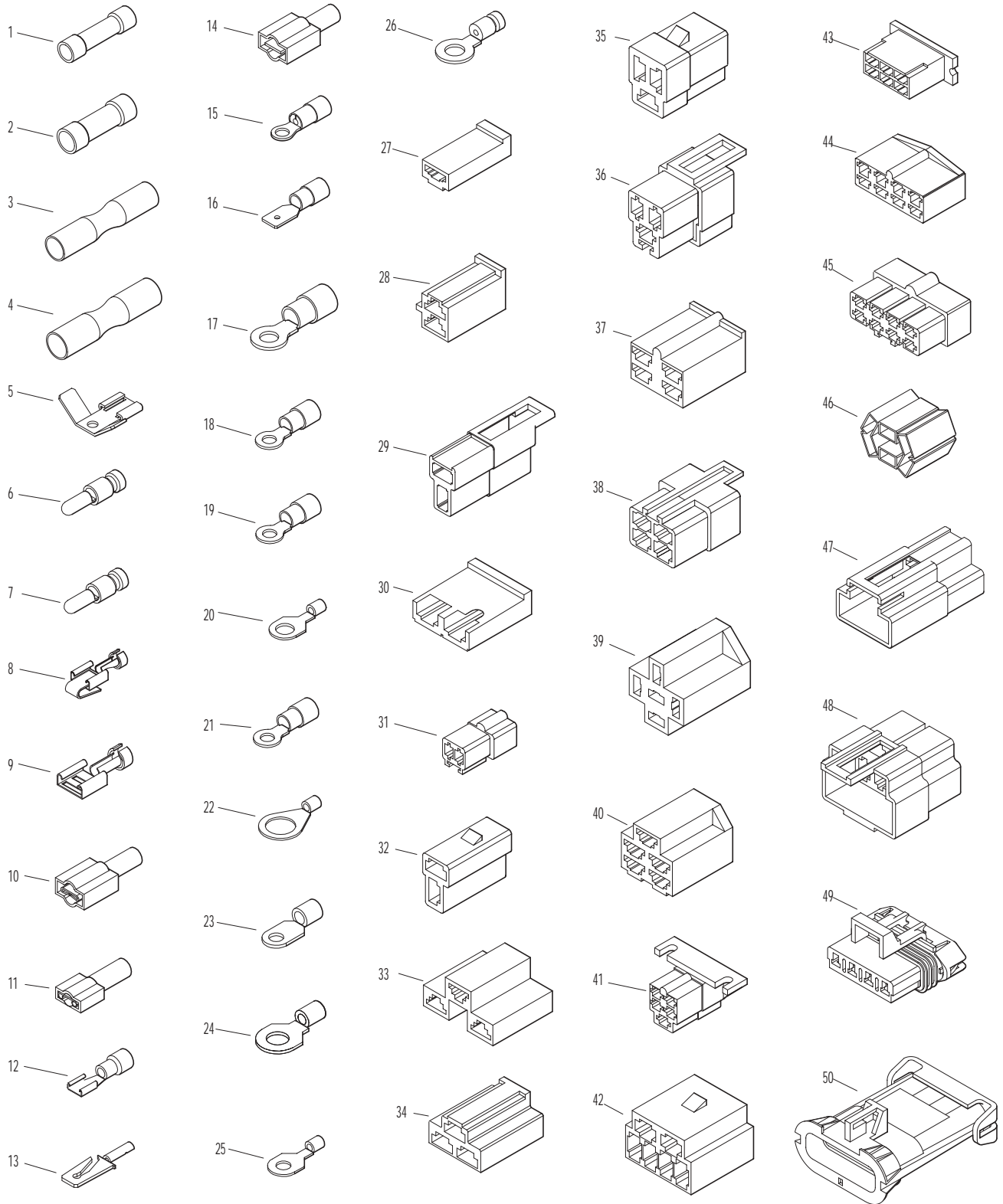
ITEM NO.	PART NO.	DESCRIPTION	NO. REQ'D	ITEM NO.	PART NO.	DESCRIPTION	NO. REQ'D
Electrical Wiring Service Parts				29	7942-1	2-Way Locking Connector, Female	*
1	5996-1	16-14 GA Butt Connector	*	30	7942-2	2-Way Connector, Male	*
2	5996-11	12-10 GA Butt Connector	*	31	7942-3	2-Way Connector, Female	*
3	7942-14	14-16 GA Shrink Connector	*	32	7942-10	2-Way Locking Connector, Male	*
4	7942-13	10-12 GA Shrink Connector	*	33	5940-8	3-Way Connector, Male	*
5	5995-1	Wire Terminal Adapter	*	34	7942-9	3-Way Connector, Male	*
6	5996-4	16-14 GA Bullet Conn., Male	*	35	8944	3-Way Locking Connector, Male	*
7	5996-5	16-14 GA Bullet Conn., Female	*	36	8944-1	3-Way Locking Connector, Female	*
8	5940-4	16-14 GA Spg. Loaded Term., Female	*	37	7942-11	4-Way Connector, Male	*
9	5940-7	Wire Clip, Female	*	38	7942-12	4-Way Connector, Female	*
10	5996	1/4 x 16-14 GA QKS Term., Female	*	39	7942-5	5-Way Connector, Male	*
11	5996-2	3/16 x 22-18 GA QKS Term., Female	*	40	5940-2	5-Way Connector, Male	*
12	7996	3/16 x 16-14 GA QKS Term., Female	*	41	8942-1	5-Way Connector, Female	*
13	5940-5	16-14 GA Spg. Loaded Term., Male	*	42	7942-6	6-Way Connector, Male	*
14	5996-0	1/4 x 22-18 GA QKS Term., Male	*	43	7942-7	6-Way Connector, Male	*
15	5996-18	16-14 GA Ring Term. (#8) Nylon Insulated	*	44	7942-8	8-Way Connector, Male	*
16	7996-1	1/4 x 16-14 GA QKS Term., Male	*	45	8942-2	8-Way Connector, Female	*
17	5996-8	6 GA Ring Lug (5/16)	*	46	8942-3	5-Way Connector, Male	*
18	5996-9	22-18 GA Ring Term., #10	*	47	5940-9	3-Way Connector (M)	*
19	5996-10	16-14 GA Ring Term. (5/16)	*	48	7942-15	6-Way Connector (Female)	*
20	5996-12	12-10 GA Ring Term. (5/16)	*	49	7940-3	Packard Plug (Male)	*
21	5996-13	16-14 GA Ring Term., # 10	*	50	7940-4	Packard Plug (Female)	*
22	5996-15	12-10 GA Ring Term. (1/2)	*				
23	5996-16	6 GA Ring Terminal (1/4)	*				
24	5996-17	16-14 GA Ring Term. (1/4)	*				
25	5996-20	12-10 GA Ring Term. (1/4)	*				
26	5996-21	12-10 GA Ring Term., #10	*				
27	7942-4	Single Connector, Male	*				
28	8942	2-Way Connector, Male	*				

* Service Part Only

NOTE: Not all Electrical Connectors are used with all assemblies.

NOTE: Refer to **ELECTRICAL ASSEMBLY**, Page 38 for locations of Wiring Harness and of all Electrical Wiring Service Parts.

ELECTRICAL CONNECTORS



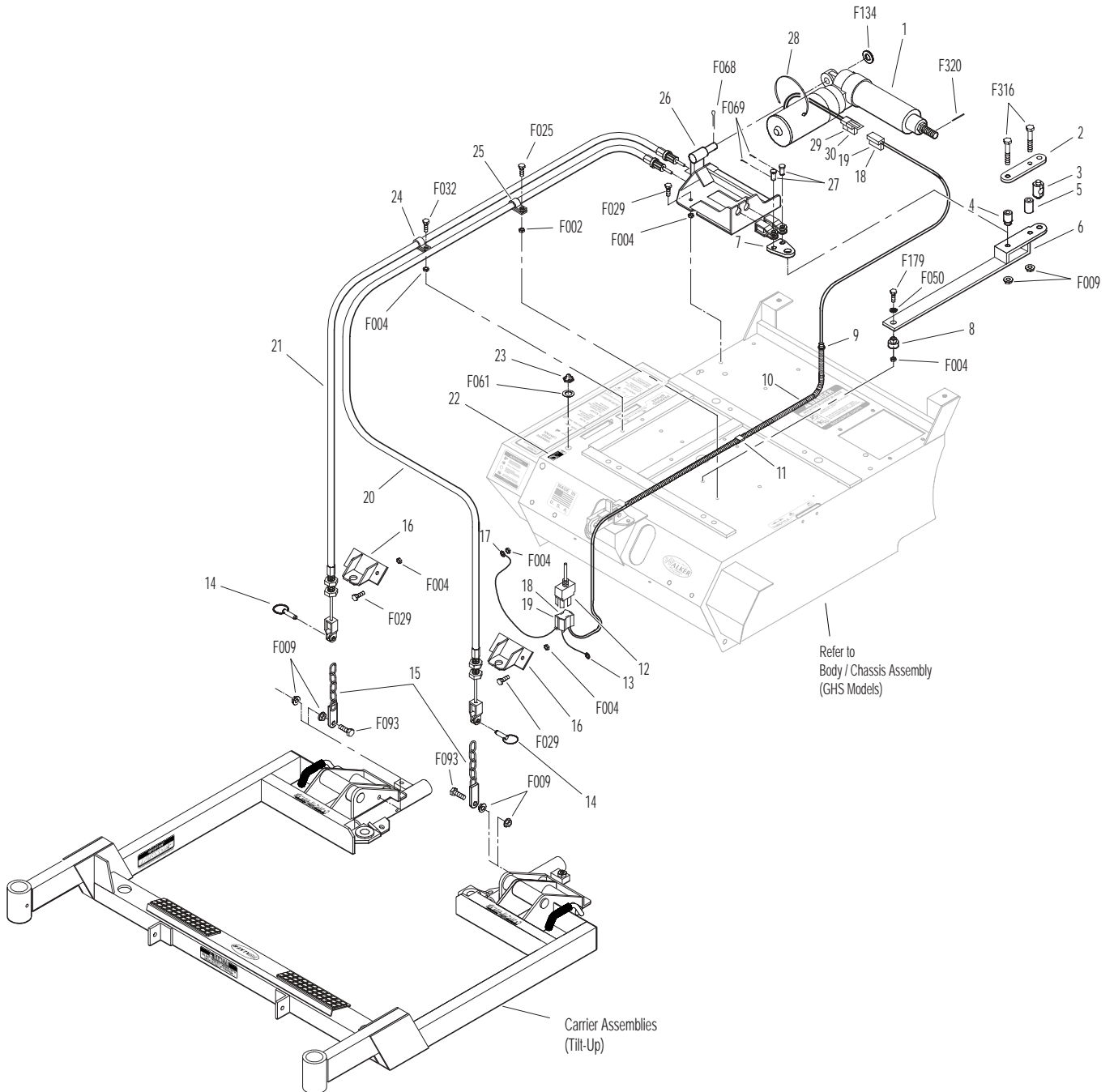
POWER DECK LIFT KIT

ITEM NO.	PART NO.	DESCRIPTION	NO. REQ'D	ITEM NO.	PART NO.	DESCRIPTION	NO. REQ'D
Kit 8655 Power Deck Lift Option / Kit Includes Items # 1-30, fasteners listed and instructions. May be ordered as a dealer-installed option. Contact your Walker dealer.				Fasteners			
1	8628	Linear Actuator (Includes Items # 29, 30 & F320)	1	F002		10-24 Keps Nut	1
2	8655-8	Clamp Bar	1	F004		1/4-20 Keps Nut	14
3	7503-10	Actuator Drive Bushing	1	F009		5/16-18 Whiz Locknut	6
4	8655-11	Bushing (5/8 x 5/16 x 1-1/16)	1	F025		10-24 x 3/8 PPHMS	1
5	8655-10	Bushing (5/8 x 5/16 x 1-1/16)	1	F029		1/4-20 x 1/2 Hex Bolt	8
6	8655-7	Arm, Deck Lift	1	F032		1/4-20 x 3/4 Hex Bolt	1
7	8655-9	Cable Pull	1	F050		1/4 SAE Washer	1
8	8655-12	Bushing (3/4 x 1/4 x 3/4)	1	F061		1/4 Star Lock Washer	1
9	5977-1	Grommet (1/8 x 3/8)	1	F068		1/8 x 1 Cotter Pin	1
10	8649	Wire Harness	1	F069		3/32 x 1/2 Cotter Pin	2
11	5975-5	Wire Clip, Self Mount	1	F093		5/16-18 x 1 Hex Bolt	2
12	6623	Toggle Switch	1	F134		AN960816L Washer	1
13	5996-21	12-10 GA Ring Terminal (# 10)	*	F179		1/4-20 x 1 Hex Bolt	1
14	8655-1	Hitch Pin/Cotterless (5/8)	2	F316		5/16-18 x 1-3/4 Hex Bolt	2
15	8655-6	Lift Chain	2	F320		1/8 x 3/4 Split Spring Pin	*
16	8655-5	Cable Mount	2				
17	5996-20	12-10 GA Ring Terminal (1/4)	*				
18	8942-3	5-Way Connector (M)	*				
19	5940-4	16-14 GA Spring-Loaded Terminal (F)	*				
20	8655-3	Cable, LH (48")	1				
21	8655-2	Cable, RH (38.5")	1				
22	8654	Decal, Deck Lift	1				
23	6623-1	Switch Boot	1				
24	6832	Cable Clamp (9/16 x 1/4)	1				
25	5832	Cable Clamp (1/2)	1				
26	8655-22	Base, Deck Lift	1				
27	8655-4	Clevis Pin (5/16 x 3/4)	2				
28	5975-3	Cable Tie (#50 x 7")	3				
29	7942-1	2-Way Locking Connector (F)	*				
30	5940-5	16-14 GA Spring-Loaded Terminal (M)	*				

* Service Part Only

NOTE: Power Deck Lift is not compatible with Comfort Seat or Suspension Seat.

POWER DECK LIFT KIT

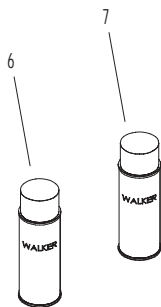
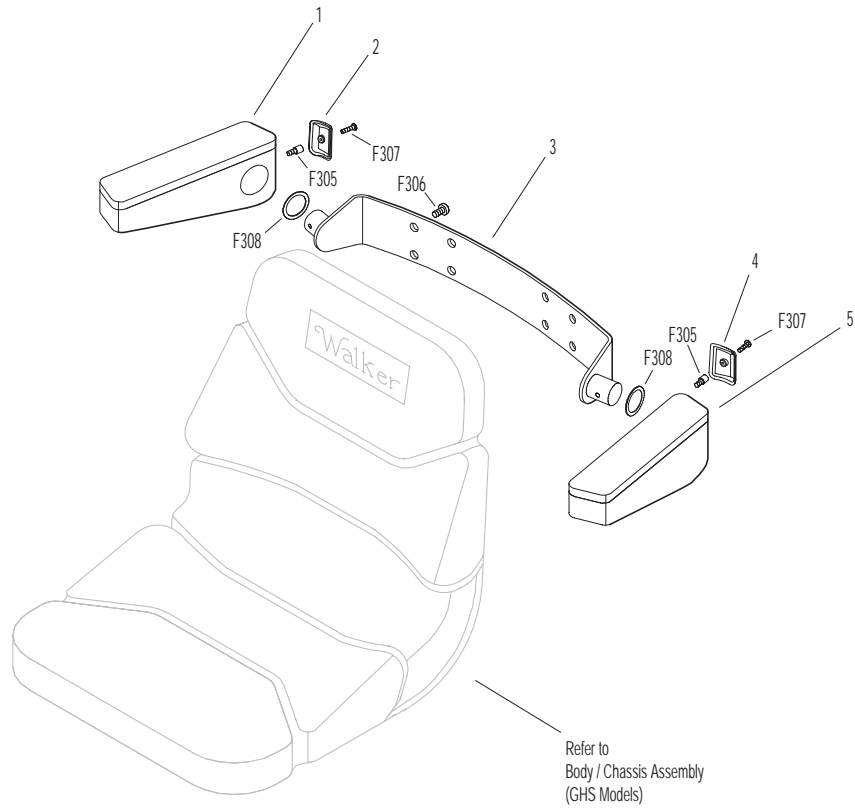


ARMREST KIT / TOUCH-UP PAINT

ITEM NO.	PART NO.	DESCRIPTION	NO. REQ'D	ITEM NO.	PART NO.	DESCRIPTION	NO. REQ'D
Kit 5885 Armrest Option / Kit Includes Items # 1-5, fasteners listed and instructions. May be ordered as a dealer-installed option. Contact your Walker dealer.				Touch-Up Paint			
1	5886-1	Armrest, RH	1	6	5866	Touch-Up Paint, Yellow (12 oz. Aerosol)	
2	5886-6	Cover Plate, RH	1	7	5867	Touch-Up Paint, Grey (12 oz. Aerosol)	
3	5887	Mounting Bracket	1	Fasteners			
4	5886-5	Cover Plate, LH	1	F305		1/4-20 x 3/8 SH Cap Screw	2
5	5886-2	Armrest, LH	1	F306		3/8-16 x 3/4 Hex Bolt	4
	5888	Armrest Hardware Kit	*	F307		#10 x 5/8 PPHST Screw	2
		(Includes Items # F305, F306, F307 & F308)		F308		1-1/4 x 1-5/8 Wave Spring Washer	2

* Service Part Only

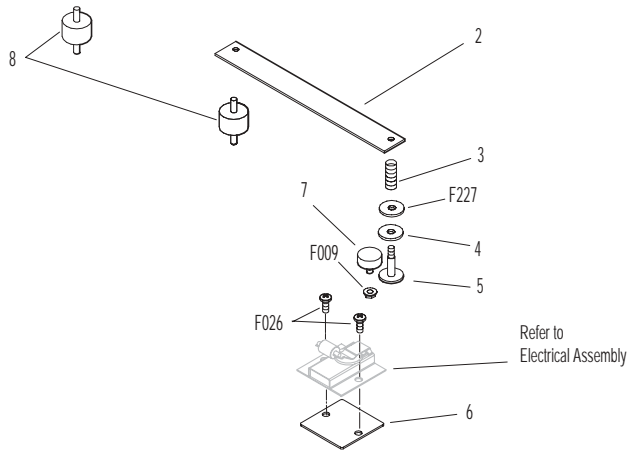
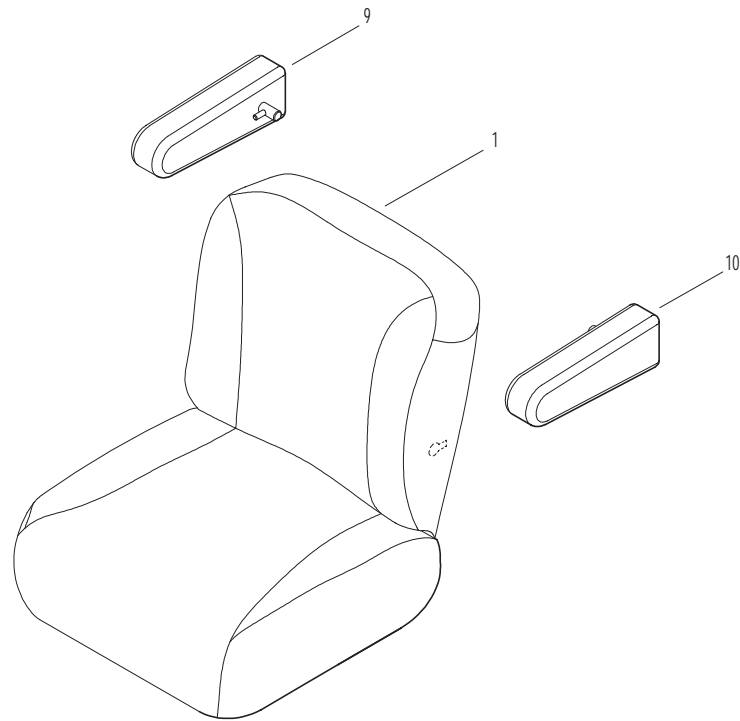
ARMREST KIT / TOUCH-UP PAINT



COMFORT SEAT / ARMREST KIT

ITEM NO.	PART NO.	DESCRIPTION	NO. REQ'D	ITEM NO.	PART NO.	DESCRIPTION	NO. REQ'D
Kit 6103-5 Comfort Seat Kit (Cordura) Includes Items # 1, 6, fasteners listed and instructions. May be ordered as a dealer-installed option. Contact your Walker dealer.				Fasteners			
1	6103-5	Comfort Seat	1	F009		5/16-18 Whiz Locknut	*
2	7203	Seat Spring Plate	*	F026		10-24 x 1/2 PPHMS	2
3	7223	Compression Spring (1/2 x 1)	*	F227		3/8 x 1-1/4 x 1/8 Plastic Washer	*
4	7846	Rubber Washer (3/8 x 1-1/4 x 1/8)	*	* Reuse existing parts from Seat Assembly. Refer to BODY / CHASSIS ASSEMBLY (GHS MODELS) , Page 4.			
5	7204	Shoulder Bolt, Seat Mount	*	** Only one Riser Plate is included with kit. One is reused from Seat Assembly. Refer to BODY / CHASSIS ASSEMBLY (GHS MODELS) , Page 4.			
6	7203-6	Riser Plate, Seat Switch	**				
7	7845	Rubber Bumper (1.375 x .63)	*				
8	7440-5	Shock Mount (1-1/4 x 2)	*				
Kit 6103-17 Armrest Option / Kit Includes Items # 9, 10 and instructions. Item # 9 is the Right side armrest only. Item # 10 is the Left side armrest only. Sold only as a complete set and may be ordered together as a factory-installed option or as a kit for dealer installation. Contact your Walker dealer.							
9	6103-42	Armrest, RH/Cordura	1				
10	6103-41	Armrest, LH/Cordura	1				

COMFORT SEAT / ARMREST KIT



SUSPENSION SEAT KIT

ITEM NO.	PART NO.	DESCRIPTION	NO. REQ'D
----------	----------	-------------	-----------

Kit 6103-9 Armrest Kit

Includes Items # 1-6 and instructions. May be ordered as a factory-installed option or as a kit for dealer installation. Contact your Walker dealer.

1	6103-92	Armrest, RH/SS	1
2	NS	5/8 Nut Cover	4
3	NS	7/16-20 x 13/4 HHCS	4
4	NS	3/8 SAE Washer	4
5	NS	Bushing, 3/4 x 3/4	4
6	6103-91	Armrest, LH/SS	1

Kit 6103-25 Suspension Seat Option / Kit

Includes Items # 7-9, 11-13, 17, 20, fasteners listed (except as indicated; refer to **NOTE**) and instructions. May be ordered as a factory-installed option or as a kit for dealer installation. Contact your Walker dealer.

7	6103-11	Suspension Seat	1
8	5941-5	Safety Switch (Normal Open)	*
9	6103-33	Seat Mount Plate, LH	1
10	7223	Compression Spring (1/2 x 1)	2
11	5975-3	Cable Tie (50# x 7")	2
12	5975-1	Cable Tie (18# x 3-3/4")	1
13	6103-23	Wire Harness, Suspension Seat	1
14	7846	Rubber Washer (3/8 x 1-1/4 x 1/8)	2
15	7204	Shoulder Bolt, Seat Mount	2
16	5453-20	Steering Lever Handle (+1"), Adj.	2
17	5977-5	Grommet	2
18	5841	Retainer Washer	2
19	7845	Rubber Bumper (1.375 x 0.63)	2
20	7440-5	Shock Mount (1-1/4 x 2)	2
21	6103-34	Seat Mount Plate, RH	1

ITEM NO.	PART NO.	DESCRIPTION	NO. REQ'D
----------	----------	-------------	-----------

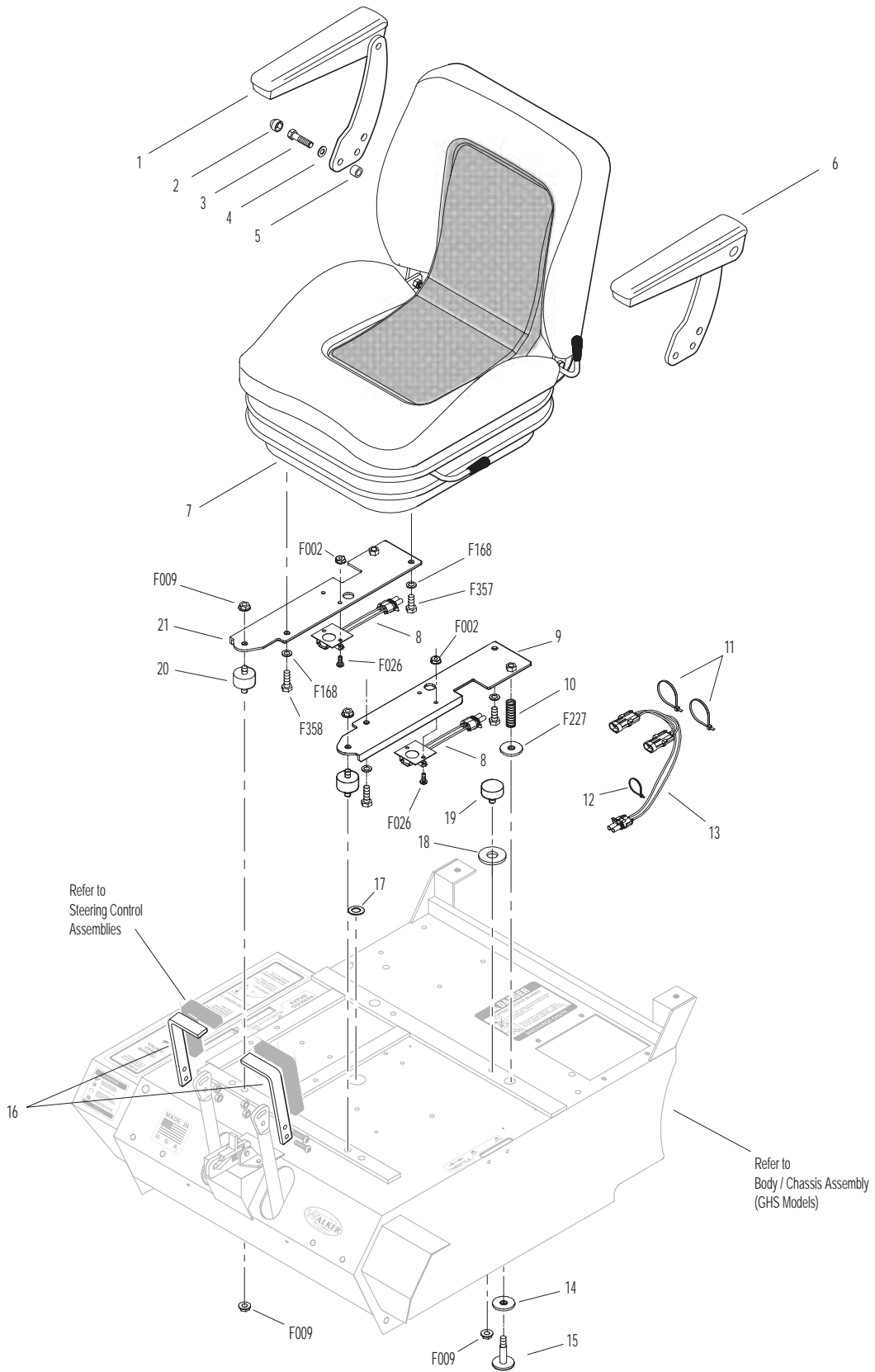
Fasteners

F002	10-24 Keps Nut	4
F009	5/16-18 Whiz Locknut	4
F026	10-24 x 1/2 PPHMS	4
F168	5/16 Split Lock Washer	4
F227	3/8 x 1-1/4 x 1/8 Washer (Plastic)	2
F357	M8 x 16 Hex Bolt	2
F358	M8 x 25 Hex Bolt	2

* Only one switch is included with kit. One is reused from Seat Assembly. Refer to **ELECTRICAL ASSEMBLY**, Page 38.

NOTE: Reuse items # 8, 10, 14-15, 18, two (2) each of the F002, F009 and F026 fasteners, and item # F227 from Seat Assembly. Refer to **BODY / CHASSIS ASSEMBLY (GHS MODELS)**, Page 4 and **ELECTRICAL ASSEMBLY**, Page 38.

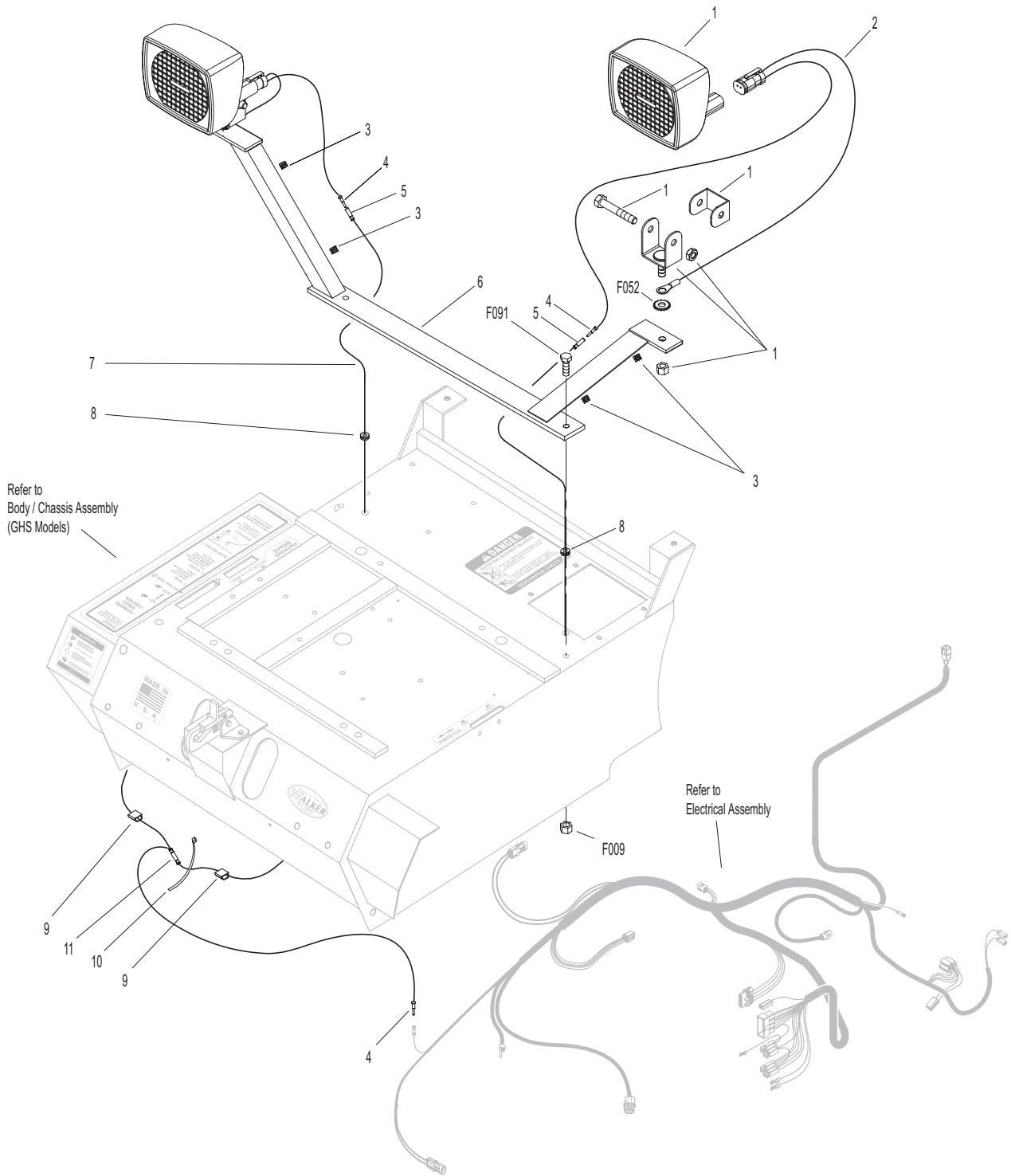
SUSPENSION SEAT KIT



LIGHT KIT

ITEM NO.	PART NO.	DESCRIPTION	NO. REQ'D	ITEM NO.	PART NO.	DESCRIPTION	NO. REQ'D
Kit 7989-1 Light Option / Kit Includes Items # 1-11, fasteners listed and instructions. May be ordered as a dealer-installed option. Contact your Walker dealer.				Fasteners			
1	7989-2	Light Assembly (Halogen) (Includes Items # 2 & 4) (Includes Halogen Bulb)	2	F009		5/16-18 Whiz Locknut	2
	7989-6	Halogen Bulb Replacement	*	F052		5/16 Ext. Star Lock Washer	2
2	7989-3	Wire Harness Extension	2	F091		5/16-18 x 5/8 Hex Bolt	2
3	7834-1	Half U-Wire Clip	4	* Service Part Only			
4	5996-4	16-14 GA Bullet Cntr. (M)	3	NOTE: Upon installation of kit, Item # 8 replaces P/N 5989-4 (Dome Plug, 3/8) and Item # F091 replaces P/N 5989-3 (Dome Plug, 5/16). Dome Plugs are not shown here. Refer to BODY / CHASSIS ASSEMBLY (GHS MODELS) , Page 4.			
5	5996-5	16-14 GA Bullet Cntr. (F)	2	NOTE: Refer to ELECTRICAL CONNECTORS , Page 42 for identification of all Electrical Wiring Service Parts.			
6	7993	Mount Bracket, Lights	1				
7	7995-3	Power Lead Wire Assembly (Includes Items # 4, 5, 8, 10 & 11)	1				
8	5977-1	Grommet (1/8 x 3/8)	2				
9	5975-5	Wire Clip, Self-Mount	3				
10	5975-1	Cable Tie (18# x 3-3/4")	1				
11	5996	1/4 x 16-14 GA QDF Terminal	1				

LIGHT KIT



BLOWER LOCKOUT KIT / CASE-HARDENED BLOWER

ITEM NO.	PART NO.	DESCRIPTION	NO. REQ'D
----------	----------	-------------	-----------

Kit 6541 Blower Lockout Kit

Includes Items # 1-7, fasteners and instructions. May be ordered as a kit for dealer installation. Contact your Walker dealer.

1	7854	Plastic Tip, Red	*
2	6541-2	Blower Lockout Rod (Includes Item #1)	1
3	6541-1	Blower Lockout Latch	1
4	5280	Clevis (1/4)	1
5	5281-5	Clevis Pin (1/4 x 0.80)	1
6	6541-3	Blower Lockout Pivot Arm	1
7	6541-4	Blower Lockout Belt Guide	1

ITEM NO.	PART NO.	DESCRIPTION	NO. REQ'D
----------	----------	-------------	-----------

Kit 6542-15 Case Hardened Blower Option

Includes Items # 8-13, fasteners and instructions. May be ordered as a kit for dealer installation. Contact your Walker dealer.

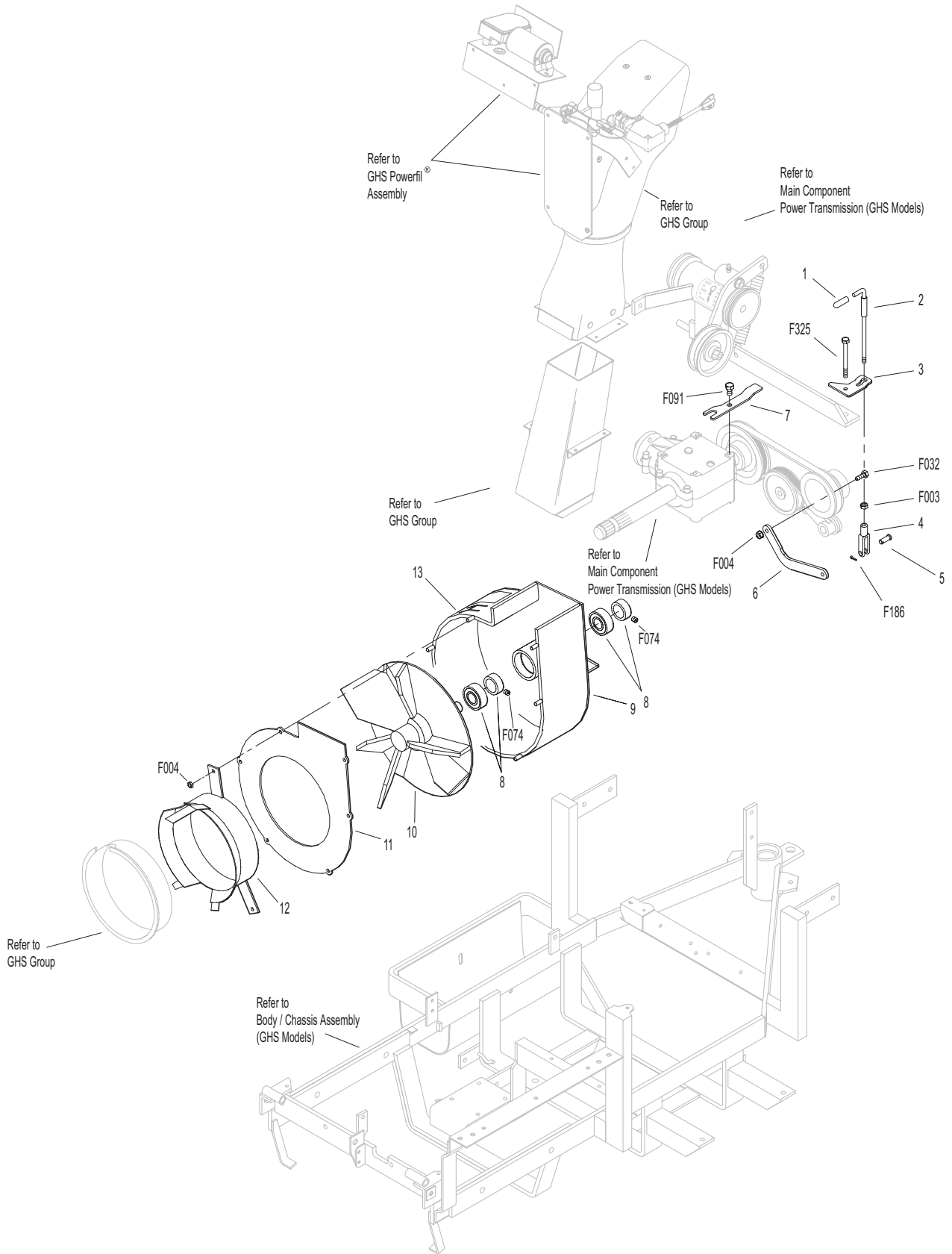
8	5268	Bearing W/Collar (3/4)	2
9	6543-15	Case Hardened Blower Housing	1
10	6545-15	Case Hardened Blower Wheel	1
11	6525-2	Faceplate (10" Blower)	1
12	6526	Intake Tube (6-1/2 x 2-1/2)	1
13	6542-50	Decal, "H" (5/8)	1

Fasteners

F003	1/4-28 Hex Nut	1
F004	1/4-20 Keps Nut	7
F032	1/4-20 x 3/4 Hex Bolt	1
F074	1/4-20 x 3/8 Set Screw	2
F091	5/16-18 x 5/8 Hex Bolt	1
F186	5/64 x 1/2 Cotter Pin	1
F325	1/4-20 x 3 Hex Bolt	1

* Service Part Only

BLOWER LOCKOUT KIT / CASE-HARDENED BLOWER



SPEED UP KIT

ITEM NO.	PART NO.	DESCRIPTION	NO. REQ'D
----------	----------	-------------	-----------

Kit 7247 Speed-Up Kit

Includes Items # 1-2 and instructions. May be ordered as a factory-installed option or as a kit for dealer installation. Contact your Walker dealer.

1	6238	Drive Belt (3VX345)	1
2	7240-1	Jackshaft Drive Pulley (3-1/2/3V) (Includes Items # F067 & F171)	1

ITEM NO.	PART NO.	DESCRIPTION	NO. REQ'D
----------	----------	-------------	-----------

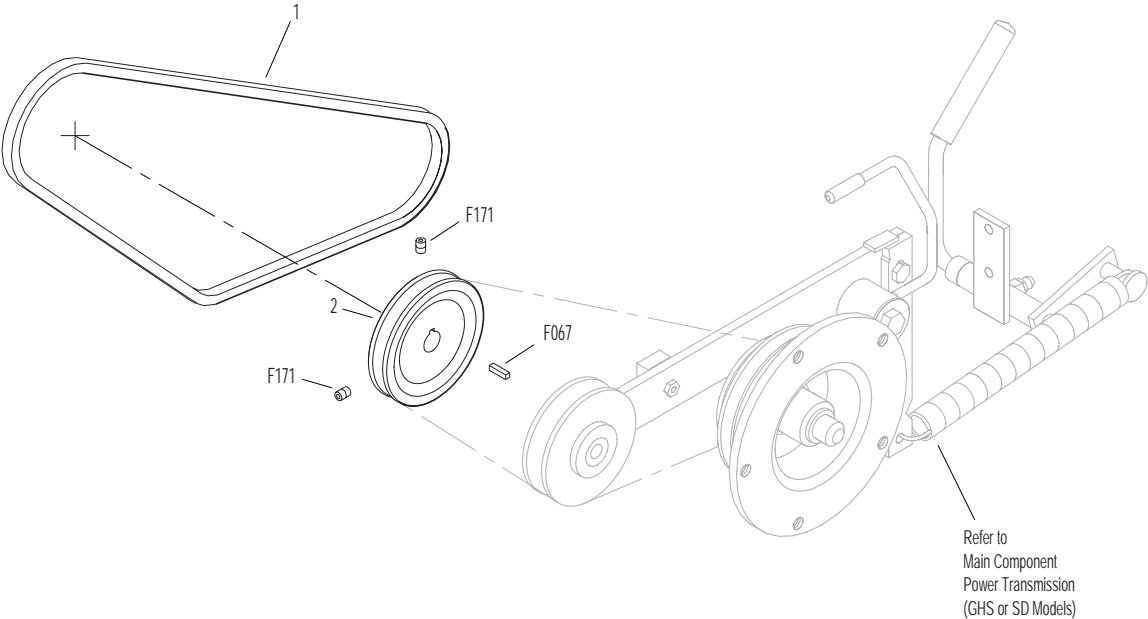
Fasteners

F067		3/16 x 3/16 x 1 Key	1
F171		5/16-18 x 3/8 Set Screw	*

* Service Part Only

NOTE: Used on Serial Number 02-60025 and after.

SPEED UP KIT



POWER DUMP KIT (7.0 BUSHEL GHS MODELS ONLY)

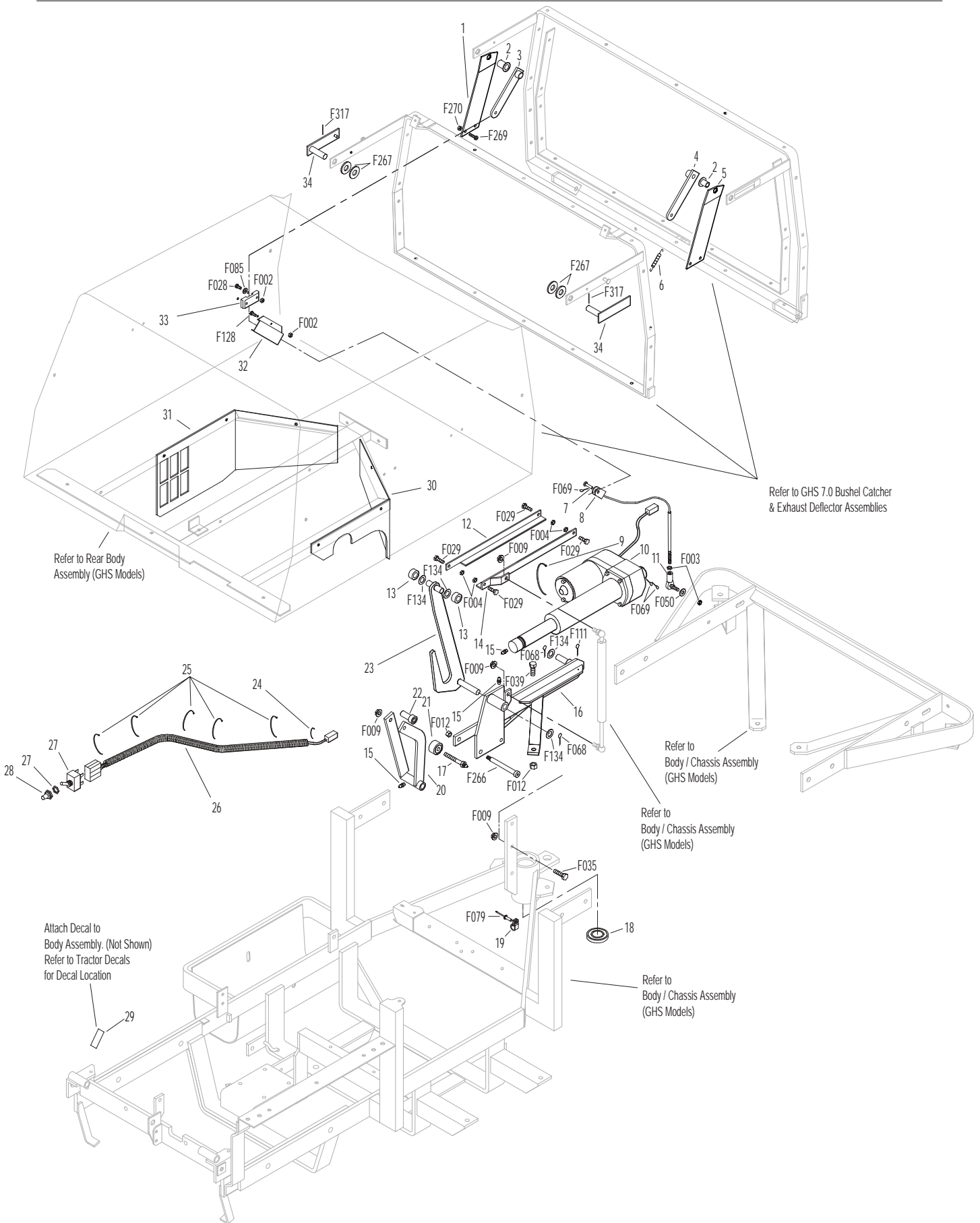
ITEM NO.	PART NO.	DESCRIPTION	NO. REQ'D
Kit 7620-13 Power Dump Option / Kit (7.0 Models Only)			
Includes Items # 1-34, fasteners listed and instructions. May be ordered as a factory-installed option or as a kit for dealer installation. Contact your Walker dealer. Not to be used with optional Dump Bag Kits.			
1	5522-20	Hinge Backup Plate/RH/PD	1
2	7620-3	Door Pivot Bushing (9/16 x 1/2)	2
3	7612-2	Door Actuator Arm, RH	1
4	7612-1	Door Actuator Arm, LH	1
5	5522-10	Hinge Backup Plate/LH/PD	1
6	7610-5	Extension Spring (1/4 x 2-7/8)	1
7	7523-2	Clevis Pin (1/4 x 5/8)	2
8	7623	Power Dump Cable	2
9	5975-7	Cable Tie (50# x 11")	1
10	7621	Linear Actuator/7.0	1
11	5552	Ball Joint (1/4-28)	2
12	7628-1	Channel Angle, RH	1
13	7620-9	Roller Wheel	2
14	7629	Channel Angle, LH	1
15	5830	Grease Fitting	3
16	7626-0	Actuator Mount	1
17	7624-1	Roller Bearing Bolt	1
18	5842-1	Washer, Axle Spacer	1
19	5832	Cable Clamp (1/2)	1
20	7627	Front Actuator Mount	1
21	7624	Sealed Needle Bearing	1
22	7630-3	Ram Pivot and Spacer	1
23	7625	Fork	1
24	5975-1	Cable Tie (18# x 3-3/4")	1
25	5975-3	Cable Tie (50# x 7")	5
26	7622	Wire Harness	1
27	6623	Toggle Switch	1
28	6623-1	Switch Boot	1
29	7633	Decal, Power Dump	1
30	7104-5	Rear Body Panel, LH	1
31	8105-4	Rear Body Panel, RH	1
32	7620-12	Cable Rod Guide (7.0)	2
33	7620-6	Cable Guide	2
34	7613	Door Actuator	2

ITEM NO.	PART NO.	DESCRIPTION	NO. REQ'D
Fasteners			
	F002	10-24 Keps Nut	5
	F003	1/4-28 Hex Nut	4
	F004	1/4-20 Keps Nut	4
	F009	5/16-18 Whiz Locknut	4
	F012	3/8-16 Keps Nut	2
	F028	10-24 x 3/4 PPHMS	4
	F029	1/4-20 x 1/2 Hex Bolt	4
	F035	5/16-18 x 1-1/4 Hex Bolt	1
	F039	3/8-16 x 1-1/4 Hex Bolt	2
	F050	1/4 SAE Washer	2
	F068	1/8 x 1 Cotter Pin	2
	F069	3/32 x 1/2 Cotter Pin	4
	F079	A/A66D Aluminum Pop Rivet	1
	F085	3/16 Rivet Backup Washer	4
	F111	1/8 x 3/4 Cotter Pin	1
	F128	10-24 x 3/8 PTHMS	2
	F134	AN960816L Washer	4
	F266	1/2 x 2-3/4 Shoulder Bolt	1
	F267	1/2 x 1 x 1/16 Washer	4
	F269	10-32 x 5/8 PTHMS	4
	F270	10-32 Cap Nut	4
	F317	3/16 x 1 Split Spring Pin	2

NOTE: Two F009 Fasteners are reused from the Rear Gas Spring Assembly. Refer to **REAR BODY ASSEMBLY (GHS MODELS)**, Page 6.

NOTE: Refer to **ELECTRICAL CONNECTORS**, Page 42 for identification of all Electrical Wiring Service Parts.

POWER DUMP KIT (7.0 BUSHEL GHS MODELS ONLY)



Effective Date 05-01-04

Use only genuine **Walker®** replacement parts.

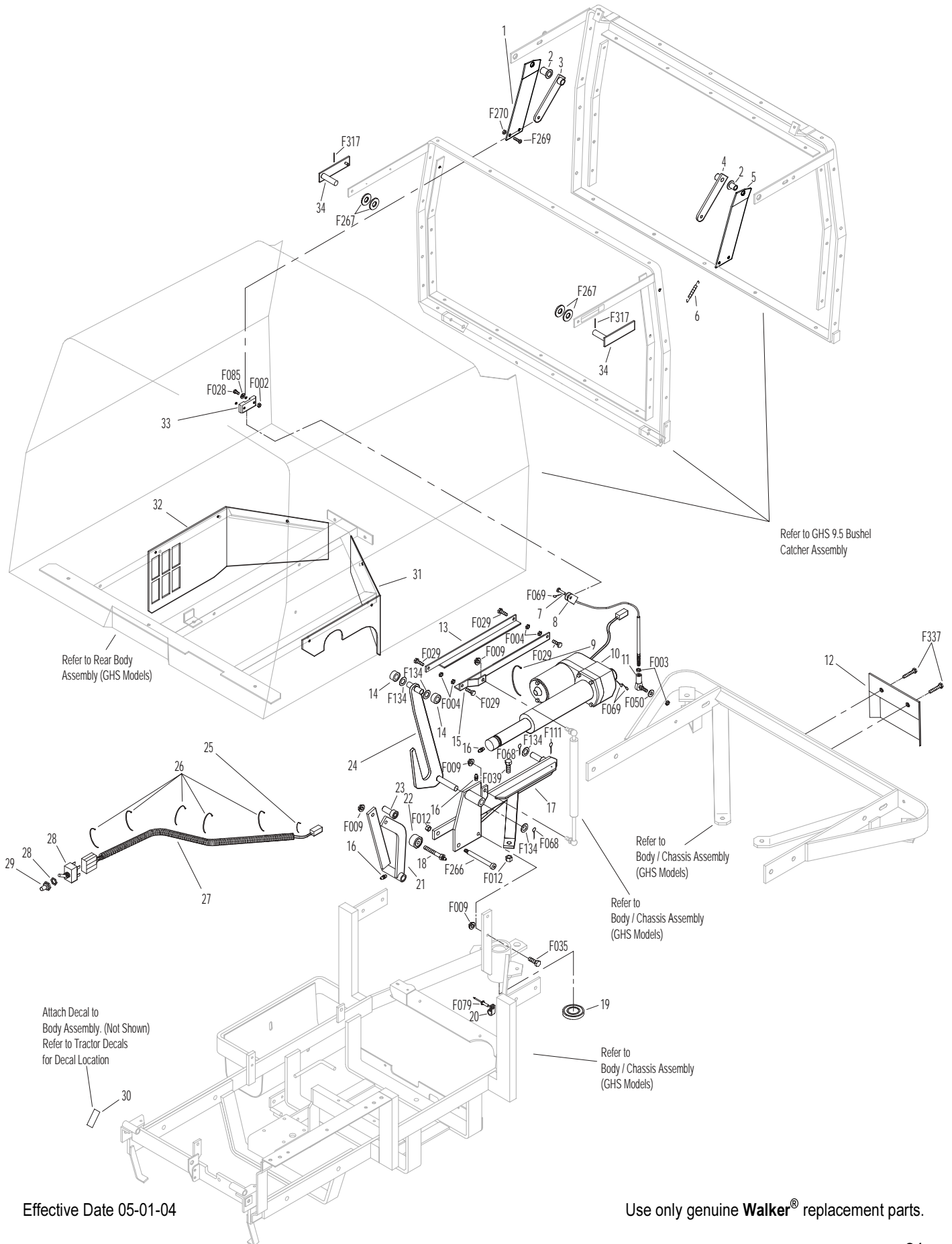
POWER DUMP KIT (9.5 BUSHEL GHS MODELS ONLY)

ITEM NO.	PART NO.	DESCRIPTION	NO. REQ'D	ITEM NO.	PART NO.	DESCRIPTION	NO. REQ'D	
Kit 8620-1 Power Dump Option / Kit (9.5 Models Only) Includes Items # 1-34, fasteners listed and instructions. May be ordered as a factory-installed option or as a kit for dealer installation. Contact your Walker dealer.				Fasteners				
1	5522-20	Hinge Backup Plate/RH/PD	1	F002		10-24 Keps Nut	6	
2	7620-3	Door Pivot Bushing (9/16 x 1/2)	2	F003		1/4-28 Hex Nut	4	
3	7612-2	Door Actuator Arm, RH	1	F004		1/4-20 Keps Nut	4	
4	7612-1	Door Actuator Arm, LH	1	F009		5/16-18 Whiz Locknut	3	
5	5522-10	Hinge Backup Plate/LH/PD	1	F012		3/8-16 Keps Nut	2	
6	7610-5	Extension Spring (1/4 x 2-7/8)	1	F028		10-24 x 3/4 PPHMS	2	
7	7523-2	Clevis Pin (1/4 x 5/8)	2	F029		1/4-20 x 1/2 Hex Bolt	4	
8	7623-2	Power Dump Cable	2	F035		5/16-18 x 1-1/4 Hex Bolt	1	
9	5975-7	Cable Tie (50# x 11")	1	F039		3/8-16 x 1-1/4 Hex Bolt	2	
10	7721	Linear Actuator/9.5	1	F050		1/4 SAE Washer	1	
11	5552	Ball Joint (1/4-28)	2	F068		1/8 x 1 Cotter Pin	2	
12	8620-5	Guard, 9.5 P.D. Motor	1	F069		3/32 x 1/2 Cotter Pin	4	
13	7628-1	Channel Angle, RH	1	F079		A/A66D Aluminum Pop Rivet	1	
14	7620-9	Roller Wheel	2	F085		3/16 Rivet Backup Washer	4	
15	7629	Channel Angle, LH	1	F111		1/8 x 3/4 Cotter Pin	1	
16	5830	Grease Fitting	3	F134		AN960816L Washer	4	
17	7636-1	Actuator Mount, 9.5	1	F266		1/2 x 2-3/4 Shoulder Bolt	1	
18	7624-1	Roller Bearing Bolt	1	F267		1/2 x 1 x 1/16 Washer	4	
19	5842-1	Washer, Axle Spacer	1	F269		10-32 x 5/8 PTHMS	4	
20	5832	Cable Clamp (1/2)	1	F270		10-32 Cap Nut	4	
21	7627	Front Actuator Mount	1	F317		3/16 x 1 Split Spring Pin	2	
22	7624	Sealed Needle Bearing	1	F337		1/4 - 20 x 5/8 Self Tap Bolt	2	
23	7630-3	Ram Pivot and Spacer	1					
24	7625	Fork	1					
25	5975-1	Cable Tie (18# x 3-3/4")	1					
26	5975-3	Cable Tie (50# x 7")	5					
27	7622	Wire Harness	1					
28	6623	Toggle Switch	1					
29	6623-1	Switch Boot	1					
30	7633	Decal, Power Dump	1					
31	7104-5	Rear Body Panel, LH	1					
32	8105-4	Rear Body Panel, RH	1					
33	7620-6	Cable Guide	2					
34	7613	Door Actuator	2					

NOTE: Two F009 Fasteners are reused from the Rear Gas Spring Assembly. Refer to **REAR BODY ASSEMBLY (GHS MODELS)**, Page 6.

NOTE: Refer to **ELECTRICAL CONNECTORS**, Page 42 for identification of all Electrical Wiring Service Parts.

POWER DUMP KIT (9.5 BUSHEL GHS MODELS ONLY)



Effective Date 05-01-04

Use only genuine Walker® replacement parts.

NO CATCH DEFLECTOR KIT / TAIL WEIGHT KIT

ITEM NO.	PART NO.	DESCRIPTION	NO. REQ'D
----------	----------	-------------	-----------

Kit 7500 (7.0 Bushel) No Catch Deflector Option / Kit
Includes Items # 1-5, fasteners and instructions.

Kit 8500 (9.5 Bushel) No Catch Deflector Option / Kit
Includes Items # 1-5, fasteners and instructions.

Both kits may be ordered as a dealer-installed option. Contact your Walker dealer.

1	7500	No-Catch Deflector Kit (7.0)	1
	8500	No-Catch Deflector Kit (9.5)	1
2	8500-5	Side Bracket	2
3	8787-2	Knob (1/4-20) Threaded Insert	1
4	8500-6	Spacer Lug	1
5	8500-8	Decal, No Catch Deflector	1

Kit 7647 Tail Weight Option / Kit

Includes Items # 6, F012, F039 and instructions. May be ordered as a dealer-installed option. Contact your Walker dealer.

6	7647-9	Tail Weight Strap	2
7	7647-5	Tail Weight Plate, 10-lb	*

ITEM NO.	PART NO.	DESCRIPTION	NO. REQ'D
----------	----------	-------------	-----------

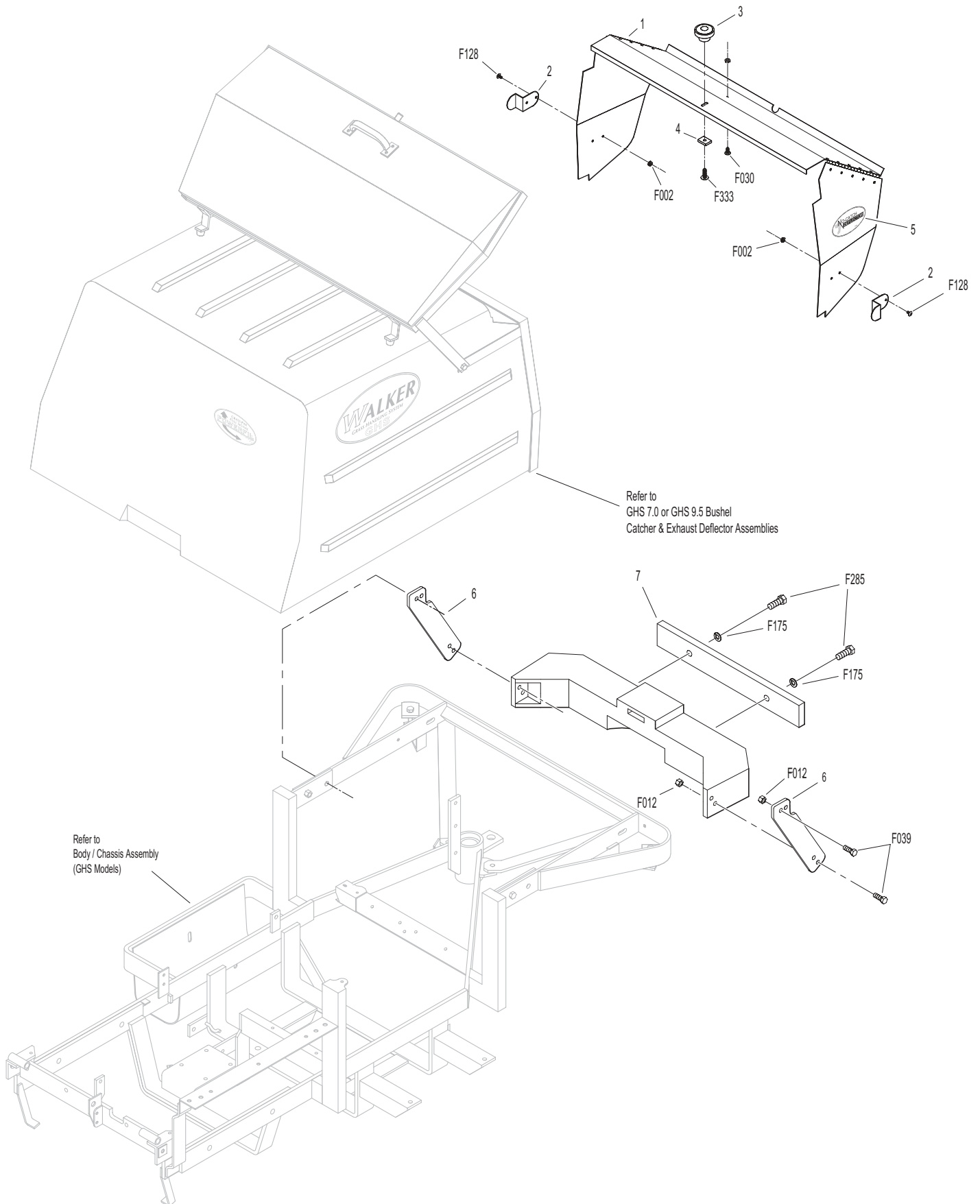
Fasteners

F002		10-24 Keps Nut	4
F012		3/8-16 Keps Nut	4
F030		1/4-20 x 1/2 PPH Bolt	1
F039		3/8-16 x 1-1/4 Hex Bolt	4
F128		10-24 x 3/8 PTHMS	4
F175		1/2 Split Lock Washer	2**
F285		1/2-13 x 1-1/2 Hex Bolt	2**
F333		1/4-20 x 3/4 PTHMS	1

* Optional

** Use with optional 10-lb plate.

NO CATCH DEFLECTOR KIT / TAIL WEIGHT KIT



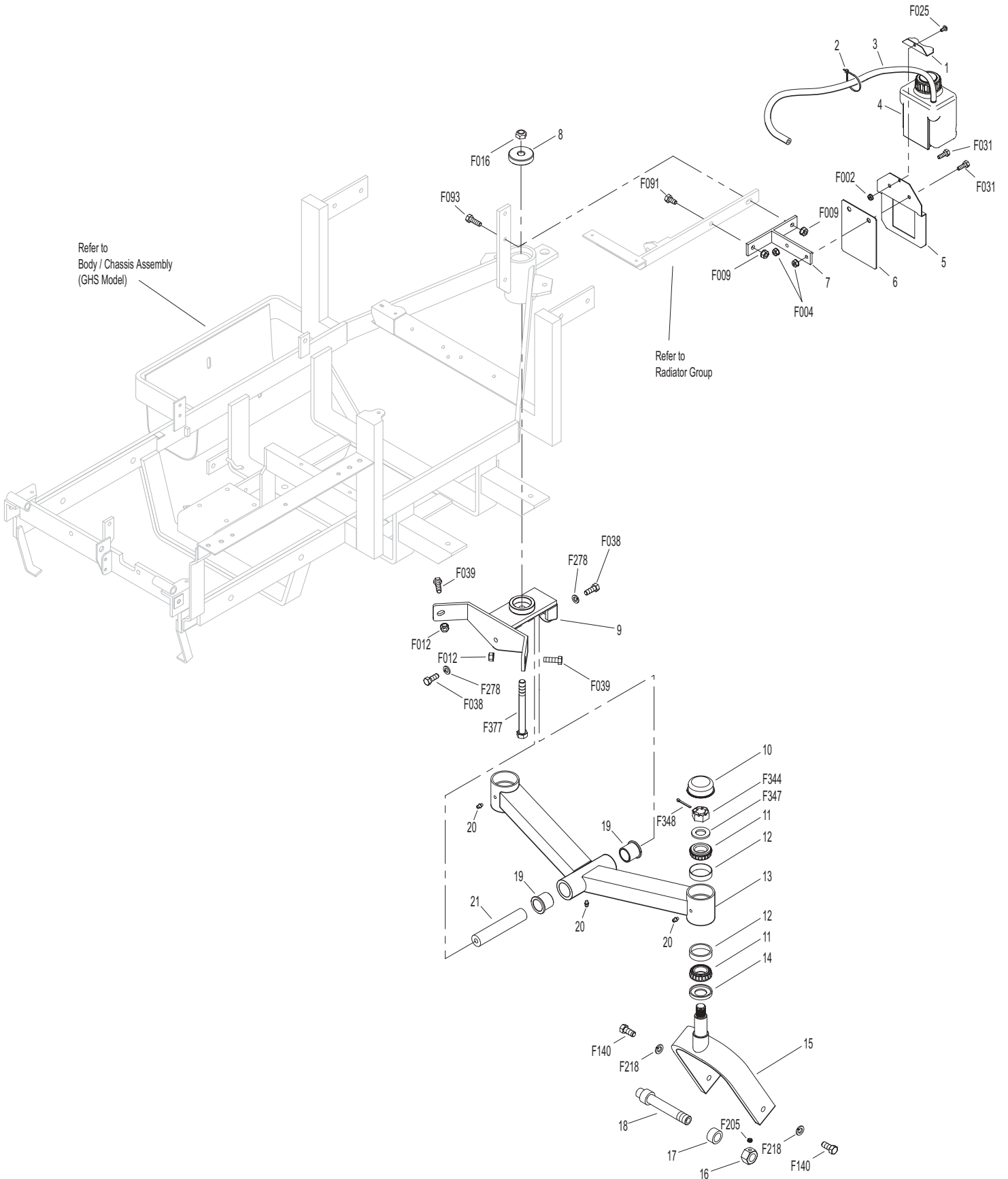
Effective Date 05-01-04

Use only genuine Walker® replacement parts.

SPREAD TAIL WHEEL AXLE KIT

ITEM NO.	PART NO.	DESCRIPTION	NO. REQ'D	ITEM NO.	PART NO.	DESCRIPTION	NO. REQ'D
Kit 7420-8 Coolant Tank Relocation Kit Includes Items # 1-7, fasteners & instructions. May be ordered as a dealer-installed option. Contact your Walker dealer.				Fasteners			
1	7427-33	Recovery Tank Keeper	1	F002		10-24 Keps Nut	1
2	5975-3	Cable Tie (50# x 7")	1	F004		1/4-20 Keps Nut	2
3	7427-8	Overflow Hose, 36"	1	F009		5/16-18 Whiz Locknut	2
4	7427-3	Coolant Recovery Tank	1	F012		3/8-16 Keps Nut	2
5	7427-32	Recovery Tank Mount	1	F016		1/2-13 Self-Locking Nut	1
6	7420-24	Heat Shield	1	F025		10-24 x 3/8 PPHMS	1
7	7420-27	Mount Bracket	1	F031		1/4-20 x 5/8 Hex Bolt	2
Kit 7420-3 Spread Axle Kit/Less Wheels Includes Items # 8-21, fasteners & instructions. May be ordered as a dealer-installed option. Contact your Walker dealer.				F038		3/8-16 x 1 Hex Bolt	2
8	7420-6	Washer (2-1/2)	1	F039		3/8-16 x 1-1/4 Hex Bolt	2
9	7420-5	Mount, Spread Axle	1	F091		5/16-18 x 5/8 Hex Bolt	1
10	8769-8	Dust Cap/Yellow Zinc	2	F093		5/16-18 x 1 Hex Bolt	1
11	8769-6	Bearing Cone (1" ID)	4	F140		7/16-14 x 1 Hex Bolt	4
12	8769-5	Bearing Cup	4	F205		5/16-18 x 1/4 Set Screw	2
13	7420-4	Fork Mount Tube (Includes Items # 12 & 20)	1	F218		7/16 Split Lock Washer	4
14	8769-7	Seal	2	F278		3/8 Split Lock Washer	2
15	7420-2	Tail Fork, Spread Axle	2	F344		3/4-16 Slotted Hex Nut	2
16	8039	Nut, Tail Wheel Axle	2	F347		3/4 SAE Washer	2
17	8038-1	Spacer, Tail Wheel Axle	2	F348		1/8 x 1-1/2 Cotter Pin	2
18	7038	Tail Wheel Axle (3/4 x 5-9/16)	2	F377		1/2-13 x 5 Hex Bolt	1
19	5683	Pivot Bearing	2	NOTE: If equipped, existing dual tail wheels and tires can be reused with this kit. Order Kit # 7420-20 for two wheels and tires if tractor is equipped with a single wide tail wheel.			
20	5830	Grease Fitting	3				
21	7420-7	Pivot Shaft (1 x 5-1/4)	1				
				NOTE: Coolant Tank Relocation Kit 7240-8 is required with the Spread Tail Wheel Axle Kit.			

SPREAD TAIL WHEEL AXLE KIT



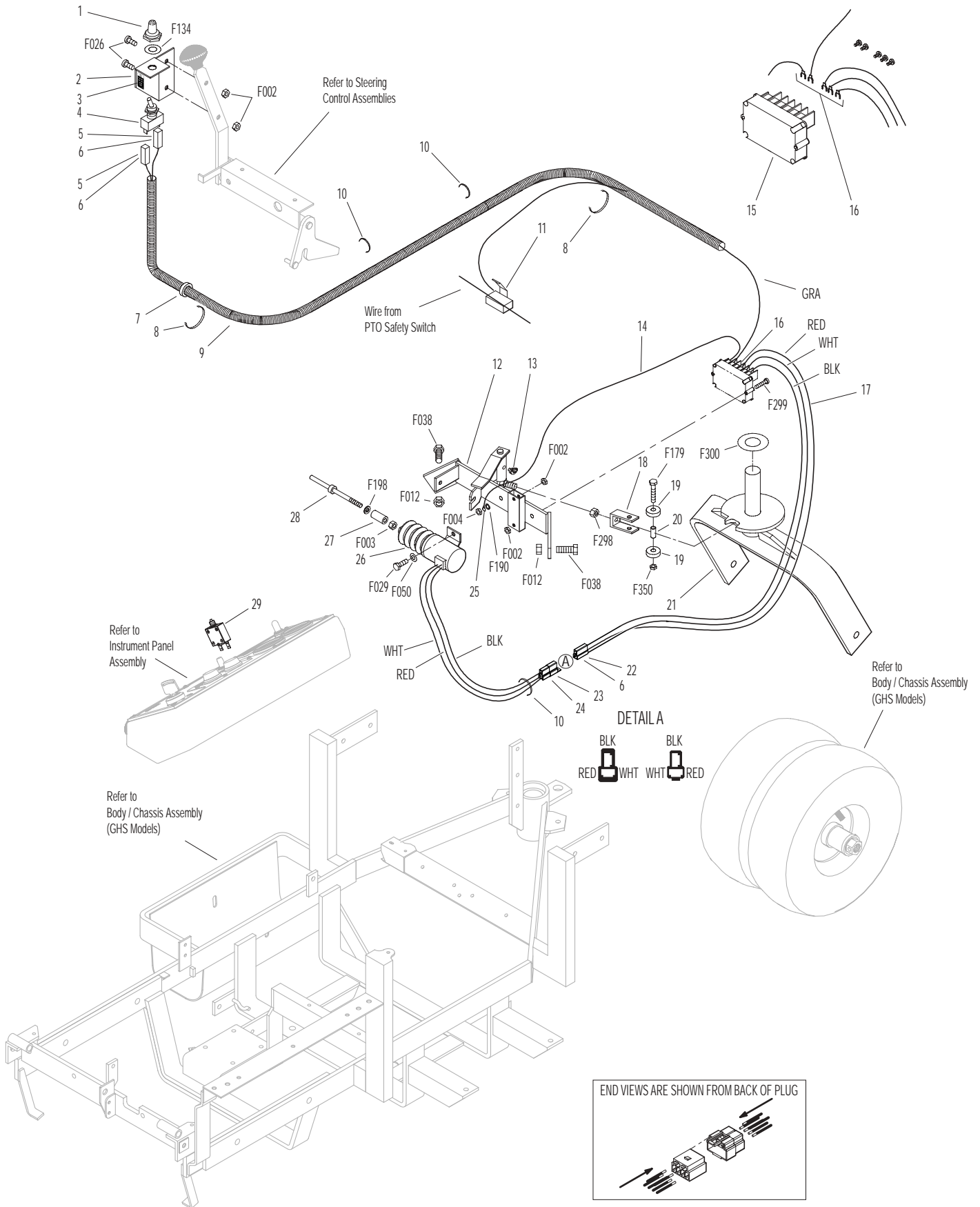
Effective Date 05-01-04

Use only genuine Walker® replacement parts.

TAIL WHEEL LOCK KIT

ITEM NO.	PART NO.	DESCRIPTION	NO. REQ'D	ITEM NO.	PART NO.	DESCRIPTION	NO. REQ'D
Kit 8540 Tail Wheel Lock Option / Kit Includes Items # 1-29, fasteners listed & instructions. May be ordered as a dealer-installed option. Contact your Walker dealer.				Fasteners			
1	5995-2	Switch Boot	1	F002		10-24 Keps Nut	4
2	8547	Switch Mount	1	F003		1/4-28 Hex Nut	1
3	8555	Decal, Tail Lock Switch	1	F004		1/4-20 Keps Nut	2
4	5995	Toggle Switch (Off-On)	1	F012		3/8-16 Keps Nut	2
5	7942-4	Single Connector, Male	2*	F026		10-24 x 1/2 PPHMS	2
6	5940-4	16-14 GA Spg. Loaded Term., Female	5*	F029		1/4-20 x 1/2 Hex Bolt	2
7	5977-1	Grommet (1/8 x 3/8)	1	F038		3/8-16 x 1 Hex Bolt	2
8	5975-3	Cable Tie (50# x 7")	4	F050		1/4 SAE Washer	2
9	8550	Wire Harness	1	F134		AN960816L Washer	1
10	5975-1	Cable Tie (18# x 3-3/4")	3	F179		1/4-20 x 1 Hex Bolt	2
11	8553	Splice Tap (18-14 GA)	1	F190		#10 Internal Star Lock Washer	1
12	8543	Solenoid Mount	1	F198		.250 x .625 x .040 Washer, SS	1
13	5830-3	Grease Fitting (45 Degree)	1	F298		3/8-24 Jam Nut	1
14	8551	Ground Wire	1	F299		10-24 x 1 PPHMS	2
15	8546	Solenoid, Control Module	1	F300		1.015 x 1.500 x .031 Washer	1
16	5996	1/4 x 16-14 GA QKS Term., Female	5*	F350		1/4-20 LP Nylock	1
17	8552	Connector Plug & Wire Assy	1	* Service Part Only			
18	8544	Clevis (9/16)	1	** Replaces P/N 7941-2 (Circuit Breaker, 10 Amp). Refer to INSTRUMENT PANEL ASSEMBLY , Page 36.			
19	5551-1	Pivot Bearing	2*	NOTE: Refer to ELECTRICAL CONNECTORS , Page 42 for identification of all Electrical Wiring Service Parts.			
	8545-1	Pivot Bearing Assembly (Includes Items # 19, 20, F179 & F350)	*	NOTE: Upon installation of kit, Item # 4 replaces P/N 5989-4 (Dome Plug, 3/8). Dome Plugs are not shown here. Refer to BODY / CHASSIS ASSEMBLY (GHS MODELS) , Page 4.			
20	8544-1	Bearing Spacer (1/4 ID x 9/16)	1*				
21	8542	Tail Wheel Fork, Locking	1				
22	8944	3-Way Locking Connector, Male	1*				
23	8944-1	3-Way Locking Connector, Female	1*				
24	5940-5	16-14 GA Spg. Loaded Term., Male	1*				
25	5996-13	16-14 GA Ring Term., #10	1*				
26	7929	Actuating Solenoid	1				
27	8549	Sleeve, Delrin	1				
28	8541	Plunger Rod	1				
	8554	Solenoid & Mount Assembly (Includes Items # 12-15, 17-20, 26-28, F002, F003, F004, F029, F050, F179, F190, F198, F298, F299 & F350)	*				
29	7941-4	Circuit Breaker	**				

TAIL WHEEL LOCK KIT



Effective Date 05-01-04

Use only genuine Walker® replacement parts.

WIDE TAIL WHEEL / ALL-TERRAIN TIRE KIT & TIRE CHAIN SET

ITEM NO.	PART NO.	DESCRIPTION	NO. REQ'D
----------	----------	-------------	-----------

Kit 8049 Wide Tail Wheel Option / Kit
Includes Items # 1, 3 and instructions. May be ordered as a dealer-installed option. Contact your Walker dealer.

1	8037-1	Seal, Tail Wheel Axle	2
2	8048	Wide Tail Wheel Axle	1
3	8045	Wide Tail Wheel & Tire (13 x 8.00-6)	1
	8045-1	Wide Tire (13 x 8.00-6)	*
	8047	Wheel & Hub (6 x 7)	*

Kit 8072 All-Terrain Tire Option / Kit
Includes Items # 4, 6 and instructions. May be ordered as a dealer-installed option. Contact your Walker dealer.

4	8071	All-Terrain Wheel & Tire, LH (18 x 11.00-10)	1
5	8070-31	Wheel Spacer Plate (1/2)	2
6	8070	All-Terrain Wheel & Tire, RH (18 x 11.00-10)	1
	8070-1	AT Tire (18 x 11.00-10)	*
	8070-2	AT/LP Wheel (10 x 8.5)	*
	8075-2	AT/LP Tire Tube (18 x 11-10)	*

ITEM NO.	PART NO.	DESCRIPTION	NO. REQ'D
----------	----------	-------------	-----------

LP8075 Low Profile Tire Option
Includes Item # 7 and instructions. May be ordered as a factory-installed option, or as a kit for dealer installation. Contact your Walker dealer.

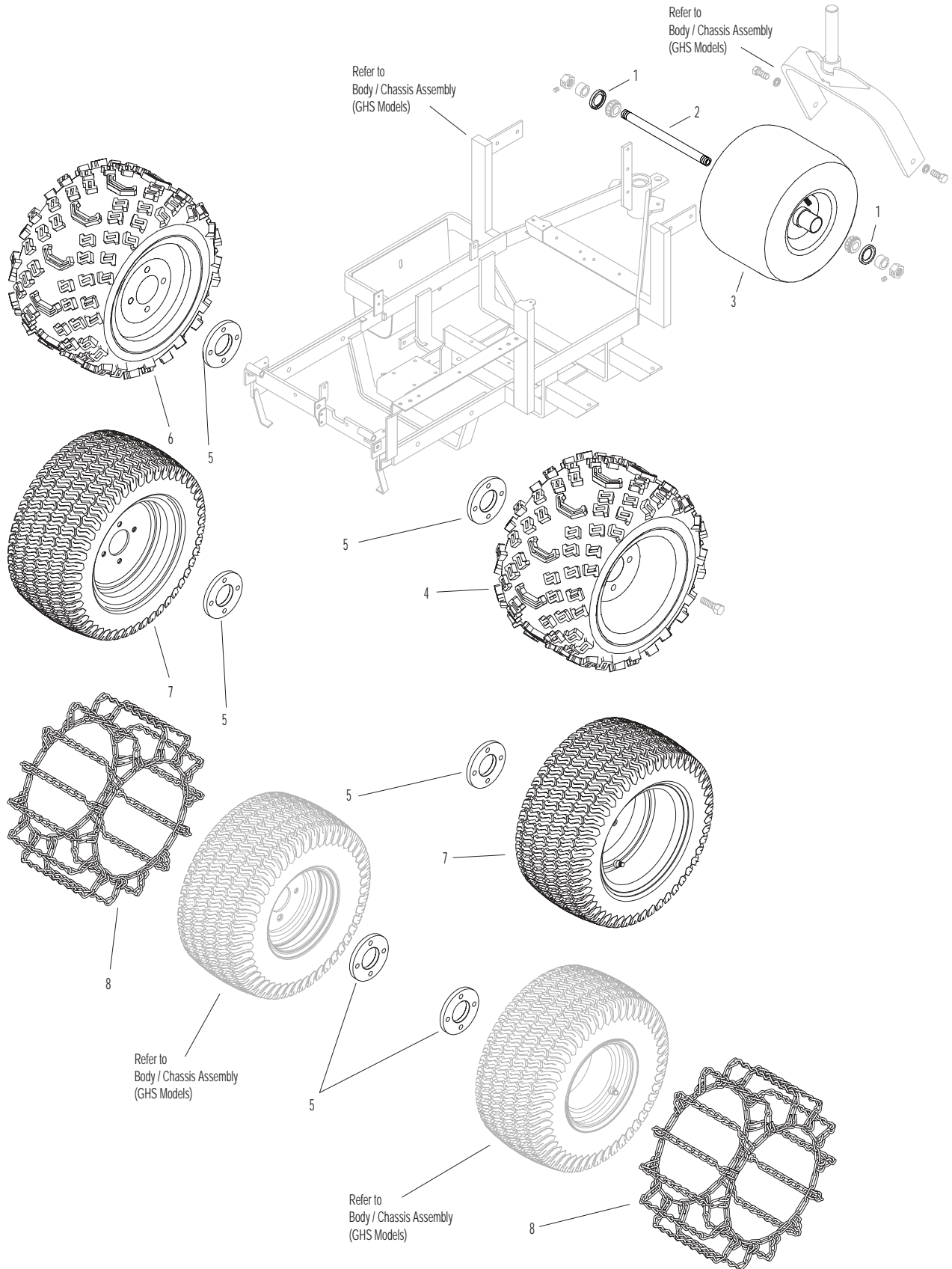
7	8075	Low Profile Wheel & Tire (18 x 10.5-10)	2
	8075-1	LP Tire (18 x 10.5-10)	*
	8070-2	AT/LP Wheel (10 x 8.5)	*
	8075-2	AT/LP Tire Tube (18 x 11-10)	*

Optional Tire Chain Set

8	5675-3	Tire Chain Set (18 x 9.50-8)	1
---	--------	------------------------------	---

* Service Part Only

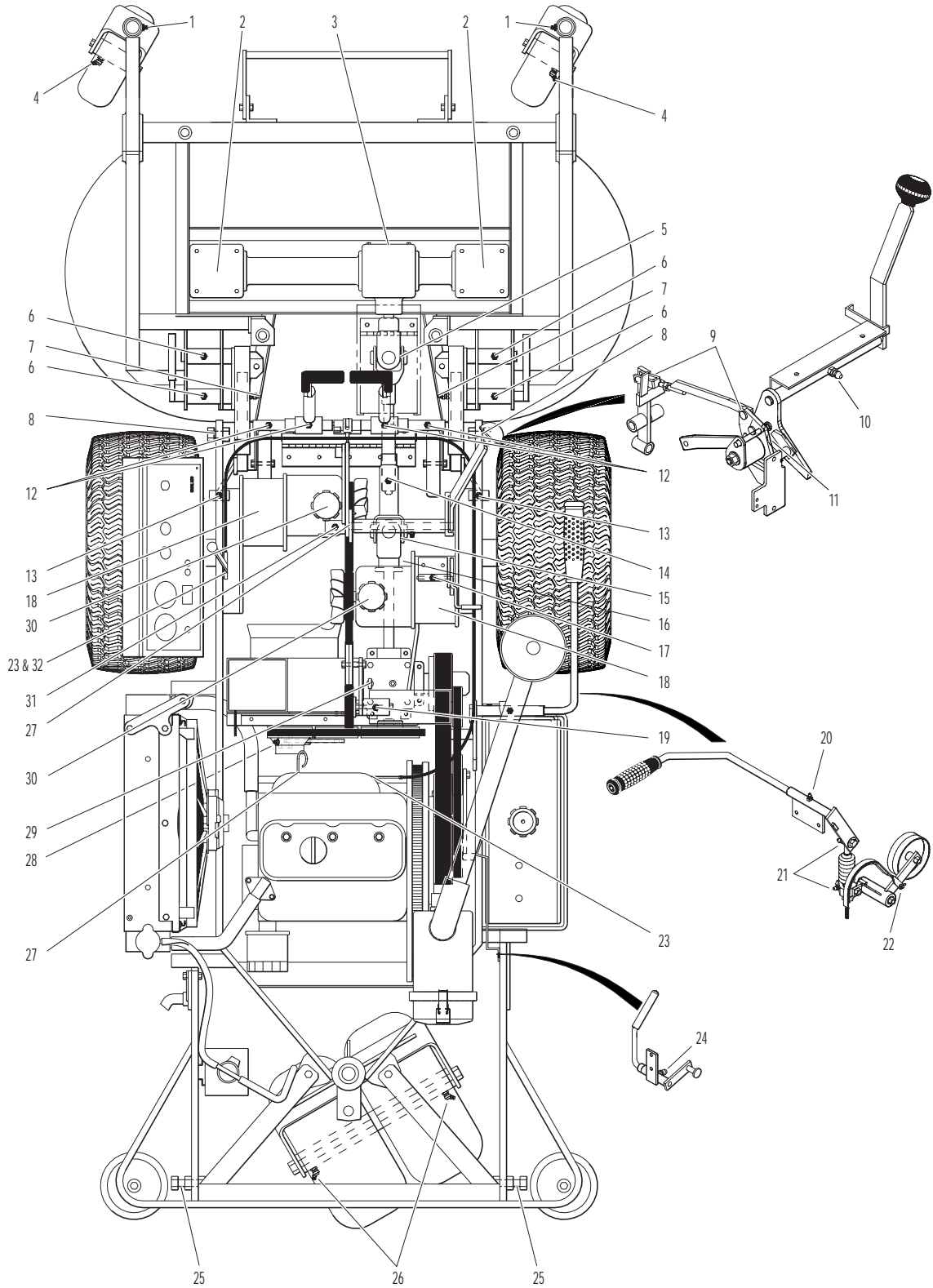
WIDE TAIL WHEEL / ALL-TERRAIN TIRE KIT & TIRE CHAIN SET



LUBRICATION POINTS

ITEM NO.	LOCATION	LUBRICATION TYPE	NO. PLACES	ITEM NO.	LOCATION	LUBRICATION TYPE	NO. PLACES
Lubrication Points				23	Throttle Control Cable Ends	Oil	2
1	Deck Caster Wheel Fork Pivot	Grease	2	24	Cold Start Lever	Grease	1
2	Blade Drive Gearbox	Oil*	2	25	Catcher Hinge Point	Oil	2
3	Tee Gearbox, Deck	Oil*	1	26	Rear Wheel Bearings	Grease	2
4	Deck Caster Wheel Bearing	Grease	2	27	Engine Dipstick / Oil Filler	Oil***	1
5	Universal Joint Shaft Assembly	Grease**	1	28	Belt Tightener Pivot, Blower Drive (GHS Model Only)	Grease	1
6	Pivot Assembly, Tilt-Up Deck	Grease	4	29	PTO Gearbox Dipstick	Oil***	1
7	Deck Support Arm Socket	Grease	2	30	Hydrostatic Drive	Oil***	2
8	Body Hinge Point	Oil	2	31	(FSC) Friction Body Pivot	Grease	1
9	FSC Actuator Rod Pivot Pins	Oil	2	32	Throttle Control Pivot	Oil	1
10	FSC Lever Pivot	Grease	1				
11	FSC Lever Fork (Grease Slide Area)	Grease	1	*	Gearboxes are permanently lubricated and sealed requiring no scheduled lubrication. Oil level should be checked only when an oil leak is noted.		
12	Steering Lever Pivot	Grease	4	**	Grease every eight (8) hours.		
13	Deck Support Arm Pivot	Grease	2	***	See Owner's Manual for procedure for checking and changing oil in Engine Crankcase, Hydrostatic Transmissions and Gear Axles.		
14	Deck-to-PTO Coupling (Grease Slide Area)	Grease	1	NOTE:	See Model MDD Owner's Manual (P/N 7000-6) for proper lubrication intervals.		
15	Universal Joint Tube Assembly	Grease**	1	NOTE:	DGHS42 Tilt-Up Mower Deck is shown for reference. For other Mower Deck Lubrication Points, Refer to Carrier Frames and Mower Decks Illustrated Parts Manual.		
16	Universal Joint Quick Connect Spline (Grease Slide Area)	Grease	1				
17	Parking Brake Lever	Grease	1				
18	Gear Axle	Oil***	2				
19	Belt Tightener Pivot, Ground Drive	Grease	1				
20	PTO Clutch Lever Pivot	Grease	1				
21	Clutch Actuator Push Rod	Grease	2				
22	Brake Actuator Rod and Brake Band Pivot Pins (Clevis)	Oil	3				

LUBRICATION POINTS



WIRING SCHEMATIC

WALKER MODEL MDD Beginning S/N 2004-66313

IGNITION SWITCH CIRCUITS	
OFF	ALL OPEN
GLOW PLUG	30 + 19 + AC
START	30 + 17 + 50 + AC
RUN	30 + AC

30 = BATTERY
17 = START / REVERSING MODULE
19 = GLOW PLUGS
50 = START
AC = FUEL PUMP, FUEL SOLENOID
GAUGES, AND FAN

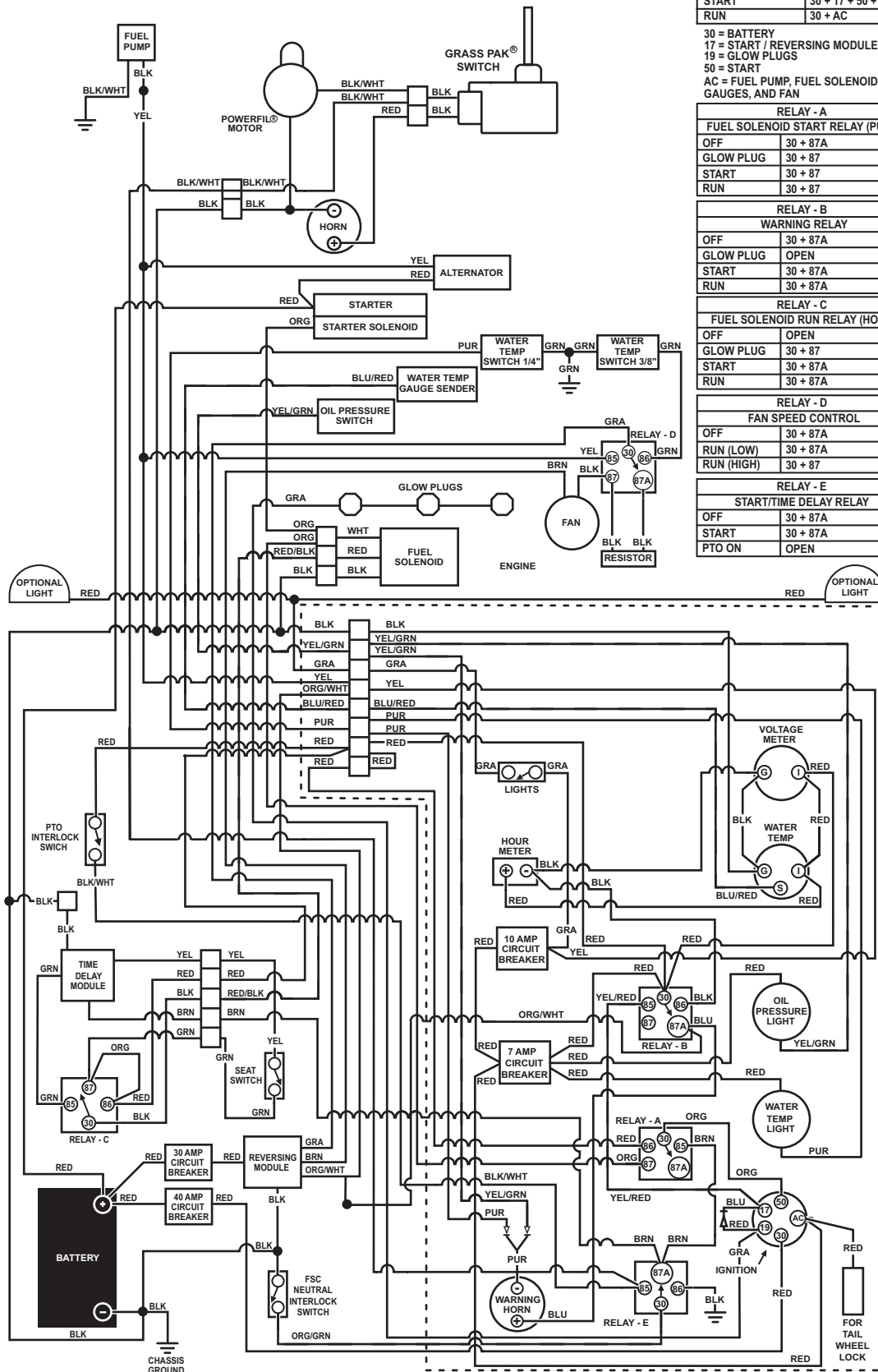
RELAY - A FUEL SOLENOID START RELAY (PULL)	
OFF	30 + 87A
GLOW PLUG	30 + 87
START	30 + 87
RUN	30 + 87

RELAY - B WARNING RELAY	
OFF	30 + 87A
GLOW PLUG	OPEN
START	30 + 87A
RUN	30 + 87A

RELAY - C FUEL SOLENOID RUN RELAY (HOLD)	
OFF	OPEN
GLOW PLUG	30 + 87
START	30 + 87A
RUN	30 + 87A

RELAY - D FAN SPEED CONTROL	
OFF	30 + 87A
RUN (LOW)	30 + 87A
RUN (HIGH)	30 + 87

RELAY - E START/TIME DELAY RELAY	
OFF	30 + 87A
START	30 + 87A
PTO ON	OPEN



Use only genuine Walker® replacement parts.

Effective Date 05-01-04

LIMITED WARRANTY FOR WALKER COMMERCIAL RIDER MOWER

1. WHAT THIS WARRANTY COVERS, AND FOR HOW LONG:

Walker Manufacturing company will, at its option, repair or replace, without charge, any part covered by this warranty which is found to be defective in material and/or workmanship within one (1) year* after date of sale to the original retail purchaser unless the product is used for rental purposes, in which case this warranty is limited to ninety (90) days. At Walker's request, customer will make the defective part available for inspection by Walker and/or return the defective part to Walker, transportation charges prepaid. All parts and components of the Walker Mower are covered by this warranty **except** the following components which are warranted separately by their respective manufacturers:

Kohler Engine
Kubota Engine
Kawasaki Engine
Eaton Hydraulic Transmission
Peerless Gearboxes
Battery
Tires

The available warranties covering these items are furnished with each mower. Walker does not assume any warranty obligation, liability or modification for these items, which are covered exclusively by the stated warranty of the respective manufacturers noted above.

* An extended three (3) year warranty is offered on the Walker P/N 6200-9 Gear Axle Assembly.

2. WHAT THIS WARRANTY DOES NOT COVER:

- A. This warranty does not cover defects caused by depreciation or damage caused by normal wear, accidents, improper maintenance, improper use or abuse of the product, alterations, or failure to follow the instructions contained in the Owner's Manual for operation and maintenance.
- B. The customer shall pay any charges for making service calls and/or for transporting the mower to and from the place where the inspection and/or warranty work is performed.

3. HOW TO OBTAIN SERVICE UNDER THIS WARRANTY:

Warranty service can be arranged by contacting the dealer where you purchased the mower or by contacting Walker Manufacturing Company, 5925 East Harmony Road, Ft. Collins, CO 80528. Proof of the date of purchase may be required to verify warranty coverage.

4. WARRANTY LIMITATION:

- A. **THERE IS NO OTHER EXPRESS WARRANTY. ANY WARRANTY THAT MAY BE IMPLIED FROM THIS PURCHASE INCLUDING MERCHANTABILITY AND FITNESS FOR A PARTICULAR PURPOSE IS HEREBY LIMITED TO THE DURATION OF THIS WARRANTY AND TO THE EXTENT PERMITTED BY LAW ANY AND ALL IMPLIED WARRANTIES ARE EXCLUDED.** Some states do not allow limitations on how long an implied warranty lasts, so the above limitations may not apply to you.
- B. **WALKER WILL NOT BE LIABLE FOR ANY INCIDENTAL, CONSEQUENTIAL, OR SPECIAL DAMAGES AND/OR EXPENSES IN CONNECTION WITH THE PURCHASE OR USE OF THE MOWER.** Some states do not allow the exclusion or limitation of incidental or consequential damages, so the above limitation(s) or exclusion(s) may not apply to you.
- C. Only the warranty expressed in this limited warranty shall apply and no dealer, distributor, or individual is authorized to amend, modify, or extend this warranty in any way. Accordingly, additional statements such as dealer advertising or presentations, whether oral or written, do not constitute warranties by Walker, and should not be relied upon.
- D. This warranty gives you specific legal rights, and you may also have other rights which vary from state to state.

WALKER MOWERS™

WALKER MFG. CO. • 5925 E. HARMONY ROAD, FORT COLLINS, CO 80528 • (970) 221-5614
FORM NO. 050104 PRINTED IN USA ©2004 WALKER MFG. CO
www.walkermowers.com