



walkermowers.com

S14



- 14-HP, Subaru Robin engine, air cooled
- Oversized Donaldson engine air filter for increased engine life
- 7 bushel (8.7 cu. ft.) catcher
- 12.75" (32.4 cm) grass handling blower
- 1.9 gallon (7.2 liter) fuel tank
- Tilt-open style body completely exposes drive-train
- 7 MPH (11.3 KPH) Ground Speed

Non-Collection



- The S14 Non-Collection offers high-performance mowing without collection, offering a superior light-on-the turf option.
- Balanced for superior handling on slopes
 - Weight with 42" deck is only 681 lbs.

out front Advantage



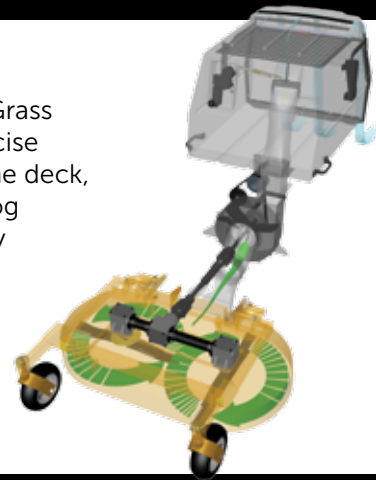
Beautiful Cut

A well-manicured lawn is a beautiful thing, and Walker's well balanced mowers, combined with Walker's floating decks, have a gentle footprint that insures a clean, beautiful cut every time.

With true deck suspension, Walker decks float and flex over the turf, easily following ground contours. The result is less scalping and a clean, manicured finish. Because the weight of the deck is transferred to the drive wheels, there is less surface pressure on the deck caster wheels, which means reduced impact on the turf - and a beautifully striped lawn.

Grass Handling

The exclusive Walker GHS (Grass Handling System) offers precise trimming on both sides of the deck, powerful vacuum action, clog resistance, and high capacity design without the bulk of typical grass catchers found on other mowers.



Best Seat in the House

With a full view of the area to be mowed and an operator position at the center of the machine—you have the "Best Seat In The House."

- Full view of working area
- Low center of gravity maximizes tractor/operator balance and provides excellent hillside performance
- Low seat height and unique steering lever design makes it easy to get on and off the machine



Versatile

Walker's out front design lends itself nicely to the use of a variety of attachments, keeping the tractor busy all year long. The Walker is on the job, getting work done through summer, fall, winter and spring. Walker Mowers can be adapted in just minutes to multiple grounds maintenance uses with front mounted attachments and implements.

The out front design also makes it easy to switch between Walker's different decks, which vary in size and configuration.



The MS is the original design of the Walker; built to be compact and maneuverable. It uses a smaller engine and simplified drive train and shares most of the features of the high-performance models. The nimble S14 uses Hydro-Gear® ZT3100 transaxles and a 12.5" grass handling blower that efficiently packs cut material into the 7-bushel catcher. The S14 is a great machine for commercial operators primarily mowing tightly landscaped residential properties, and homeowners that want to save time and achieve the best cut possible.



Accessible

It's unavoidable that commercial lawn mowing equipment needs routine maintenance like blade sharpening, engine oil changes, and belt changes.

The Walker Mower was designed and built to be easily maintained, and provides quick, easy access to serviceable parts.

A tilt-open body quickly exposes the engine and drivetrain, while the tilt-up mower deck makes blade maintenance and deck cleaning a quick and easy task.

Agile

The Walker's easy-to-use steering configuration is a distinct design characteristic that improves agility versus competitive machines.

While other mowers use lap bars and arm movements to steer, the Walker uses a forward speed control/cruise control and gentle fingertip pressure on the steering levers to precisely maneuver the machine.

Engine Specifications	S14
Manufacturer/Model	Subaru Robin, EX40
Displacement	404cc (24.65 cu. in.)
Max Power [hp @ 3600 rpm]	14
Max Torque [ft-lb]	19.9
Fuel	Gas (E10 Max)
Fuel Capacity	1.9 gallons (7.2 liter)
Cooling System	Air
Lubrication System	Mechanical Splash System
Muffler	Engine Tuned
Tractor Drive	
Transmission/Final Drive	Dual, Independent Hydro-Gear® Integrated Transaxles (ZT3100)
Steering	Hand Lever Control, Individual Drive Wheel
Forward Speed Control	Precision Friction Lock Lever, Cruise Control with Neutral Park Position
Brake	Dynamic Braking through Hydrostatic Transmissions
Parking Brake	Internal Mechanical Cog Lock for Each Transaxle (Single Lever Control)
Ground Speed	0-7 MPH Infinitely Variable
Turning Radius	Zero (0°)
Mower Deck	
Cutting Width	36" to 42" (8 Decks)
Cutting Height	1" to 4" (2.54 to 10.16 cm), 1/2" (1.27 cm) Increments
Blade	0.197" Stamped Steel, 10B38 Alloy, Tempered
Blade Drive	Splined PTO Drive Shaft to to Timed Gear Drive or Belt Drive on Deck
Blade Clutch/Brake	Manual Belt Tightener/Band Brake
Deck Suspension	Torsion-Flex Frame with Caster Wheels and Counterweight Springs
Dimensions	
Outside Dimensions*	46.75" (118.7 cm) H x 37.25" (94.6 cm) W x 89" (226.1 cm) L
Wheel Base [Tractor]	42.25" (107.3 cm)
Tractor Width [Outside Drive Tire] **	36" (91.4 cm)
Curb Weight (Approximate)	
Tractor Only	595 lbs.
Tractor and Deck*	766 lbs.
Compatibility	
Decks	DC36, DC42, DS36, DS42, DS42, DS48, DM36, DM42
Add Ons	Dethatcher, Boom Sprayer, 36" Single-Stage Snowblower, 48" Dozer Blade Attachment

*Dimensions and weight shown for standard models equipped with 36" collection deck ** With standard 7" drive tire (ST7033-6)

Service Commitment

As a Walker owner, you can expect to receive the highest quality performance from your product and matching service from the local dealer where you made your purchase. Walker Mowers are sold by independent dealerships who understand the Walker line and agree to follow Walker's Sales with Service commitment to our customers. Dealers are established by independent distributors who are backed by Walker Manufacturing Company. Walker is an independent, family-owned, manufacturer of high quality, American-made, power equipment products since 1980.



Warranty

Today, it is popular to talk about "lifetime" warranty, but what really matters is how that promise is kept. We don't use warranty as a gimmick to sell our product – rather, we use it as a promise to stand behind our workmanship. Walker aims to use warranty as it is meant to be used: helping customers get back to work quickly in the event of a manufacturer's defect or failure of workmanship.

At Walker Manufacturing, our warranty is our word.

1
YEAR

- All parts and components against defects in materials or workmanship

2
YEAR

- Hydro-Gear® transaxles

5
YEAR

- Subaru administers their own 5-year engine parts replacement

For a zero turn mower to excel at its work, its design has to be right from the start, or it will be easily lost in the wide array of commercial mowers that deliver only marginal results. Walker's design philosophy consists of discipline, ingenuity and no compromises. Through three generations of the Walker family, each Walker model has been built from the inside out to achieve a balance of durability and performance.



walkermowers.com