

commercial 1100

The **1100 Commercial Series** from Janus International Group is wind load rated and able to withstand the strong forces of nature. The door comes pre-assembled with the brackets and tensioner, which significantly reduces installation time and saves money. The 1100 Commercial Series is designed for dependability and ease of installation, making it an economical investment for light commercial use and ideally suited for coastal locations or other areas with extreme weather.



**Maximum
10' x 14'**

Available in sizes up to 10' x 14' and in more than 30 colors, customized for your application.



**Light-Duty
Application**

Ideal for light-duty locations, such as boat and RV storage and commercial/industrial buildings.



**Wind Load
Rated**

Made to handle heavy wind and extreme weather, this door is particularly well-suited for use in coastal locations or other windy conditions.



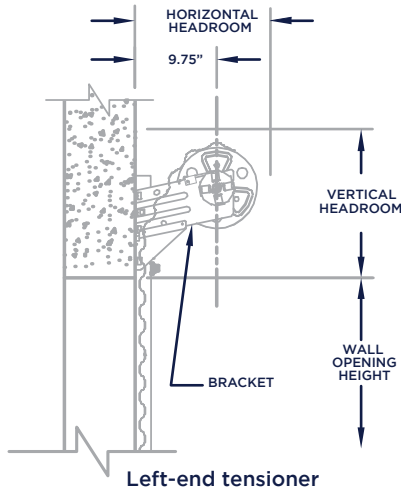
**Quality
Guaranteed**

One-year door warranty. For paint, 35-year no-fade, 40-year film integrity.



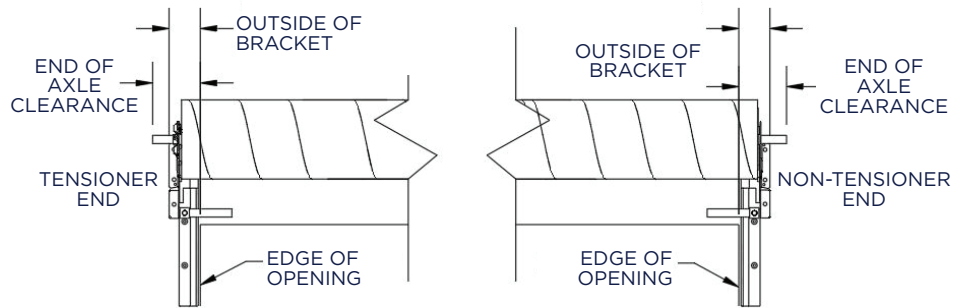
Features

- » **Pre-Lubricated Springs**
During production, springs are factory lubricated and enclosed in a tube to protect them from the environmental elements.
- » **Dead Axle & Barrel Assembly**
An enclosed spiral barrel houses the dead axle assembly and offers durability and smoother operation as weight is distributed throughout the barrel.
- » **Ratchet Tensioning Device**
Allows you to simultaneously fine tune springs due to the eight different positions on the tension wheel, which provides equal pull on the left and right sides to ensure balanced operation of the door.
- » **26-Gauge Corrugated Door Curtain**
Manufactured from galvanized grade 80 steel and coated with super durable polyester paint in more than 30 color options.
- » **Metal Windlocks**
12-gauge provides strength and security. Windlocks do not come in contact with guides.
- » **Insulated Version Available**
Side and top draft stops included.



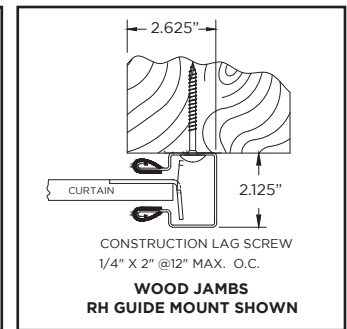
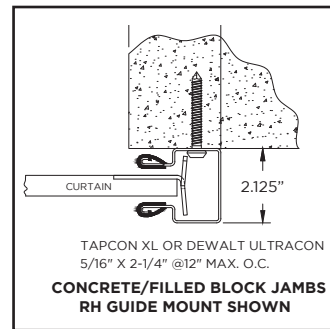
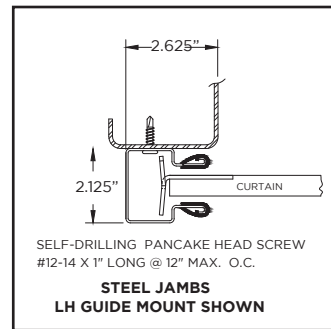
IMPORTANT NOTES:

- Dimensions are referenced from edge of opening.
- FOR CRITICAL FITS DUE TO REDUCED AVAILABLE HEADROOM or SIDEROOM CLEARANCES, CONSULT FACTORY.



Right-end reduced hand chain

Guide Details



SPECIFICATIONS

Side Room Requirements

Operation	Guide	Outside of Bracket Tensioner End	Outside of Hand Chain Drive	Outside of Bracket Drive End	Each End of Axle
Push Up	2.625"	4"	N/A	4"	4"
Reduced Drive Chain	2.625"	4"	6"	4"	4"
Electric	2.625"	4"	N/A	4"	4"

Head Room Requirements

Opening Height	Vertical Headroom	Horizontal Headroom
Thru 8'0"	18"	17.5"
Over 8'0" thru 10'0"	18.5"	17.75"
Over 10'0" thru 12'0"	18.75"	18"
Over 12'0" thru 14'0"	19"	18.5"

Wind Load Design

The **1100 Commercial Series** has been independently tested in accordance with ASTM E-330 to safely resist wind load. The **1100 Commercial Series** has also been designed in accordance with Florida and International building codes. Available in sizes up to 10' x 14' and in more than 30 colors to match your facility's branding.

HIGHLIGHTS:

- B** Barrel: 9.5"
- G** Guide: 2.25", 16-gauge
- Ⓢ** 4:1 reduced-drive chain hoist offers smoother operation on doors over 10' tall.

Visit JanusIntl.com for technical drawings, color options and more.

2024-02

HEADQUARTERS

Janus International Group
135 Janus International Blvd.
Temple, GA 30179

PLEASE VISIT OUR WEBSITE FOR ADDITIONAL INFORMATION:

- ADA Compliance
- Color Options
- Installation
- Technical Drawings
- Warranty
- Additional Locations

866-562-2580

JanusIntl.com
marketing@janusintl.com