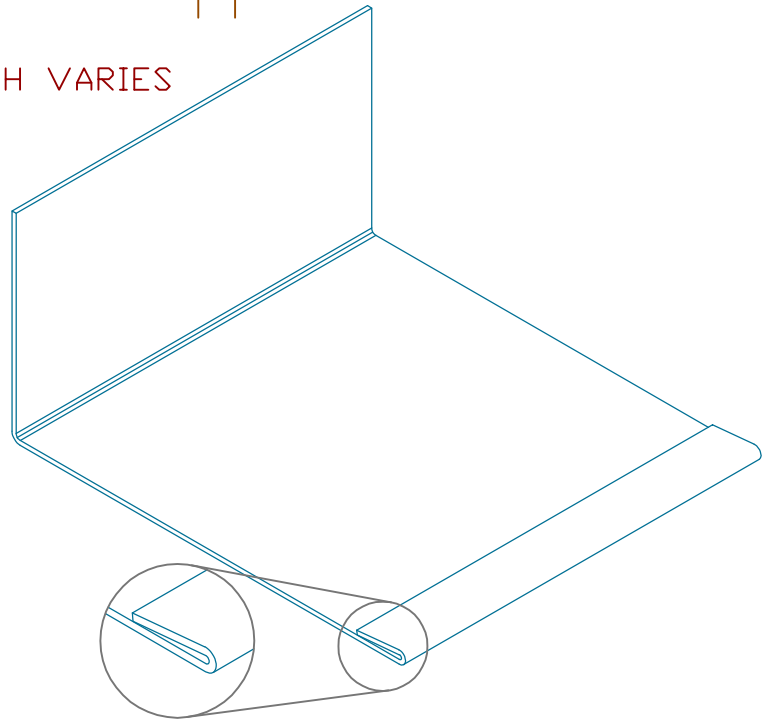


COLOR

STRIP WIDTH & LENGTH: 4-7/8" X LENGTH VARIES

ALL DIMENSIONS I.D.



NOT TO SCALE

DATE:	1-6-05	REVISED
DRAWN BY:	BECKY NELSON	
APPROVED BY:	TODD NELSON	

DRAWING:	SS-ANGLE
	20 GAUGE (.0315)
	F19180

JANUS INTERNATIONAL CORPORATION
134 EAST LUKE ROAD TEMPLE, GA 30179-4435
770-562-2850/Fax 770-562-2264
© 2005 Janus International Corporation All Rights Reserved