



**JANUS**  
INTERNATIONAL GROUP

JANUS INTERNATIONAL GROUP LLC

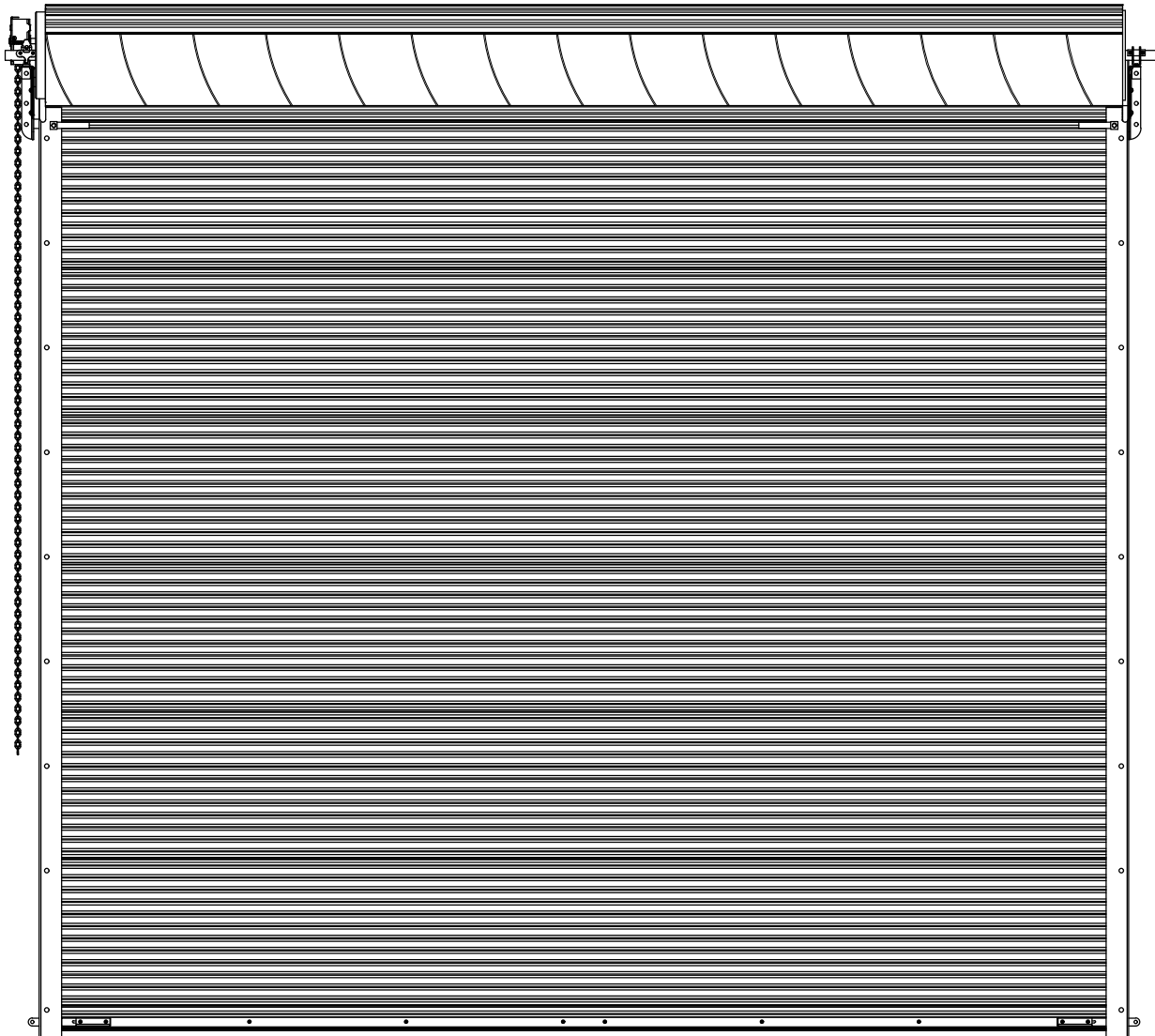
135 JANUS INTERNATIONAL BLVD.

TEMPLE, GA 30179

PHONE 770-562-2850 / FAX 770-562-1991

[www.janusintl.com](http://www.janusintl.com)

## 3100 INSTALLATION INSTRUCTIONS



[O & M Manual](#)



### IMPORTANT INFORMATION

JANUS INTERNATIONAL DOORS MUST BE INSTALLED BY TRAINED ROLLING DOOR TECHNICIANS QUALIFIED TO INSTALL PRODUCT SAFELY WITH PROPER KNOWLEDGE, TOOLS, SAFETY AND INSTALLATION EQUIPMENT. CAREFULLY READ INSTALLATION INSTRUCTIONS. FAMILIARIZE YOURSELF WITH ALL INSTALLATION PROCEDURES, WARNINGS, CAUTIONS AND NOTES BEFORE ATTEMPTING TO INSTALL DOOR. JANUS INTERNATIONAL GROUP WILL NOT WARRANTY OR ACCEPT RESPONSIBILITY FOR DOORS NOT INSTALLED PER THESE INSTALLATION INSTRUCTIONS.



## IMPORTANT INFORMATION



- CAREFULLY READ INSTALLATION INSTRUCTIONS. FAMILIARIZE YOURSELF WITH ALL INSTALLATION PROCEDURES, WARNINGS, CAUTIONS AND NOTES BEFORE ATTEMPTING TO INSTALL DOOR.
- INSPECT RECEIVED DOOR ASSEMBLY FOR VISIBLE DAMAGE AND/OR COMPONENT SHORTAGES.
  - SHIPPING DAMAGE: FILE DAMAGE CLAIM IMMEDIATELY WITH FREIGHT CARRIER. SUPPLY DOOR SUPPLIER WITH PHOTO DOCUMENTATION TO RECEIVE REPLACEMENT COMPONENTS.
  - PART SHORTAGE: IMMEDIATELY CONTACT DOOR SUPPLIER WITH PARTS SHORTAGE CLAIM. ORDER NUMBER, DOOR MODEL, PHOTO DOCUMENTATION ARE ENCOURAGED TO EXPEDITE PROCESS.
  - INCORRECT PARTS: IF RECEIVED DOOR COMPONENTS AND PARTS DO NOT MATCH THOSE REFERENCED IN THESE INSTALLATION INSTRUCTIONS, IMMEDIATELY CONTACT DOOR SUPPLIER.
- IF AT ANY TIME BEFORE OR DURING INSTALLATION YOU ARE UNFAMILIAR, UNCOMFORTABLE OR CONFUSED BY INSTALLATION PROCEDURES OUTLINED IN THESE INSTALLATION INSTRUCTIONS DO NOT ATTEMPT TO INSTALL DOOR ASSEMBLY. IMMEDIATELY CONTACT DOOR SUPPLIER WITH QUESTIONS/CONCERNS.



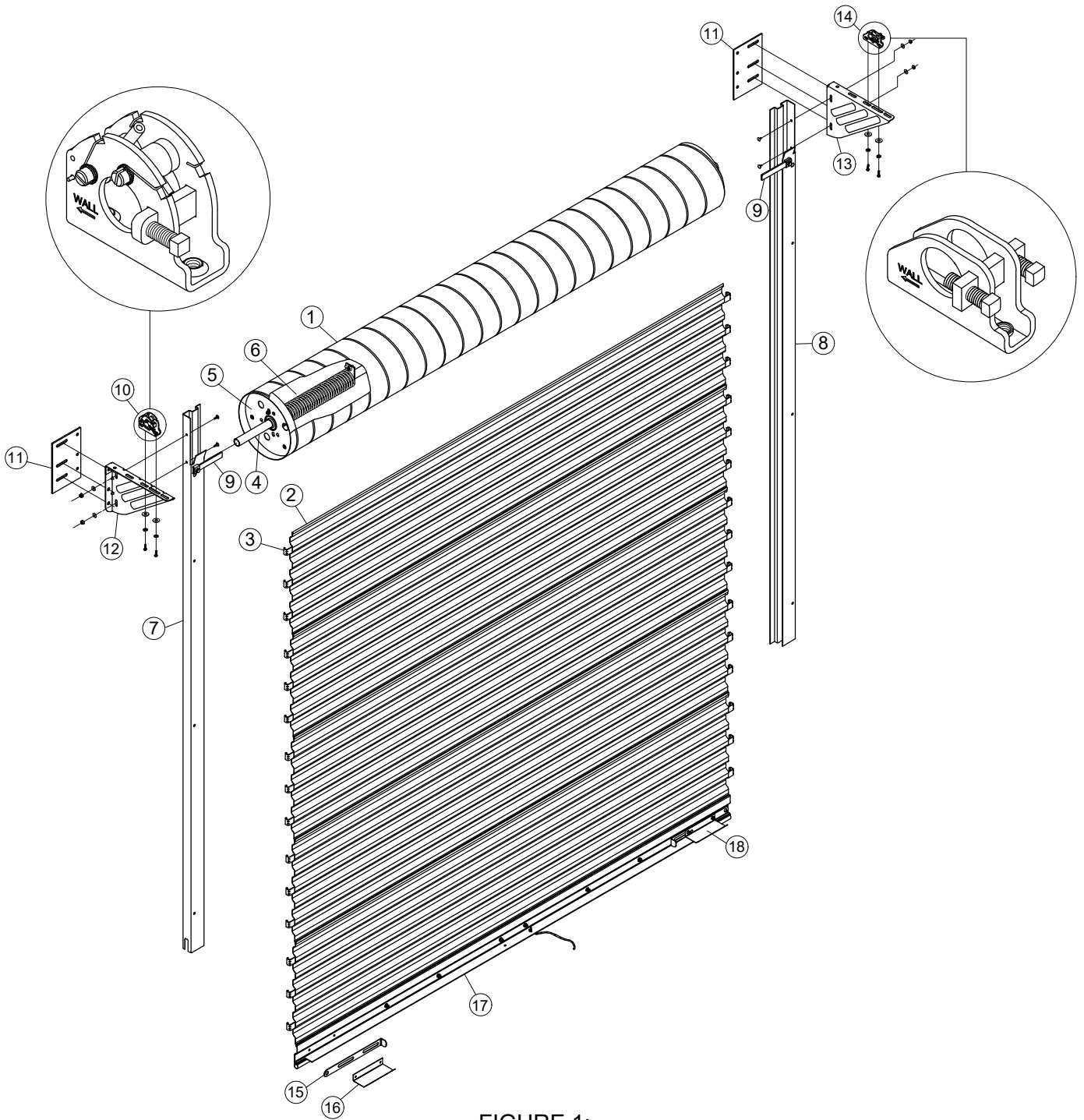
JANUS MODEL 3100 IS FOR USE WITH WINDLOCKS IN CERTIFIED WINDLOAD APPLICATIONS IN THE STATE OF FLORIDA AND OTHER COASTAL STATES WHERE REQUIRED. IT IS VERY IMPORTANT TO NOTE THE DRAWING NUMBER FROM THE COMPONENT DESCRIPTION TAG ON DOOR, GUIDES, OR HARDWARE. THIS WILL BE A T1004, T1005, T1015, T1016 OR NOT REQUIRED IDENTIFIER. THIS CORRELATES TO GUIDE MOUNTING INSTRUCTIONS ON PAGE 6 & 7, FIGURES 8, 9, 10, & 11.



## READ ALL WARNINGS BELOW



- USE APPROPRIATE SAFETY EQUIPMENT TO AVOID SERIOUS INJURY.
- CLEAR FLOOR AT OPENING OF ALL DEBRIS BEFORE INSTALLING PRODUCT.
- USE APPROPRIATE LIFTING EQUIPMENT AND CORRECT LIFTING PROCEDURES TO AVOID DAMAGE, SERIOUS INJURY OR DEATH.
- MOVING DOOR COULD RESULT IN DEATH OR SERIOUS INJURY. DO NOT CLOSE DOOR UNTIL DOORWAY IS CLEAR.
- CONTROL THE SPEED OF THE DOOR DURING MANUAL OPERATION.
- DO NOT STAND OR WALK UNDER A MOVING DOOR.
- KEEP DOORWAY CLEAR AND IN FULL VIEW WHILE OPERATING DOOR.
- DO NOT PERMIT CHILDREN TO PLAY ON, NEAR, OR WITH DOOR OR OPERATE DOOR CONTROLS.
- UNLOCK DOOR BEFORE OPENING DOOR.
- SENSING DEVICES ON MOTOR OPERATING DOORS SHOULD BE TESTED FREQUENTLY.
- VISUALLY INSPECT DOOR AND HARDWARE MONTHLY FOR WORN AND/OR BROKEN PARTS AND CHECK IF DOOR OPERATES FREELY. DO NOT OPERATE A DOOR WITH A BROKEN SPRING.
- COMPONENTS ARE UNDER EXTREME SPRING TENSION. COULD RESULT IN DEATH OR SERIOUS INJURY.
- DOOR MUST BE FULLY OPENED WHEN MAKING ADJUSTMENTS.
- VERIFY OPENING WIDTH AND HEIGHT BEFORE INSTALLING GUIDES.
- DOOR CAN FALL IF BOTH BRACKETS ARE NOT SECURELY FASTENED TO THE JAMBS. ALL FASTENERS ATTACHING BRACKETS TO JAMBS MUST FIT SECURELY INTO A STRUCTURAL MEMBER OR SURFACE. IF DOOR FALLS, SERIOUS INJURY OR DEATH AND/OR DAMAGE TO DOOR CAN RESULT.
- BEFORE LIFTING DOOR INTO POSITION, ASSURE THAT ALL SET SCREWS ARE TIGHTENED TO ADEQUATELY SECURE AXLE SUPPORTS AND TENSIONER. FAILURE TO SECURE WILL RESULT IN FALLING PARTS, WHICH WILL LEAD TO SERIOUS INJURY OR DEATH.
- DO NOT REMOVE WRAPPING FROM DOOR UNTIL INSTRUCTED TO DO SO.
- FAILURE TO ADHERE TO THE ABOVE CONDITIONS WILL RESULT IN PERSONAL INJURY OR PRODUCT DAMAGE NOT COVERED UNDER JANUS INTERNATIONAL PRODUCT WARRANTY. ALWAYS HANDLE PRODUCT WITH CARE AND REVIEW ALL INSTRUCTIONS, WARNINGS, AND NOTES BEFORE INSTALLING PRODUCT.
- REVIEW DOOR ASSEMBLY AND GENERAL PARTS DESCRIPTIONS BILL OF MATERIAL FROM PAGE 2, FIGURE 1 TO FAMILIARIZE YOURSELF WITH COMMON PARTS OF ROLLING SHEET DOOR ASSEMBLY.
- DOOR ASSEMBLIES ARE MANUFACTURED PER OPENING WIDTHS AND HEIGHTS SPECIFIED AT TIME OF ORDER. JANUS INTERNATIONAL WILL NOT BE HELD RESPONSIBLE FOR OPENING WIDTHS OR HEIGHTS THAT DO NOT MATCH THOSE SPECIFIED AT TIME OF ORDER.



**FIGURE 1:**  
**DOOR ASSEMBLY & GENERAL PART DESCRIPTIONS**

**GENERAL BILL OF MATERIAL**

ITEM	DESCRIPTION / PART NUMBER	ITEM	DESCRIPTION / PART NUMBER	ITEM	DESCRIPTION / PART NUMBER
1	12" Spiral Barrel	7	LH - Roll Formed Guide with windbar	13	RH - Comm. Bracket
2	26 Ga. Curtain	8	RH - Roll Formed Guide with windbar	14	Stamped Axle Support
3	Windlocks	9	Headstop	15	Comm. Slide Lock
4	1 5/16" O.D. Axle	10	Tensioner	16	Comm. Step Plate
5	12" Drum	11	Mounting Plate	17	Bottom Bar Assembly
6	Spring/Counterbalance Assembly	12	LH - Comm. Bracket	18	Slide Lock Assembly

FIGURE 2: SIDE ROOM CLEARANCE REQUIREMENT CHART

OPERATION	BACK OF GUIDE	OUTSIDE OF BRACKET TENSIONER END	OUTSIDE OF BRACKET DRIVE END (NON-TENSIONER)	OUTSIDE OF HAND CHAIN DRIVE	END OF AXLE CLEARANCE
PUSH-UP	4 ¼"	5 ⅞"	5 ⅞"	-	8 ¾"
CHAIN HOIST	4 ¼"	5 ⅞"	6 ⅞"	7 ¾"	8 ¾"
JACK SHAFT MOTOR	4 ¼"	5 ⅞"	7 ⅞"	-	8 ¾"
PANTHEON	4 ¼"	5 ⅞"	7 ⅞"	-	11 ¼"

**IMPORTANT NOTES**

- Dimensions are referenced from edge of opening
- Tensioner end and drive end can be installed at either end of door assembly
- FOR CRITICAL FITS DUE TO REDUCED AVAILABLE HEADROOM or SIDE ROOM CLEARANCES, CONSULT FACTORY

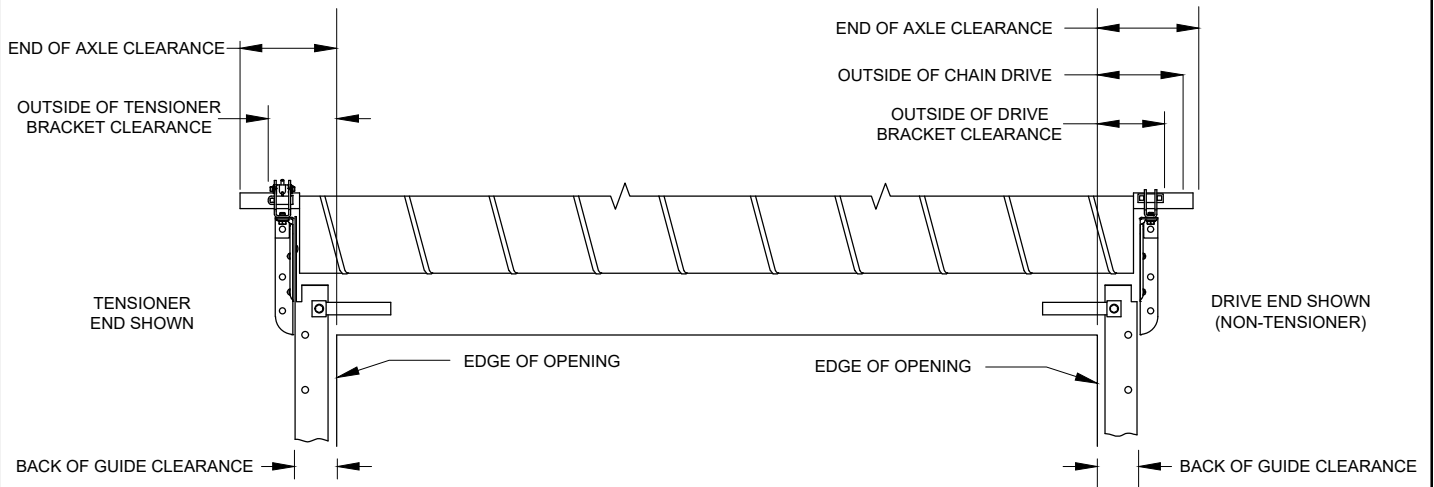
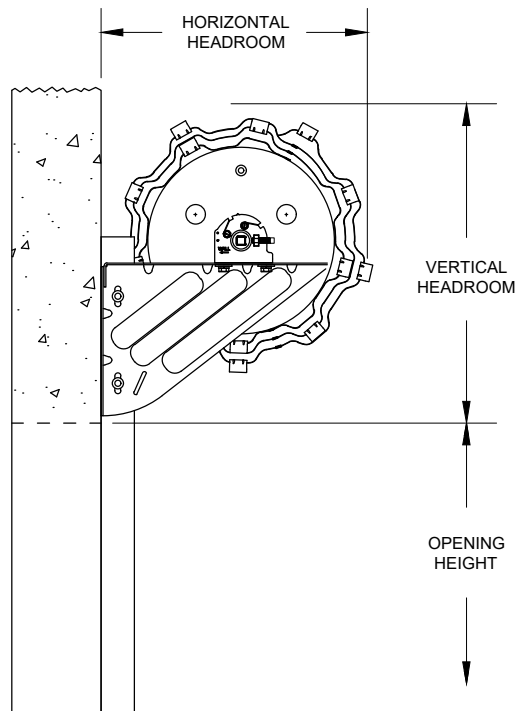


FIGURE 3: HORIZONTAL / VERTICAL HEADROOM REQUIREMENT CHART

OPENING HEIGHT	VERTICAL HEADROOM	HORIZONTAL HEADROOM
THRU 8'-0"	20"	20"
OVER 8'-0" THRU 10'-0"	21"	21"
OVER 10'-0" THRU 14'-0"	21 ½"	21"
OVER 14'-0" THRU 16'-0"	22"	21"
OVER 16'-0" THRU 18'-0"	22"	22"
OVER 18'-0" THRU 20'-0"	22"	22"



## **STEP 1: VERIFY OPENING**

☼**Note:** *DOOR ASSEMBLIES ARE MANUFACTURED PER OPENING WIDTHS AND HEIGHTS SPECIFIED AT TIME OF ORDER. JANUS INTERNATIONAL WILL NOT ASSUME RESPONSIBILITY FOR OPENING WIDTHS OR HEIGHTS THAT DO NOT MATCH THOSE SPECIFIED AT TIME OF ORDER.*

- ⇒ Verify opening width and height and confirm measurements match width and height detailed on door packaging label.
- ⇒ Verify that jambs are plumb.
- ⇒ Verify floor and header for level.
- ⇒ Verify adequate side clearance at jambs and clearance above and at sides of header. See Side Room and Headroom Clearance Requirement Chart (page 3, Figures 2 & 3).
- ⇒ Verify that the guide mounting surface on the jamb is flush.
- ⇒ Verify that all parts required for installation are with the door. See page 2, Figure 1 for General Bill of Material.

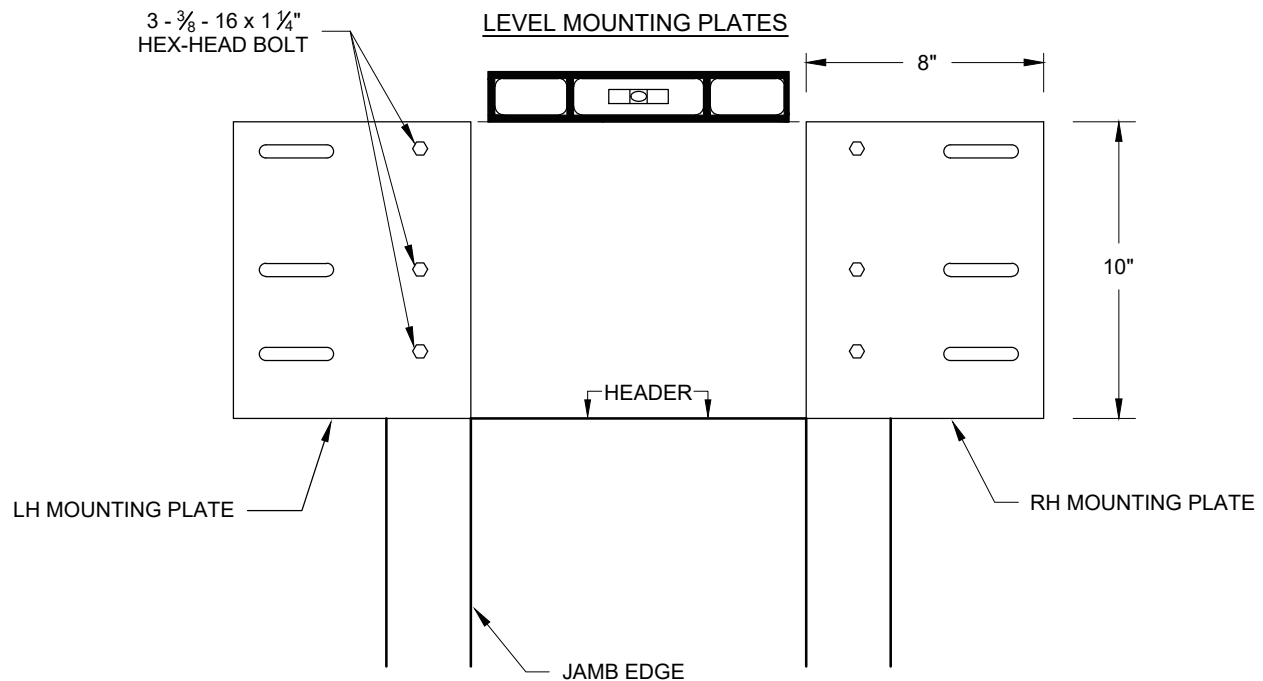
## **STEP 2: MOUNTING PLATES**

☼**Note:** *Mounting Plates are optional components for installation to steel jambs. Mounting Plates are to be installed with fasteners supplied or welded directly to steel jamb. If mounting plates were not ordered, or jamb type is other than steel, Proceed to step 3.*

- ⇒ Position Mounting Plates where bottom edge is flush with header and inside edge is flush with jamb edge. See Figure 4.
- ⇒ Install mounting plates to steel jambs with 3 each  $\frac{3}{8}$  - 16 x  $1\frac{1}{4}$ " hex-head bolts, washers, and lock nuts supplied.

☼**Note:** *Install washers on hex nut side only*

☼**Note:** *Assure Mounting Plates are level with each other*



**FIGURE 4: MOUNTING PLATE INSTALLATION**

### STEP 3: COMMERCIAL BRACKETS TO GUIDES

☼ **Note:** GUIDE BELLMOUTH FOR CURTAIN ENTRY INTO GUIDE IS FACTORY NOTCHED. APPLY 15°-20° BEND IN BELLMOUTH TO ASSURE SMOOTH CURTAIN ENTRY. FAILURE TO FLARE GUIDE BELLMOUTH WILL RESULT IN CURTAIN SCRATCHING AND/OR DAMAGE.

- ⇒ Attach Commercial Brackets to guides, locating top surface of bracket 2" below top of guide. Use 2 each  $\frac{1}{4}$  - 20 x  $\frac{5}{8}$ " carriage bolts,  $\frac{1}{4}$  - 20 serrated flange hex nuts and  $\frac{1}{4}$ " flat washers per bracket for tensioner and the non-tensioner (drive) end for push-up operation. See Figure 5.

☼ **Note:** DOOR DRIVE OPERATION MAY BE INSTALLED ON EITHER END OF DOOR ASSEMBLY

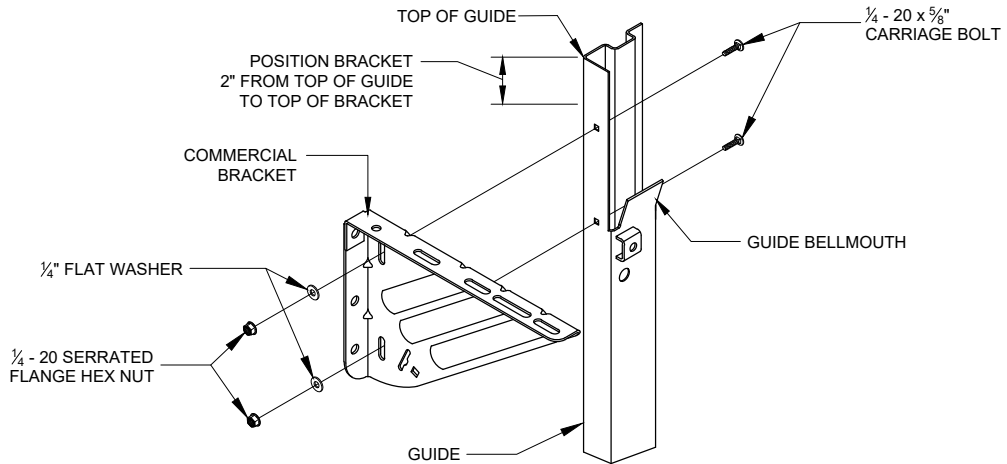


FIGURE 5: TENSIONER END (LH Shown/RH Opposite)

☼ **Note:**

**FOR MANUAL PUSH-UP OPERATION, SPACERS ARE NOT PROVIDED OR REQUIRED FOR COMMERCIAL BRACKET MOUNT.**

- ⇒ **Reduced Hand Chain Drive:** Attach Commercial Brackets to guides, locating top surface of bracket 2" below top of guide. Install drive bracket with 2 each  $\frac{1}{4}$  - 20 x  $1\frac{3}{4}$ " carriage bolts,  $\frac{1}{4}$  - 20 serrated flange hex nuts and  $\frac{1}{4}$ " flat washers. Insert 1 each  $\frac{1}{2}$ " long spacer tubes between guide and bracket at each bolt location. See Figure 6.
- ⇒ **Jack Shaft Motor Operation:** Attach Commercial Brackets to guides, locating top surface of bracket 2" below top of guide. Install drive bracket with 2 each  $\frac{1}{4}$  - 20 x  $2\frac{1}{2}$ " carriage bolts,  $\frac{1}{4}$  - 20 serrated flange hex nuts and  $\frac{1}{4}$ " flat washers. Insert 2 each  $\frac{3}{4}$ " long spacer tubes between guide and bracket at each bolt location. See Figure 6.
- ⇒ **Pantheon Motor Operation:** Install drive bracket with 1  $\frac{1}{2}$ " spacing between outside of guide and inside of bracket. No spacers are provided for this application. Locate top surface of bracket 2" below top of guide. See Figure 6. (Spacers not provided)

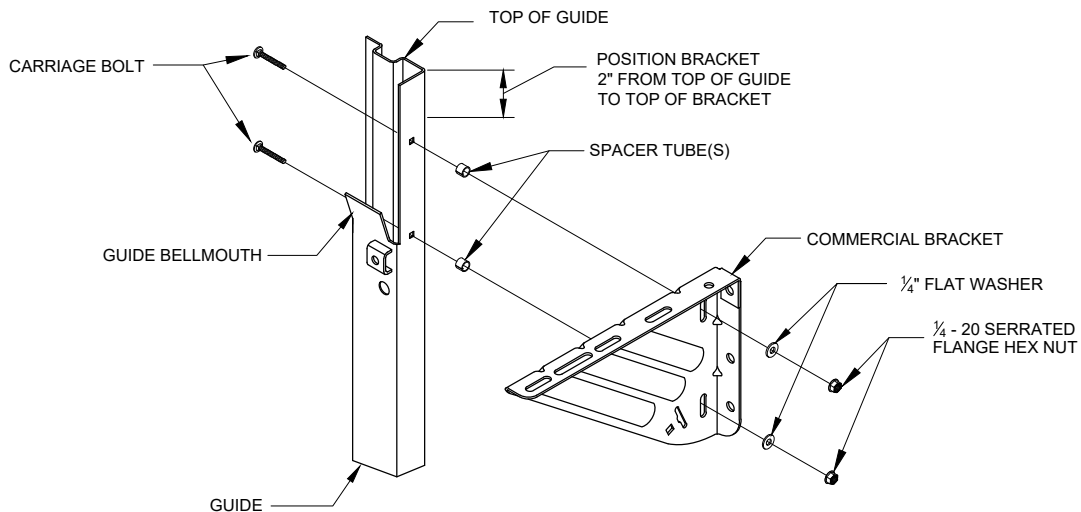


FIGURE 6: DRIVE END (RH Shown/LH Opposite)

**STEP 4: GUIDES AND BRACKETS TO JAMB**

⇒ Brackets and guides must be attached to jambs using fasteners as specified in Table 1.

**TABLE 1: GUIDE & COMMERCIAL BRACKET FASTENERS**

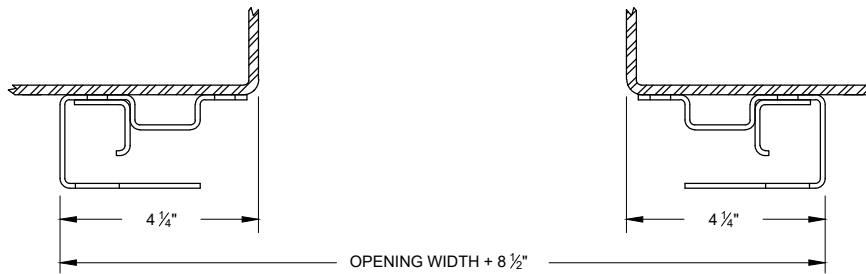
ITEM	JAMB	FASTENERS	DRILL SIZE
BRACKETS	Steel	$\frac{3}{8}$ - 16 x 1 $\frac{1}{4}$ " Hex Bolt and Nut	$\frac{7}{16}$ "
	Concrete or Filled Block	$\frac{3}{8}$ " x 1 $\frac{3}{4}$ " Powers Wedge-Bolt	Powers SDS+ 01318
GUIDES	Steel	$\frac{1}{4}$ " x 14 x 1" TEKS Screw	None
	Concrete or Filled Block	$\frac{3}{8}$ " x 4" Powers Wedge-Bolt	Powers SDS+ 01318
	Wood	$\frac{3}{8}$ " x 3" Lag Bolt	$\frac{1}{4}$ "

⚠ **VERIFY OPENING WIDTH AND HEIGHT BEFORE INSTALLING GUIDES.** ⚠

**Note:**

**DOOR ASSEMBLIES ARE MANUFACTURED PER OPENING WIDTHS AND HEIGHTS SPECIFIED AT TIME OF ORDER. JANUS INTERNATIONAL WILL NOT ASSUME RESPONSIBILITY FOR OPENING WIDTHS OR HEIGHTS THAT DO NOT MATCH THOSE SPECIFIED AT TIME OF ORDER.**

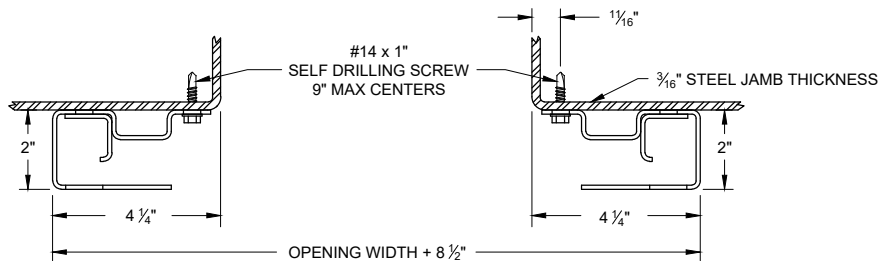
⇒ Guides to be mounted centered about the opening. Back of guide placement / measurement from jamb edge is 4  $\frac{1}{4}$ " per side. Overall back of guide to back of guide measurement to be Opening Width + 8  $\frac{1}{2}$ ". See figure 7.



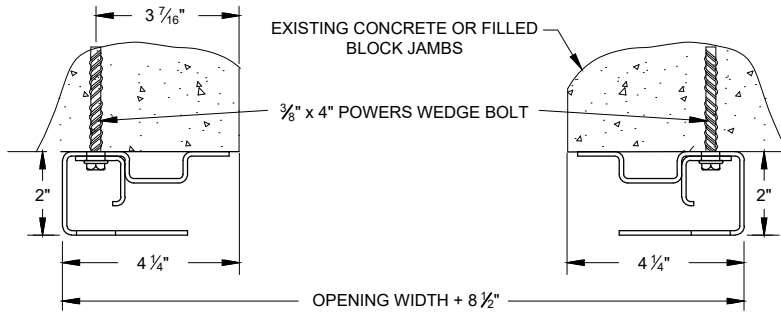
**FIGURE 7: GUIDE PLACEMENT**

► GUIDE MOUNTINGS ARE DICTATED BY APPLICATION AND JAMB TYPE. See below for appropriate mounting.

- **OPTION 1:** Steel jambs  $\frac{3}{16}$ " Min. Thickness.  $\frac{1}{4}$  - 14 x 1" self drilling / tapping screws at toe of guide. Non-Certified Windlocked door, FBC#12765 / DWG-T1004 & T1005. TDI#GDR41 / DWG-T1004 & T1005. SEE FIGURE 8.
- **OPTION 2:** Masonry jambs.  $\frac{3}{8}$ " x 4" Dewalt Screw Bolt + at inside of guide. This mounting option for all model 3100 applications to Masonry & CMU. SEE FIGURE 9.
- **OPTION 3:** Steel Jambs less than  $\frac{3}{16}$ " thickness.  $\frac{1}{4}$  - 14 x 1" self drilling / tapping screws at toe and inside of guide. All 3100 applications. SEE FIGURE 10. for conditional requirements.
- **OPTION 4:** WOOD JAMBS.  $\frac{3}{8}$  X 3" Lag Bolt. Non-Certified Windlocked door, FBC#21450/DWG-T1015 & T1016. SEE FIGURE 11.

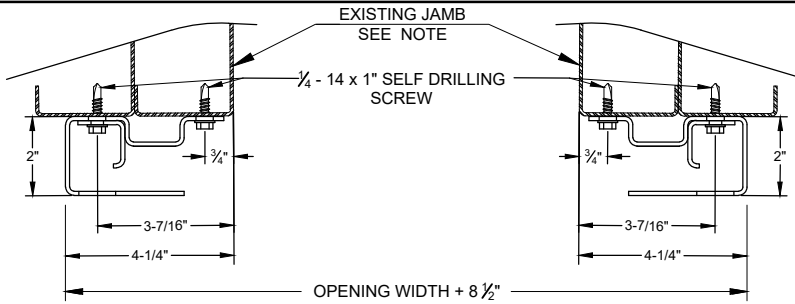


**FIGURE 8: GUIDE MOUNTING - OPTION 1**



**FIGURE 9: GUIDE MOUNTING - OPTION 2**

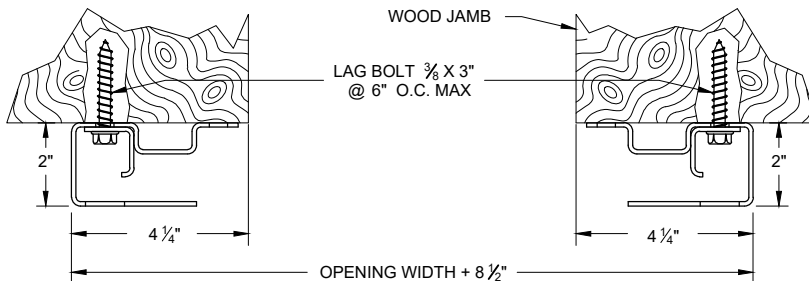
► Install guides and brackets with fasteners supplied, which should match those referenced on Page 6, Table 1.



**FIGURE 10: GUIDE MOUNTING - OPTION 3**

**OPTION 3: JAMB THICKNESS/HOLE SPACING**

T1004 = 14 Ga MINIMUM - 9" OC MAX.  
 T1005 = 14 Ga MINIMUM - 9" OC MAX.  
 T1015 = 14 Ga MINIMUM - 6" OC MAX.  
 T1016 = 12 Ga MINIMUM - 6" OC MAX.

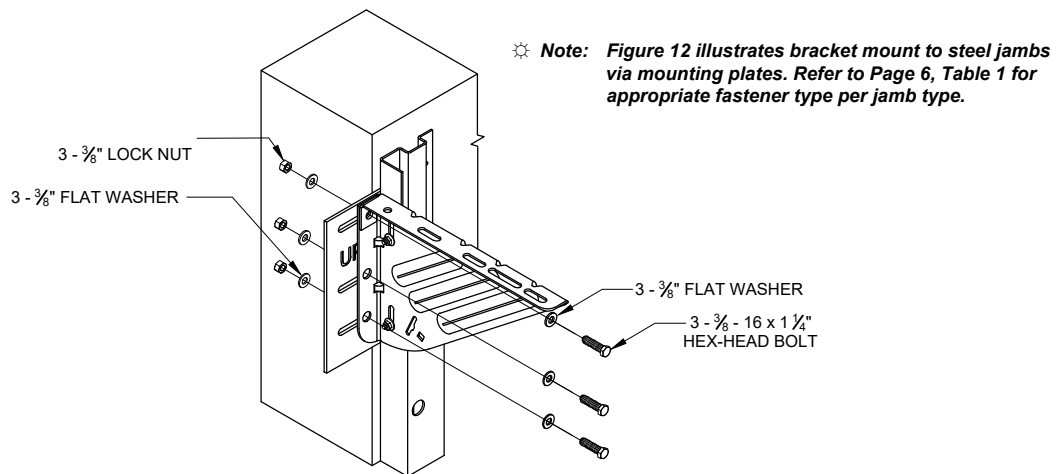


**FIGURE 11: GUIDE MOUNTING - OPTION 4**

**OPTION 4: JAMB THICKNESS/HOLE SPACING**

T1015 = 14 Ga MINIMUM - 6" OC MAX.  
 T1016 = 12 Ga MINIMUM - 6" OC MAX.

\*\*WOOD JAMBS ONLY APPROVED PER DWG. # ABOVE\*\*



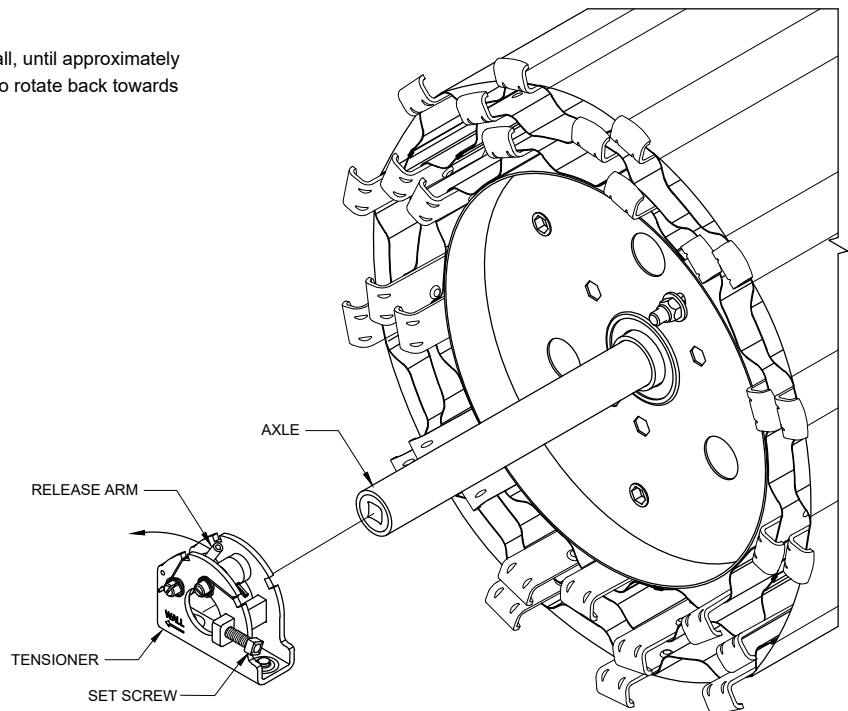
**FIGURE 12: COMMERCIAL BRACKET TO WALL (STEEL JAMB)**

**DOOR CAN FALL IF BOTH BRACKETS ARE NOT SECURELY FASTENED TO THE JAMBS. ALL FASTENERS ATTACHING BRACKETS TO JAMBS MUST FIT SECURELY INTO A STRUCTURAL MEMBER OR SURFACE. IF DOOR FALLS, SERIOUS INJURY OR DEATH AND/OR DAMAGE TO DOOR CAN RESULT.**



### **STEP 5: PUSH-UP TENSIONER END - FLOOR LEVEL INSTALLATION**

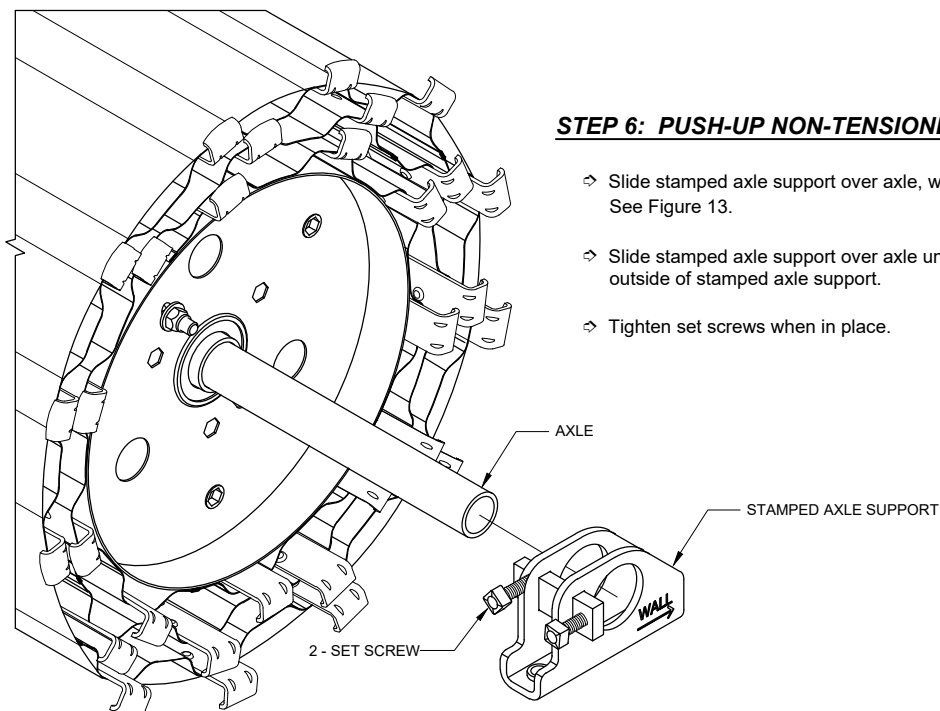
- ⇒ Rotate tensioner release arm towards wall.
- ⇒ Slide tensioner over axle, with arrow pointing toward wall, until approximately  $2\frac{7}{8}$ " of axle is outside of tensioner. Allow release arm to rotate back towards starting position. See Figure 12.
- ⇒ Tighten set screw when in place.



**FIGURE 12: TENSIONER TO AXLE**

### **STEP 6: PUSH-UP NON-TENSIONER END - FLOOR LEVEL INSTALLATION**

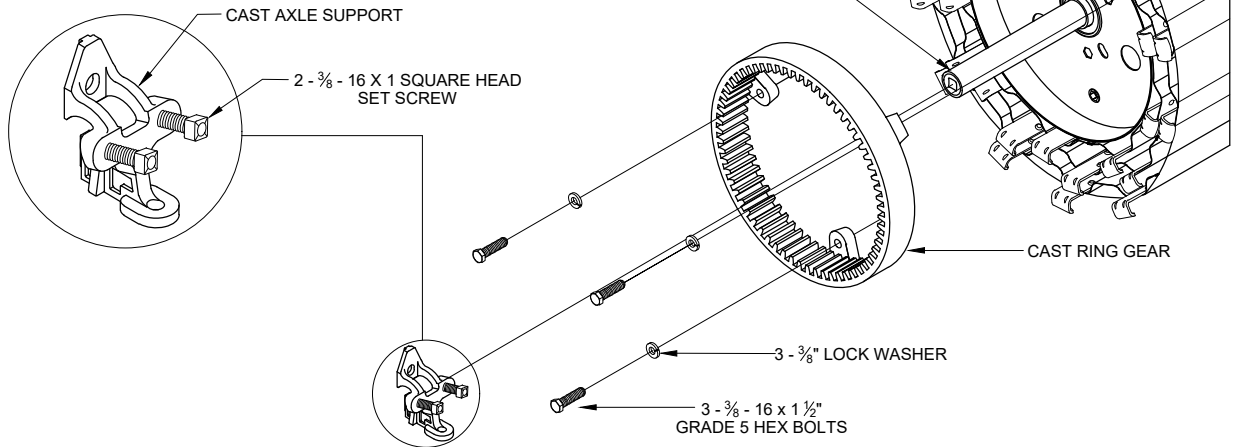
- ⇒ Slide stamped axle support over axle, with arrow pointing toward wall. See Figure 13.
- ⇒ Slide stamped axle support over axle until approximately  $2\frac{7}{8}$ " of axle is outside of stamped axle support.
- ⇒ Tighten set screws when in place.



**FIGURE 13: STAMPED AXLE SUPPORT TO AXLE**

### **STEP 7a: REDUCED HAND CHAIN DRIVE END - FLOOR LEVEL INSTALLATION**

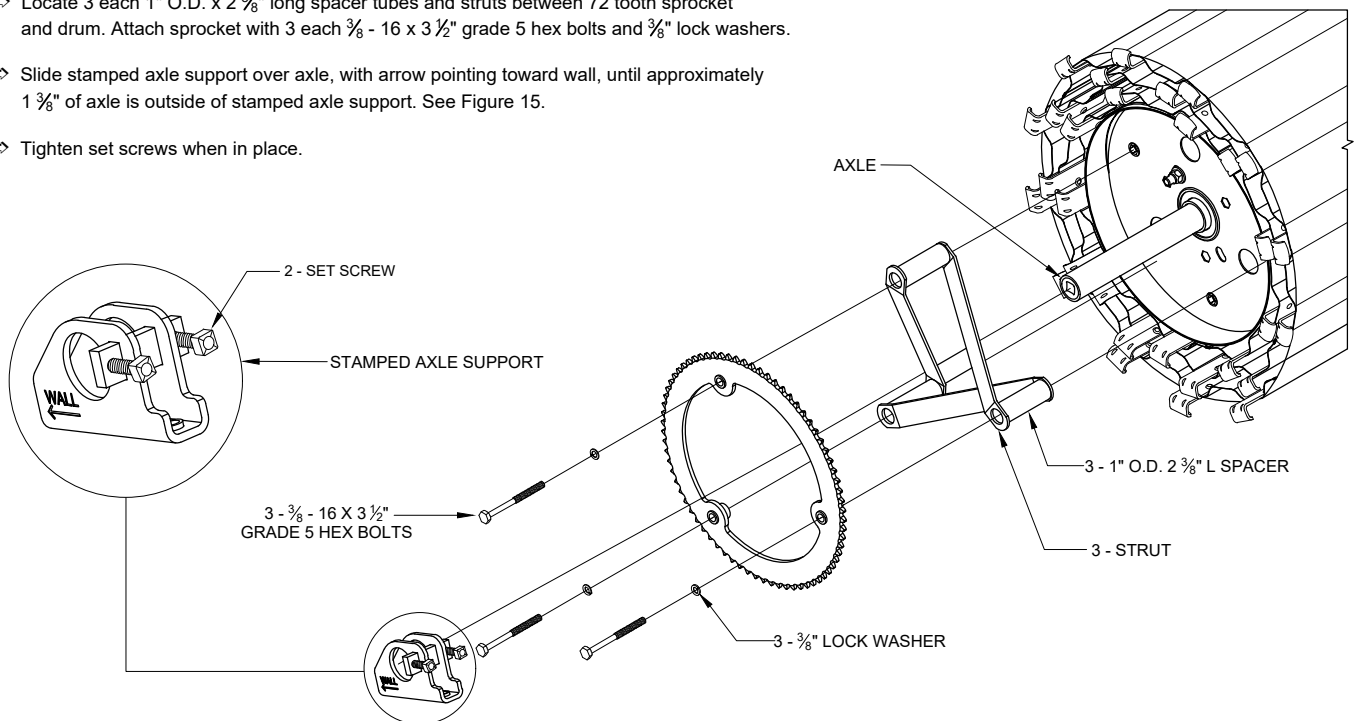
- ⇒ Fasten cast ring gear to drum using 3 each  $\frac{3}{8}$  - 16 x  $1\frac{1}{2}$ " grade 5 hex bolts and  $\frac{3}{8}$ " lock washers.
- ⇒ Install 2 each  $\frac{3}{8}$  - 16 x 1" square head set screws in the threaded holes in the cast axle support. These will be tightened against the axle later.
- ⇒ Slide cast axle support over axle until approximately  $2\frac{3}{8}$ " of axle is outside of cast axle support. See Figure 14.
- ⇒ Tighten set screws when in place.



**FIGURE 14: CAST AXLE SUPPORT AND CAST RING GEAR TO DRUM ASSEMBLY**

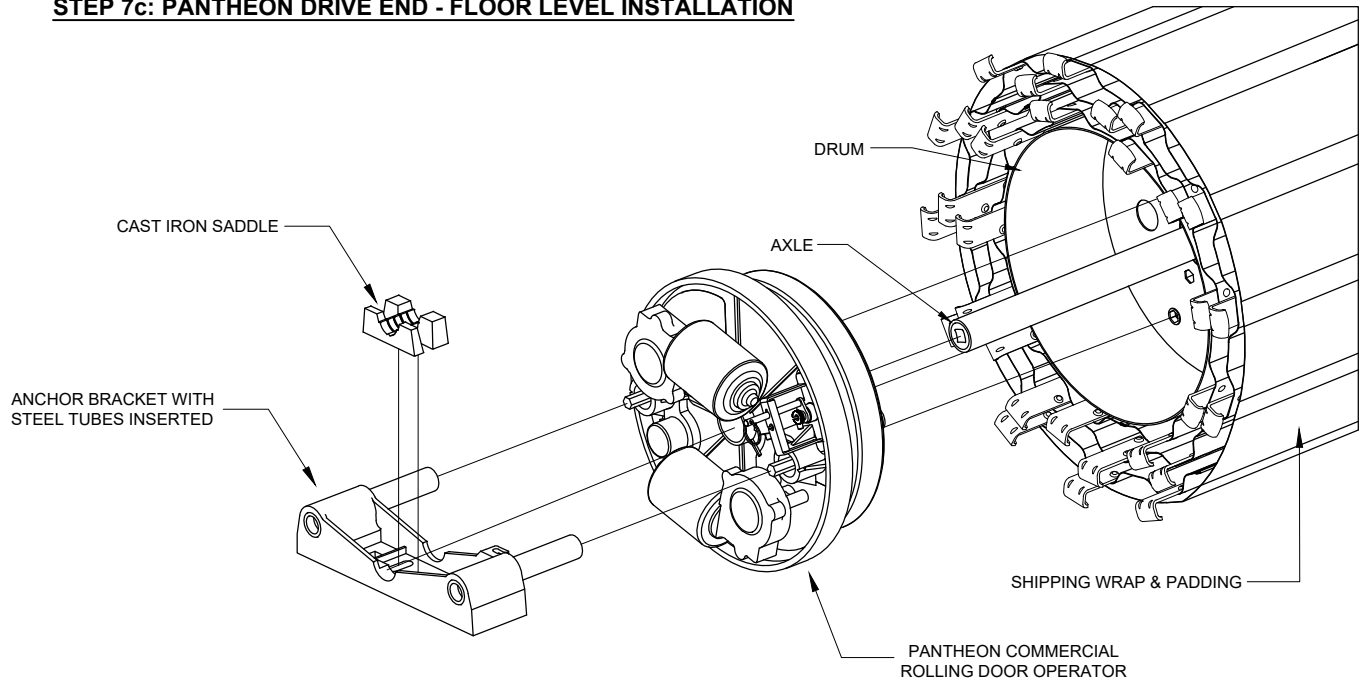
### **STEP 7b: ELECTRIC OPERATOR DRIVE END - FLOOR LEVEL INSTALLATION**

- ⇒ Locate 3 each 1" O.D. x  $2\frac{3}{8}$ " long spacer tubes and struts between 72 tooth sprocket and drum. Attach sprocket with 3 each  $\frac{3}{8}$  - 16 x  $3\frac{1}{2}$ " grade 5 hex bolts and  $\frac{3}{8}$ " lock washers.
- ⇒ Slide stamped axle support over axle, with arrow pointing toward wall, until approximately  $1\frac{3}{8}$ " of axle is outside of stamped axle support. See Figure 15.
- ⇒ Tighten set screws when in place.



**FIGURE 15: EO KIT TO DRUM ASSEMBLY**

### **STEP 7c: PANTHEON DRIVE END - FLOOR LEVEL INSTALLATION**



**FIGURE 16: PANTHEON BARREL ASSEMBLY**

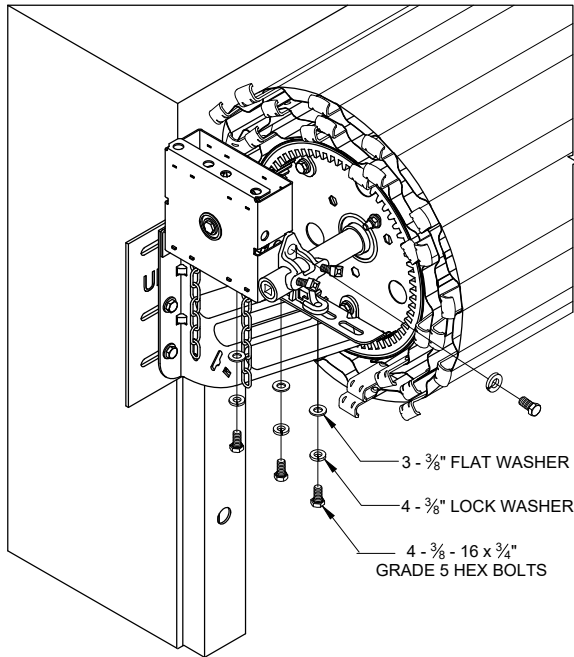
**BEFORE LIFTING DOOR INTO POSITION, ASSURE THAT ALL SET SCREWS ARE TIGHTENED TO ADEQUATELY SECURE AXLE SUPPORTS AND TENSIONER. FAILURE TO SECURE WILL RESULT IN FALLING PARTS, WHICH WILL LEAD TO SERIOUS INJURY OR DEATH.**

### **STEP 8: RAISING DOOR ASSEMBLY ONTO BRACKETS**

- ⇒ Before lifting, orient bottom bar at 12 o'clock position.
- ⇒ Raise door using appropriate lifting equipment, assuring a protective barrier is maintained between product and any surface or object that it may come into contact with.
- ⇒ Position door on brackets with tensioner and axle support resting safely on top of commercial bracket flange. See Figures 17-20 for appropriate drive type application.
- ⇒ Door should be positioned as close as possible to the header and still be able to rotate and clear bottom bar.
- ⇒ Each end of door should be equal distance from the header and the curtain must be centered in the opening.

**ASSURE BELLMOUTH IS AS INSTRUCTED IN STEP 3. FAILURE TO FLARE GUIDE BELLMOUTH WILL RESULT IN CURTAIN SCRATCHING AND/OR DAMAGE.**

**USE APPROPRIATE LIFTING EQUIPMENT AND CORRECT LIFTING PROCEDURES TO AVOID DAMAGE, SERIOUS INJURY OR DEATH.**

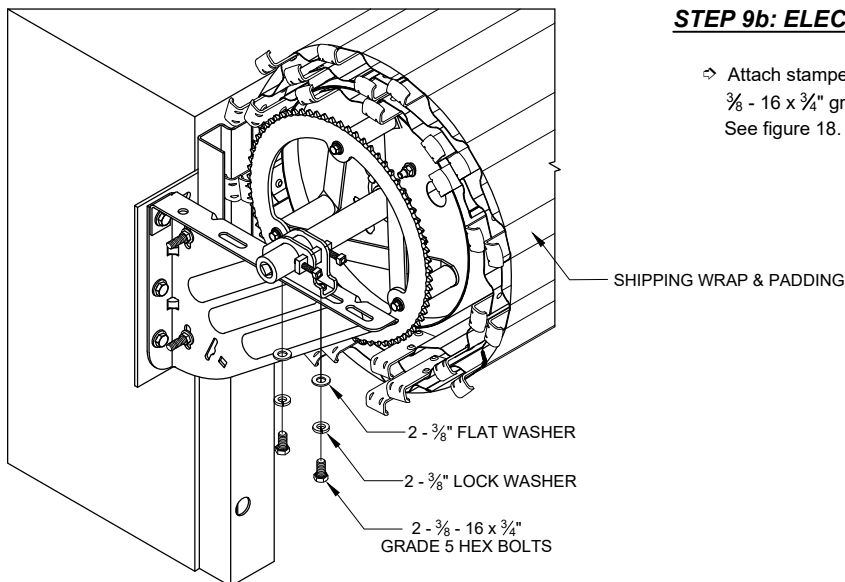


**STEP 9a: REDUCED HAND CHAIN DRIVE END**

- ⇒ Attach cast axle support to commercial bracket using  $\frac{3}{8}$  - 16 x  $\frac{3}{4}$ " grade 5 hex bolt,  $\frac{3}{8}$ " lock washer and  $\frac{3}{8}$ " flat washer.
- ⇒ Position chain hoist assembly on door bracket next to cast axle support and attach to door bracket using 2 each  $\frac{3}{8}$  - 16 x  $\frac{3}{4}$ " grade 5 hex bolts,  $\frac{3}{8}$ " lock washers and  $\frac{3}{8}$ " flat washers. The spur gear on the hoist will engage with the internal teeth of the previously installed cast ring gear. See figure 17.
- ⇒ Connect cast axle support bracket to side of chain hoist using  $\frac{3}{8}$  - 16 x  $\frac{3}{4}$ " hex bolt and  $\frac{3}{8}$ " lock washer. See Figure 17.
- ⇒ Feed hand chain over chain pocket wheel and through hoist. Connect ends of hand chain, being careful not to twist chain. Hand chain may be lengthened or shortened as necessary.
- ⇒ Install hand chain keeper on wall or jamb.

**FIGURE 17: CAST AXLE SUPPORT TO BRACKET**

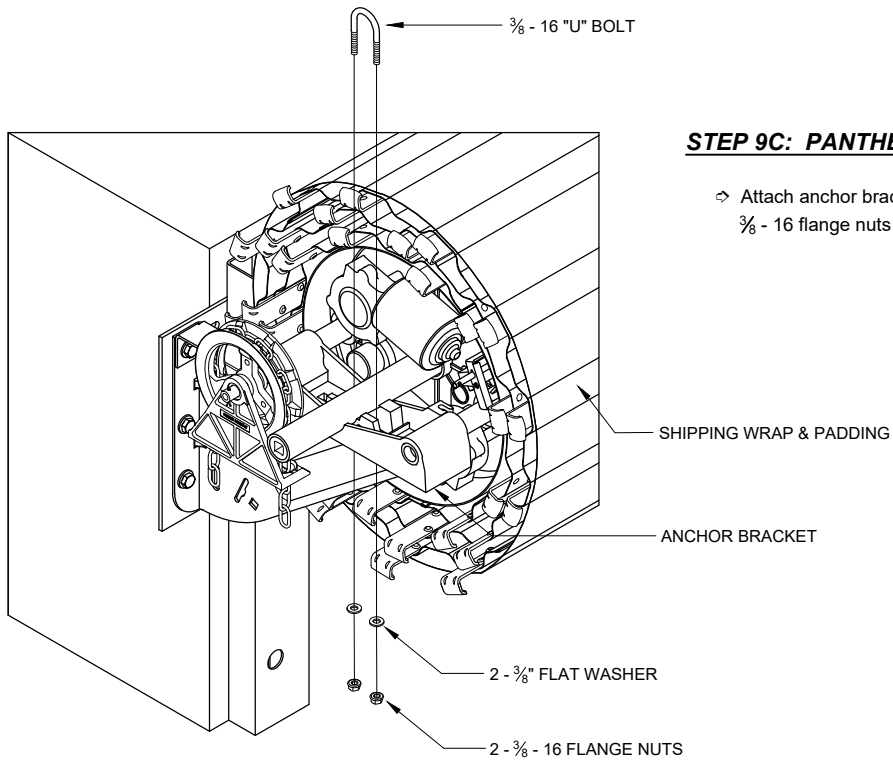
⚠ **DO NOT REMOVE WRAPPING FROM DOOR UNTIL INSTRUCTED TO DO SO.** ⚠



**STEP 9b: ELECTRIC OPERATOR DRIVE END**

- ⇒ Attach stamped axle support to commercial bracket using 2 each  $\frac{3}{8}$  - 16 x  $\frac{3}{4}$ " grade 5 hex bolt,  $\frac{3}{8}$ " lock washer and  $\frac{3}{8}$ " flat washer. See figure 18.

**FIGURE 18: STAMPED AXLE SUPPORT TO BRACKET**



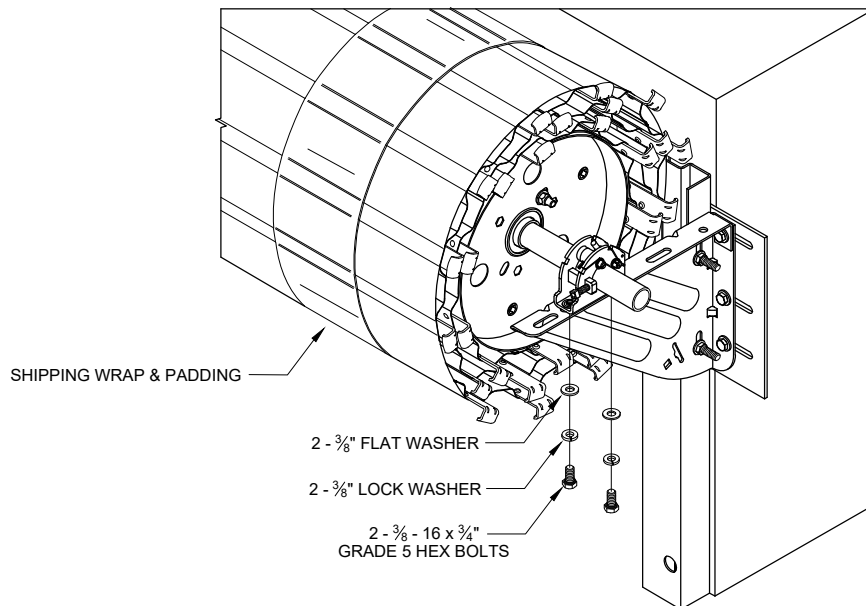
**STEP 9C: PANTHEON DRIVE END**

⇒ Attach anchor bracket to commercial bracket using u-bolt and 2 each 3/8 - 16 flange nuts and 3/8" flat washers. See Figure 19.

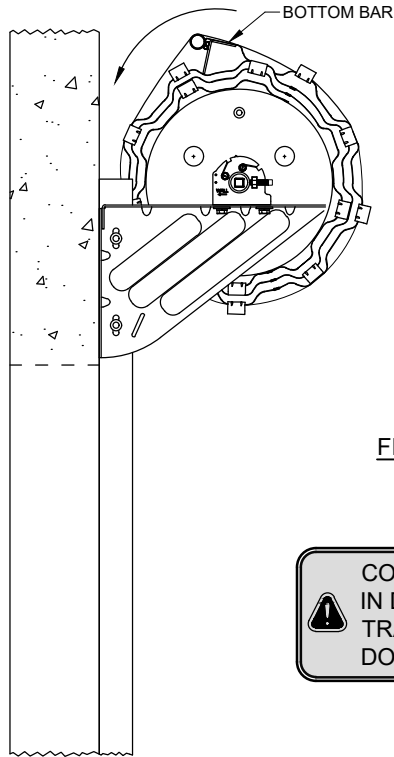
**FIGURE 19: PANTHEON ASSEMBLY TO BRACKET**

**STEP 10: TENSIONER END**

⇒ Attach tensioner to commercial bracket using 2 each 3/8 - 16 x 3/4" grade 5 hex bolts, 3/8" lock washers and 3/8" flat washers. See Figure 20.





**FIGURE 20: TENSIONER TO BRACKET**

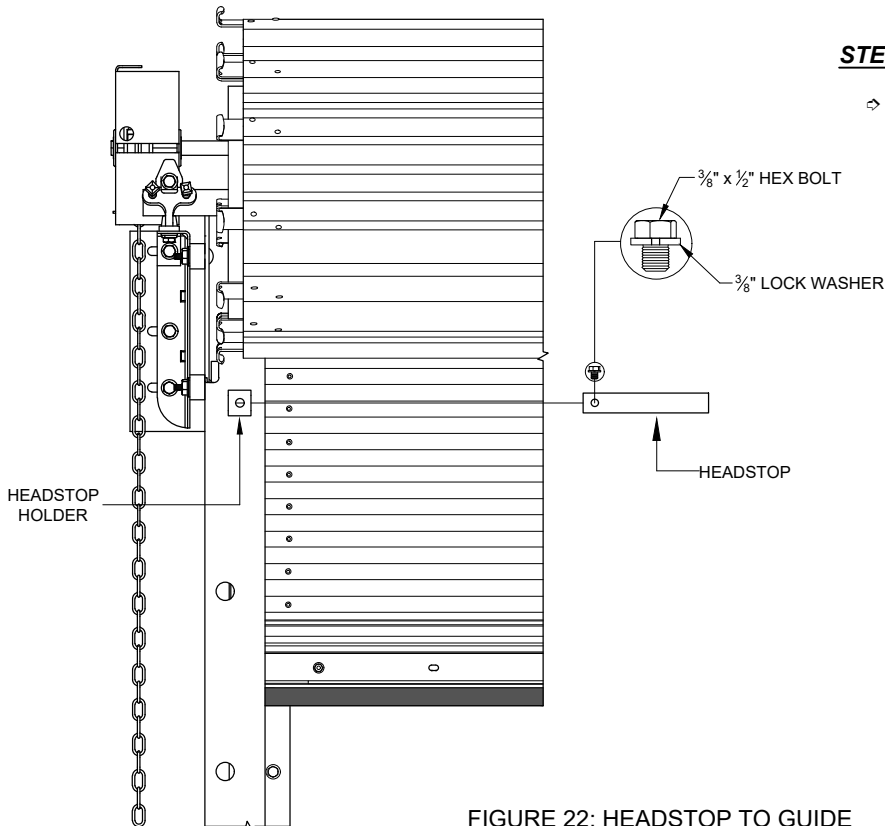


**STEP 11: SETTING INITIAL SPRING TENSION**

- ⇒ With bottom bar at 12 o'clock position, rotate door towards wall 2 revolutions.
- ⇒ While firmly holding door at bottom bar, cut packaging that secures the door. Direct bottom bar into guides, stopping just below headstop area. See Figure 21.

**FIGURE 21: DOOR ASSEMBLY, TENSIONER SIDE**


**COMPONENTS UNDER EXTREME SPRING TENSION COULD RESULT IN DEATH OR SERIOUS INJURY. ADJUSTMENTS MUST BE MADE BY TRAINED ROLLING DOOR TECHNICIANS USING PROPER TOOLS. DOOR MUST BE FULLY OPENED WHEN MAKING ADJUSTMENTS.**




**STEP 12: HEADSTOP INSTALLATION**

- ⇒ Slide headstop into headstop holder, lining up holes on each. Attach headstop using  $\frac{3}{8}$ " x  $\frac{1}{2}$ " hex bolt and  $\frac{3}{8}$ " lock washer as shown in Figure 22.

**FIGURE 22: HEADSTOP TO GUIDE**

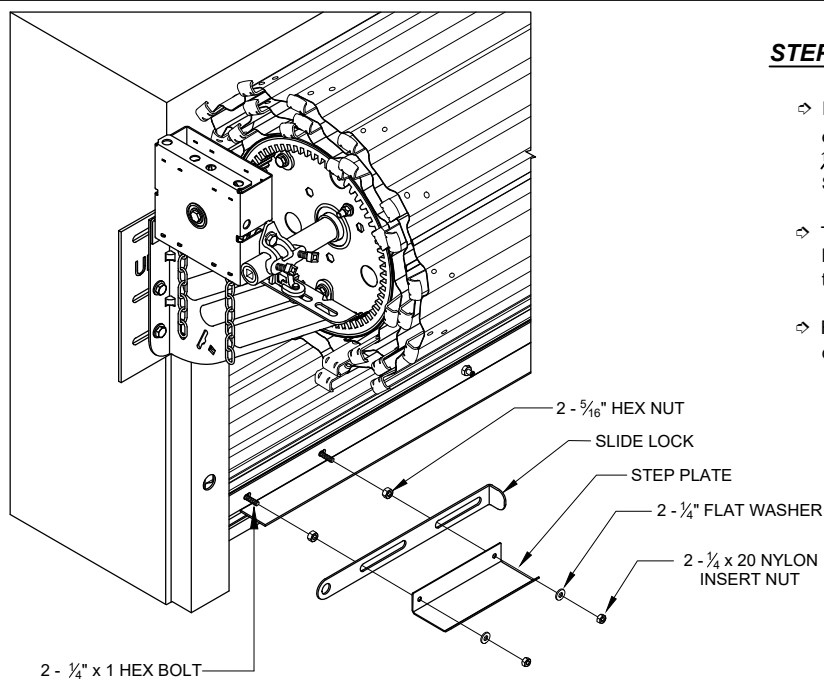


FIGURE 23: ATTACHING SLIDE LOCK ASSEMBLY

**STEP 13: SLIDE LOCK ASSEMBLY INSTALLATION**

- ⇒ Lower bottom bar and install slide lock and step plate using 2 each 1/4 - 20 x 1" hex bolts, 5/16 - 18 hex nuts, 1/4" flat washers and 1/4 - 20 nylon insert hex nuts. Do this at both ends of bottom bar. See Figure 23.
- ⇒ Transfer the 1/4 - 20 x 1/2" carriage bolts and 1/4 - 20 serrated flange hex nuts that were removed from both ends of the bottom bar to the 2 holes at the center of the bottom bar and angle.
- ⇒ For push-up operation only, install rope in one of the holes at the center of the horizontal leg of the bottom bar angle.

**STEP 14: DOOR OPERATION**

⚙ **Note:** Before cycling door to test door operation, assure that all fasteners and set screws are tightened and securing all components.

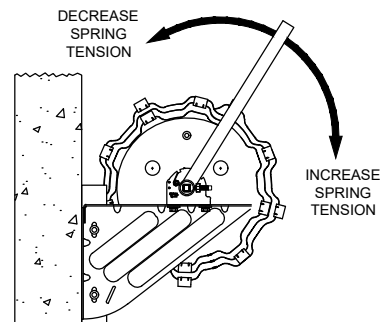
- ⇒ Cycle door by raising and lowering door to its fully closed and fully opened position.
- ⇒ Set limits of electrically operated doors at this time.
- ⇒ Evaluate spring tension. If adjustments to spring are required, proceed to Step 15.

⚠ COMPONENTS UNDER EXTREME SPRING TENSION COULD RESULT IN DEATH OR SERIOUS INJURY. ADJUSTMENTS MUST BE MADE BY TRAINED ROLLING DOOR TECHNICIANS USING PROPER TOOLS. DOOR MUST BE FULLY OPENED WHEN MAKING ADJUSTMENTS. ⚠

⚠ INCREASING OR DECREASING SPRING TENSION MUST BE DONE FROM TENSIONER SIDE OF DOOR ASSEMBLY. ⚠

**STEP 15: ADJUST SPRING TENSION**

- ⇒ Before increasing or decreasing spring tension, loosen 3/8 - 16 square head set screws in tensioner and axle support at both ends of door.
- ⇒ INCREASING SPRING TENSION: At tensioner end, using pipe wrench, rotate axle/pipe wrench away from wall. Increase tension in 1/4 - 1/2 turn increments. Allow axle/pipe wrench to ease back towards wall until tensioner secures axle rotation. Re-set set screws and re-evaluate spring tension by cycling door.
- ⇒ DECREASING SPRING TENSION: At tension end, using pipe wrench, rotate axle/pipe wrench away from wall slightly. Holding this position, rotate tensioner release arm towards wall. Carefully allow axle/wrench to rotate towards wall in 1/4 turn increments. While holding this position, allow tensioner release arm to rotate back to its starting position. Carefully allow axle/pipe wrench to ease back until tensioner secures axle rotation. Re-tighten set screws and re-evaluate spring tension by cycling door.



**STEP 16: WARNING LABEL**

- ⇒ Apply warning label at a readable height on the drive side door guide or jamb.



# JANUS

INTERNATIONAL GROUP

135 JANUS INTERNATIONAL BLVD.  
TEMPLE, GA 30179  
PHONE 770-562-2850 / FAX 770-562-1991

[www.Janusintl.com](http://www.Janusintl.com)