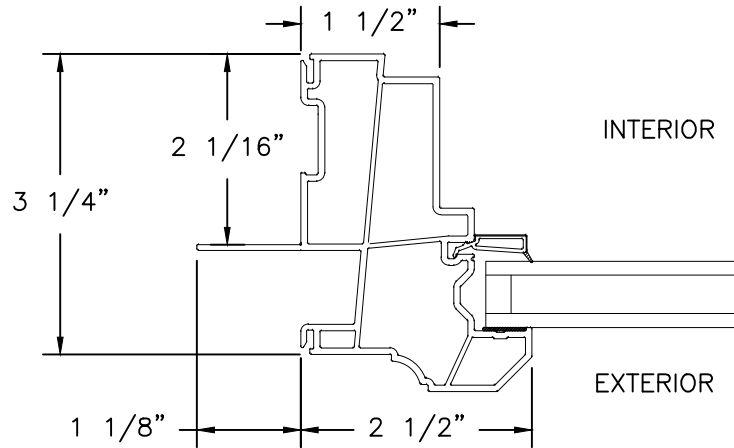


VERTICAL CROSS SECTION
WITH FIN FRAME
SERIES 1436/2456

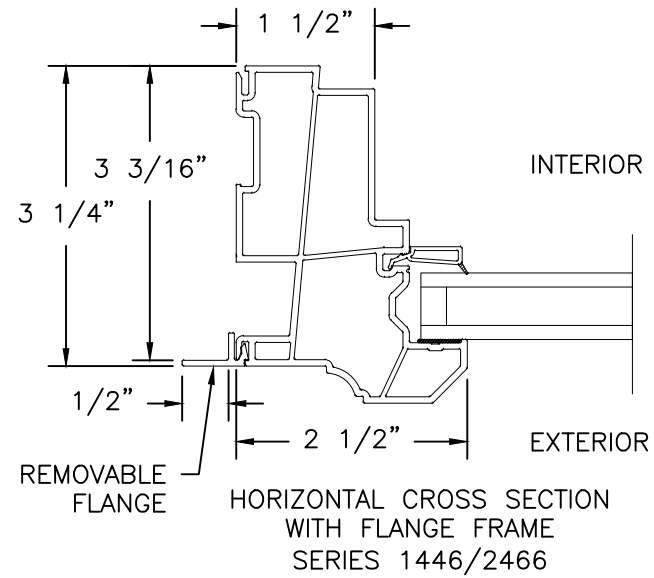
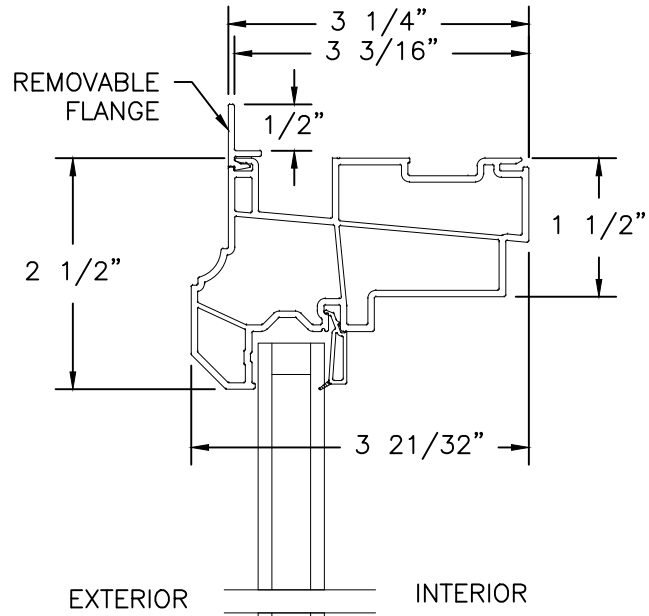


HORIZONTAL CROSS SECTION
WITH FIN FRAME
SERIES 1436/2456

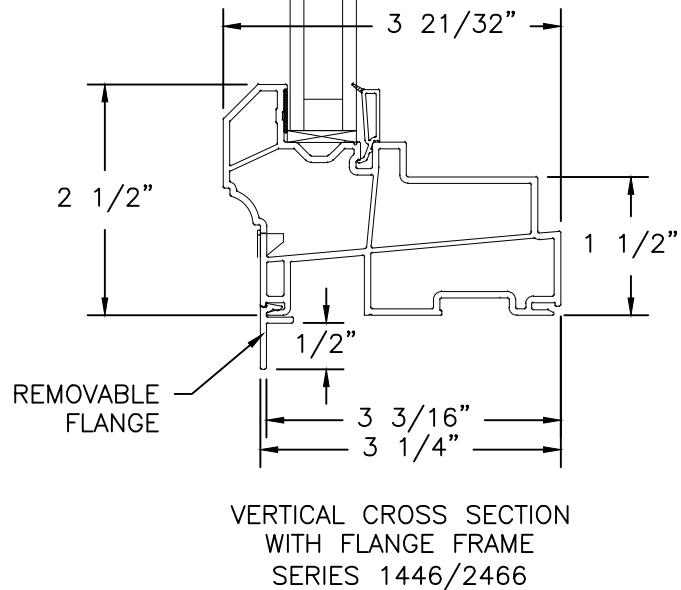
NOTE:
FLANGE CAN BE ADDED TO CREATE
A FIN FRAME WITH J-CHANNEL
CONDITION. SEE SHEET 2 FOR FLANGE.

REVISIONS			
BY	DATE	DESCRIPTION	REV

 Eastern ARCHITECTURAL SYSTEMS ALUMINUM AND VINYL IMPACT WINDOWS AND DOORS	EASTERN ARCHITECTURAL SYSTEMS A DIVISION OF EASTERN METAL SUPPLY	
	10030 BAVARIA ROAD FORT MYERS, FLORIDA 33913 800-432-2204	
TITLE: EASTERN ARCHITECTURAL SYSTEMS SERIES 1436/2456 PW – VINYL FIN FRAME SIGHT LINE DIMENSIONS		
DATE: 01/23/13	DRAWN BY: TJH	PREPARED BY:
DRAWING NO: EC-0009	SCALE: N.T.S.	
SHEET: 1 OF 3	REV: -	



NOTE:
FLANGE CAN BE REMOVED TO CREATE
A BOX FRAME CONDITION.



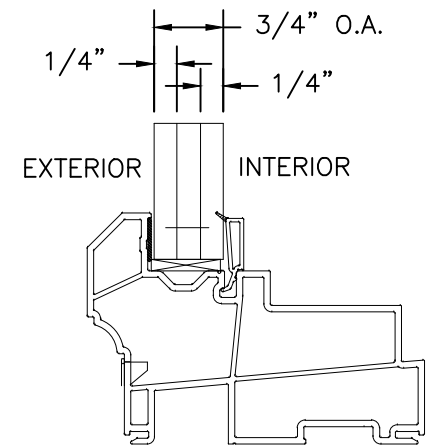
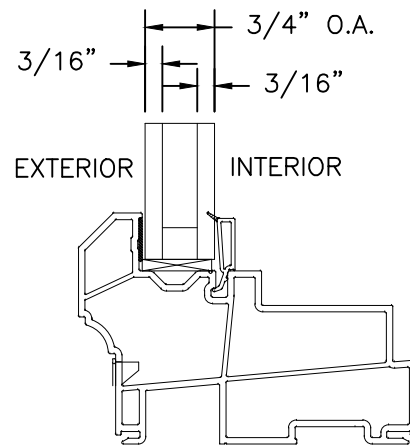
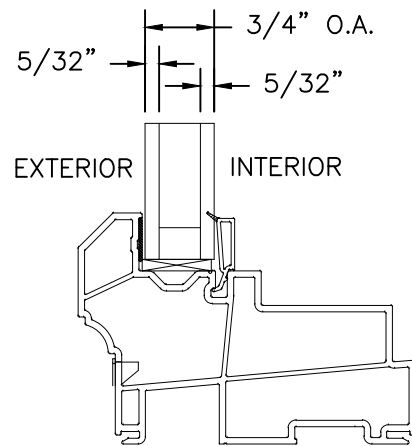
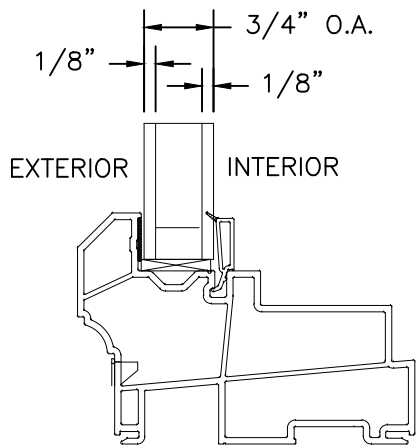
REVISIONS			
BY	DATE	DESCRIPTION	REV

Eastern
ARCHITECTURAL SYSTEMS
ALUMINUM AND VINYL
IMPACT WINDOWS AND DOORS

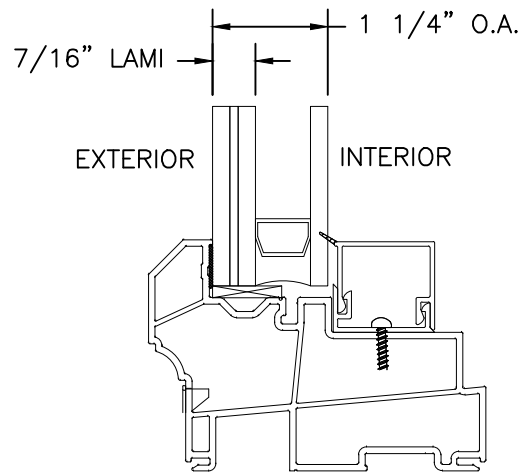
EASTERN ARCHITECTURAL SYSTEMS
A DIVISION OF
EASTERN METAL SUPPLY
10030 BAVARIA ROAD
FORT MYERS, FLORIDA 33913
800-432-2204

TITLE: EASTERN ARCHITECTURAL SYSTEMS
SERIES 1446/2466 PW - VINYL FLANGE FRAME
SIGHT LINE DIMENSIONS

DATE: 01/23/13	DRAWN BY: TJH	PREPARED BY:
DRAWING NO: EC-0009	SCALE: N.T.S.	
SHEET: 2 OF 3	REV: -	




3/4" INSULATED NON-IMPACT GLAZING OPTIONS
SERIES 1436/1446



1 1/4" INSULATED IMPACT GLAZING OPTION
SERIES 2456/2466

REVISIONS			
BY	DATE	DESCRIPTION	REV

 Eastern ARCHITECTURAL SYSTEMS ALUMINUM AND VINYL IMPACT WINDOWS AND DOORS		EASTERN ARCHITECTURAL SYSTEMS A DIVISION OF EASTERN METAL SUPPLY 10030 BAVARIA ROAD FORT MYERS, FLORIDA 33913 800-432-2204	
TITLE: EASTERN ARCHITECTURAL SYSTEMS SERIES 1436/1446 & 2456/2466 PW - VINYL FRAME GLAZING OPTIONS			
DATE: 01/23/13		DRAWN BY: TJH	PREPARED BY:
DRAWING NO: EC-0009		SCALE: N.T.S.	
SHEET: 3 OF 3		REV: -	