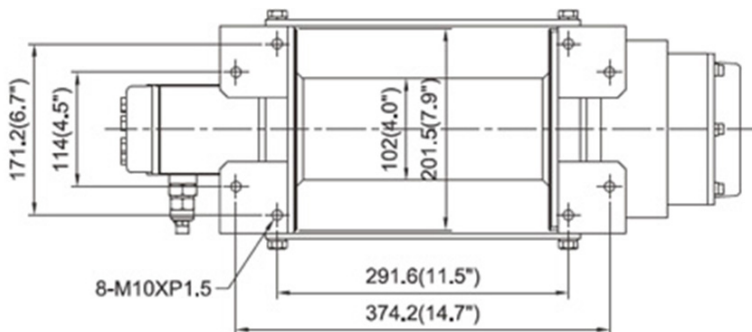
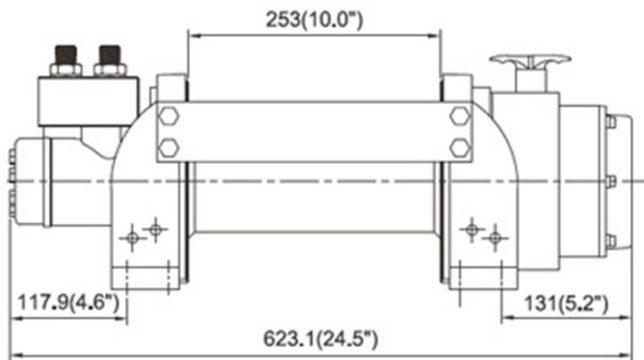
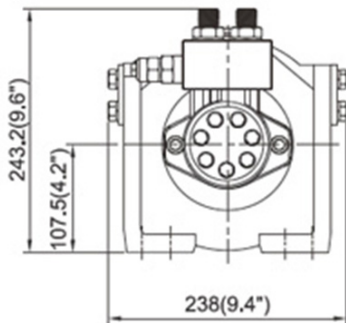


PSHV10000 WINCH

PIERCE

PULLING FOR YOU



CATEGORY WINCH

PART NO. PSHV10000

PRODUCT DESCRIPTION

10,000 lb Hydraulic Industrial Winch

SPECIFICATIONS

| | |
|--------------------------|---|
| RATED LINE PULL | 10,000 lb |
| LINE SPEED | 46 fpm @ 15.9 gpm |
| OPERATION PRESSURE | 2,175 psi |
| MAX OIL FLOW | 15.9 gpm |
| HYDRAULIC MOTOR | 5.9 in ³ / rev |
| GEAR RATIO | 2-stage planetary gear 16:1 |
| WINCH CONSTRUCTION | Aluminum die cast housings with steel drum |
| CLUTCH | Rotating ring gear |
| BRAKE | Spring applied drag brake together with over-center valve supplied |
| ROTATION OF WINCH | Underwound |
| DRUM BARREL DIAMETER | 4" |
| DRUM FLANGE DIAMETER | 7.9" |
| DISTANCE BETWEEN FLANGES | 10" |
| MOUNTING BOLTS PATTERN | 11.5" x 6.7" 14.7" x 4.5" |
| WIRE ROPE RECOMMENDED | 3/8" x 100' or 7/16" x 90' |
| WINCH WEIGHT | 81.4 lb |
| GROSS WEIGHT | 102.5 lb |
| WINCH DIMENSIONS (LxWxH) | 24.6" x 9.4" x 9.7" |
| BOX DIMENSIONS (LxWxH) | 26.2" x 14.6" x 11.2" |

LINE SPEEDS

| LAYERS OF WIRE ROPE | PULL (LB) | WIRE ROPE (FT) | SPEED (@ 15.9 GPM) |
|---------------------|-----------|----------------|--------------------|
| 1 | 10,000 lb | 26.2 ft | 46.0 fpm |
| 2 | 8,369 lb | 57.4 ft | 53.5 fpm |
| 3 | 7,196 lb | 89.0 ft | 62.3 fpm |