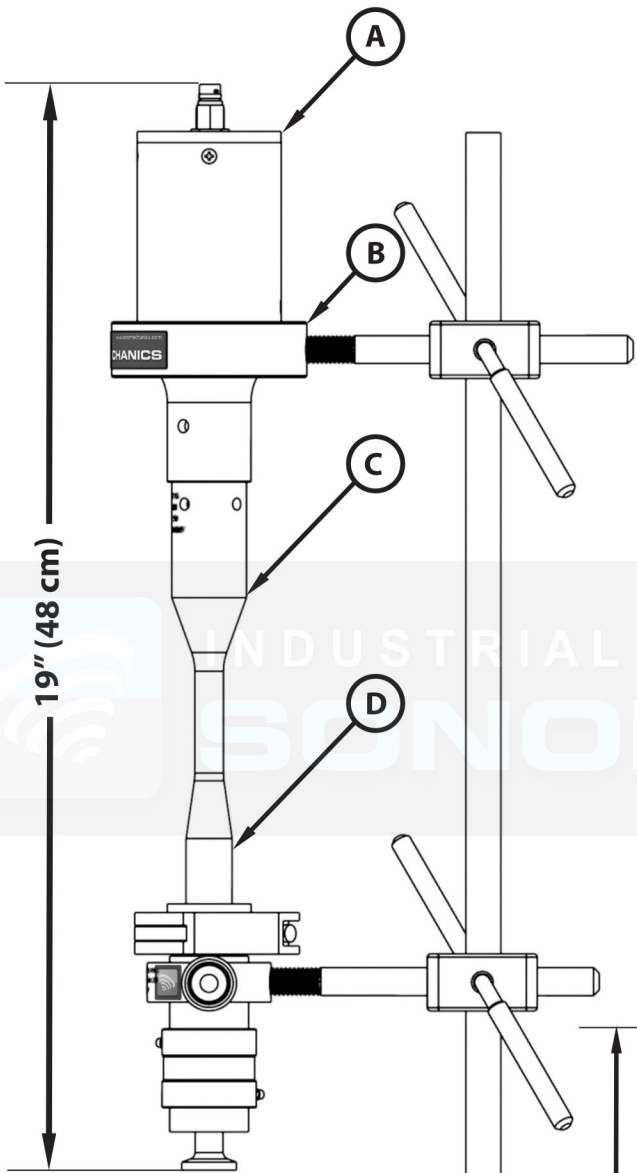


# LSP-500 Ultrasonic Processor Dimensions



**A** Dia. 2.56"  
(65mm)

**B** Dia. 3.5"  
(89mm)

**C** Dia. 1.34"  
(34mm)

**D** Dia. 0.83"  
(21mm)

[www.sonomechanics.com](http://www.sonomechanics.com)

INDUSTRIAL SONOMECHANICS

8" (20 cm)

9" (23 cm)

14.5" (37 cm)