

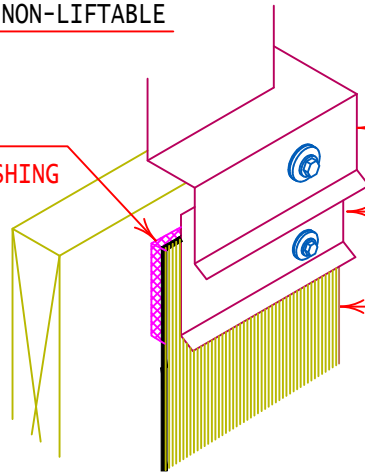
NON-LIFTABLE

FTR #101 SEALANT
BEHIND TOP OF FLASHING

MECHANICAL UNIT

METAL COUNTERFLASHING, FASTEN W/
EPDM WASHERED FASTENERS (12" O.C.)

FTR MEMBRANE FLASHING (FULLY ADHERED)



GALVANIZED ANNULAR
RING SHANK NAILS
(3" O.C.)

ROOF TOP UNIT
OR SKYLIGHT

EPDM WASHERED FASTENER
AS REQUIRED

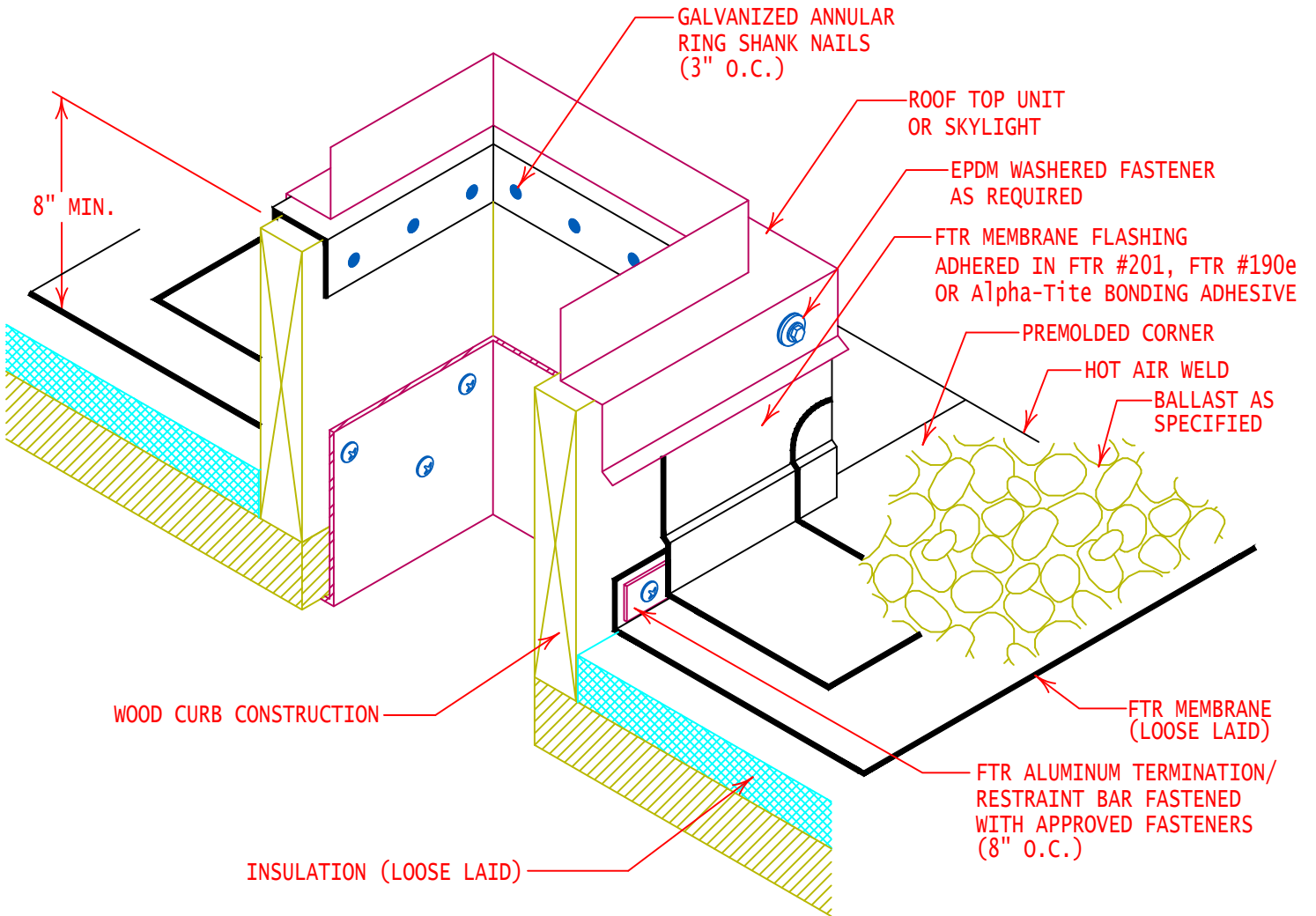
FTR MEMBRANE FLASHING
ADHERED IN FTR #201, FTR #190e
OR Alpha-Tite BONDING ADHESIVE

PREMOLDED CORNER

HOT AIR WELD

BALLAST AS
SPECIFIED

8" MIN.



WOOD CURB CONSTRUCTION

INSULATION (LOOSE LAID)

FTR MEMBRANE
(LOOSE LAID)

FTR ALUMINUM TERMINATION/
RESTRAINT BAR FASTENED
WITH APPROVED FASTENERS
(8" O.C.)



GENERAL REFERENCE:
"FTR GS 01/21"

APPLICABLE SYSTEMS:
"FTR BA 01/21"

**WOOD CURB OR SKYLIGHT FLASHING
(BLOCKING ALTERNATE) T-BAR RESTRAINT**

REVISES DETAIL

ALL PREVIOUS

ISSUE DATE

02-23-21

DRAWING NUMBER

FTR-DP1bi