

Industrial fittings
-V-Spring® telescoping safety light pole

CROUSE-HINDS
SERIES

Increase safety
and decrease
labor costs



EATON

Powering Business Worldwide

Designed for safety.

Whether it's a new installation or a replacement project, lighting maintenance tasks can be dangerous, labor intensive and costly.

Make your job safer, faster and easier with V-Spring telescoping light poles.

The new, patent-pending V-Spring telescoping light pole from Eaton's Crouse-Hinds business increases safety and decreases labor costs associated with lighting installation and routine maintenance.

Its innovative design allows for all work to safely take place on the platform or walkway, eliminating the need for portable ladders and fall protection equipment.

Application

- For luminaires installed on industrial walkways, platforms, stairways and conveyors where OSHA/HSE regulations require fall prevention equipment
- Hard to reach or dangerous areas where safety is a big concern
- Hazardous and harsh environments subject to corrosive agents, vibration and extreme temperatures

Introducing

-V-Spring[®]

Install and maintain lighting fixtures without ever leaving the ground.



Product specifications

Construction

- Telescoping
- Factory sealed and pre-wired

Installed height

- Adjustable raised height

Certifications

- UL1598
- CSA C22.2 No. 250.0-08
- cULus listed for Class I, Division 2, Class II, Division 2 when used with Champ® series luminaires

Environmental ratings

- Dusttight
- NEMA 4, IP66
- Wind rated to 230 mph per AASHTO standards

Vibration

- DNV No. 2.4: 2006
- IEC 60068-2-6: 2007

Materials

Light pole options

- Structural steel: A36-500
- Hot dip galvanized: ASTM 123
- Aluminum: T6061
- Stainless steel: 316 grade

Compression spring

- Stainless steel

Hardware

- Xylan 1400 coated for corrosion protection

Cable

- 12/3 AWG* UL/CSA Listed
- 600V, -40°C to 105°C
- Sun- and oil-resistant, FT1, FT2
- ROHS II Reach

Weather cover

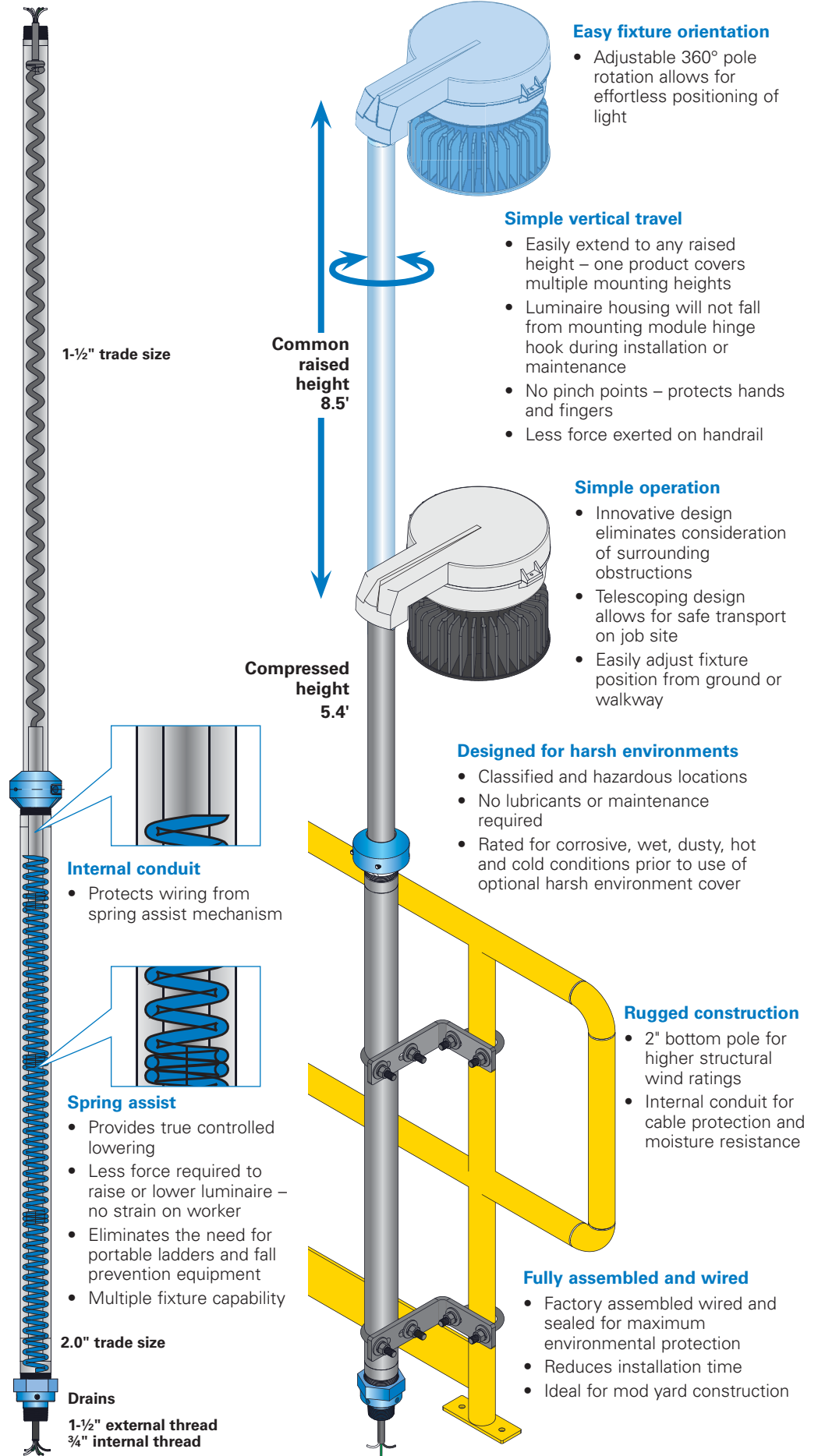
- 60 Duro high UV-resistant EPDM

Weights

- Handrail stanchion and wall models:
 - Structural steel: 42 lbs.
 - Aluminum: 23 lbs.
- Base/structural model:
 - Structural steel: 70 lbs.
 - Aluminum: 34 lbs.

Maximum luminaire weight

- 50 lbs. (recommended weight for one person operation)



* IEC version available upon request

Safety by design

Maintaining lighting in industrial facilities is often a complex and costly task, as the majority of the fixtures are in dangerous and difficult to reach locations. For lights in elevated locations, OSHA/HSE regulations require fall prevention equipment any time a worker is exposed to a fall of six feet or greater.

While personal protection equipment will help protect workers from threat, there is still a risk of injury from a fall. Preventing the worker from being exposed to the threat altogether is the most effective risk-reduction measure.

Transition from protecting the worker to **eliminating the risk.**

All work takes place on the ground

- Spring assistance allows the luminaire to be lowered safely and easily – **eliminating the need for portable ladders and fall prevention equipment.**

Vertical travel reduces force and stress

- When compared to 45 degree lowering systems, the V-Spring's spring assisted vertical movement requires **65% less force to raise or lower and removes mechanical stress on the handrail by over 300%.**

Luminaire housing will not fall

- The vertical travel of the V-Spring allows the luminaire housing to properly hang from the mounting module hinge during installation and maintenance. **No risk of dropped or falling ballasts.**

No pinch points

- The V-Spring locking collar has no rotating parts during operation, **protecting hands and fingers from injury.**

#1 The most frequently cited OSHA violation is fall protection



34% of worker deaths on construction sites are from falls

Source: Occupational Safety & Health Administration (OSHA)

yesterday's problem



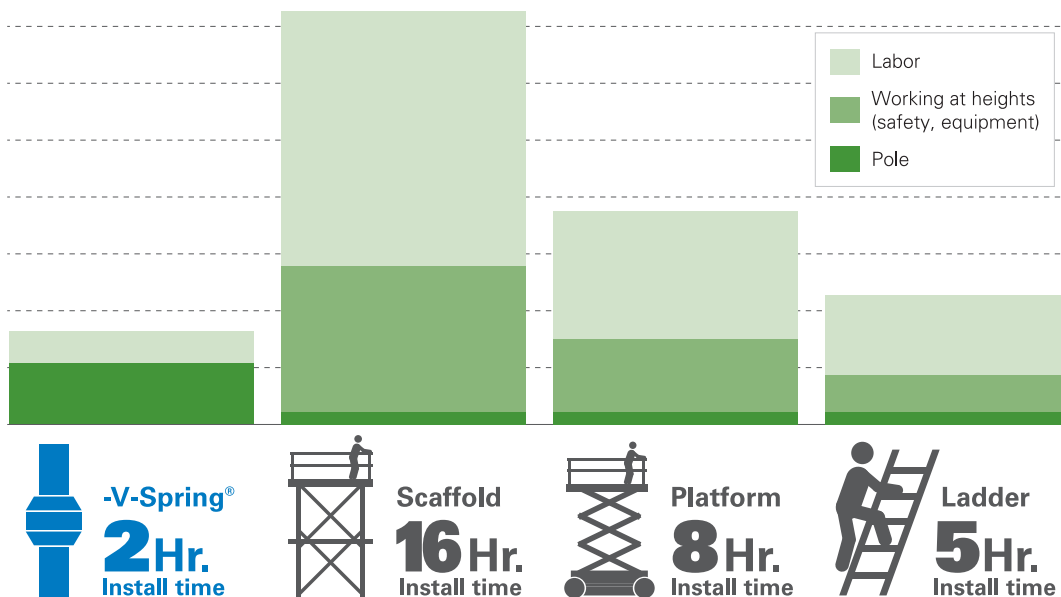
today's solution



Significant cost savings

Reduce initial and long-term costs

Total installation cost



Protect what's important

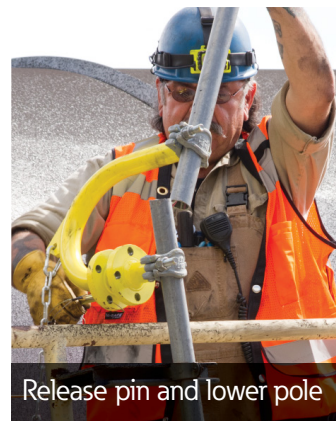
Every \$1 invested in safety returns \$3 to \$6

Source: Liberty Mutual Institute for Safety

The only pole replacement solution listed for classified and hazardous locations.

Replacement made easy

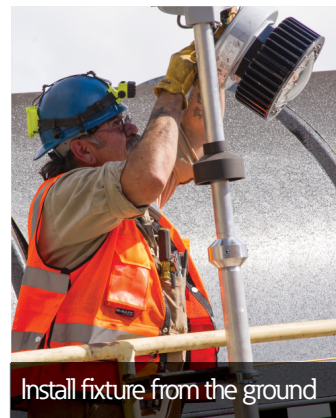
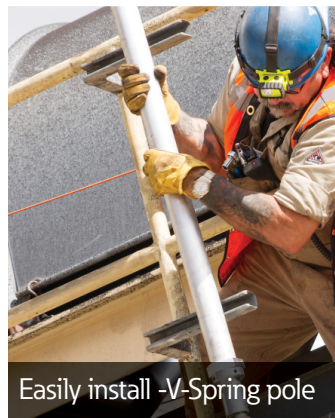
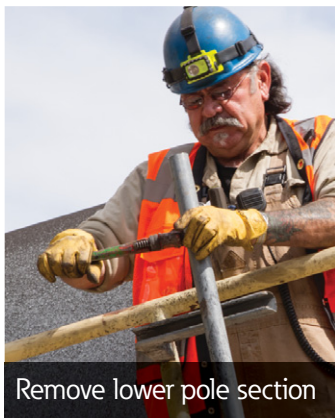
If you are looking to upgrade your facility's lighting technology, use the V-Spring telescoping pole as a labor-saving installation tool. With our pole removal tool, the V-Spring can easily replace existing lighting systems, allowing you to quickly and safely install your new luminaires from the ground.



Replacement labor costs can be reduced by 30-50% with this approach, as the high cost of working at heights is avoided.

As an added benefit, the V-Spring will deliver additional labor savings from ongoing inspection and maintenance of the luminaire throughout its life cycle!

Complete pole replacement ensures structural integrity!



Ordering information

Part number example

V65H-G-JM5-T57

-V-Spring telescoping light pole, galvanized, handrail mount, assembled with optional 25° top hat and T fitting

V65 H - G

Series

V65	V-Spring telescoping light pole
------------	---------------------------------

Mounting

B	Base
W	Wall
H	Handrail stanchion

Stanchion mounting kits must be ordered separately. See table below for options.

Handrail mounting kits

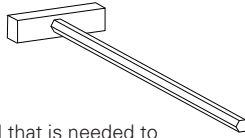
MHK-RTG	Tubular rail, galvanized
MHK-RTS	Tubular rail, stainless
MHK-RAG	Angled rail, galvanized
MHK-RAS	Angled rail, stainless
MHK-RIG	Incline rail, galvanized
MHK-RIS	Incline rail, stainless

Material

G	Galvanized steel
A	Aluminum
S	316 stainless steel

Harsh environment cover

BLANK	No cover
C	Installed cover for locking collar



All that is needed to operate is 1/4" allen wrench

Labor savings options

Minimum order quantity: 10 pieces

- JM5 - T57

Fitting*

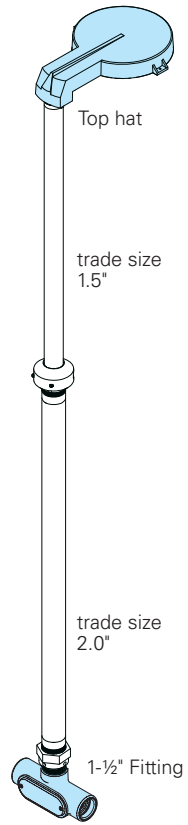
T57	Form 7 – 1-1/2"
T58	Form 8 – 1-1/2"
T59SX77	Mark 9 (aluminum with ground screw) – 1-1/2"
T57SA	Form 7 (aluminum) – 1-1/2"

*Contact factory for additional labor saving options

Top hat*

JM5	25° angled top hat
PM5	Straight top hat

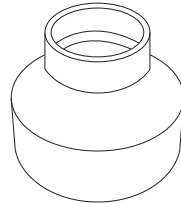
*For Champ® series luminaires only



Accessories (ordered separately)

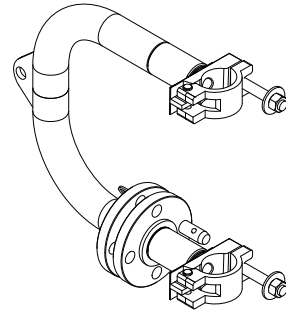
Harsh environment cover

EC65	Harsh environment cover for locking collar
-------------	--



Pole removal

PRT	Pole removal tool
------------	-------------------



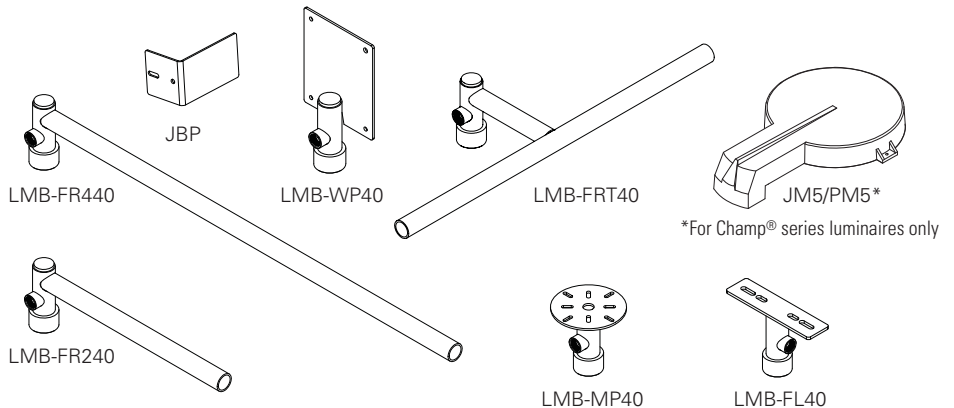
Luminaire mounts

Luminaire mounts - galvanized steel

LMB-FR240	2 ft. (610 mm) fluorescent clamp-on
LMB-FR440	4 ft. (1200 mm) fluorescent clamp-on
LMB-FRT40	3 ft. (920 mm) fluorescent clamp-on, cross arm
LMB-WP40	Multi-purpose bolt-on, vertical
LMB-MP40	Multi-purpose, bolt-on, horizontal
LMB-FL40	Floodlight bolt-on
JBP-G	Junction box plate

Champ® only luminaire mounts - aluminum

JM5	25° angled top hat
PM5	Straight top hat

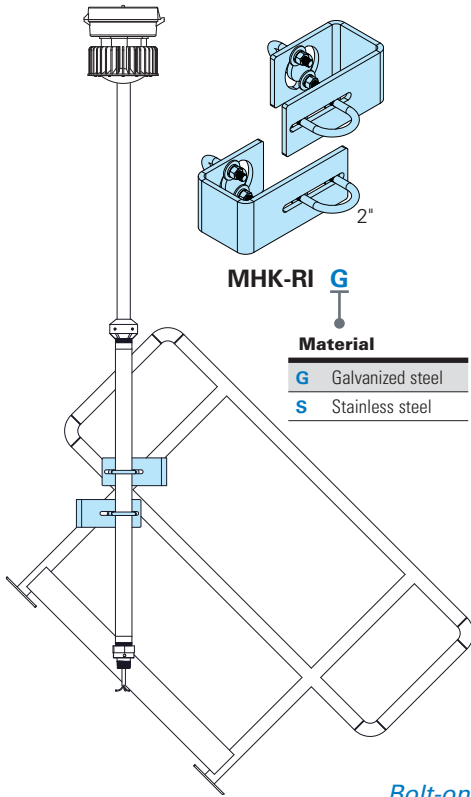


*For Champ® series luminaires only

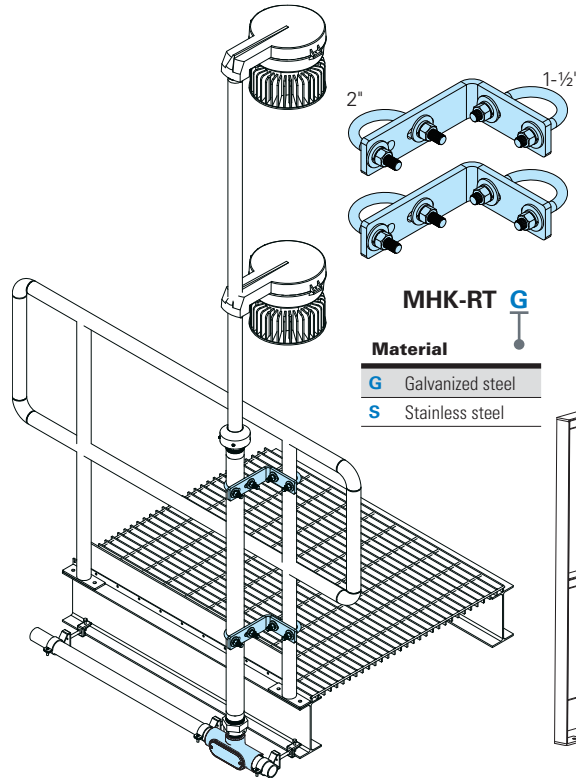
Contact factory for aluminum or stainless options.

Installation options

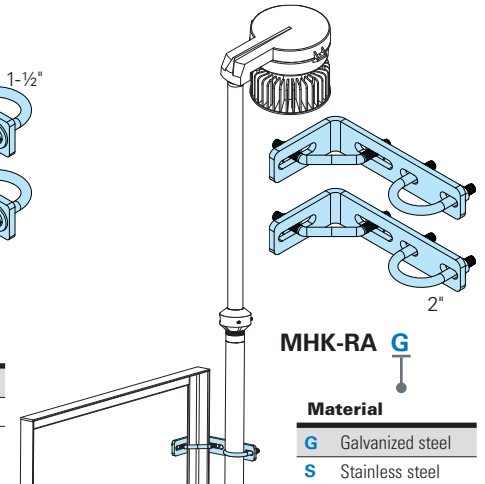
Inclined rail mount



Universal rail mount - tubular rail

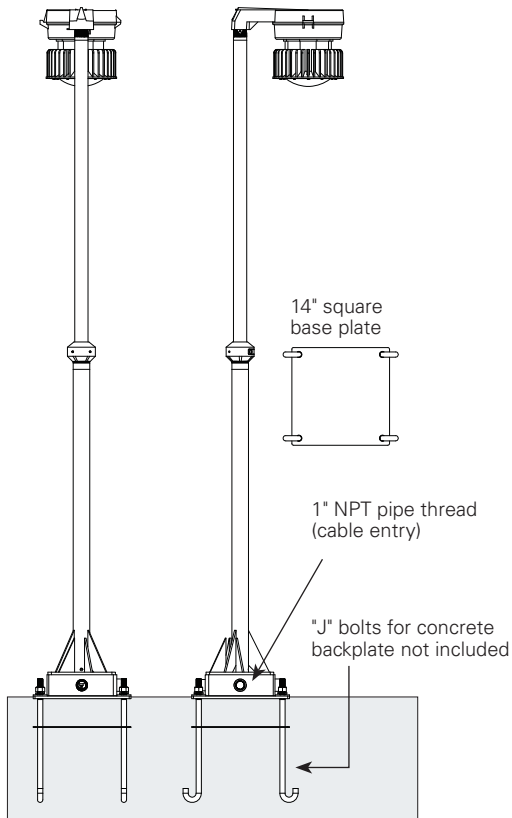


Universal rail mount - angular

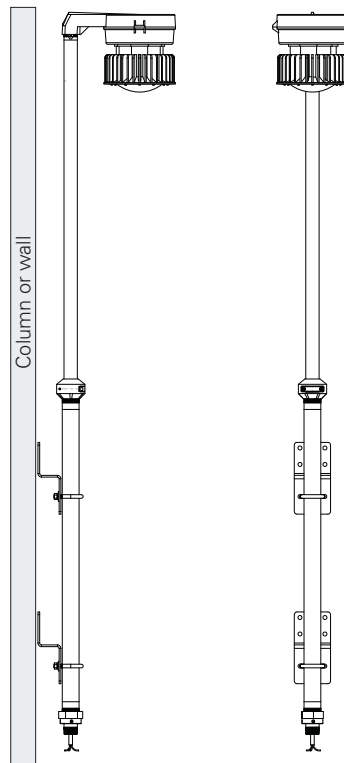


Bolt-on (weld-less) brackets provided as a complete kit

Base mount



Column/wall mount



NOTE:

All mounting hardware for base and wall are included with pole.

Wall mount bracket included (**MHK-WG**)

For V-Spring dimensional drawings, please visit: www.crouse-hinds.com

Configure, view and download

Configure and select products down to the SKU level, view 2D drawings and 3D models and download the models in 100+ file formats.

www.crouse-hinds.com/cospec

**U.S. (global headquarters):
Eaton's Crouse-Hinds business**

1201 Wolf Street
Syracuse, NY 13208

(866) 764-5454
FAX: (315) 477-5179
FAX Orders Only:
(866) 653-0640

crousecustomerctr@eaton.com

For more information:

If further assistance is required, please contact an authorized Eaton Distributor, Sales Office, or Customer Service Department.

Canada

Toll Free: 800-265-0502
FAX: (800) 263-9504
FAX Orders only: (866) 653-0645

Mexico/Latin America/Caribbean

52-555-804-4000
FAX: 52-555-804-4020
ventascentromex@eaton.com

Europe (Germany)

49 (0) 6271 806-500
49 (0) 6271 806-476
sales.CCH.de@cooperindustries.com

Middle East (Dubai)

9714-8066100
FAX: 9714-8894813
chmesales@eaton.com

Singapore

65-6645-9888
FAX: 65-6297-4819
chsi-sales@cooperindustries.com

China

86-21-2899-3600
FAX: 86-21-2899-4055
cchsales@cooperindustries.com

Korea

82-2-3484-6783
82-2-3484-6778
CCHK-sales@cooperindustries.com

Australia

61-2-8787-2777
FAX: 61-2-9609-2342
CEASales@cooperindustries.com

India

91-124-4683888
FAX: 91-124-4683899
cchindia@eaton.com

Eaton's Crouse-Hinds
1201 Wolf Street
Syracuse, NY 13208
Crouse-Hinds.com

Eaton
1000 Eaton Boulevard
Cleveland, OH 44122
United States
Eaton.com

© 2015 Eaton
All Rights Reserved
Printed in USA
Publication No. 5161-1015
October 2015

Eaton is a registered trademark.
All other trademarks are property of their respective owners.