



Model 1013-COVER Articulating Right Angle Wall Bracket with Vanity Cover for WAPs & Antennas

Category: Wall and Hard Ceiling - Surface Mount



Articulating WAP and antenna mount for most manufacturers' WAPs and directive (or patch) antennas on pillars and walls. The 1013 is attached to the wall, and WAP and antenna are attached to the articulating mount. The mount can be swiveled on two axes to provide the desired down-tilt and azimuth coverage of the directive antenna. The 1013 with the directive antenna can be used to create zones of coverage within stadiums, high-density auditoriums, and classrooms. Includes vanity cover.

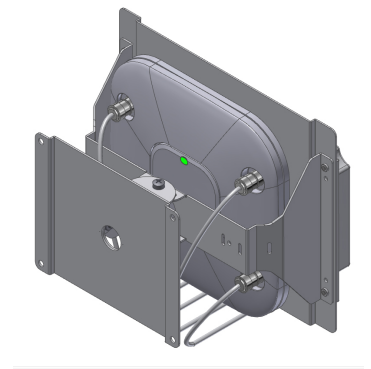


Features

- Excellent for stadiums, high-density auditoriums, and larger classrooms

Specifications

- Designed for Cisco 1260e/1600e/2600e/2700e/3500e/3600e/3700e/3700p series and Aruba Networks AP 104/114/120/124/134/204/224 WAPs; other access points can be mounted using optional universal t-bar; ask your Oberon representative for details
- Swivel on two axes to provide down-tilt and azimuth coverage desired
- T-bar bracket accommodates access points from most vendors. antenna plate accommodates antennas from most vendors
- Can be mounted over telecommunications outlet
- Textured, white powder-coated steel construction, ABS plastic antenna cover
- Size: 11" x 9" x 6.25"
- Weight: 5 lbs. (not including access point or antenna)




Measurements (Maximum values):

- Height: 11 in.
- Width: 9 in.
- Depth: 6.25 in.
- Item Weight: 7 lbs.
- Shipping Weight: 7 lbs.

Includes

- (1) Unit per carton
- (1) Universal T-bar Bracket
- White, paintable ABS cover; may be painted without voiding WAP manufacturer's warranty
- Installation Instructions
- Shipping weight: 7 lbs.

Documentation Links

 [Spec Sheet](http://oberonwireless.com/index.php?option=com_content&view=article&id=1821&Itemid=399) - oberonwireless.com/index.php?option=com_content&view=article&id=1821&Itemid=399