



Quam

SOLUTION 3

CEILING MOUNT

Includes two (2) each:
C10FX/BU/2WS, ERD8U, SSB-6

GENERAL DESCRIPTION

The **SOLUTION 3** is a complete speaker/transformer/designer baffle solution for ceiling installations. Each package includes two (2) C10FX/BU/2WS - The 8C10FEPAX - 8" O.D. foam surround, dual cone speaker with a TBLU - 5W-25/70V transformer mounted on a BR8-2WS designer baffle.

*** SHIPPED AS A COMPLETE PAIR IN ONE CARTON**

INTENDED USE - Indoor Environment

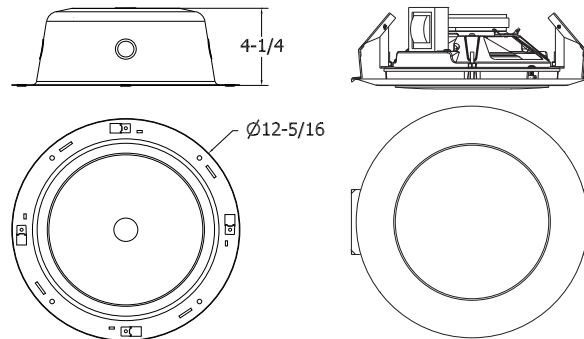
Program Material	Paging, signal tones, and background music
Installation	Downward-firing in a 24" wide, drop-tile ceiling
Ceiling Tile Installation	Use ERD8U back boxes and SSB-6 tile support bridges
Hard Ceiling Install Option	Simply install the included QMount Bracket accessory

AUDIO SPECIFICATIONS

Average Sensitivity	95 dB SPL, 1W/ 1M
Loudspeaker Power Rating	20W RMS, EIA 426A Standard
Calculated Output	102dB SPL, 5W/ 1M
Magnet Type & Weight	BeFe Ceramic, 10 oz. Nominal
Frequency Response	60Hz - 17 kHz EIA 426A Standard
Nominal Coverage Angle	90° Included Angle, -6 dB / 2 kHz, Half space
Audio Connection	7" Color Coded Leads

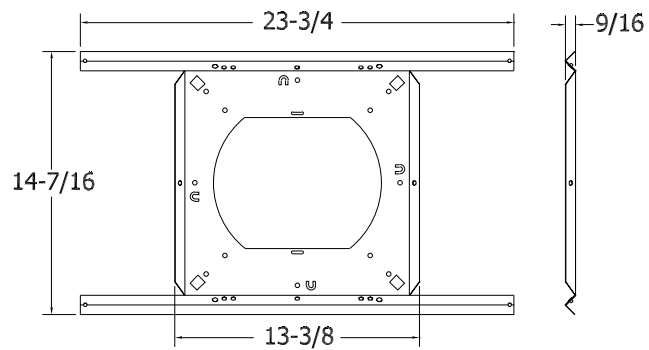
SYSTEM COMPONENTS

Loudspeaker	8C10FEPAX
Transformer	5W-25/70V : 5 tap, Color Coded Leads (5W, 2.5W, 1.25W, 0.63W, 0.31W)
Baffle	BR8-2WS
Back Box	ERD8U
Mounting Device	SSB-6
Hard Ceiling Brackets	QMount



ERD8U

Shown with
QMount Brackets installed



SSB-6

<p>Recommended construction sequences, installation instructions, and A&E Specifications are available in various formats in the QUAM Architects' and Engineers' Resources section on the web at: www.QuamSpeakers.com</p>				<p>QUAM-NICHOLS COMPANY, INC. 234 East Marquette Rd. Chicago, IL. 60637 Tel: 1-800-NEED-NOW (800-633-3669) Fax: 1-888-NEED-NOW (888-633-3669) e-mail: NeedNow@QNC.com www.QuamSpeakers.com</p>
<p>© 2013 Quam-Nichols Company reserves the right to make changes and/or improvements to its products at any time and without notice.</p>				