

VIDEO MOUNT PRODUCTS
20TH ANNIVERSARY
PRODUCT CATALOG
2014-2015



NOTHING HOLDS UP BETTER

NOTHING HOLDS UP BETTER



1994 CELEBRATING 20 YEARS 2014
VIDEO MOUNT PRODUCTS

MOUNTING SOLUTIONS FOR A/V, COMMUNICATIONS & SECURITY

1994

CELEBRATING 20 YEARS

VIDEO MOUNT PRODUCTS

2014

You have in your hand one of the great tools for selecting reliable and affordable mounting solutions for the A/V, Communication and Security industries.

It's been 20 years since we shipped our first mount from a broad selection of 6 products and we feel as fortunate now as we did then. We've met a lot of great people and we've seen plenty of changes in the industry. Many things have remained the same though, and we are proud to say that since 1994 our products have been installed with confidence in countless thousands of schools, residences, businesses, hotels, restaurants, hospitals, houses of worship, sports complexes, and security applications throughout the world.

Our product offering has matured over the years and now includes flat panel and projector mounts, equipment racks and cabinets and satellite and antenna mounts. This comprehensive line addresses growing market segments across many industries without all of the confusing redundancy. If you haven't seen one of our catalogs recently or visited us on the web, it might be time to take a new look at an old friend.

Finally, it is with an attitude of gratitude that we thank you for your continued support. Since our beginning, we've been reminding you that with VMP, "Nothing Holds Up Better" and we will always strive to prove ourselves a strong partner and a worthy supplier.

Thanks for choosing Video Mount Products!



1994

1998

2002

2004

2006

2008

2010

2012

Table of Contents



4	Flat Panel Mounts		
4	Articulating Wall Mounts		
6	Tilt Wall Mounts		
8	Flush Wall Mounts		
10	Ceiling Mounts		
12	Specialized Mounts		
13	Dual Mount Adaptors		
14	Flat Panel Mount Adaptors		
16	Digital Signage Mounts & Accessories		
18	Projector Mounts		
20	Equipment Racks, Enclosures & Accessories	32	Lockboxes & Security
20	Enclosures	34	Mounting Accessories
23	Enclosure Accessories	40	Satellite & Antenna Mounts
24	Racks	44	Turntables
27	Shelves	45	Speaker Mounts
30	Rack Accessories	46	Resources & Index

WARNING: The installer of these products must verify that the mounting surface, ceiling or wall, will safely support the combined weight of all attached equipment and hardware. Video Mount Products will not be held liable for the improper use or installation of its products.



Flat Panel Mounts Articulating Mounts



FP-LWAB *Large Flat Panel Articulating Mount*

- Holds 42" – 70" flat panels
- Maximum mounting hole pattern - 800mm x 500mm
- Low profile depth of 2.9" when collapsed and 18.2" fully extended
- Adjustable tilt – 0° to 15°
- Rotation - ±45°
- List adjustment of ±3°
- Clip based cable management system
- Load capacity -150 lbs
- Black powder coat finish



FP-XMLPAB *Extra Medium Low Profile Flat Panel Articulating Mount*

- Holds 32" – 52" flat panels
- A maximum mounting hole pattern - 600mm x 400mm
- Low profile depth of 1.5" when collapsed and 16.2" fully extended
- Adjustable Tilt – -2° to +10°
- Rotation - ±45°
- List adjustment - ±3°
- Integrated cable management and level
- Load capacity - 100 lbs
- Black powder coat finish



FP-MLPAB *Medium Low Profile Flat Panel Articulating Mount*

- Holds 27" – 42" flat panels
- Maximum mounting hole pattern – 400mm x 400mm
- Low profile depth of 1.6" when collapsed and 16.4" fully extended
- Adjustable tilt – -2° to +10°
- Rotates – ±45°
- List adjustment – ±3°
- Integrated cable management system and level
- Load capacity - 55 lbs
- Black powder coat finish

VIDEO MOUNT PRODUCTS MOUNTING SYSTEMS FOR A/V, COMMUNICATIONS & SECURITY...NOTHING HOLDS UP BETTER!

LCD-2537B *Multi-Configurable Medium Flat Panel Articulating Mount*



- Holds 25" – 32" flat panels
- Can be configured as a single arm, double arm or near flush mount with parts provided
- Accommodates flat panels with 75, 100, 200 or 100 x 200mm VESA hole patterns
- Adjustable -5° to +20° tilt
- Rotates 240° at the elbow joint (double arm configuration)
- Rotates 160° at the wall / Rotates 240° at the panel
- Feed through wall plate with decorative cover
- Clip based cable management system
- Load capacity - 50 lbs
- Black powder coat finish

LCD-2537 *Same as above except with silver finish*

LCD-1B *Multi-Configurable Small Flat Panel Articulating Mount*



- Holds 10" – 23" flat panels
- Can be configured as a single arm, double arm or near flush mount with parts provided
- Accommodates flat panels with 75 or 100mm VESA hole patterns
- Adjustable -5° to +20° tilt
- Rotates 240° at the elbow joint (double arm configuration)
- Rotates 160° at the wall / Rotates 240° at the panel
- Feed through wall plate with decorative cover
- Clip based cable management system
- Load capacity - 25 lbs
- Black powder coat finish

LCD-1 *Same as above except with silver finish*

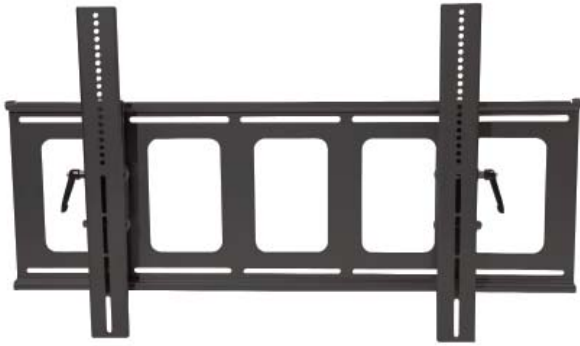
Multi-Configuration Options



NEED HELP CHOOSING THE RIGHT MOUNT FOR YOUR APPLICATION? WWW.CHOOSAMOUNT.COM



Flat Panel Mounts Tilt Mounts



PDS-LFTB *Large Flat Panel Tilt Mount*

- Holds 42" – 80" flat panels
- Maximum mounting hole pattern – 850mm x 530mm
- Adjustable -5° to +15° tilt
- Distance from wall to back of the flat panel – 2.6"
- Load capacity – 180 lbs
- Black powder coat finish

PDS-LFT *Same as above except with silver finish*



FP-LDSB *Large Flat Panel Digital Signage Mount*

- Holds 32" – 63" flat panels in portrait or landscape
- Maximum mounting hole pattern – 810mm x 530mm (810mm x 810mm with included extensions)
- Adjustable -5° to +15° tilt lockable in 5° increments
- Sectional wall plate can be integrated with multiple FP-LDSB's to create a video wall using DS-BP (For more information on DS-BP see pg.16)
- Distance from wall to back of the flat panel – 2.5" (2.6" with extensions)
- Load capacity – 180 lbs / Black powder coat finish

Perfect for menu boards



FP-XMFTB *Extra Medium Flat Panel Tilt Mount*

- Holds 32" – 52" flat panels
- Maximum mounting hole pattern – 616mm x 400mm
- Adjustable -5° to +15° tilt
- Distance from wall to back of the flat panel – 2.3"
- Load capacity – 120 lbs
- Black powder coat finish

FP-XMFT *Same as above except with silver finish*

VIDEO MOUNT PRODUCTS MOUNTING SYSTEMS FOR A/V, COMMUNICATIONS & SECURITY...NOTHING HOLDS UP BETTER!



FP-MFTB *Multi-Just™ Medium Flat Panel Tilt Mount*

- Holds 27" – 42" flat panels
- Maximum mounting hole pattern – 415mm x 345mm
- Adjustable -5° to +15° tilt
- Vertical height adjustment – 1"
- List adjustment – ±3°
- Installer friendly kickstand
- Distance from wall to back of the flat panel – 2.3"
- Load capacity – 100 lbs
- Black powder coat finish



LCD-MID-FTB *Medium Flat Panel Tilt Mount*

- Holds 27" – 42" flat panels
- Maximum mounting hole pattern – 410mm x 340mm
- Adjustable -5° to +15° tilt
- Distance from wall to back of the flat panel – 2.4"
- Accommodates multiple double gang boxes
- Load capacity – 100 lbs
- Black powder coat finish

LCD-MID-FT *Same as above except with silver finish*



FP-SFTB *Small Flat Panel Tilt Mount*

- Holds 10" – 23" flat panels
- Accommodates flat panels with 75 or 100mm VESA hole patterns
- Adjustable -5 to +15° tilt
- Distance from wall to back of the flat panel – 1.7"
- Utilizes tamper resistant hardware
- Load capacity – 25 lbs
- Black powder coat finish

FP-SFT *Same as above except with silver finish*

NEED HELP CHOOSING THE RIGHT MOUNT FOR YOUR APPLICATION? WWW.CHOOSAMOUNT.COM



Flat Panel Mounts Flush Mounts



FP-LFB *Large Flat Panel Flush Mount*

- Holds 42" – 90" flat panels
- Distance from wall to the back of the flat panel - 1.4"
- Maximum mounting hole pattern – 850mm x 500mm
- Accommodates multiple double gang boxes
- Load capacity – 180 lbs / Black powder coat finish

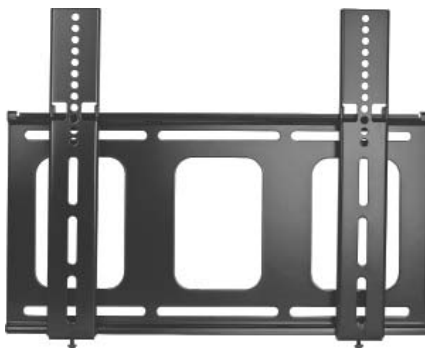
FP-LF *Same as above except with silver finish*



FP-LFVB *Large Flat Panel Flush Mount - Ultra Low Profile*

- Holds 42" – 63" flat panels
- Maximum mounting hole pattern – 890mm x 540mm
- Distance from wall to back of the flat panel – 0.85"
- Load capacity – 150 lbs / Black powder coat finish

FP-LFV *Same as above except with silver finish*



LCD-MID-FB *Medium Flat Panel Flush Mount*

- Holds 27" – 42" flat panels
- Maximum mounting hole pattern – 410mm x 340mm
- Distance from wall to back of the flat panel – 1"
- Accommodates multiple double gang boxes
- Load capacity – 125 lbs / Black powder coat finish



FP-MFB *Medium Flat Panel Flush Mount - Ultra Low Profile*

- Holds 27" – 42" flat panels
- Maximum mounting hole pattern – 440mm x 330mm
- Distance from wall to back of the flat panel – 0.7"
- Load capacity – 100 lbs / Black powder coat finish

FP-MF *Same as above except with silver finish*

VIDEO MOUNT PRODUCTS MOUNTING SYSTEMS FOR A/V, COMMUNICATIONS & SECURITY...NOTHING HOLDS UP BETTER!



FP-SFB *Small Flat Panel Flush Mount*

- Holds 10" – 30" flat panels
- Accommodates flat panels with 75, 100, 200 or 100 x 200mm VESA hole patterns
- Quick connect/disconnect design
- Distance from wall to back of the flat panel – 0.5"
- Utilizes tamper resistant screws to provide extra security
- Load capacity – 50 lbs
- Black powder coat finish



• CH-001B shown stacked w/ the CH-002B (each sold separately)



CH-001B *Wall Mount Electronic Component Shelf*

- Can be used for holding a single device or stacked for multiple components such as DVD players, CD players, DVRs and HD receivers
- Shelf dimensions – 13" W x 11" D
- Black tempered glass shelf
- Can be used in conjunction with any TV wall mount to design an entertainment center
- Load capacity – 25 lbs
- Black powder coat finish



• CH-002B shown stacked w/ the CH-001B (each sold separately)



CH-002B *Large Wall Mount Electronic Component Shelf*

- Can be used for holding a single device or stacked for multiple components such as DVD players, CD players, DVRs and HD receivers
- Shelf dimensions – 18" W x 13" D
- Black tempered glass shelf
- Can be used in conjunction with any TV wall mount to design an entertainment center
- Load capacity – 25 lbs
- Black powder coat finish

NEED HELP CHOOSING THE RIGHT MOUNT FOR YOUR APPLICATION? WWW.CHOOSEAMOUNT.COM



Flat Panel Mounts Ceiling Mounts



PDS-LCB *Large Flat Panel Ceiling Mount*

- Holds 37" - 80" flat panels
- Maximum mounting hole pattern – 860mm x 500mm
- Mast telescopes 23" – 35"
- Rotates 360° / Adjustable 0° – 15° tilt
- Cable management through the center of the mast
- Load capacity - 180 lbs
- Black powder coat finish

PDS-LC *Same as above except with silver finish*



PDS-LCHB *Large Flat Panel Ceiling Mount - Head Only*

- Holds 37" - 80" flat panels
- Maximum flat panel hole pattern - 860mm x 500mm
- Rotates 360°
- Adjustable 0° – 15° tilt
- Uses standard 1.5" NPT masting
- Load capacity - 180 lbs
- Black powder coat finish

Perfect for replacing existing monitors with flat panels using pre-existing 1.5" NPT pipe



LCD-MID-CB *Medium Flat Panel Ceiling Mount*

- Holds 27" – 42" flat panels
- Maximum mounting hole pattern – 410mm x 340mm
- Mast telescopes 23" – 35"
- Rotates 360° / Adjustable -5° to +20° tilt
- Cable management through the center of the mast
- Load capacity – 100 lbs
- Black powder coat finish

LCD-MID-C *Same as above except with silver finish*

VIDEO MOUNT PRODUCTS MOUNTING SYSTEMS FOR A/V, COMMUNICATIONS & SECURITY...NOTHING HOLDS UP BETTER!



LCD-MID-CHB *Medium Flat Panel Ceiling Mount - Head Only*

- Holds 27" – 42" flat panels
- Maximum mounting hole pattern - 410mm x 340mm
- Rotates 360° / Adjustable -5° to +20° tilt
- Uses standard 1.5" NPT masting
- Load capacity – 100 lbs
- Black powder coat finish

Perfect for replacing existing monitors with flat panels using pre-existing 1.5" NPT pipe



LCD-2537CB *Medium Flat Panel Ceiling Mount*

- Holds 25" – 37" flat panels
- Accommodates flat panels with 75, 100, 200 or 100 x 200mm VESA hole patterns
- Mast telescopes 18" – 30"
- Rotates 360° (mast) / Rotates 240° (panel)
- Adjustable -5° to +20° tilt
- Includes clip based cable management system
- Load capacity - 75 lbs / Black powder coat finish

LCD-2537C *Same as above except with silver finish*



LCD-1CB *Small Flat Panel Ceiling Mount*

- Holds 10" – 23" flat panels
- Accommodates flat panels with 75 or 100 mm VESA hole patterns
- Mast telescopes 17"– 27"
- Rotates 360° (mast) / Rotates 240° (panel)
- Adjustable -5° to +20° tilt
- Includes clip based cable management system
- Load capacity - 25 lbs / Black powder coat finish

LCD-1C *Same as above except with silver finish*

LCD-1CW *Same as above except with white finish*

NEED HELP CHOOSING THE RIGHT MOUNT FOR YOUR APPLICATION? WWW.CHOOSEAMOUNT.COM



Flat Panel Mounts Specialized Mounts



ER-LCD1017 *LCD Monitor Rack Mount*

- Holds monitors 10" – 17" / 9U racking height
- Can be inverted to hold monitors up to 23"
- Recesses monitor into rack
- Accommodates monitors with 75 or 100mm VESA hole patterns
- Includes 10-32 and 12-24 rack screws
- Load capacity - 50 lbs
- Black static resistant powder coat finish



LCD-2B *Small Flat Panel Desk Mount*

- Holds 10" – 23" flat panels
- Accommodates flat panels with 75 or 100mm VESA hole patterns
- Rotates 360° at base
- Adjustable -5° to +30° tilt
- Force arm has adjustable 0° to 60° forward tilt
- Can be attached as a clamp-on or bolt through mount with parts provided
- Load capacity - 25 lbs
- Black powder coat finish

LCD-2 *Same as above except with silver finish*



TT-LCD20B *Flat Panel Turntable*

- Platform width 20" / Platform depth 14"
- Load capacity – 75 lbs / Black finish

TT-LCD20S *Same as above except with silver finish*

VIDEO MOUNT PRODUCTS MOUNTING SYSTEMS FOR A/V, COMMUNICATIONS & SECURITY...NOTHING HOLDS UP BETTER!



◦ Shown with PDS-LCB
 (sold separately)

PDS-LCM2B *Dual Large Flat Panel Ceiling Mount Adaptor*

- Holds 37" – 80" flat panels
- Adapts PDS-LCB (sold separately) to accommodate a second flat panel
- Maximum mounting hole pattern – 860mm x 500mm
- Rotates 360°
- Adjustable 0° – 15° tilt
- Combined load capacity of PDS-LCB and PDS-LCM2B – 380 lbs
- Black powder coat finish



◦ Shown with LCD-MID-CB
 (sold separately)

LCD-MID-CM2B *Dual Medium Flat Panel Ceiling Mount Adaptor*

- Holds 27" – 42" flat panels
- Adapts LCD-MID-CB (sold separately) to accommodate a second flat panel
- Maximum mounting hole pattern – 410mm x 340mm
- Adjustable -5° to +20° tilt
- Combined load capacity of LCD-MID-CB and LCD-MID-CM2B – 200 lbs
- Black powder coat finish

LCD-MID-CM2 *Same as above except with silver finish*



◦ Shown with LCD-1CB
 (sold separately)

LCD-CM2B *Dual Small Flat Panel Ceiling Mount Adaptor*

- Holds 10" – 23" flat panels
- Adapts LCD-1CB (sold separately) to accommodate a second flat panel with 75 or 100mm VESA hole patterns
- Adjustable -5° to +20° tilt
- Rotates 240° at flat panel
- Combined load capacity of LCD-CM2B and LCD-1CB - 50 lbs
- Black powder coat finish

NEED HELP CHOOSING THE RIGHT MOUNT FOR YOUR APPLICATION? WWW.CHOOSEAMOUNT.COM



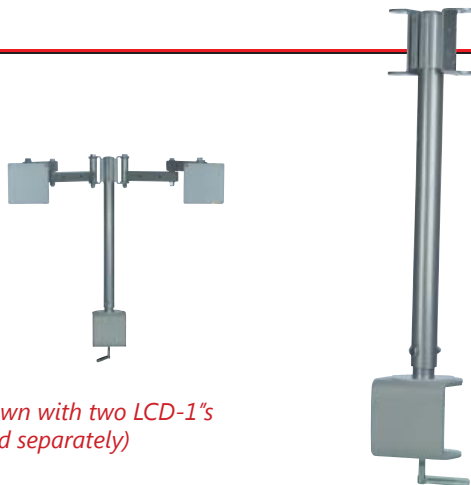
Flat Panel Mounts Dual Mount Adaptors

⊙ Shown with two LCD-1B's
(sold separately)



LCD-WM2B *Dual Small Flat Panel Wall Mount Adaptor*

- Allows attachment of two LCD-1B mounts (sold separately) to create side by side viewing
- Arm extends 11" from wall
- Load capacity - 50 lbs
- Black powder coat finish



⊙ Shown with two LCD-1's
(sold separately)

LCD-DM2 *Dual Small Flat Panel Desk Mount Adaptor*

- Allows attachment of two LCD-1 mounts (sold separately) to create side by side viewing
- Can be attached as a clamp-on or bolt through mount (with parts provided)
- Mounting pole telescopes from 18" - 24"
- Load capacity - 50 lbs
- Silver powder coat finish

Flat Panel Mount Adaptors

⊙ Versatile
in-wall box



⊙ Shown with
LCD-2537B (sold separately)

IWB-1B *In Wall Box*

- Can be used as a pre-construction or retro-fit in wall box or in conjunction with the LCD-1B or the LCD-2537B for a "No Profile" flat panel installation
- Holds 15" - 32" flat panels
- Installs between 16" centers
- Integrated cable (4) and electrical knockouts (2)
- Load capacity - 50 lbs

IWB-1 *Same as above except for use with the LCD-1 and LCD-2537*

VIDEO MOUNT PRODUCTS MOUNTING SYSTEMS FOR A/V, COMMUNICATIONS & SECURITY...NOTHING HOLDS UP BETTER!



AP-1B 400mm x 200mm VESA Adaptor Plate

- Adapts a VESA 200mm plate to accommodate a VESA 400mm x 200mm hole pattern
- Black powder coat finish

AP-1 Same as above except with silver finish



AP-2B 300mm x 300mm VESA Adaptor Plate

- Adapts a VESA 200mm plate to accommodate a VESA 300mm x 300mm hole pattern
- Black powder coat finish



AR-1B Portrait Mounting Adaptor Rails

- Adapts a wide variety of mounting rails to accept a maximum of 650mm vertical hole patterns
- Black powder coat finish



LCD-PA Pole Adaptor

- For use with LCD-1 and LCD-2537
- Adapts round or square poles to accept mount
- Stainless steel straps adjust from 4" – 10"
- Silver powder coat finish

NEED HELP CHOOSING THE RIGHT MOUNT FOR YOUR APPLICATION? WWW.CHOOSEAMOUNT.COM



FP-LDSB *Large Flat Panel Digital Signage Mount*

- Holds 32" – 63" flat panels in portrait or landscape
- Maximum mounting hole pattern – 810mm x 530mm (810mm x 810mm with included extensions)
- Adjustable -5° to +15° tilt lockable in 5° increments
- Sectional wall plate can be integrated with multiple FP-LDSB's to create a video wall using DS-BP
- Distance from wall to back of the flat panel – 2.5" (2.6" with extensions)
- Load capacity – 180 lbs / Black powder coat finish

Perfect for menu boards

DS-BP *FP-LDSB 12" Wall Plate Extension (Shown left)*



DS-CH *Digital Signage Computer or Component Holder*

- Used to securely attach a digital signage computer or other component to a wall or ceiling mount
- Attaches to mounting rails in landscape or portrait positions to better hide behind the flat panel
- Utilizes tamper resistant hardware
- Works with VMP models FP-LDSB, PDS-LCB and PDS-LFTB as well as other manufacturers' mounts
- Interior dimensions – 11" x 7" x 2.375"
- Black powder coat finish



PDS-LCB *Large Flat Panel Ceiling Mount*

- Holds 37" - 80" flat panels
- Maximum mounting hole pattern – 860mm x 500mm
- Mast telescopes 23" – 35"
- Rotates 360° / Adjustable 0° – 15° tilt
- Cable management through the center of the mast
- Load capacity - 180 lbs
- Black powder coat finish

PDS-LC *Same as above except with silver finish*

VIDEO MOUNT PRODUCTS MOUNTING SYSTEMS FOR A/V, COMMUNICATIONS & SECURITY...NOTHING HOLDS UP BETTER!



◉ Shown with PDS-LCB
 (sold separately)

PDS-LCM2B *Dual Large Flat Panel Ceiling Mount Adaptor*

- Holds 37" – 80" flat panels
- Adapts PDS-LCB (sold separately) to accommodate a second flat panel
- Maximum mounting hole pattern – 860mm x 500mm
- Rotates 360°
- Adjustable 0° – 15° tilt
- Combined load capacity of PDS-LCB and PDS-LCM2B – 380 lbs
- Black powder coat finish



LCD-MID-CB *Medium Flat Panel Ceiling Mount*

- Holds 27" – 42" flat panels
- Maximum mounting hole pattern – 410mm x 340mm
- Mast telescopes 23" – 35"
- Rotates 360° / Adjustable -5° to +20° tilt
- Cable management through the center of the mast
- Load capacity – 100 lbs
- Black powder coat finish

LCD-MID-C *Same as above except with silver finish*



◉ Shown with LCD-MID-CB
 (sold separately)

LCD-MID-CM2B *Dual Medium Flat Panel Ceiling Mount Adaptor*

- Holds 27" – 42" flat panels
- Adapts LCD-MID-CB (sold separately) to accommodate a second flat panel
- Maximum mounting hole pattern – 410mm x 340mm
- Adjustable -5° to +20° tilt
- Combined load capacity of LCD-MID-CB and LCD-MID-CM2B – 200 lbs
- Black powder coat finish

LCD-MID-CM2 *Same as above except with silver finish*

NEED HELP CHOOSING THE RIGHT MOUNT FOR YOUR APPLICATION? WWW.CHOOSEAMOUNT.COM



PM-LP *Low Profile Projector Mount With Cable Pass-Through*

- Fits projectors with mounting holes inside 14.5" dia.
- Low 2.625" profile (includes the mounting feet)
- Adjustable tilt - $\pm 20^\circ$ / Adjustable pitch - $\pm 15^\circ$
- Adjustable yaw (rotation) - $\pm 180^\circ$ (360°)
- 1.5" NPT mast telescopes 23" – 35"
- Cable management through the center of the mast
- Flush mount plate and mounting screws included
- Load capacity - 75 lbs / Silver powder coat finish

PM-LPB *Same as above except with black finish*



PM-3 *Universal Projector Mount*

- Fits projectors with mounting holes inside 14.5" dia.
- Adjustable tilt - $\pm 20^\circ$ / Adjustable pitch - $\pm 15^\circ$
- Adjustable yaw (rotation) - $\pm 180^\circ$ (360°)
- Mast telescopes 18" – 30"
- Flush mount plate and mounting screws included
- Load capacity - 75 lbs
- Silver powder coat finish

PM-3B *Same as above except with black finish*



PM-LPM *Low Profile Projector Mount*

- Fits projectors with mounting holes inside 14.5" dia.
- Low 2.625" profile (includes the mounting feet)
- Adjustable tilt - $\pm 20^\circ$ / Adjustable pitch - $\pm 15^\circ$
- Adjustable yaw (rotation) - $\pm 180^\circ$ (360°)
- Cable management through the center of the mount
- Ceiling plate and mounting screws included
- Uses standard 1.5" NPT masting
- Load capacity - 75 lbs / Silver powder coat finish

PM-LPMB *Same as above except with black finish*

VIDEO MOUNT PRODUCTS MOUNTING SYSTEMS FOR A/V, COMMUNICATIONS & SECURITY...NOTHING HOLDS UP BETTER!



PM-2 *Small Clamping Projector Mount*

- Adjustable 0° to 10° tilt / Adjustable yaw (rotation) - 360°
- Opens from 7" to 13" (left to right)
- Opens from 3" to 5.75" (top to bottom)
- Mast telescopes 18" – 30"
- Eight-point clamping mechanism adjusts from 6.5" to 10" front to back
- Flush mount plate and mounting hardware included
- Load capacity - 75 lbs
- Black powder coat finish



◉ *Projector and projector mount not included*



PMC-S *Small Projector Enclosure*

- Inner dimensions - 16"W x 16"D x 10"H
- Lift off lid for installation
- Easy access hinge for maintenance
- Utilizes tamper resistant screws (included)
- Adjustable front security bars for lens placement
- Accommodates PM-2, PM-3B and PM-LPB
- Black powder coat finish



PMC-L *Large Projector Enclosure*

- Inner dimensions - 24"W x 20"D x 13"H
- Lift off lid for installation
- Easy access hinge for maintenance
- Utilizes tamper resistant screws (included)
- Adjustable front security bars for lens placement
- Accommodates PM-3B and PM-LPB
- Black powder coat finish

NEED HELP CHOOSING THE RIGHT MOUNT FOR YOUR APPLICATION? WWW.CHOOSAMOUNT.COM



EREN-18 19" Equipment Rack Enclosure - 18U

- Welded steel construction / Ships fully assembled
- Works w/ all standard 19" rack equipment and accessories
- Preloaded with qty 3 ER-S2UV and qty 3 ER-2B
- Rails have numbered spaces w/ standard 10-32 threading
- Reversible tempered glass front door
- Double swing steel rear doors
- Adjustable front and rear rails
- Vented top and bottom
- Pre-installed cooling fans (2)
- Top and bottom cable routing knockouts
- Reversible hinged front and rear door
- Removable side panels (with optional locks)
- Casters and leveling feet
- Load capacity – 1,000 lbs
- Black powder coat finish

EREN-18E *Same as above except without the preloaded ER-S2UV's and ER-2B's*



EREN-27 19" Equipment Rack Enclosure - 27U

- Welded steel construction / Ships fully assembled
- Works with all standard 19" rack equipment and accessories
- Preloaded with qty 5 ER-S2UV and qty 5 ER-2B
- Rails have numbered spaces w/ standard 10-32 threading
- Reversible tempered glass front door
- Double swing steel rear doors
- Adjustable front and rear rails
- Vented top and bottom
- Pre-installed cooling fans (2)
- Top and bottom cable routing knockouts
- Reversible hinged front and rear door
- Removable side panels (with optional locks)
- Casters and leveling feet
- Load capacity – 1,000 lbs
- Black powder coat finish

EREN-27E *Same as above except without the preloaded ER-S2UV's and ER-2B's*

VIDEO MOUNT PRODUCTS MOUNTING SYSTEMS FOR A/V, COMMUNICATIONS & SECURITY...NOTHING HOLDS UP BETTER!



EREN-42E 19" Equipment Rack Enclosure - 42U

- Welded steel construction / Ships fully assembled
- Works with all standard 19" rack equipment and accessories
- Rails have numbered spaces w/ standard 10-32 threading
- Tempered glass front door / Double swing steel rear doors
- Adjustable front and rear rails / Casters and leveling feet
- Vented top and bottom / Pre-installed cooling fans (2)
- Reversible hinged front and rear door
- Removable side panels (with optional locks)
- Top and bottom cable routing knockouts
- Load capacity – 1,000 lbs / Black powder coat finish



ERENGD

Glass Door

ERENGD - 18
 ERENGD - 27
 ERENGD - 42



ERENPD

Perforated Vented Steel Door

ERENPD - 18
 ERENPD - 27
 ERENPD - 42



ERENDSSD

Double Swing Steel Door

ERENDSSD - 18
 ERENDSSD - 27
 ERENDSSD - 42



ERENSD

Solid Steel Door

ERENSD - 18
 ERENSD - 27
 ERENSD - 42

The **EREN Series** is VMP's new line of equipment rack enclosures. Fully assembled and welded, these units simplify on site installation. Each unit comes standard with a tempered glass front door, but you can customize yours with our door selection.

NEED HELP CHOOSING THE RIGHT MOUNT FOR YOUR APPLICATION? WWW.CHOOSEAMOUNT.COM



EREN-42E1K

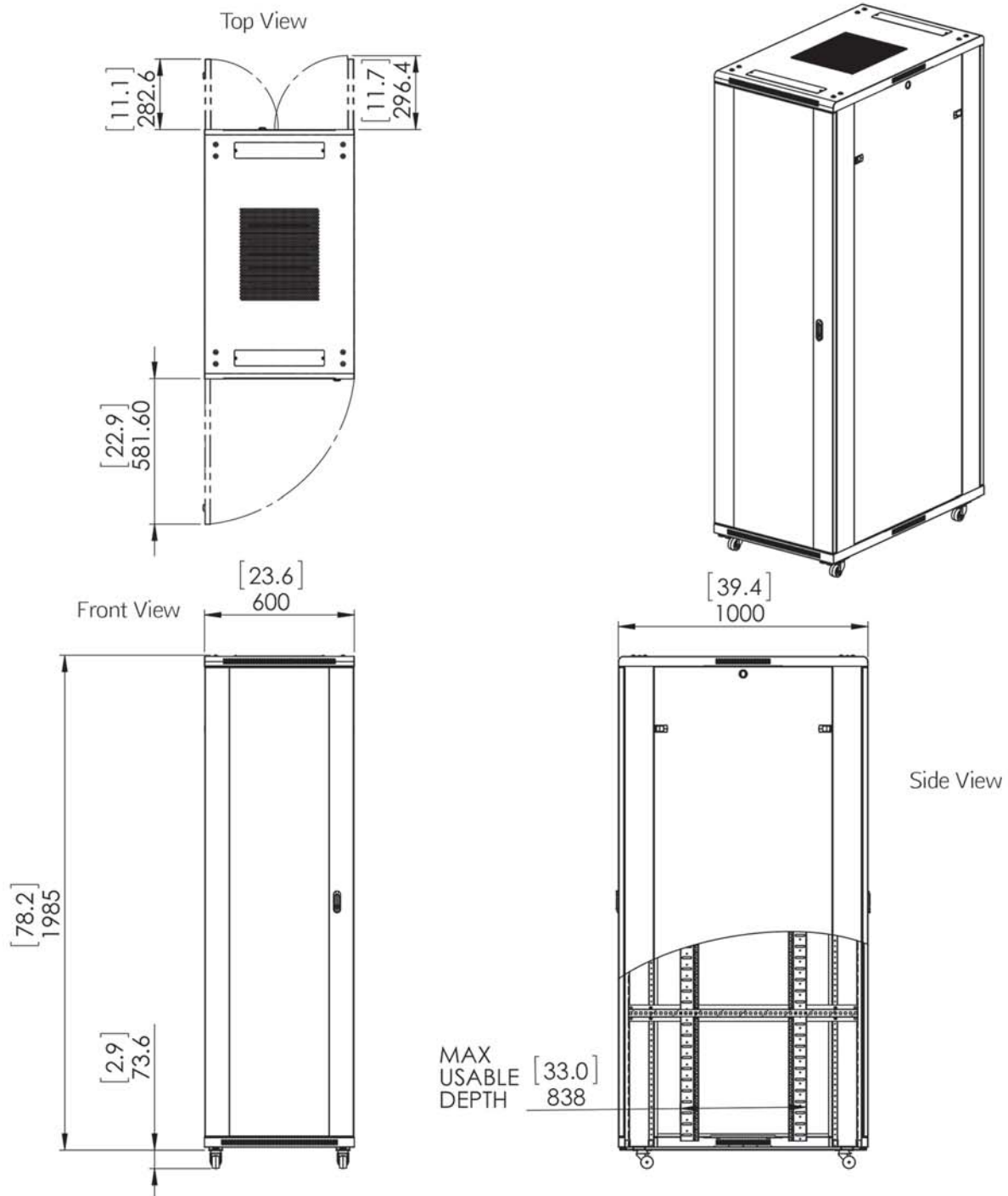
19" Equipment Rack Enclosure 42U - 1000mm Depth

- Works with all standard 19-inch rack equipment and accessories
- Usable Depth - 33"
- Rails threaded with standard 10-32 threading
- Pre-Installed 4 fan tray
- Removable Side Panels (with optional locks)
- Tempered glass front door
- Double swing steel rear doors
- Adjustable front and rear rails
- Vented top and bottom
- Welded Steel construction
- Top and bottom cable routing knockouts
- Reversible hinged front and rear door
- Casters and leveling feet
- Ships assembled
- Load Capacity - 1,300 lbs.

Accessories

- [A] Perforated Door - ERENPD-42
- [B] Steel Door - ERENSD-42
- [C] Three Fan Kit - EREN3FANKIT
- [D] Side Panel Locks - ERENSL2 (Pair)
- [E] Vertical Cable Manager - ERENVCM-42







ERWEN-9E

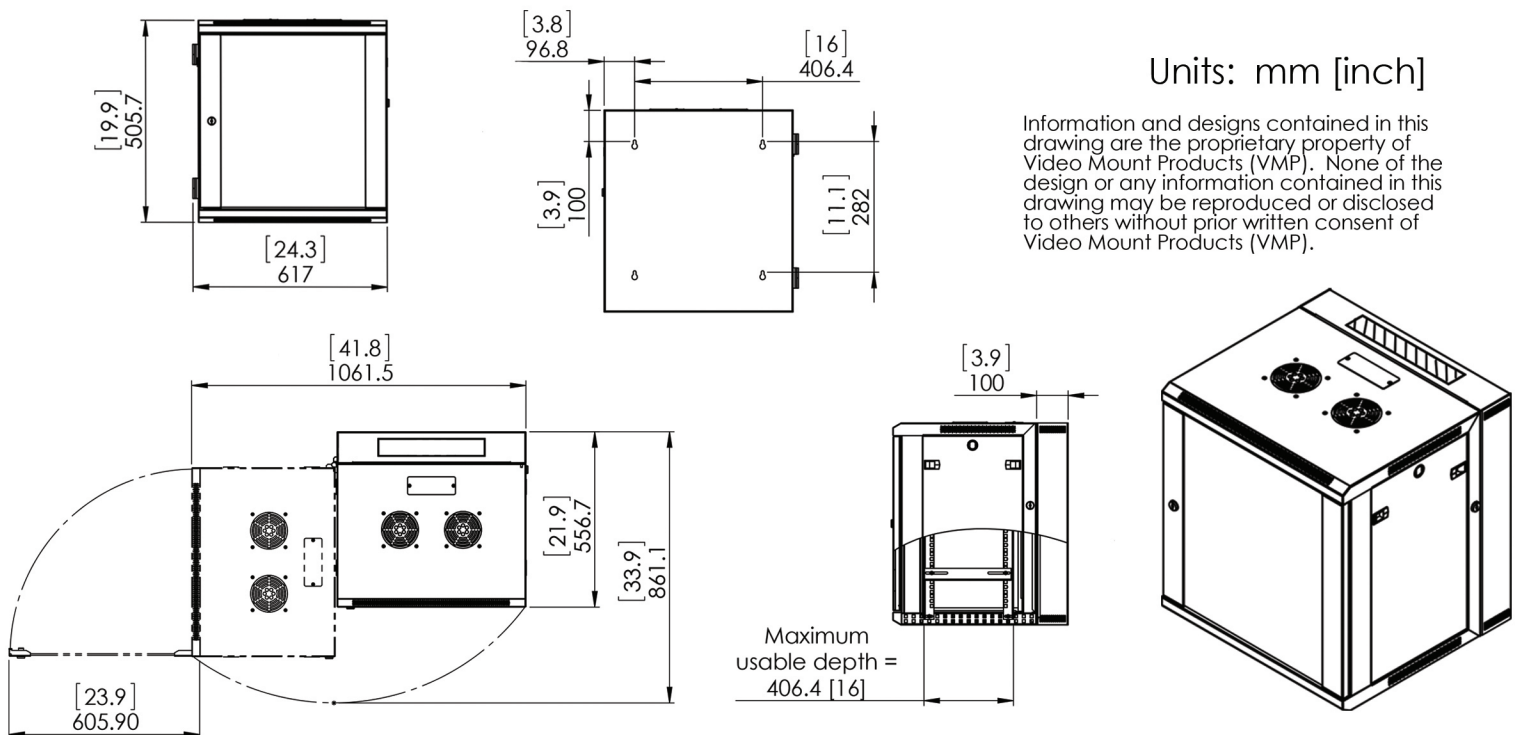
19" Equipment Hinged Wall Rack Enclosure - 9U

- Works with all standard 19" rack equipment and accessories
- Rails have numbered spaces with standard 10-32 threading
- Welded steel construction
- Ships fully assembled
- Adjustable front and rear rails
- Vented top and bottom
- Top and bottom cable routing knockouts
- Removable hinged back panel
- Reversible hinged tempered glass front door
- Removable side panels (with optional locks)
- Load capacity - 120 lbs
- Black powder coat finish

Accessories

[A] Side Panel Locks - ERENSL2 (Pair)

[B] 2 Fan Kit - ERWENZFANKIT





ERWEN-12E 19" Equipment Hinged Wall Rack Enclosure - 12U

- Welded steel construction
- Ships fully assembled
- Works with all standard 19" rack equipment and accessories
- Rails have numbered spaces w/ standard 10-32 threading
- Adjustable front and rear rails
- Vented top and bottom
- Top and bottom cable routing knockouts
- Reversible hinged tempered glass front door
- Removable hinged back panel
- Removable side panels (with optional locks)
- Load capacity – 120 lbs
- Black powder coat finish

Optional fans available



ERWEN-15E 19" Equipment Hinged Wall Rack Enclosure - 15U

- Welded steel construction
- Ships fully assembled
- Works with all standard 19" rack equipment and accessories
- Rails have numbered spaces w/ standard 10-32 threading
- Adjustable front and rear rails
- Vented top and bottom
- Top and bottom cable routing knockouts
- Reversible hinged tempered glass front door
- Removable hinged back panel
- Removable side panels (with optional locks)
- Load capacity – 120 lbs
- Black powder coat finish

Optional fans available

VIDEO MOUNT PRODUCTS MOUNTING SYSTEMS FOR A/V, COMMUNICATIONS & SECURITY...NOTHING HOLDS UP BETTER!



EREN3FANKIT *Rack Mounted 3 Fan Kit - 3U*

- Fits standard 19" EIA spacing racks
- All fans wired to a common plug
- Maximum combined airflow – 270 CFM
- Height – 3U (5.25") / Black finish



ERWEN2FANKIT *2 Fan Kit for Wall Enclosures*

- Designed for ERWEN Series
- All fans wired to a common plug
- Maximum combined airflow – 180 CFM
- Black finish

ERWENFAN *Single fan kit for wall enclosures*



ERENVCM-27 *Vertical Cable Management - 27U*

- Mounts into the EREN-27 or EREN-27E
- Flexible ABS finger ducting protects cables from damage
- Front plate is removable for easier running of cables
- Steel and ABS construction
- Black finish

ERENVCM-42 *Same as above except 42U and designed for the EREN-42E*

ERENSL *Side Panel Lock Kit*

- Works with EREN and ERWEN Series cabinets



NEED HELP CHOOSING THE RIGHT MOUNT FOR YOUR APPLICATION? WWW.CHOOSEAMOUNT.COM



ER-1 19" Headend Equipment Rack – 71" Height

- Rail height – 71"
- Racking height – 40U
- EIA compliant
- Standard 10-32 threading
- Includes 32 rack screws
- Steel construction
- Load capacity – 400 lbs evenly distributed
- Black static resistant powder coat finish



ER-184 19" Headend Equipment Rack – 84" Height

- Rail height – 84"
- Racking height – 45U
- EIA compliant
- Standard 10-32 threading
- Includes 32 rack screws
- Steel construction
- Load capacity – 400 lbs evenly distributed
- Black static resistant powder coat finish

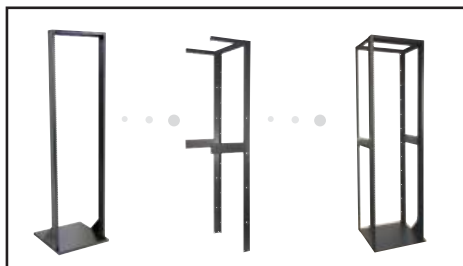


ER-148 19" Headend Equipment Rack – 48" Height

- Rail height – 48"
- Racking height – 27U / EIA compliant
- Standard 10-32 threading / Includes 32 rack screws
- Steel construction
- Load capacity – 400 lbs evenly distributed
- Black static resistant powder coat finish

VIDEO MOUNT PRODUCTS MOUNTING SYSTEMS FOR A/V, COMMUNICATIONS & SECURITY...NOTHING HOLDS UP BETTER!

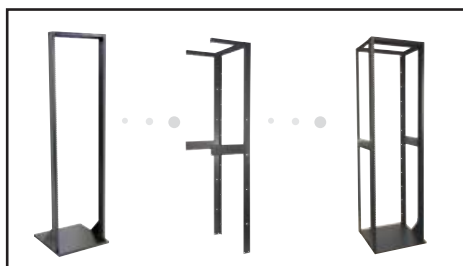
Assembly



ER-1-4PKIT *2 Post Expansion Kit For ER-1*

- Standard 10-32 threading in expansion posts
- Includes side stabilizing bars
- Steel construction
- Black static resistant powder coat finish

Assembly



ER-184-4PKIT *2 Post Stabilization Kit For ER-184*

- Provides additional weight stabilization for the ER-184
- Includes side stabilizing bars
- Steel construction
- Black static resistant powder coat finish

Assembly



ER-148-4PKIT *2 Post Expansion Kit For ER-148*

- Standard 10-32 threading in expansion posts
- Steel construction
- Black static resistant powder coat finish

NEED HELP CHOOSING THE RIGHT MOUNT FOR YOUR APPLICATION? WWW.CHOOSEAMOUNT.COM



ER-72 19" Aluminum Open Frame Rack - 72" Height

- Racking height – 38U
- EIA compliant
- Aluminum construction / Self squaring design
- Standard 10 – 32 threading
- Includes 32 rack screws
- Load capacity – 750 lbs evenly distributed
- Black powder coat finish



ER-84 19" Aluminum Open Frame Rack - 84" Height

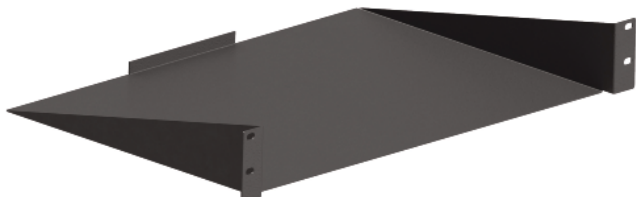
- Racking height – 45U
- EIA compliant
- Aluminum construction / Self squaring design
- Standard 10 – 32 threading
- Includes 32 rack screws
- Load capacity – 750 lbs evenly distributed
- Black powder coat finish



ER-W24 Swing Gate Wall Rack – 24" Height

- Racking height – 13U / EIA compliant
- Fixed wall plate allows easy installation and removal of populated rack / Usable depth - 19"
- Opens from either the left or the right side
- Innovative lift on/off design allows for one man install
- Standard 10-32 threading
- Steel and aluminum construction
- Load capacity – 100 lbs evenly distributed
- Black static resistant powder coat finish

VIDEO MOUNT PRODUCTS MOUNTING SYSTEMS FOR A/V, COMMUNICATIONS & SECURITY...NOTHING HOLDS UP BETTER!



ER-S1 *Economy Rack Shelf*

- Fits components up to 17" wide
- Two space racking height (2.6")
- Tray Depth - 12.5"
- Includes 10-32 and 12-24 rack screws
- Load capacity – 40 lbs
- Black powder coat finish



ER-S1V *Vented Economy Rack Shelf*

- Fits components up to 17" wide
- Two space racking height (2.6")
- Tray Depth - 12.5"
- Includes 10-32 and 12-24 rack screws
- Load capacity – 40 lbs
- Black powder coat finish



ER-S1UV *Vented 1U Rack Shelf*

- Fits components up to 17.375" wide
- 1U rack height (1.75")
- Tray depth – 14.75"
- Convenient tie down slots in rear of tray
- Includes 10-32 and 12-24 rack screws
- Load capacity – 50 lbs
- Black static resistant powder coat finish

NEED HELP CHOOSING THE RIGHT MOUNT FOR YOUR APPLICATION? WWW.CHOOSEAMOUNT.COM



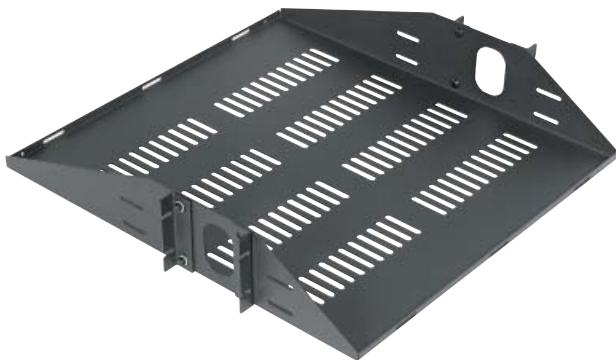
ER-S2U *2U Rack Shelf*

- Fits components up to 17.375" wide
- 2U racking height (3.5")
- Tray depth – 14.75"
- Convenient tie down slots in rear of tray
- Includes 10-32 and 12-24 rack screws
- Load capacity – 50 lbs
- Black static resistant powder coat finish



ER-S2UV *Vented 2U Rack Shelf*

- Fits components up to 17.375" wide
- 2U racking height (3.5")
- Tray depth – 14.75"
- Convenient tie down slots in rear of tray
- Includes 10-32 and 12-24 rack screws
- Load capacity – 50 lbs
- Black static resistant powder coat finish



ER-S2CM *Vented 2U Center Mount Rack Shelf*

- Fits components up to 17.375" wide
- 2U racking height (3.5")
- Tray depth – 19"
- Convenient tie down slots in front and rear of tray
- Includes 10-32 and 12-24 rack screws
- Load capacity – 50 lbs
- Black static resistant powder coat finish

VIDEO MOUNT PRODUCTS MOUNTING SYSTEMS FOR A/V, COMMUNICATIONS & SECURITY...NOTHING HOLDS UP BETTER!



Additional Parts



ER-8RSA *Adjustable Eight Receiver Rack Shelf*

- Accommodates up to eight receivers
- Adjusts left to right and front to back
- Includes front and top anti-roll bars
- Includes 10-32 and 12-24 rack screws
- Load capacity – 50 lbs
- Black powder coat finish
- US Patent #: 7,850,022

Additional Parts Include: Front and top anti-roll bars and additional receiver separators.



ER-SS1U *Rack Mounted Sliding Shelf – 1U*

- Closes flush when not in use
- Shelf “locks” into place when fully closed to prevent drifting
- Maximum extension – 13.8”
- Tray dimension – 16.3” W x 13.8” D x 1.75” H (1U)
- Optional 4 post rack mounting ears adjust - 17.5” to 20”
- Includes 10-32 and 12-24 rack screws
- Load capacity – 35 lbs
- Black static resistant powder coat finish



ER-S1U4P *Vented 1U Adjustable Four Post Rack Shelf*

- Fits components up to 16.85” wide (17.4” when shelf is flipped over)
- 1U rack height (1.75”)
- Tray depth adjustable from 14.75” to 25”
- Includes 10-32 and 12-24 rack screws
- Load capacity – 200 lbs
- Black static resistant powder coat finish

NEED HELP CHOOSING THE RIGHT MOUNT FOR YOUR APPLICATION? WWW.CHOOSEAMOUNT.COM



ER-LCD1017 *LCD Monitor Rack Mount*

- Holds monitors 10" – 17" / 9U racking height
- Can be inverted to hold monitors up to 23"
- Recesses monitor into rack
- Accommodates monitors with 75mm or 100mm VESA hole patterns
- Includes 10-32 and 12-24 rack screws
- Load capacity - 50 lbs
- Black static resistant powder coat finish

Equipment Rack Accessories



ER-HWB1 *Hinged Wall Bracket – 1U*

- Provides easy access to the back of mounted components / Right or left hand opening / 4" depth
- Includes 10-32 and 12-24 rack screws
- Black powder coat finish

ER-HWB2 *Same as above except 2U and cable pass through*



ER-DRCM1 *D-Ring Cable Manager – 1U*

- Large slotted metal rings manage all types and sizes of wire and cable / Easy to install on equipment racks
- Includes 10-32 and 12-24 rack screws
- Black powder coat finish.

ER-DRCM2 *Same as above except 2U*

ER-RS1032-50 *50 Rack Screws*

ER-RS1032-100 *100 Rack Screws*

- 0.75" long with 10 – 32 threads / Nylon washers included
- Classic Phillips trim head / Heat treated to resist stripping

VIDEO MOUNT PRODUCTS MOUNTING SYSTEMS FOR A/V, COMMUNICATIONS & SECURITY...NOTHING HOLDS UP BETTER!



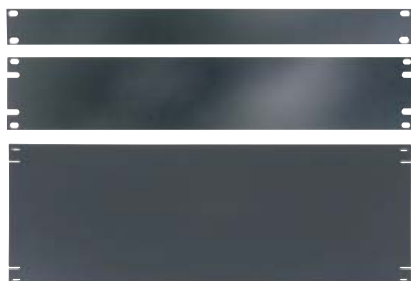
DVR-LB3 *Low Profile DVR / Storage Lockbox*

- Interior dimensions 17.2" W x 21" D x 5" H
- Rack mounted on 2 or 4 posts with a 3U (5.25") overall height / Key locked hinged front door
- Multiple vents with removable vent blockers for active or passive thermal management
- Single fan included with mounting location for second fan / Interlocking lift off lid
- Black static resistant powder coat finish



VMP-VWS *Vented Wall Shelf*

- Internal dimensions - 20.5" W x 17" D x 17" H
- Convenient quick-slide assembly
- Five cable supply locations / Wall or backboard mount
- Load capacity - 200 lbs
- Black static resistant powder coat finish



ER-1B *1U Blank Panel (1.75") (Shown Top)*

- Tempered 16 gauge steel
- Black static resistant powder coat finish

ER-2B *2U blank panel (3.5") (Shown Middle)*

ER-4B *4U blank panel (7") (Shown Bottom)*

ER-8B *8U blank panel (14") - (Not Shown)*



ER-CASTERS *Rack Casters*

- Heavy duty casters attach to the ER-1, ER-148 or ER-184
- Includes 4 casters / Hole pattern - 2.375" x 3.375"
- Hardware to attach casters to rack included
- Maximum weight capacity of rack with casters - 400 lbs

NEED HELP CHOOSING THE RIGHT MOUNT FOR YOUR APPLICATION? WWW.CHOOSEAMOUNT.COM



DVR-LB3 *Low Profile DVR / Storage Lockbox*

- Interior dimensions 17.2" W x 21" D x 5" H
- Stand alone or rack mountable on 2 or 4 posts with a 3U overall height (5.25")
- Interlocking lift off lid
- Multiple vents with removable vent blockers for active or passive thermal management
- Single fan included with mounting location for second fan
- Key locked hinged front door
- Black static resistant powder coat finish



DVR-LB1 *DVR Lockbox*

- Interior dimensions 21" W x 21" D x 8" H
- Vented and includes fan for additional thermal management
- Interlocking lift off lid
- Key locked hinged front door
- Black static resistant powder coat finish



DVR-MB1 *Mobile/Rackmount DVR Lockbox*

- Interior dimensions 17" W x 13.8" D x 3" H
- Lockbox is mountable on 4 sides for mobile applications or rack mountable with a 2U overall height (3.5")
- Mounting strips included for DVR in mobile applications
- Removable lid secured with tamper proof hardware
- Single fan included and mounting locations for up to four fans / Key locked hinged front door
- Multiple vents with removable vent blockers for active or passive thermal management
- Black static resistant powder coat finish

VIDEO MOUNT PRODUCTS MOUNTING SYSTEMS FOR A/V, COMMUNICATIONS & SECURITY...NOTHING HOLDS UP BETTER!



DVR-LB2 *DVR Lockbox With Smoked Plexiglas® Window*

- Interior dimensions 21" W x 21" D x 8" H
- Window dimensions are 18" W x 3" H
- Window will pass IR signals
- Vented and includes fan for additional thermal management / Interlocking lift off lid
- Key locked hinged front door
- Black static resistant powder coat finish



DVR-WA *DVR Lockbox Wall Mounting Arms*

- Works with the DVR-LB1 and DVR-LB2 to mount lockbox to 16" on center studs
- Load capacity – 50 lbs
- Black static resistant powder coat finish



Parts Provided



**Camera Not Included*

LCD-PV *Public View LCD Monitor Mount Kit*

Kit Includes:

LCD-2537CB *Medium Flat Panel Ceiling Mount*

- Holds 10" – 37" LCD monitors
- Modified with two mounting locations for camera bracket
- Rotates 360° / Adjustable tilt -5° to +20°
- Mast telescopes 18" – 30"
- Load capacity - 75 lbs / Black powder coat finish

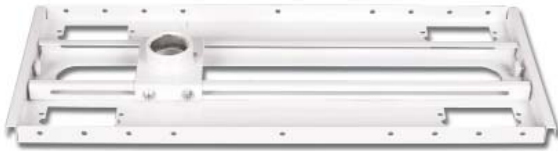
AK-1PT & CP-1PT *Adaptor Kit & Ceiling Plate*

- Used together, these units allow ceiling to mount extension drop distances of almost any length using standard 1.5" NPT pipe

Universal Camera Bracket

- Can be assembled into several different configurations
- Industry standard ¼" – 20 UNC threading

NEED HELP CHOOSING THE RIGHT MOUNT FOR YOUR APPLICATION? WWW.CHOOSEAMOUNT.COM



SCM-1 *Suspended Ceiling Adaptor*

- For use with 2' x 2' or 2' x 4' suspended ceiling grids
- Can be used with standard 1.5" NPT pipe or VMP ceiling masts / Includes 20 feet of tie wire
- Four integrated standard electrical KOs
- Load capacity - 75lbs / White powder coat finish



SCM-2 *Suspended Ceiling Replacement Tile*

- For use with 2' x 2' or 2' x 4' suspended ceiling grid
- Unit can be rotated for 9 possible mounting locations
- Can be used with standard 1.5" NPT pipe or VMP ceiling masts / Includes 30 feet of tie wire
- Four integrated standard electrical KOs
- Load capacity - 200lbs / White powder coat finish



CP-1 *Ceiling Plate For Standard 1.5" NPT Pipe*

- Universal ceiling flange works with all manufacturers' mounting systems when using standard 1.5" NPT pipe
- Provides base for ceiling installations
- Black powder coat finish

CP-2 *Same as above except for use with 1" NPT pipe*



CP-1PT *Ceiling Plate For Standard 1.5" NPT Pipe w/ Cable Pass-Through*

- Universal ceiling flange works with all manufacturers' mounting systems when using standard 1.5" NPT pipe
- Cable pass-through for easy cable management
- Provides base for ceiling installations
- Black powder coat finish

VIDEO MOUNT PRODUCTS MOUNTING SYSTEMS FOR A/V, COMMUNICATIONS & SECURITY...NOTHING HOLDS UP BETTER!



AK-1 *Adaptor Kit To Convert To 1.5" NPT Pipe*

- Adaptor kit for PM Series and LCD-2537CB to enable use with standard 1.5" NPT pipe
- Can be used as 1.5" NPT pipe coupler
- Black powder coat finish

AK-2 *Adaptor Kit for LCD-1CB to enable use with standard 1" NPT pipe*



AK-1PT *Adaptor Kit To Convert To 1.5" NPT Pipe w/ Cable Pass-Through*

- Adaptor kit for the PM Series, LCD-1CB and LCD-2537CB to enable use with standard 1.5" NPT pipe
- Cable pass-through allows cable management through center of mast



CCA-1 *Cathedral Ceiling Adaptor*

- Designed for angled ceiling installations and works with all manufacturers' mounting systems when using standard 1.5" NPT pipe
- Black powder coat finish



IBA-1 *I-Beam Adaptor*

- Adapts ceiling mounts to clamp to an I-Beam
- Works with all manufacturers' mounting systems when using 1.5" NPT pipe
- Accommodates 2.25" to 12" flange widths
- Accommodates maximum flange height of 1"
- Black powder coat finish

NEED HELP CHOOSING THE RIGHT MOUNT FOR YOUR APPLICATION? WWW.CHOOSAMOUNT.COM



UA-1 *Unistrut[®] Adaptor*

- Adapts ceiling mounts to work with Unistrut[®] up to 1.625"
- Works with all manufacturers' mounting systems when using 1.5" NPT pipe
- Black powder coat finish



TCA-1 *Truss Ceiling Adaptor*

- Works with a wide variety of truss types
- Maximum circular dimensions – 3" OD
- Maximum rectangular dimensions – 3" x 3"
- Works with 1.5" NPT pipe and all VMP ceiling masts
- Cable pass throughs for cable management
- Load capacity – 180 lbs
- Black powder coat finish

◉ *Versatile in-wall box*



◉ *Shown with LCD-2537B (sold separately)*

IWB-1B *In Wall Box*

- Can be used as a pre-construction or retro-fit in wall box or in conjunction with the LCD-1B or the LCD-2537B for a "No Profile" flat panel installation
- Holds 15" – 32" flat panels
- Installs between 16" centers
- Integrated cable (4) and electrical knockouts (2)
- Load capacity – 50 lbs

IWB-1 *Same as above except for use with the LCD-1 and LCD-2537*

VIDEO MOUNT PRODUCTS MOUNTING SYSTEMS FOR A/V, COMMUNICATIONS & SECURITY...NOTHING HOLDS UP BETTER!



EXT-A *Extension Pipe*

- Acts as an inline splice to extend drop length of LCD-2537CB and PM Series (except PM-LPB) by up to 28" (can be cut to length)
- 31" tempered steel mast
- Black powder coat finish

EXT-B *Same as above except works with LCD-1CB*



EXT-1830 *1.5" NPT Telescoping Extension – 18" to 30"*

- Works with any manufacturers' ceiling mounts which use 1.5" NPT pipe
- Works with VMP ceiling mounts that have been adapted to use 1.5" NPT pipe
- Adjustable from 18" to 30" / Black powder coat finish

EXT-4872 *Same as above except adjustable from 48" to 72"*

EXT-0609 *Same as above except adjustable from 6" to 9"*



SCFR-1 *Suspended Ceiling Finishing Ring Kit*

- Finishing ring to clamp around 1.5" NPT pipe
- Includes an adaptor for VMP ceiling masts that are not 1.5" NPT pipe
- Chrome finish

VMP-STRAP *Safety/Security Strap*

- 1" width by 10' length / Sturdy woven nylon blend construction
- Saw tooth cinching buckle / Black

NEED HELP CHOOSING THE RIGHT MOUNT FOR YOUR APPLICATION? WWW.CHOOSEAMOUNT.COM



Mounting Accessories



⦿ 3 VH-003's shown stacked (each sold separately)

VH-003 *Wall Mount Electronic Component Holder*

- Can be used for holding a single device or stacked for multiple components such as DVD players, CD players, DVRs, and HD receivers
- Mounting ring extends 12" from the wall
- Can be used in conjunction with any TV wall mount to design an entertainment center
- Load capacity – 25 lbs
- Black powder coat finish

VH-003S *Same as above except silver finish*



⦿ Pipe not included

VH-005B *Pipe/Ceiling Mast Electronic Component Holder*

- Works with all manufacturers' ceiling mounts using masting from 1" to 2" O.D.
- Accommodates DVD players, CD players, DVR's, HD receivers, and other electronic components
- Includes decorative plastic covers (not shown)
- Mounting "U" tray extends 13" from the pipe
- Load capacity – 25 lbs
- Black powder coat finish

VH-005 *Same as above except silver finish*



⦿ CH-001B shown stacked w/ the CH-002B (each sold separately)



CH-001B *Wall Mount Electronic Component Shelf*

- Can be used for holding a single device or stacked for multiple components such as DVD players, CD players, DVRs and HD receivers or used in conjunction with any TV wall mount to design an entertainment center
- Shelf dimensions – 13" W x 11" D
- Black tempered glass shelf
- Load capacity – 25 lbs / Black powder coat finish

CH-002B *Same as above except 18"W x 13"D*

VIDEO MOUNT PRODUCTS MOUNTING SYSTEMS FOR A/V, COMMUNICATIONS & SECURITY...NOTHING HOLDS UP BETTER!



AP-1B 400mm x 200mm VESA Adaptor Plate

- Adapts a VESA 200mm plate to accommodate a VESA 400mm x 200mm hole pattern
- Black powder coat finish

AP-1 Same as above except with silver finish



AP-2B 300mm x 300mm VESA Adaptor Plate

- Adapts a VESA 200mm plate to accommodate a VESA 300mm x 300mm hole pattern
- Black powder coat finish



AR-1B Portrait Mounting Adaptor Rails

- Adapts a wide variety of mounting rails to accept a maximum of 650mm vertical hole pattern
- Black powder coat finish



LCD-PA Pole Adaptor

- For use with LCD-1 and LCD-2537
- Adapts round or square poles to accept mount
- Stainless steel straps adjust from 4" – 10"
- Silver powder coat finish

NEED HELP CHOOSING THE RIGHT MOUNT FOR YOUR APPLICATION? WWW.CHOOSAMOUNT.COM



Satellite & Antenna Mounts & Accessories



FRM Series *Non-Penetrating Roof Mounts*

- For use with DBS, off-air antenna, satellite internet systems, and point to point CCTV signal transmission
- Galvannealed steel construction
- Holds up to eight 8" x 8" x 16" standard concrete blocks to anchor
- Dark gray weather resistant powder coat finish

FRM-125 60" mast with 1.25" O.D.

FRM-166 30" mast with 1.66" O.D.

FRM-200 30" mast with 2" O.D.

FRM-MAT Rubber Mat (Placed under mount)

FRMA 2" to 2.375" Adaptor for FRM-200

◉ *Satellite dish and J pipe not included*



PRM-2 *Non-Penetrating Pitched Roof Mount*

- Accommodates 18" and 24" DBS/DSS dishes
- Galvannealed steel construction
- Adjustable dish mounting plate
- Holds up to eleven 8" x 8" x 16" standard concrete blocks to anchor or comes with pitch pad kit
- Dark gray weather resistant powder coat finish



TR Series *Heavy Duty Tripods*

- Tripods hold masts up to 1.75" OD
- Includes a pitch pad kit, a universal mast clamp and has installer friendly front facing feet

TR-36 36" heavy duty tripod

TR-60 60" heavy duty tripod

VIDEO MOUNT PRODUCTS MOUNTING SYSTEMS FOR A/V, COMMUNICATIONS & SECURITY...NOTHING HOLDS UP BETTER!



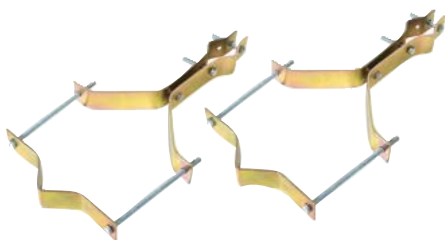
WB-6 6" Wall Mount

- U bolt mast holder with 6" clearance
- Accommodates 1.25" to 1.66" antenna or DBS pipe
- Sold in pairs



BR-4XD Heavy Duty 4" Wall Mount

- Accommodates 1" to 2.25" antenna or DBS pipe
- 3" clearance
- Sold in pairs



P-6 Vent Pipe Mount

- Mounting attachment for vent pipes 2.75" to 5" O.D.
- Accommodates 1" to 2" antenna or DBS pipe
- Sold in pairs



Y-MOUNT "Y" Type Chimney Mount

- Accommodates 1.25" to 1.66" antenna or DBS pipe
- Includes 0.75" by 18' anodized steel straps
- Sold in pairs



Z-MOUNT "Z" Type Chimney Mount

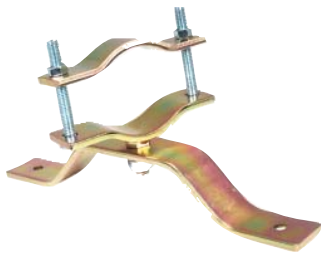
- Accommodates 1.25" to 1.66" antenna or DBS pipe
- Includes 0.75" by 18' anodized steel straps
- Sold in pairs

NEED HELP CHOOSING THE RIGHT MOUNT FOR YOUR APPLICATION? WWW.CHOOSEAMOUNT.COM



GEM-4060 *Adjustable Gable End Antenna Mount*

- Mounting bracket adjusts from 40" to 60" (left to right)
- Holds up to a 1.5" antenna mast



GU-3 *Swivel Bracket*

- Wall bracket mounts antenna or DBS pipe 3" off wall
- Accommodates 1.25" to 3" antenna or DBS pipe



SM-1 *DBS Siding Mount*

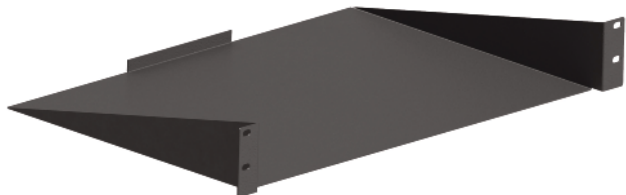
- Accommodates the mounting of a DBS dish on house siding and creates a flat mounting platform for the DBS foot plate by nesting against the siding
- Constructed of heavy duty "DBS gray" plastic



ER-1 *19" Headend Equipment Rack – 71" Height*

- Rail height – 71"
- Racking height – 40U
- EIA compliant
- Standard 10-32 threading
- Includes 32 rack screws
- Steel construction
- Load capacity – 400 lbs evenly distributed
- Black static resistant powder coat finish

VIDEO MOUNT PRODUCTS MOUNTING SYSTEMS FOR A/V, COMMUNICATIONS & SECURITY...NOTHING HOLDS UP BETTER!



ER-S1 *Economy Rack Shelf*

- Fits components up to 17" wide
- Two space racking height (2.6")
- Tray Depth - 12.5"
- Includes 10-32 and 12-24 rack screws
- Load capacity – 40 lbs / Black powder coat finish



ER-S1V *Vented Economy Rack Shelf*

- Fits components up to 17" wide
- Two space racking height (2.6") / Tray Depth - 12.5"
- Includes 10-32 and 12-24 rack screws
- Load capacity – 40 lbs / Black powder coat finish



Additional Parts



ER-8RSA *Adjustable Eight Receiver Rack Shelf*

- Accommodates up to eight receivers
- Adjusts left to right and front to back
- Includes front and top anti-roll bars
- Includes 10-32 and 12-24 rack screws
- Load capacity – 50 lbs / Black powder coat finish
- US Patent #: 7,850,022

Additional Parts Include: Front and top anti-roll bars and additional receiver separators.



ER-SS1U *Rack Mounted Sliding Shelf – 1U*

- Closes flush when not in use / Max. extension – 13.8"
- Shelf "locks" into place when fully closed to prevent drifting
- Tray dimension – 16.3" W x 13.8" D x 1.75" H (1U)
- Optional 4 post rack mounting ears adjust - 17.5" to 20"
- Includes 10-32 and 12-24 rack screws
- Load capacity – 35 lbs
- Black static resistant powder coat finish

NEED HELP CHOOSING THE RIGHT MOUNT FOR YOUR APPLICATION? WWW.CHOOSAMOUNT.COM



TT-Series *Television/Flat Panel Turntable Series*

TT-13 *Small Television/Flat Panel Turntable*

- Platform width 15"
- Depth 12"
- Load capacity – 60 lbs

TT-20 *Medium Television/Flat Panel Turntable*

- Platform width 20"
- Depth 15"
- Load capacity – 75 lbs

TT-27 *Large Television/Flat Panel Turntable*

- Platform width 26"
- Depth 16"
- Load capacity – 125 lbs

TT-32 *Mega Television/Flat Panel Turntable*

- Platform width 32"
- Depth 18"
- Load capacity – 200 lbs



TT-LCD20B *Flat Panel Turntable*

- Platform width 20"
- Depth 14"
- Load capacity – 75 lbs
- Black finish

TT-LCD20S *Same as above except with silver finish*

VIDEO MOUNT PRODUCTS MOUNTING SYSTEMS FOR A/V, COMMUNICATIONS & SECURITY...NOTHING HOLDS UP BETTER!



SP-200W *Multi-Configurable Speaker Mount*

- Virtually limitless number of configurations for the wall or ceiling and full range of tilt, twist and swivel
- Mounts on back of speaker
- Load capacity - 12 lbs
- High impact plastic / White finish / Sold in pairs

SP-200B *Same as above except with black finish*



SP-001 *Speaker Wall/Ceiling Mount*

- Swivels 180° / Twists 180°
- Load capacity – 10 lbs
- Black powder coat finish / Sold in pairs



SP-007 *Speaker Wall Mount*

- Swivels 180° / Plate size 6" x 6"
- Load capacity – 12 lbs
- Black powder coat finish / Sold in pairs



SP-010 *Adjustable Speaker Wall Mount*

- Adjusts to fit 7" to 12" depth speakers
- Swivels 135° / Adjustable tilt 0° to 20°
- Load capacity – 20 lbs
- Black powder coat finish / Sold in pairs

NEED HELP CHOOSING THE RIGHT MOUNT FOR YOUR APPLICATION? WWW.CHOOSEAMOUNT.COM



Resources



Subscribe to our **Monthly Newsletter...** It's EASY! Scan the QR code or visit us online to learn about the latest in mounting technology and more about what's going on at VMP!



Our staff is your number one resource.

Call our toll free line and speak directly to one of our team members with no prompts! **877.281.2169**



On the go?

Download the VideoMount Finder™ app for your iPhone, Android or Blackberry at: www.videomount.com



Need help choosing the right mount for your application?

Check out this innovative tool at: www.chooseamount.com

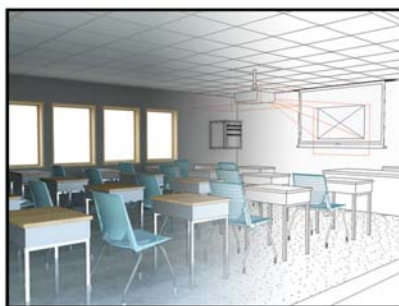


Find us on Facebook!

Find us on Facebook, and stay up to date with new products, what shows you can visit us at, and much more.



Video Mount Products is an active member of INFOCOMM iQ. Join VMP at: <http://catalogs.infocommiq.com>



BIM

(Building Information Modeling)

VMP offers one of the fastest growing modeling toolsets for project designers, builders and integrators. Find all of the VMP BIM models at:

seek.autodesk.com

VIDEO MOUNT PRODUCTS MOUNTING SYSTEMS FOR A/V, COMMUNICATIONS & SECURITY...NOTHING HOLDS UP BETTER!

A	E cont'd	F cont'd	P cont'd
AK-1 35	ERENDSSD-27 21	FP-XMFT 6	PM-2 19
AK-1PT 35	ERENDSSD-42 21	FP-XMFTB 6	PM-3 18
AK-2 35	ERENGD-18 21	FP-XMLPAB 4	PM-3B 18
AP-1 15, 39	ERENGD-27 21	FRMA 40	PMC-L 19
AP-1B 15, 39	ERENGD-42 21	FRM-MAT 40	PMC-S 19
AP-2B 15, 39	ERENPD-18 21	FRM-125 40	PM-LP 18
AR-1B 15, 39	ERENPD-27 21	FRM-166 40	PM-LPB 18
	ERENPD-42 21	FRM-200 40	PM-LPM 18
B	ERENSD-18 21		PM-LPMB 18
BR-4XD 41	ERENSD-27 21	G	PRM-2 40
	ERENSD-42 21	GEM-4060 42	
C	ERENSL 23	GU-3 42	
CCA-1 35	ERENVCM-27 23		S
CH-001B 9, 38	ERENVCM-42 23	I	SCFR-1 37
CH-002B 9, 38	ER-HWB1 30	IBA-1 35	SCM-1 34
CP-1 34	ER-HWB2 30	IWB-1 14, 36	SCM-2 34
CP-1PT 34	ER-LCD1017 12, 30	IWB-1B 14, 36	SM-1 42
CP-2 34	ER-RS1032-50 30		SP-001 45
	ER-RS1032-100 30	L	SP-007 45
D	ER-S1 27, 43	LCD-1 5	SP-010 45
DS-BP 16	ER-S1U4P 29	LCD-1B 5	SP-200W 45
DS-CH 16	ER-S1UV 27	LCD-1C 11	SP-200B 45
DVR-LB1 32	ER-S1V 27, 43	LCD-1CB 11	
DVR-LB2 33	ER-S2CM 28	LCD-1CW 11	T
DVR-LB3 31, 32	ER-S2U 28	LCD-2 12	TCA-1 36
DVR-MB1 32	ER-S2UV 28	LCD-2B 12	TR-36 40
DVR-WA 33	ER-SS1U 29, 43	LCD-2537 5	TR-60 40
	ER-W24 26	LCD-2537B 5	TT-13 44
E	ERWEN-12E 22	LCD-2537C 11	TT-20 44
ER-1 24, 42	ERWEN-15E 22	LCD-2537CB 11	TT-27 44
ER-1-4PKIT 25	ERWEN2FANKIT 23	LCD-CM2B 13	TT-32 44
ER-148 24	ERWENFAN 23	LCD-DM2 14	TT-LCD20B 12, 44
ER-148-4PKIT 25	EXT-0609 37	LCD-MID-C 10, 17	TT-LCD20S 12, 44
ER-184 24	EXT-1830 37	LCD-MID-CB 10, 17	
ER-184-4PKIT 25	EXT-4872 37	LCD-MID-CHB 11	U
ER-1B 31	EXT-A 37	LCD-MID-CM2 13, 17	UA-1 36
ER-2B 31	EXT-B 37	LCD-MID-CM2B 13, 17	
ER-4B 31		LCD-MID-FB 8	V
ER-8B 31	F	LCD-MID-FT 7	VH-003 38
ER-72 26	FP-LDSB 6, 16	LCD-MID-FTB 7	VH-003S 38
ER-84 26	FP-LF 8	LCD-PA 15, 39	VH-005 38
ER-8RSA 29, 43	FP-LFB 8	LCD-PV 33	VH-005B 38
ER-CASTERS 31	FP-LFV 8	LCD-WM2B 14	VMP-STRAP 37
ER-DRCM1 30	FP-LFVB 8		VMP-VWS 31
ER-DRCM2 30	FP-LWAB 4	P	
EREN-18 20	FP-MF 8	P-6 41	W, Y, Z
EREN-18E 20	FP-MFB 8	PDS-LC 10, 16	WB-6 41
EREN-27 20	FP-MFTB 7	PDS-LCB 10, 16	Y-MOUNT 41
EREN-27E 20	FP-MLPAB 4	PDS-LCHB 10	Z-MOUNT 41
EREN-42E 21	FP-SFB 9	PDS-LCM2B 13, 17	
EREN3FANKIT 23	FP-SFT 7	PDS-LFT 6	
ERENDSSD-18 21	FP-SFTB 7	PDS-LFTB 6	

NEED HELP CHOOSING THE RIGHT MOUNT FOR YOUR APPLICATION? WWW.CHOOSAMOUNT.COM

VIDEO MOUNT PRODUCTS 20TH ANNIVERSARY PRODUCT CATALOG



NOTHING HOLDS UP BETTER

NOTHING HOLDS UP BETTER



VMP²⁰

1994 **CELEBRATING 20 YEARS** 2014
VIDEO MOUNT PRODUCTS

345 LOG CANOE CIRCLE STEVENSVILLE, MD 21666
TOLL FREE 877.281.2169 TELEPHONE 410.643.6390 FACSIMILE 410.643.6615
WWW.VIDEOMOUNT.COM | WWW.CHOOSEAMOUNT.COM

