

Level Unit

Kit Number None


Procedure

This procedure will level the unit by evenly adjusting the weight on the rear feet. Leveling the unit will eliminate rocking during use.

Tools Required:

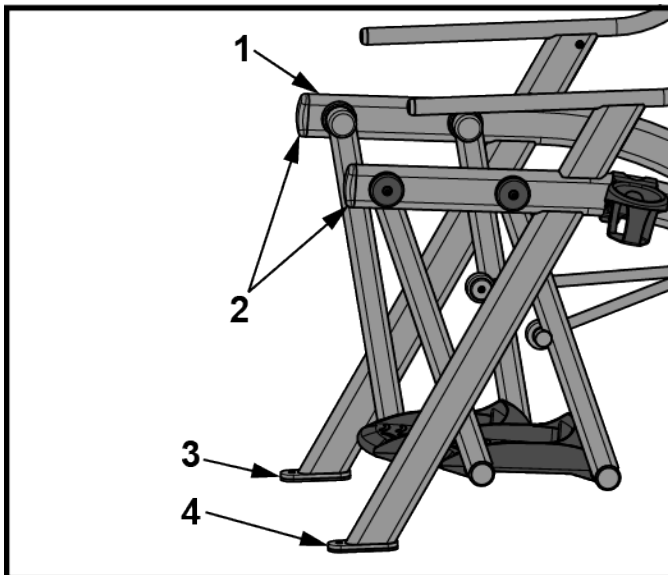
- 1/2" Open end wrench
- 9/16" Open end wrench

Level unit

1.  **Note:** References to left and right are from the users perspective during use.

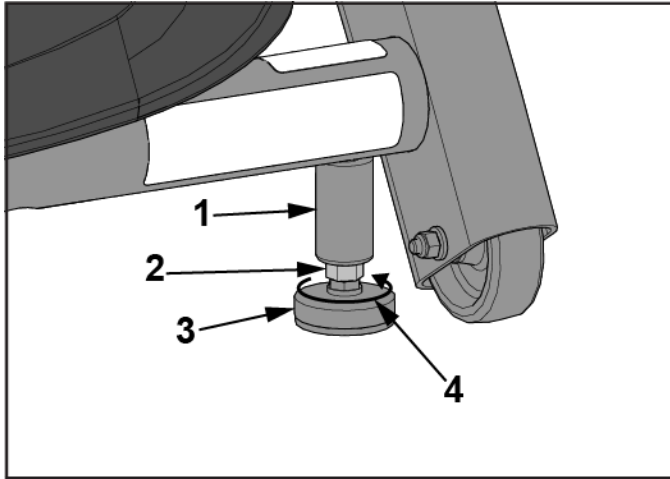
Verify foot plates are completely stopped.

2. Grasp one side of the frame and slowly lift the rear foot off the floor. Lower rear foot to the floor.



	Description	Qty.
1	Frame	2
2	Lift here	2
3	Left rear foot	1
4	Right rear foot	1

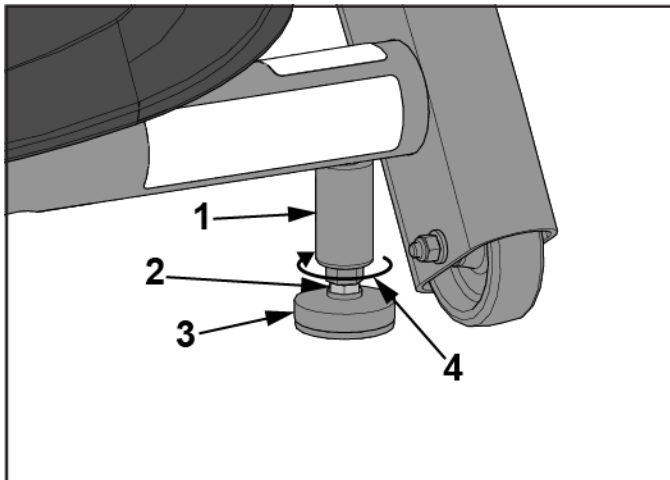
3. Grasp the other side of the frame and slowly lift the rear foot off the floor. Lower rear foot to the floor. Make note of either rear foot lifting off the floor easier than the other. If both rear feet lift off the floor evenly, secure both leveling foot jam nuts against the frame post using a 9/16" open-end wrench. Unit is leveled.



	Description	Qty.
1	Frame post	1
2	Jam nut	1
3	Leveling foot	1
4	Turn counter-clockwise to secure	1

Left leveling foot shown

4. Adjust the weight of the rear feet using a 1/2" open-end wrench.
- If the **left** rear foot lifts up easier, Adjust the **right** leveling foot nut down.
 - If the **right** rear foot lifts up easier, Adjust the **left** leveling foot nut down.



	Description	Qty.
1	Frame post	1
2	Leveling foot nut	1
3	Leveling foot	1
4	Turn clockwise to adjust leveling foot down	1

Left leveling foot shown

5. Test the unit again for uneven weight on the rear feet. Adjust leveling foot nuts until each rear foot lifts with even force.
6. Secure both jam nuts using a 9/16" open-end wrench. Unit is leveled.

View Owner's Manual Online

To view the SPArc Owner's manual online [click here](#).

Cybox® and the Cybox logo are registered trademarks of Cybox International, Inc.

10 Trotter Drive, Medway, MA 02053 • 508-533-4300 • FAX 508-533-5183

© Copyright 2015, Cybox International, Inc. • www.cyboxintl.com • Revision A • September 2015

