

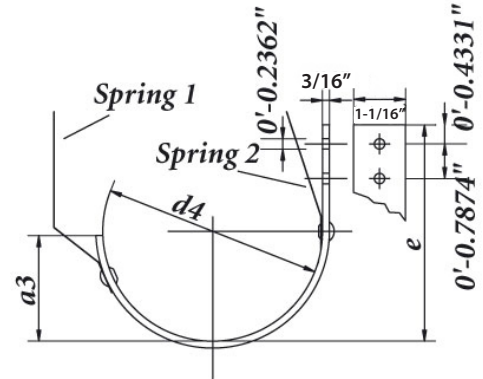
# WORLD GUTTER SYSTEMS™ INC.

Superior Gutters Made Simple

Tel: (814) 455-7430 | Fax (814) 464-8838 | Email: sales@slateandcopper.com | Web: www.slateandcopper.com



## \*"Modern Profile" Heavy Duty Copper Gutter Hanger



size	material thickness	material width	d4	a3	e
6"	0.197"	1-1/8"	6.02"	2.3125"	5.00"

\*Fits shallower "modern profile" half round and reverse bead half round gutter.

\*Will not fit European profile half round.

### Heavy Duty Copper Gutter Hanger

Size	Part #
5 INCH	N/A
6 INCH	AM6HF
7.6 INCH	N/A

Date	Invoice#	Project	Company	Architect