

# Swagelok® Sanitary Bleed Cap Assemblies

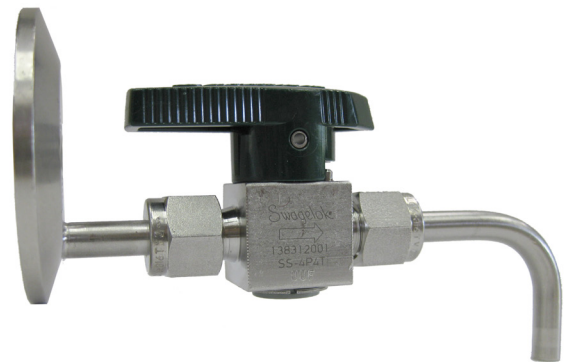
## Sanitary Drainable Caps Simplify, Speed and Improve Safety During Liquid Transfer in Sanitary Applications

Bleed Cap Assemblies can be used in place of solid end caps on Transfer Panels. They can also be used in other applications where capped-off lines may contain liquid. The built-in plug valve provides a convenient way to verify if a line contains liquid before the end cap is removed. The plug valve also facilitates draining the line prior to end cap removal reducing the risk of exposure to system fluids during liquid transfer panel operations.

Bleed caps with either a concentric or eccentric bleed valve orientation are available. Concentric Bleed Cap Assemblies are ideal for use on vertical lines. Eccentric Bleed Cap Assemblies, when installed in the proper orientation, facilitate the draining of horizontal lines.



**Concentric Bleed Cap**



**Eccentric Bleed Cap**

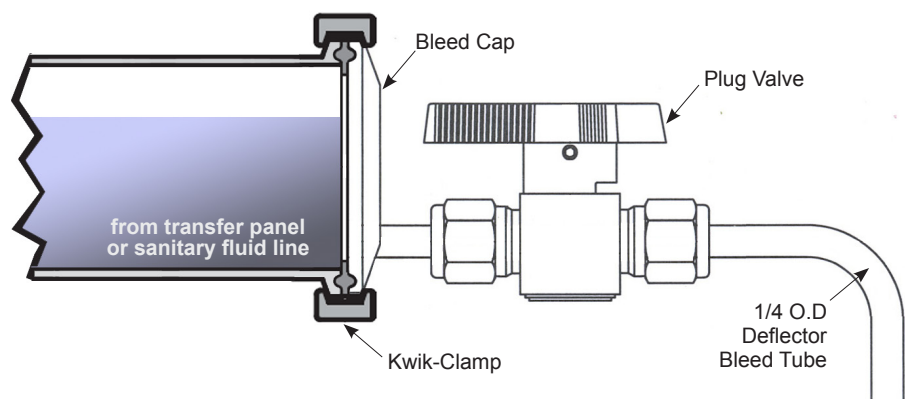
### Standard Features

- Swagelok® Kwik-Clamp sanitary caps (ISO 2852 compatible) and genuine Swagelok tube fittings
- Sanitary cap sizes from 1-1/2 to 3 inch
- 316 stainless steel construction
- Swagelok plug valve provides shut-off and bleed capabilities
- Plug valve seal material - Fluorocarbon FKM

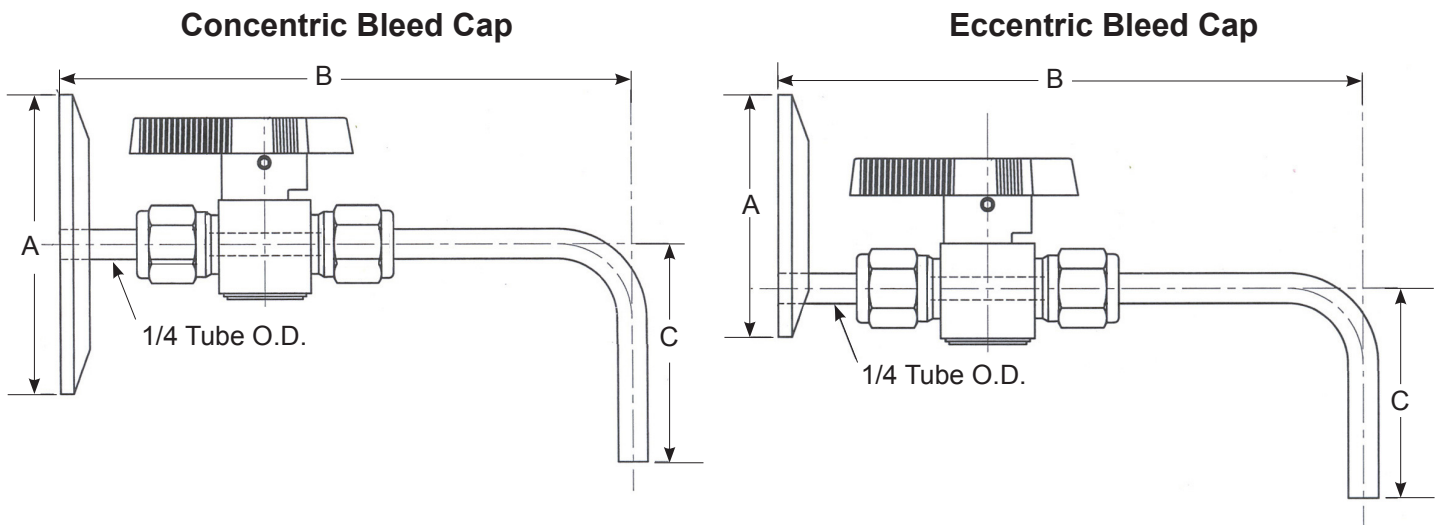
### Options

- Electropolished Kwik-Clamp caps
- John Perry sanitary flange ends
- Colored handles or stainless steel bar handle on plug valve
- High flow plug valve
- Other plug valve seal materials available

### Typical Installation



## Ordering Information and Dimensions <sup>1</sup>



### Concentric Bleed Cap

Part Number	Kwik-Clamp Size	A	B	C
CS-CBC671514	1-1/2	1.98	4.845 Typical <sup>2</sup>	2.625 Typical <sup>2</sup>
CS-CBC672014	2	2.52		
CS-CBC672514	2-1/2	3.05		
CS-CBC673014	3	3.58		

### Eccentric Bleed Cap

Part Number	Kwik-Clamp Size	A	B	C
CS-EBC671514	1-1/2	1.98	4.845 Typical <sup>2</sup>	2.625 Typical <sup>2</sup>
CS-EBC672014	2	2.52		
CS-EBC672514	2-1/2	3.05		
CS-EBC673014	3	3.58		

- NOTES: 1. All dimensions are in inches for reference only and subject to change.  
 2. Typical dimensions are for reference only and can be adjusted to satisfy specific requirements.

## Swagelok Plug Valves

For complete information on Swagelok Plug Valves refer to catalog number MS-01-59

**SWAGELOK NORTHERN CALIFORNIA**  
 3393 West Warren Avenue  
 Fremont, California 94538  
 phone: 510-933-2500 fax: 510-933-2525  
 NorthernCal.Swagelok.com/

Swagelok - TM Swagelok Company  
 © 2017 Swagelok Northern California