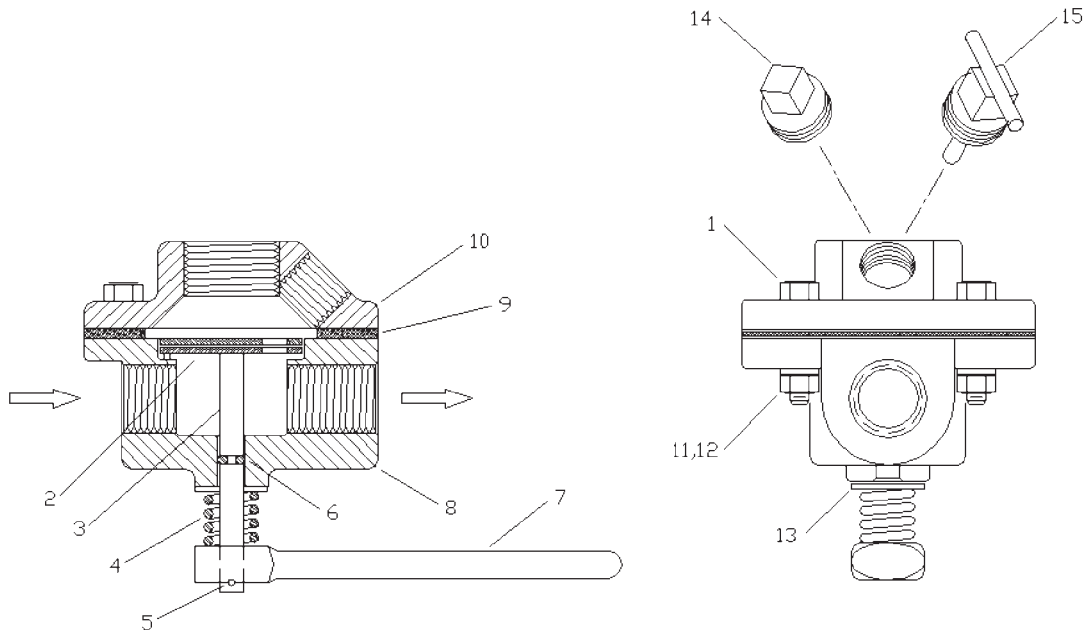


**Parts List**



Old #	New #	Description	Old #	New #	Description
- 260-000	620-100-05	M-15 Valve Complete	- 260-095	360-030-09	M-15 Repair Kit
260-060	620-100-13	M-15 Valve with Magnetic Separator	<i>Repair Kit Includes:</i>		
1	260-012	226-062-47 Bolt, Hexhead 5/16-24 x 1 1/2 (4 Req'd)	260-002	620-150-51	Lower Disc with Pin
2	260-002	620-150-51 Lower Disc with Pin	260-003	620-150-57	Stem & Upper Disc
3	260-003	620-150-57 Stem & Upper Disc	260-004	545-030-02	Spring
4	260-004	545-030-02 Spring	260-006	470-030-01	O Ring, -010 Buna N
5	260-005	490-030-08 Roll Pin, 1/8 x 1	260-009	261-030-06	Gasket
6	260-006	470-030-01 O Ring, -010 Buna N			
7	260-007	620-151-19 Control Lever			
8	260-008	620-150-07 Body, Valve Housing			
9	260-009	261-030-06 Gasket			
10	260-010	620-150-90 Valve Top			
11	260-013	226-100-31 Nut, Hex 5/16-24 (4 Req'd)			
12	254-018	226-124-02 Lock Washer, 5/16 (4 Req'd)			
13	260-015	226-120-07 Flat Washer, 3/8			
14	254-018	230-140-97 Plug, 1/2" NPT (620-100-05 Only)			
15	260-061	425-020-02 Magnetic Separator (620-100-13 Only)			

**WARNING**

- READ ALL WARNINGS PRIOR TO EVERY USE.
- NEVER USE ANY PAULI SYSTEMS SUPPLIED PARTS OR EQUIPMENT WITH SAND ABRASIVE.
- INSPECT ALL EQUIPMENT PRIOR TO USAGE.
- NEVER USE DAMAGED OR IMPROPERLY FUNCTIONING EQUIPMENT. DOING SO MAY BE HAZARDOUS TO YOUR SAFETY AND THE SAFETY OF THOSE AROUND YOU.