

Model SRH

Relative Humidity Transmitters



DESCRIPTION

The Model SRH Humidity Series include wall mount, duct mount and outside air configurations in 2%, 3%, and 5% RH accuracy. The SRH Series offers optional active temperature with choice of 4 to 20 mA or user-selectable 0 to 5 and 0 to 10 VDC output, and passive temperature with choice of thermistor or RDT output. Humidity transmitters configured with active temperature option feature jumper selectable Tspan ranges of 40°C, 50°C, and 60°C. All models feature a removable sensor tip, NIST traceability, and a durable capacitive sensor capable of full scale 0 to 100% RH measurement. All model can withstand 100% saturation without losing performance.

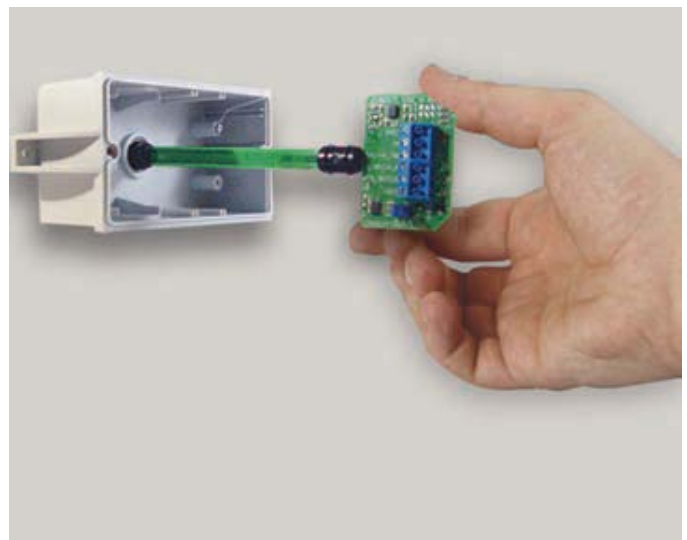
Replacing the removable sensor tip requires no special training and can be easily replaced by the end user. No calibration is needed because each new sensor module is factory calibrated before shipping. This essentially reduces downtime during service intervals. As an example, the duct mount probe is easily accessed by taking off the front cover, pulling out the probe and replacing the sensor tip. This same procedure can be performed on the wall mount and outside air models. An additional benefit for duct and outside air applications is the sensor module can be replaced without having to remove the unit and disconnect the wiring conduit.

FEATURES

- Available in Wall, Duct Mount or Outdoor Air
- Key Component of Comprehensive HVAC/R System
- Active Temperature with Jumper Selectable
- Tspan Ranges of 40°C, 50°C, and 60°C
- Three Accuracy Options: 2%, 3%, & 5%
- Excellent Reliability through ASIC Technology
- Robust Capacitive Sensor Design
- Replaceable Sensor Tip
- Low Cost of Ownership
- Quick Mount, 2 Screw Install with Plug-in Terminal Wiring
- 5 Year Warranty of Electronics
- 2 Year Warranty on Sensor Module
- CE & RoHS Compliant

APPLICATIONS

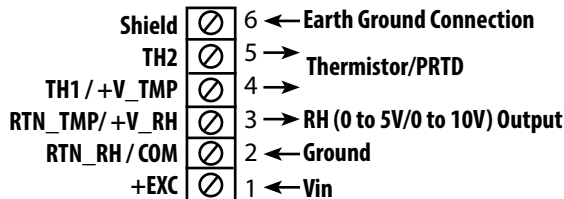
- HVAC/R Control
- Indoor Air Quality (IAQ)
- Laboratories
- Antiquities Preservation



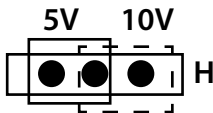
SPECIFICATIONS		
RH Performance Data		Physical Description
Sensing Element	Capacitive Polymer	Enclosure Materials
Humidity Operating Range	0 to 99% RH (NON-Condensing)	Wall Mount VA 94-V0
Accuracy @ 68°F (20°C)	2, 3%, % 5% ¹	Duct & Outside Air Polycarbonate 94-V0
Non-Repeatability	0.05% FS	Probe (Duct & Outside Air) Aluminum
Long Term Stability	<1%/Year @ 68°F (20°C), 50% RH	Weather Shield Porous Polyethylene
Electrical Data		Sensor Tip Filter 70 Micron Polypropylene
Signal Outputs		Dimensions See Dimensions Drawings
Current (2-Wire)	4 to 20 mA	Temperature Sensing Options (Passive)
Field Selectable Voltage (3-Wire)	0 to 5 VDC, 0 to 10 VDC	T1: Thermistor NTC 10K Ω 77°F/25°C (Direct Connect) Type II
Excitation	13.5 to 30 VDC (10 VDC Output)	T2: RTD Output 1000 Ω 32°F/0°C (Direct Connect)
	12 to 30 VDC (4 to 20 mA, 5 VDC Output)	T6: Thermistor NTC 10K Ω 77°F/25°C Type III
Maximum Load (Current Only)	=(Supply - 10) - 0.02	Temperature Sensing Options (Active)
Electrical Termination	Pluggable Terminal Block (5mm Pitch)	T3: Ranges °F (°C) -58 to 140 (-50 to +60)
Wiring Protection	Reverse Excitation	Accuracy @ 68°F (20°C) Typ @ 50% ±1.1 (±0.6) ²
CE Compliance	EMC Directive 2004/108/EC	T5: °F (°C) +14 to 140 (-10 to +60)
Environmental Data		Accuracy @ 68°F (20°C) ±0.7 (±0.4) ²
Operating Temperature °F (°C)	-40 to +140 (-40 to +60)	Signal Output Options (includes humidity output)
Storage Temperature °F (°C)	-40 to +158 (-40 to +70)	Current 4 to 20 mA
Moisture Resistance	IP65, NEMA-4 (Duct & Outside Air)	Field Selectable Voltage 0 to 5 VDC, 0 to 10 VDC
Solar	UV Resistant (Outside Air)	¹ 5% units available only with passive temperature option ² Excitation: 24 VDC ±10%
Flammability Rating	94-V0	
Compliance	RoHS & CE Compliant	Specifications subject to change without notice.

WIRING

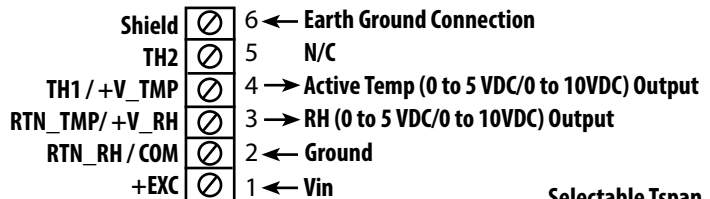
Wiring 0-5 V/0-10 V Output Units (3-wire / T0, T1, T2 & T6)



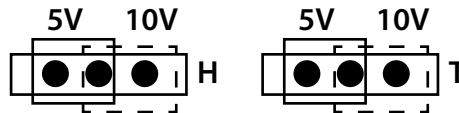
Selectable Outputs



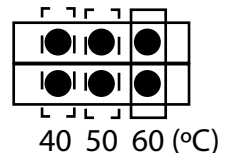
Wiring 0-5 V/0-10 V Output Units (4-wire / T3 & T5)



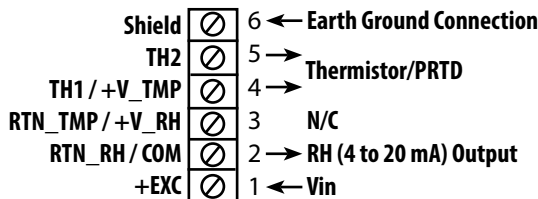
Selectable Outputs



Selectable Tspan



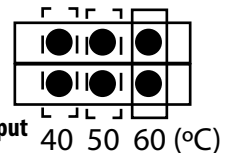
Wiring 4 to 20 mA Output Units (2-wire / T0, T1 & T2)



Wiring 4 to 20 mA Output Units (3-wire / T3, T5)



Selectable Tspan



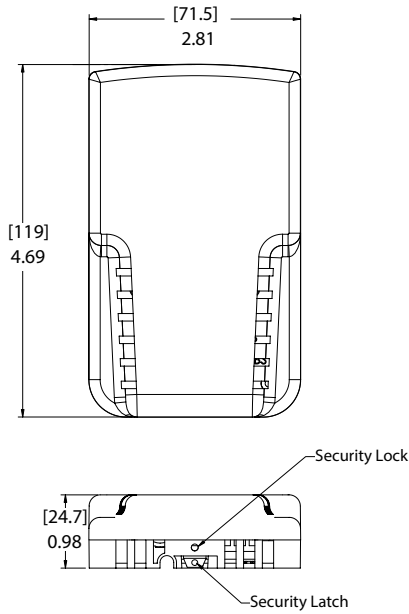
Model SRH

Relative Humidity Transmitters

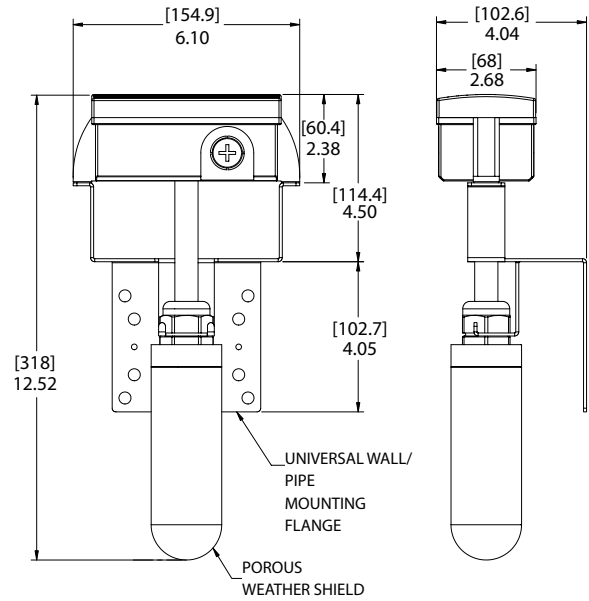


DIMENSIONS

Wall Mount

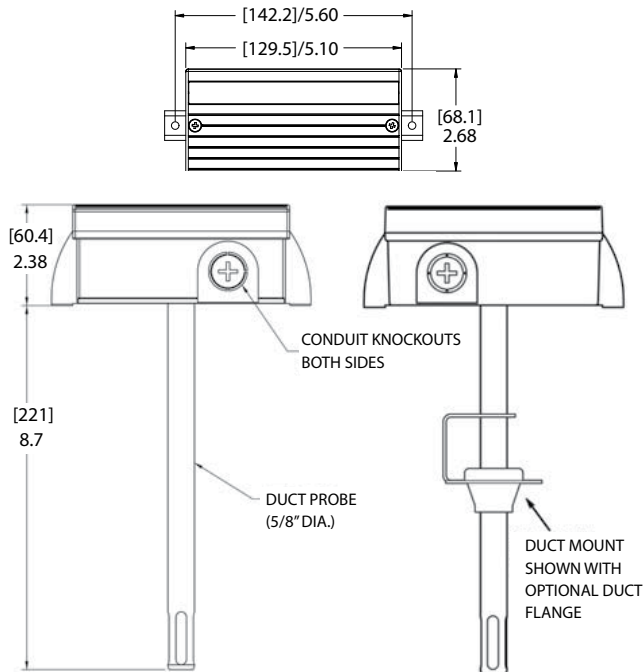


Outside Air



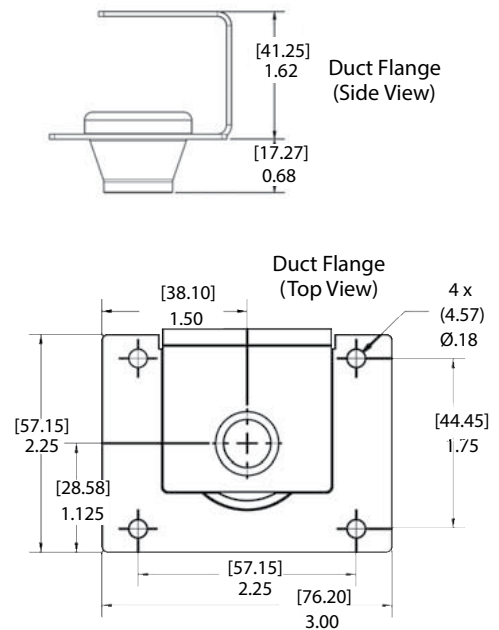
[in]
mm

Duct Mount



Optional Duct Flange

Mates with Duct Mount Unit



ORDERING INFORMATION

S R H 1 - [] [] - [] - [] [] - [] [] - [N] - []

Model		Accuracy		Configuration		Outputs		Temperature Outputs		Display ³		Options	
SRH1	SRH	2P	2%	W	Wall	11	4 to 20 mA	T0	None (RH only)	N	None	C	NIST Certificate of Performance
		3P	3%	D	Duct	2C	0-5 or 0-10 VDC ¹ (user selectable)	T1	10K Ω Type II Thermistor [Passive]				
		5P	5%	O	Outside Air			T2	1000 Ω RTD [Passive]				
								T3	-58 to +140°F (-50 to +60°C) [Active] ^{2,4}				
								T5	+14 to 140 °F(-10 to +60°C) [Active] ^{2,4}				
								T6	10K Ω Type III Thermistor [Passive]				

Ordering Example: SRH12PW11T0NC = Model SRH, 2% Accuracy, Wall Mount, 4 to 20 mA Output, RH only, No Display, NIST Certificate of Performance.

Replacement Sensor Assembly

S R H 3 - [] [] - [] []

Model		Accuracy		Temperature Outputs	
SRH3	SRH	2P	2%	T0	None (RH only)
		3P	3%	T1	10K Ω Type II Thermistor [Passive]
		5P	5%	T2	1000 Ω RTD [Passive]
				T3	-58 to +140°F (-50 to +60°C) [Active] ⁴
				T5	+14 to 140 °F(-10 to +60°C) [Active] ⁴
				T6	10K Ω Type III Thermistor [Passive]

Ordering Example: SRH32PT0 = Model SRH Sensor Assembly, 2% Accuracy, RH only

Notes:

- Voltage Outputs (2C) are factory configured for 0 to 5 VDC operation. User selectable jumper for 0 to 10 VDC operation.
- Tspan jumper factory configured for 60°C. User selectable Tspan for 40°C and 50°C option provided.
- Display option ONLY available in wall mount configuration.
- SRH1 units originally ordered with either a T3 or T5 temperature option MUST be replaced with the same T(x) version.