

MODELS 106-F-TYPE 4 / 206-F-TYPE 4 MODULATING FLOAT VALVE

KEY FEATURES

- Maintains relatively constant level
- Automatic compensation for level draw-down
- Standard integral damping reduces hunting
- Drip-tight at high level shut-off
- Low supply pressure options

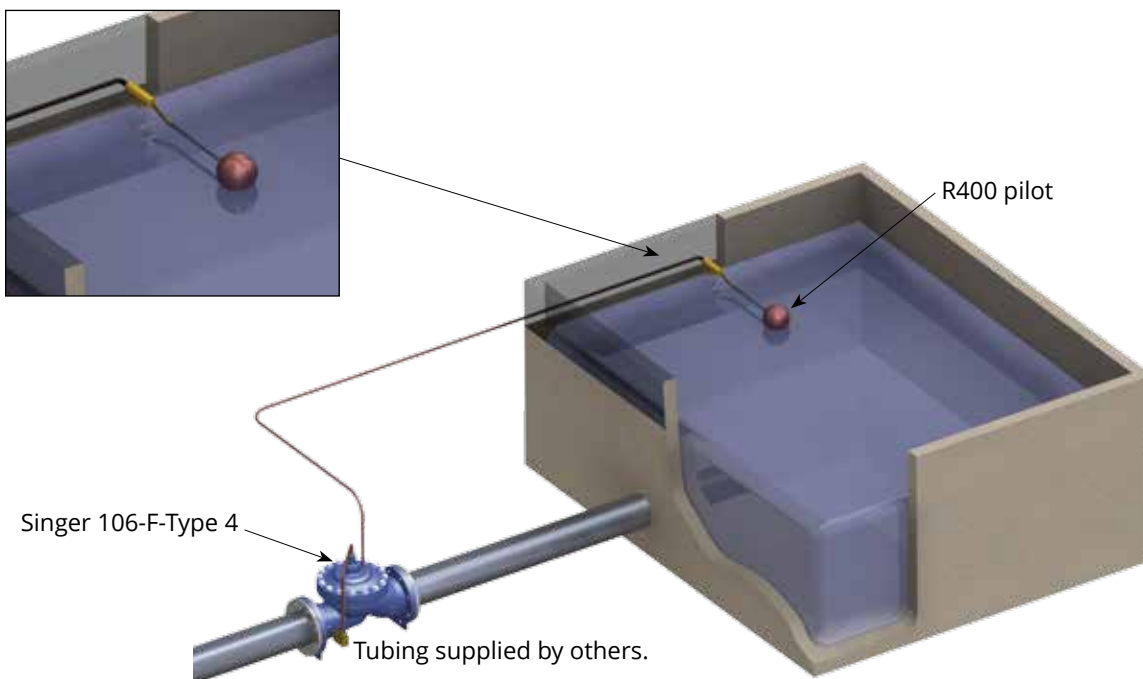
PRODUCT OVERVIEW

The Singer model 106-F-Type 4 and 206-F-Type 4 modulating float valves are based on the 106-PG or 206-PG main valve. They are ideal for balancing the inflow and outflow demand into the reservoir and maintaining level at the designated maximum.

The valve closes drip-tight at the maximum level and modulates to maintain the tank level. The float pilot is remotely installed at the high level in the reservoir tank. Pilot connections to the main valve are connected in the field. As the reservoir level drops the main valve is opened proportionally to increase the filling rate. Movement of the main stem alters the size of the closing restriction, interrupting the tendency of the valve to hunt.



TYPICAL APPLICATION

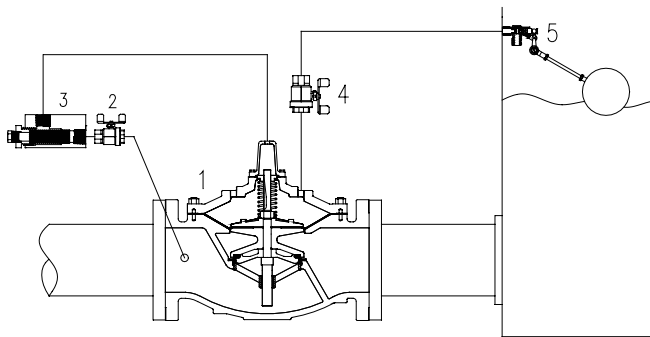


SCHEMATIC DRAWING

1. Main Valve - 106-PG or 206-PG, Internal Needle Stem Valve (INSV) built into stem
2. Isolation Valve
3. Strainer - 40 mesh stainless steel screen
4. Isolation Valve
5. R400 Float Pilot comes with plastic float

Note: Schematic shown for 2.5 in / 65 mm and larger

For 2 in / 50 mm and smaller, refer to Schematic A-0399C.



Schematic A-0608D

STANDARD MATERIALS

Standard materials for pilot system components are:

- Stainless Steel
- Plastic float
- Brass, Copper, Iron

Note: The stilling well and the connections between the main valve and the R-400 pilot are provided by others.

SELECTION SUMMARY

1. Generally select line size to minimize losses during normal forward flow.
2. Use the performance curves and sizing bulletin to check the pressure drop across the valve at normal flow rate.
3. Check the maximum operating pressure against the maximum working pressure rating of the flanges.
4. If the outlet pressure is less than 35% of the inlet pressure, check for cavitation.
5. If the inlet pressure is less than 10 psi / 0.7 bar higher than the maximum reservoir head, consult with Singer Valve.
6. Assisted opening may be required for full flow.
 - for non-modulating (on-off) service, refer to model 106-F-Type 5 / 206-F-Type 5 float valve
 - for high tower reservoir, refer to models 106-A-Type 1 / 206-A-Type 1, or 2, or 3, or 4 Altitude Control valves.

ORDERING INSTRUCTIONS

Refer to page 244 for the order form and ordering instructions.

Additionally, include the following information for this product:

Single chamber (106) or (206)

MODELS 106-F-TYPE 4 / 206-F-TYPE 4 MODULATING FLOAT VALVE

106-F-Type 4	Flow Capacity (See 106-PG in Main Valve section for other valve data)								
Size (inches)	1/2 in	3/4 in	1 in	1-1/4 in	1-1/2 in	2 in	2-1/2 in	3 in	4 in
Size (mm)	15 mm	19 mm	25 mm	32 mm	40 mm	50 mm	65 mm	80 mm	100 mm
Maximum Continuous (USGPM)	12	19	49	93	125	210	300	460	800
Maximum Continuous (L/s)	0.8	1	3	6	8	13	19	29	50
Pressure Drop (PSI)	20	20	20	15	15	20	15	16	15
Pressure Drop (Bar)	1.4	1.4	1.4	1.0	1.0	1.4	1	1.1	1.0

106-F-Type 4	Flow Capacity (See 106-PG in Main Valve section for other valve data)								
Size (inches)	6 in	8 in	10 in	12 in	14 in	16 in	20 in	24 in	36 in
Size (mm)	150 mm	200 mm	250 mm	300 mm	350 mm	400 mm	500 mm	600 mm	900 mm
Maximum Continuous (USGPM)	1800	3100	4900	7000	8500	11000	17500	25000	55470
Maximum Continuous (L/s)	114	196	309	442	536	694	1104	1577	3500
Pressure Drop (PSI)	15	15	15	16	11	17	8.6	9.6	8.6
Pressure Drop (Bar)	1.0	1.0	1.0	1.1	0.8	1.2	0.6	0.7	0.6

206-F-Type 4	Flow Capacity (See 206-PG in Main Valve section for other valve data)								
Size (inches)	3 in	4 in	6 in	8 in	10 in	12 in	16 in	18 in	20 in
Size (mm)	80 mm	100 mm	150 mm	200 mm	250 mm	300 mm	400 mm	450 mm	500 mm
Maximum Continuous (USGPM)	300	580	1025	2300	4100	6400	9230	16500	16500
Maximum Continuous (L/s)	19	37	65	145	260	404	582	1040	1040
Pressure Drop (PSI)	19	15	17	21	17	17	18	23	22
Pressure Drop (Bar)	1.3	1.0	1.2	1.4	1.2	1.2	1.2	1.6	1.5

206-F-Type 4	Flow Capacity (See 206-PG in Main Valve section for other valve data)						
Size (inches)	24 x 16 in	24 x 20 in	28 in	30 in	32 in	36 in	40 in
Size (mm)	600 x 400 mm	600 x 500 mm	700 mm	750 mm	800 mm	900 mm	1000 mm
Maximum Continuous (USGPM)	16500	21700	33600	33650	33700	33800	55470
Maximum Continuous (L/s)	1040	1370	2120	2123	2126	2132	3500
Pressure Drop (PSI)	21	21	17	17	17	17	17
Pressure Drop (Bar)	1.4	1.4	1.2	1.2	1.2	1.2	1.2