

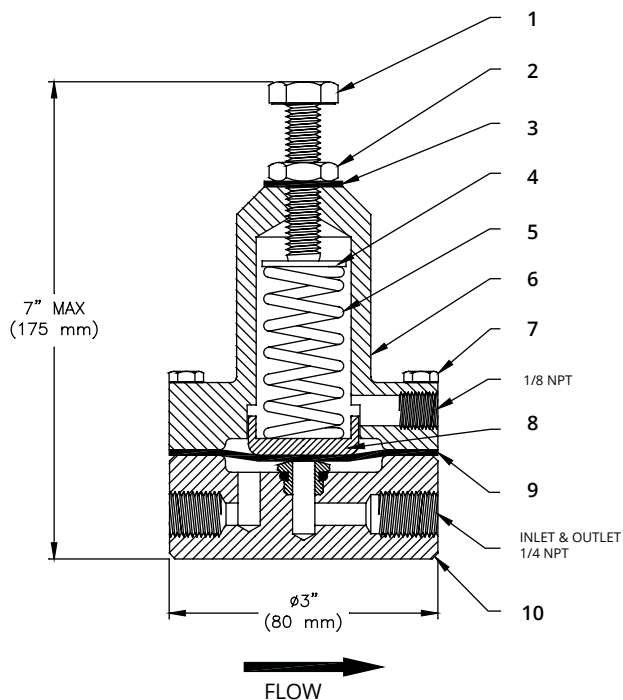
# MODEL 106-RD DIFFERENTIAL RELIEF PILOT (NORMALLY CLOSED)

## PRODUCT OVERVIEW

The model 106-RD is a spring and diaphragm operated, normally closed pilot designed to allow flow when the inlet pressure exceeds the outlet pressure by a predetermined amount. The model 106-RD is used as a differential control valve on Singer model 106-A-Type 4 altitude control valves.

## ORDERING INSTRUCTIONS

Refer to page 244 for the order form and ordering instructions.



SCHEMATIC A0556B

1. Adjusting Screw (Stainless Steel)
2. Locknut (Stainless Steel)
3. Thread Seal (Stainless Steel & Buna-N)
4. Spring Step (Brass)
5. Spring (Stainless Steel)
6. Spring Casing (Brass)
7. Spring Casing Screws (Stainless Steel)
8. Spring Cup (Brass)
9. Diaphragm (EPDM)
10. Body (Brass)