

MODEL 83-RP HIGH PRESSURE RELIEF PILOT (NORMALLY CLOSED)

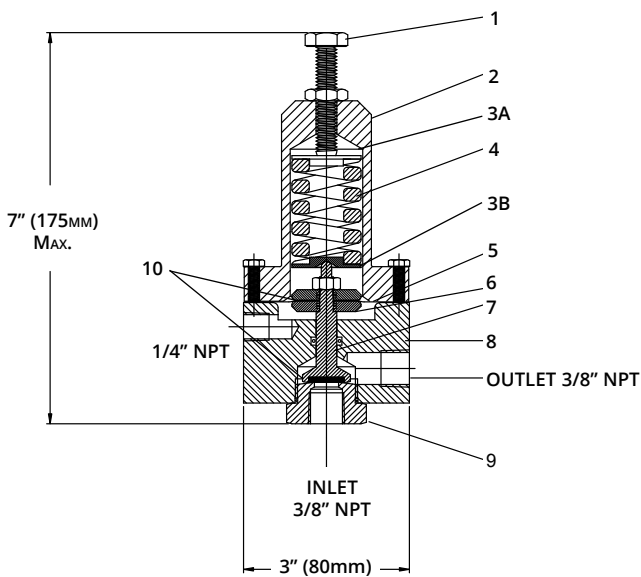
PRODUCT OVERVIEW

The 83-RP is a spring and diaphragm operated, normally closed pilot specifically designed for high pressure applications. The inner valve is held closed by the spring. When the control sensed pressure below the diaphragm exceeds the force of the spring, the pilot valve opens.

Model 83-RP pilot is used as the standard pressure relief pilot where the operating pressures are excessive, such as a 300 psi / 20.7 bar level.

ORDERING INSTRUCTIONS

Refer to page 244 for the order form and ordering instructions.



SCHEMATIC A0781A

1. Adjusting Screw (Stainless Steel)
2. Spring Casing (Brass)
3. Spring Steps (3A, 3B) (Stainless Steel)
4. Spring (Steel)
5. Diaphragm (EPDM)
6. Clamp Plates (Brass)
7. Inner Valve ((Stainless Steel and EPDM)
8. Body (Brass)
9. Seat (Stainless Steel)
10. O Ring Seals (Buna-N)

Options: Available in all Stainless Steel construction

	Spring Ranges	Approximate psi per turn
Standard	200 to 500 psi (13.8 to 34.5 bar)	80 psi (5.5 bar) per turn