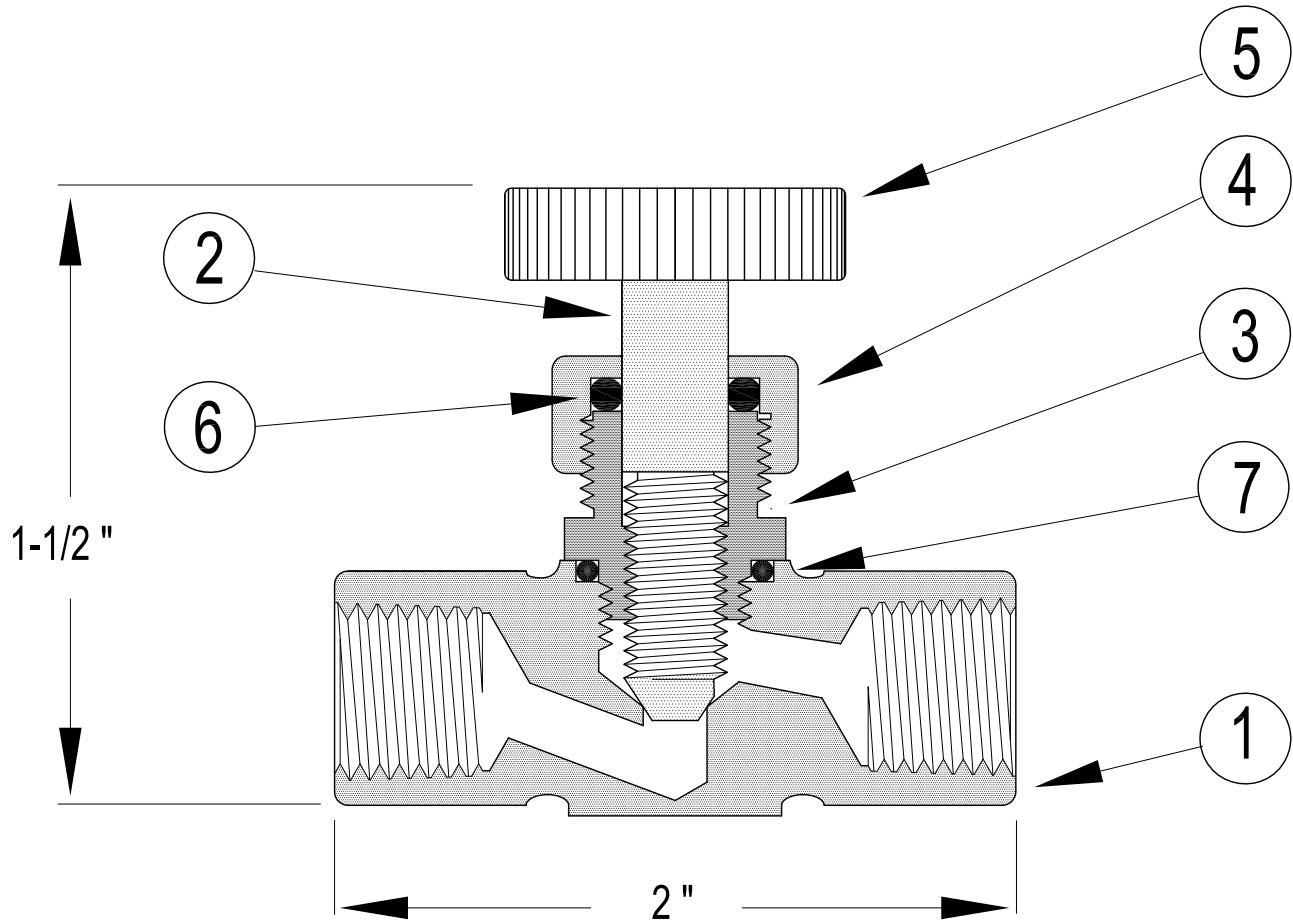


# NEEDLE VALVE

SIZE: 1/4" NPT



- |    |             |                 |
|----|-------------|-----------------|
| 1. | Body        | Brass           |
| 2. | Stem        | Stainless Steel |
| 3. | Bonnet      | Brass           |
| 4. | Packing Nut | Brass           |
| 5. | Handle      | Brass           |
| 6. | Stem Seal   | Resilient       |
| 7. | Body Seal   | Resilient       |

 <b>SINGER VALVE</b> <i>Result-Based Solutions. Globally.™</i>	
<a href="http://www.singervalve.com">www.singervalve.com</a> 12850-87th Avenue, Surrey, B.C. V3W 3H9	
Drawn By:	Approved By:
Kari Oksanen	Kari Oksanen
Date:	Drawing:
November 17, 2005	A0675A
Model 852-B	