

MODEL 81-RPD DIFFERENTIAL PRESSURE RELIEF PILOT (NORMALLY CLOSED)

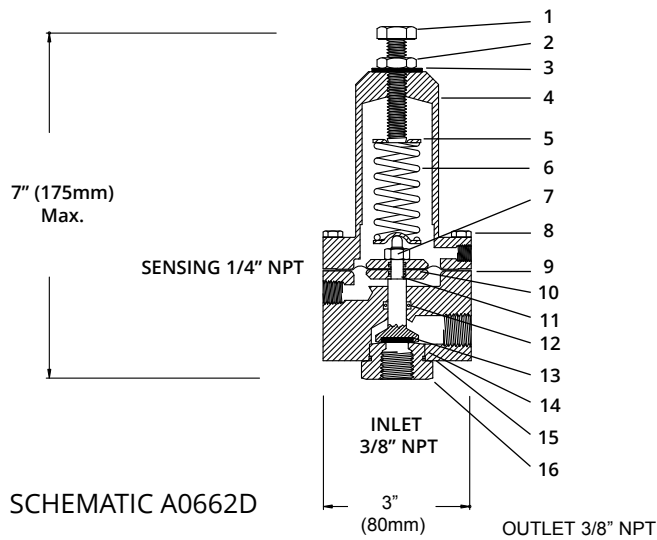
PRODUCT OVERVIEW

The 81-RPD is a remote sensing, high capacity, spring and diaphragm operated, normally closed, differential pilot. The inner valve is held closed by the spring. When the pressure under the diaphragm overcomes the combined forces of the spring setting and the pressure above the diaphragm, the pilot opens. The 81-RPD valve is used for remote sensing of a differential pressure for normally closed applications.



ORDERING INSTRUCTIONS

Refer to page 244 for the order form and ordering instructions.



1. Adjusting Screw (Stainless Steel)
2. Lock Nut (Stainless Steel)
3. Thread Seal (Steel and Buna-N)

4. Spring Casing (Brass)
5. Spring Step (Stainless Steel)
6. Spring (Stainless Steel)
7. Stem Lock Nut (Stainless Steel)
8. Spring Casing Capscrew (Stainless Steel)
9. Diaphragm (EPDM)
10. Clamp Plate (Brass)
11. Clamp Plate Seal (Buna-N)
12. Stem Seal (Buna-N)
13. Inner Valve (Stainless Steel and EPDM)
14. Seat Ring Seal (Buna-N)
15. Body (Brass)
16. Seal (Stainless Steel)

Options: Available in all Stainless Steel construction.

	Spring Ranges	Approximate psi per turn
Standard	20 to 200 psi (1.38 to 13.8 bar)	30 psi (2 bar) per turn
Optional	5 to 25 psi (0.345 to 1.72 bar)	3 psi (0.2 bar) per turn
	10 to 80 psi (0.7 to 5.5 bar)	10 psi (0.7 bar) per turn
	100 to 350 psi (6.9 to 24 bar)	41 psi (2.82 bar) per turn