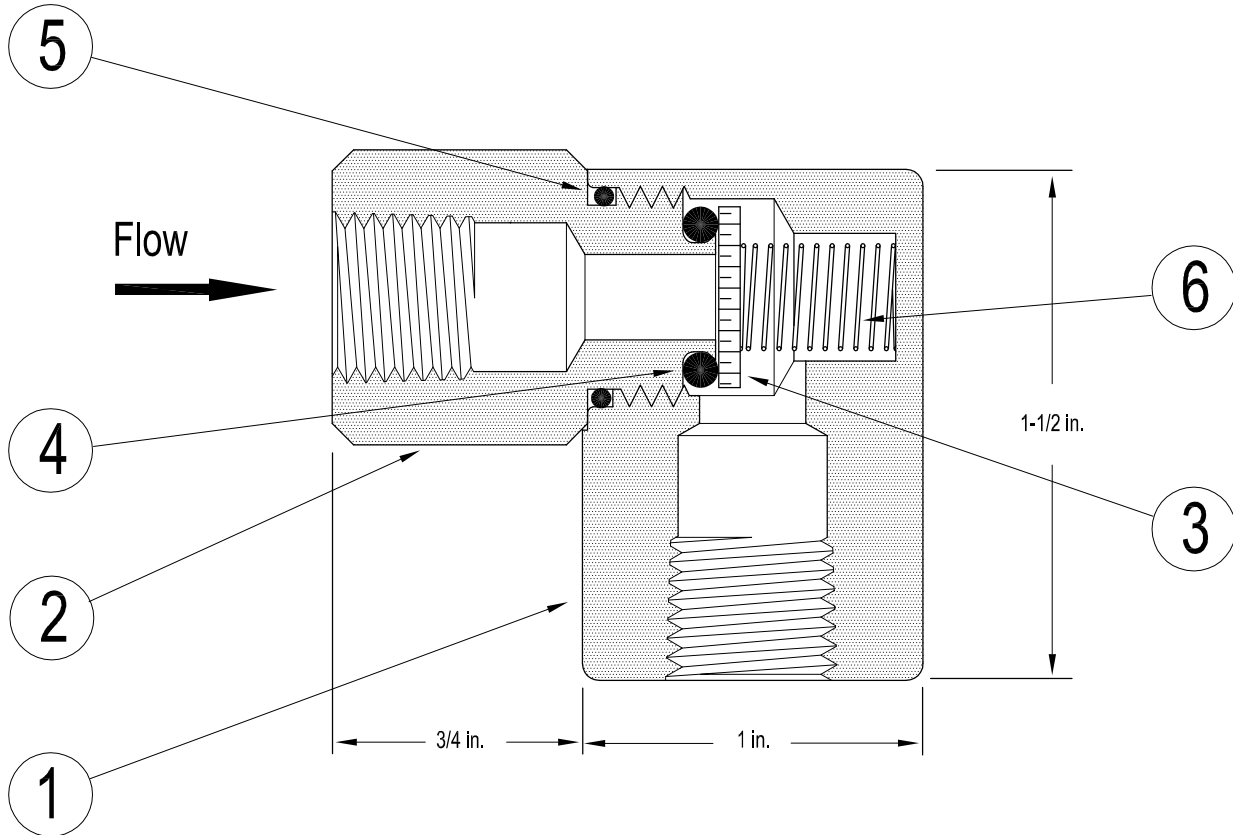


# CHECK VALVE - 1/4" NPT



ITEM	DESCRIPTION	MATERIAL
1	BODY	BRASS
2	SEAT RING	BRASS
3	INNER VALVE	LEXAN
4	SEAT SEAL	BUNA-N
5	BODY SEAL	BUNA-N
6	SPRING	MODEL 10 - SST MODEL 12 - PHOSPHOR BRONZE (MODEL 12 HAS STIFFER SPRING)



**SINGER VALVE**  
*Result-Based Solutions. Globally.™*

[www.singervalve.com](http://www.singervalve.com) 12850-87th Avenue, Surrey, B.C. V3W 3H9

Drawn By: <b>Scott Grover</b>	Approved By: <b>Kari Oksanen</b>
Date: <b>November 16, 2005</b>	Drawing: <b>A0659A</b>
<b>Model 10 &amp; 12</b>	