

SINGER MODEL R400

Modulating Float Pilot Schematic A0714D Installation, Operating and Maintenance Instructions

DESCRIPTION:

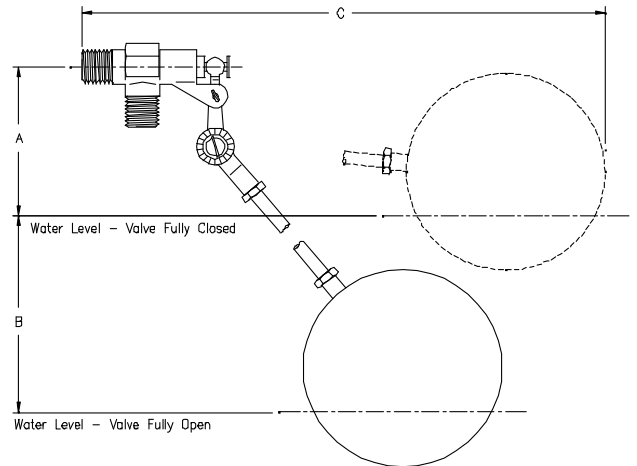
Model R400 is a modulating float pilot with a plastic (polypropylene) float. Stainless Steel float is also available. The pilot positions the 106-PG or 206-PG main valve in proportion to the reservoir level.

DESCRIPTION OF OPERATION:

A: *Normal Action:* Rising level lifts the float and closes the pilot. The main valve (106-PG or 206-PG) closes. Dropping level opens the pilot. The main valve opens.

Dim

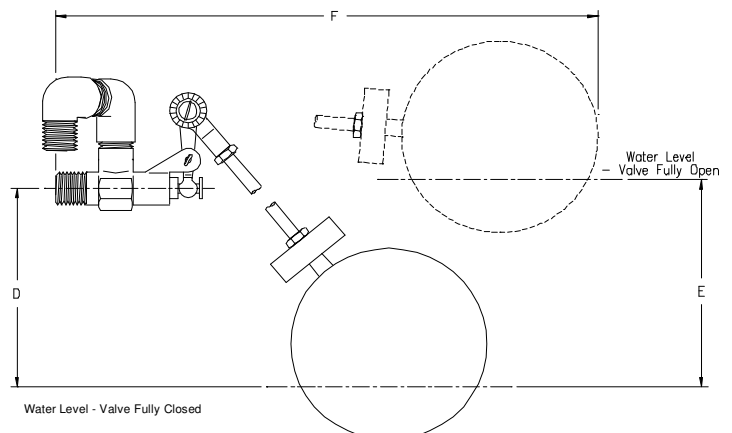
A	2-1/2"	5-1/2"	8"	10-1/2"
B	7-3/4"	7-1/4"	6-1/2"	5-1/4"
C	17-1/2"	16-3/4"	15-1/4"	12-3/4"



B: *Reverse Action:* Rising level lifts the float and opens the pilot. The main valve (106-PG or 206-PG) opens. Dropping level closes the pilot (helped by Weight 12). The main valve closes.

Dim

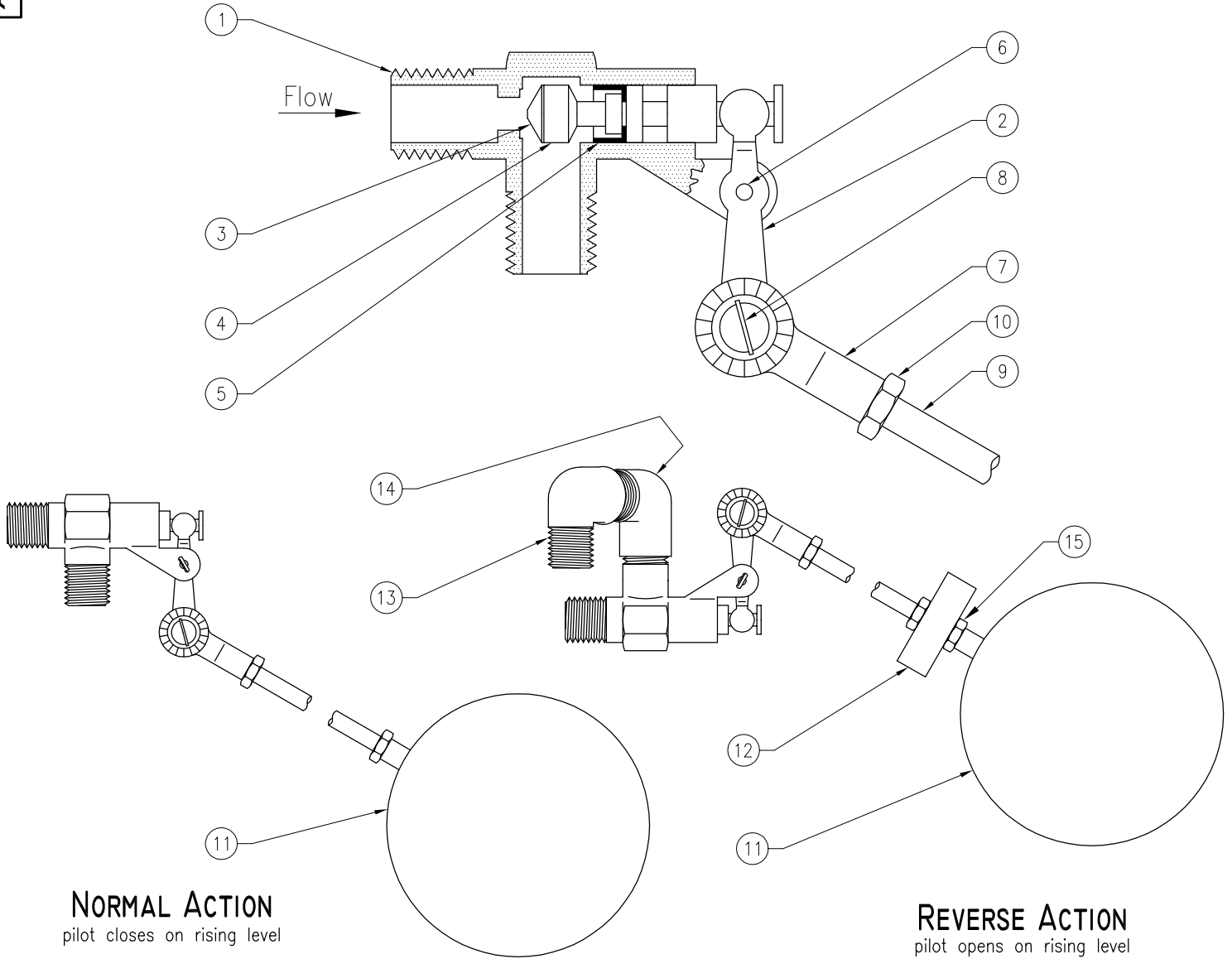
D	3"	6"	8-1/2"	11"
E	8"	7-1/2"	6-3/4"	6-1/2"
F	17-1/4"	17-1/8"	16"	14"



INSTALLATION:

1. Refer to 106/206-F-IV instructions and schematic. Provide a horizontal 3/8" female N.P.T. connection about 4 inches above the water level to mount the pilot. This should be in an area of minimum wave action.
2. Install the pilot in the connection mentioned above. The float rod must move in a vertical plane. Avoid excessive torque to prevent damage to the pilot.
3. The level can be adjusted over a total range of about 12 inches by using Thumb Screw (8).

MODULATING FLOAT PILOT



NORMAL ACTION

pilot closes on rising level

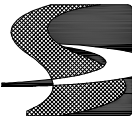
REVERSE ACTION

pilot opens on rising level

ITEM	PART NAME	MATERIAL
1	Body	Bronze
2	Lever	Brass
3	Inner valve	Buna-N
4	Stem	Brass
5	Stem seal	Buna-N
6	Pivot pin	Brass
7	Serrated arm	Brass
8	Thumb screw	Brass
9	Float rod	Brass
10	Locknut	Sst
11	Float	Polypropylene

FOR REVERSE ACTION

12	Weight	Brass
13	Discharge elbow	Brass
14	Elbow	Brass
15	Weight locknut	Brass



SINGER VALVE

Result-Based Solutions. Globally.™

www.singervalve.com 12850-87th Avenue, Surrey, B.C. V3W 3H9

Drawn By: Scott Grover	Approved By: Kari Oksanen
Date: November 18, 2005	Drawing: A0714D
Model R400	