

5600 Modular Egress Window Well

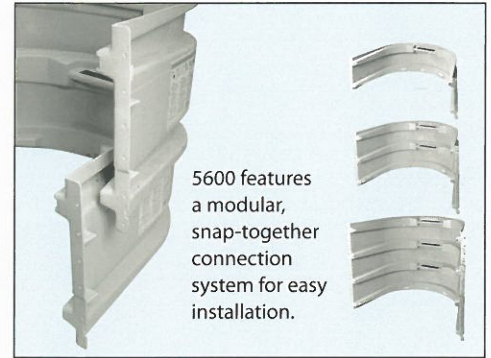
grey
#056100092



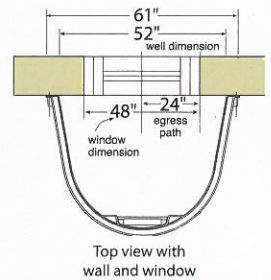
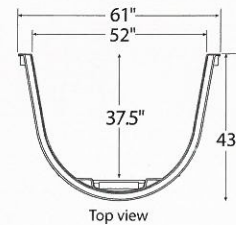
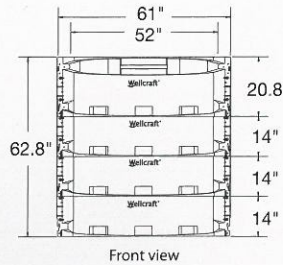
Shown with optional lattice cover.
See cover options on page 6.

Installs in a snap.

The 5600 offers many custom possibilities. You're not limited to a set height - make your well as short or as high as you need. A typical installation uses four sections and is made easy with simple, snap-together construction. The 5600 is designed for windows up to 4-foot wide. Each section weighs only 24 pounds and is easy to transport.



Sizing Options					
Sections	1	2	3	4	5
Total Height	20 $\frac{7}{8}$ "	34 $\frac{7}{8}$ "	48 $\frac{7}{8}$ "	62 $\frac{7}{8}$ "	76 $\frac{7}{8}$ "



2060 Single Unit Egress Window Well

sandstone
#020600191

granite grey
#020600190



Shown with optional polycarbonate cover.
See cover options on page 6.

Extendable.

The 2060 is designed for use with up to 4-foot wide egress windows. One-piece construction makes this well both durable and simple to install. With the optional 12" extension, the 2060 can accommodate greater depth requirements. (maximum of two extensions per unit)

2060 Extensions (Sold separately)

