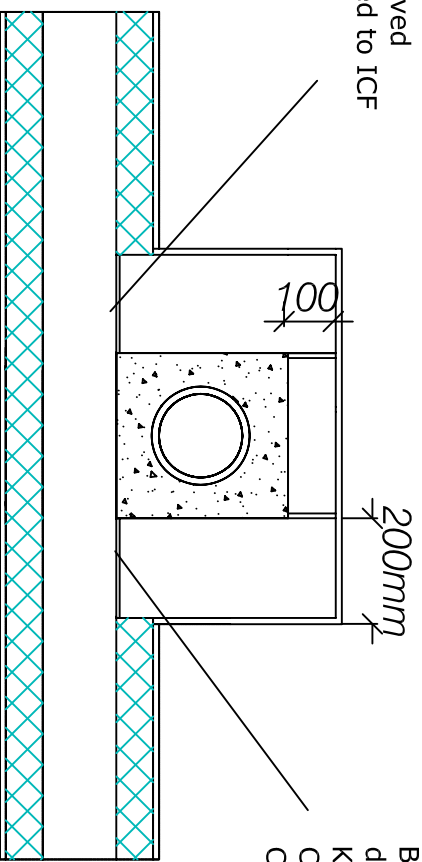


KORE ICF EPS Removed
where chimney is tied to ICF
Wall



Chimney
Block tied
directly to
KORE
Concrete
Core

KORE Insulation & Energy Saving Solutions	FIG 16.
Chimney Detail on External ICF Wall	