

SRS Crisafulli

Pumps - Dredges - Power Units - Custom or Standard
 Manufacturers of reliable Crisafulli products
 supported by superior service

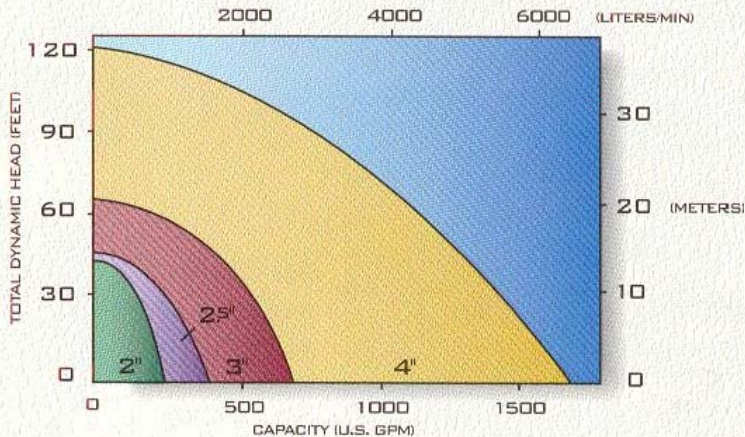


SRS Crisafulli Submersible Electric Pumps

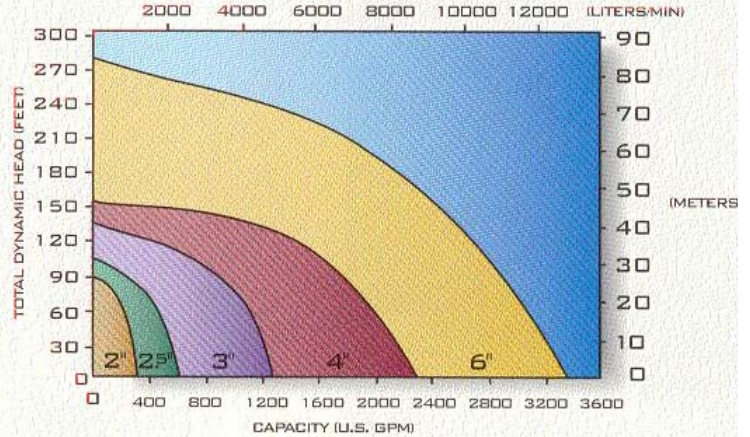
► SRS Crisafulli submersible electric pumps are designed to provide dependable, high-capacity water, trash, and slurry pumping. Crisafulli pumps will move a wide range of fluids from clear water to sewage to mud including debris-laden and viscous fluids. SRS Crisafulli Electric Submersible Pumps can be operated as a low cost, minimal maintenance pumps solution wherever there is electric power available.

► Submersible centrifugal pumps are easy to set up and start pumping immediately at rated capacity. There is no priming and no suction hose to be dealt with — just submerge the pump case and turn on the power. All-steel industrial-duty construction that stands firm against silt, sand, mud, sludge, and other abrasives ensures your pump will have a long and useful life. Crisafulli pumps can be operated dry without damage, and are self-draining for easy clean up.

S-SERIES (1750 RPM)



J-SERIES (1750 RPM)

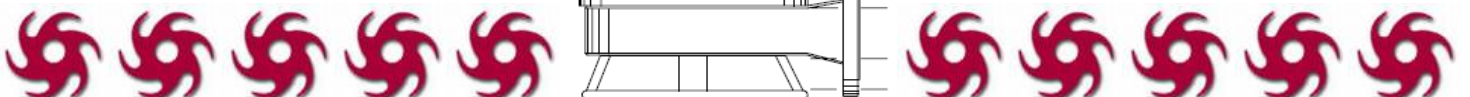
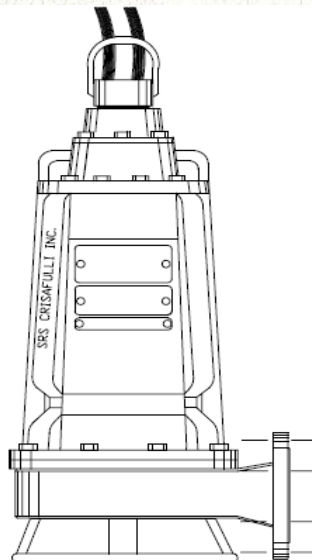


Common Applications

- Raw Sewage
- Refinery Wastes
- Storm Sewers
- Flood Control
- Mine Dewatering
- Industrial Effluents
- Construction Projects
- Irrigation

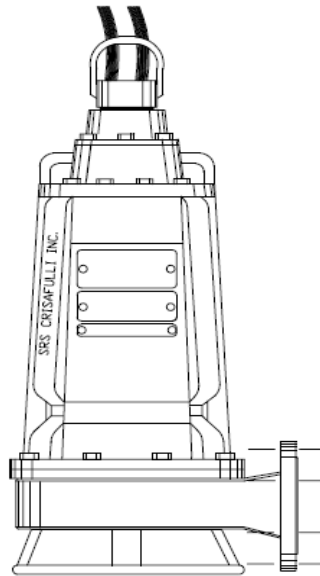
Pump Accessories

- Electrical Control Panels
- Float switches
- Additional Cable
- Vertical Guide Rail



Crisafulli S-series Submersible Electric Pumps

Pump Size / Series	Flow Range (GPM)	Maximum Head (feet)	Maximum Hp
1150 RPM			
4.0" S-series	200 - 850	45	15
1750 RPM			
2.0" S-series	40 - 150	40	4
2.5" S-series	75 - 340	40	5
3.0" S-series	100 - 520	60	15
4.0" S-series	200 - 1450	115	50
3450 RPM			
2.0" S-series	40 - 220	140	10
2.5" S-series	75 - 530	125	25



Crisafulli J-series Submersible Electric Pumps

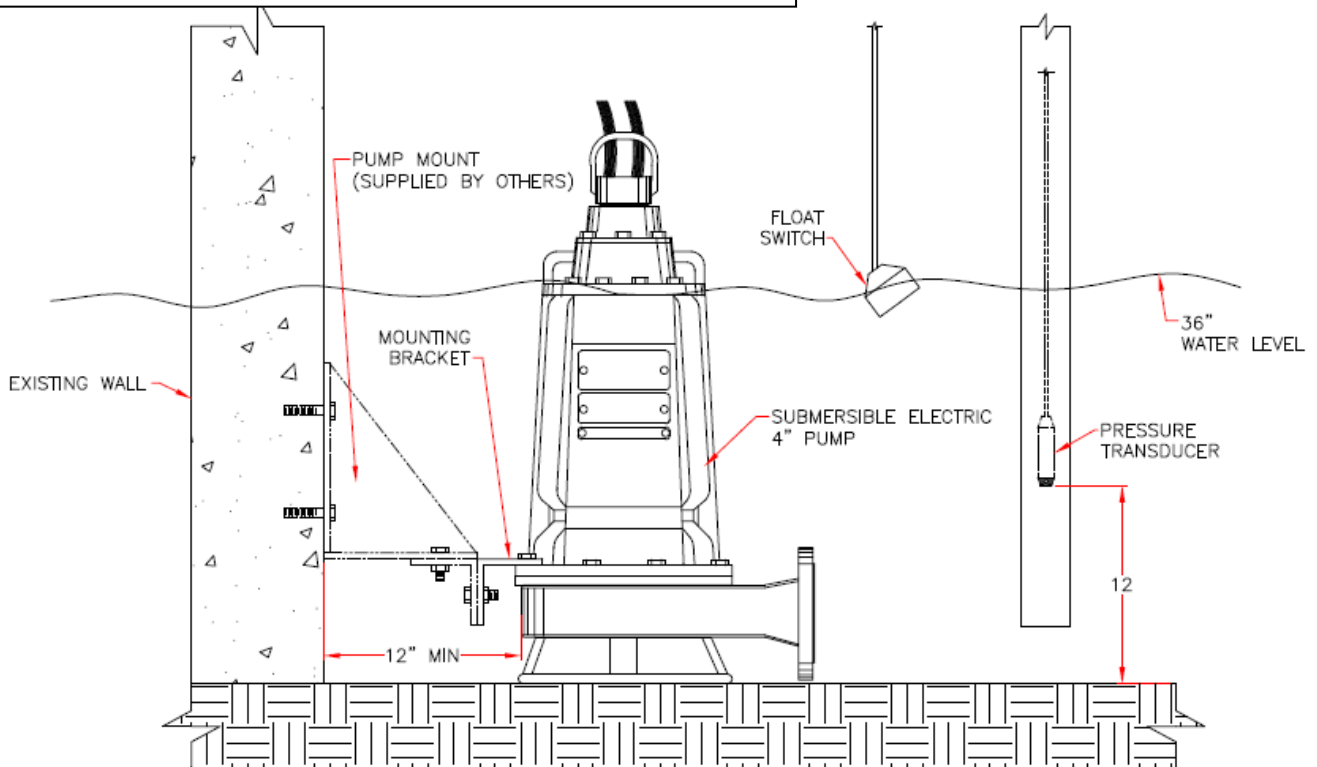
Pump Size / Series	Flow Range (GPM)	Maximum Head (feet)	Maximum Hp
1150 RPM			
2.0" J-series	50 - 200	35	4
2.5" J-series	100 - 400	40	6
3.0" J-series	100 - 700	55	12
4.0" J-series	200 - 1400	65	30
6.0" J-series	400 - 2800	120	100
1750 RPM			
2.0" J-series	50 - 275	90	12
2.5" J-series	100 - 600	100	20
3.0" J-series	200 - 1150	130	40
4.0" J-series	400 - 1900	150	85
6.0" J-series	500 - 2800	270	200

All Models Available with optional SLURRY GATE

Use the slurry gate to mix, blend, and agitate material that has settled or set up in a way that is not transferable as a liquid. With the slurry gate open, fluid and material is drawn in to the pump, blended, and ejected back into the fluid reservoir causing blending with unmixed material. When the slurry gate is closed the unit returns to a high capacity pump to empty the reservoir. Slurry gates are available with hydraulic or manual controls.

PUMP OPTIONS

- ▶ Case & Impeller of Abrasion-resistant steel – BN 400 hardness
- ▶ Case & Impeller of 316 Stainless Steel
- ▶ 5 HP and under can be single phase



SRS Crisafulli Inc

1610Crisafulli Drive P.O. Box 1051
Glendive, MT 59330-1051 U.S.A.

Phone: 406-365-3393

1-800-442-7867

Fax: 406-365-8088

www.crisafullipumps.com

E-mail: srsc@crisafulli.com

