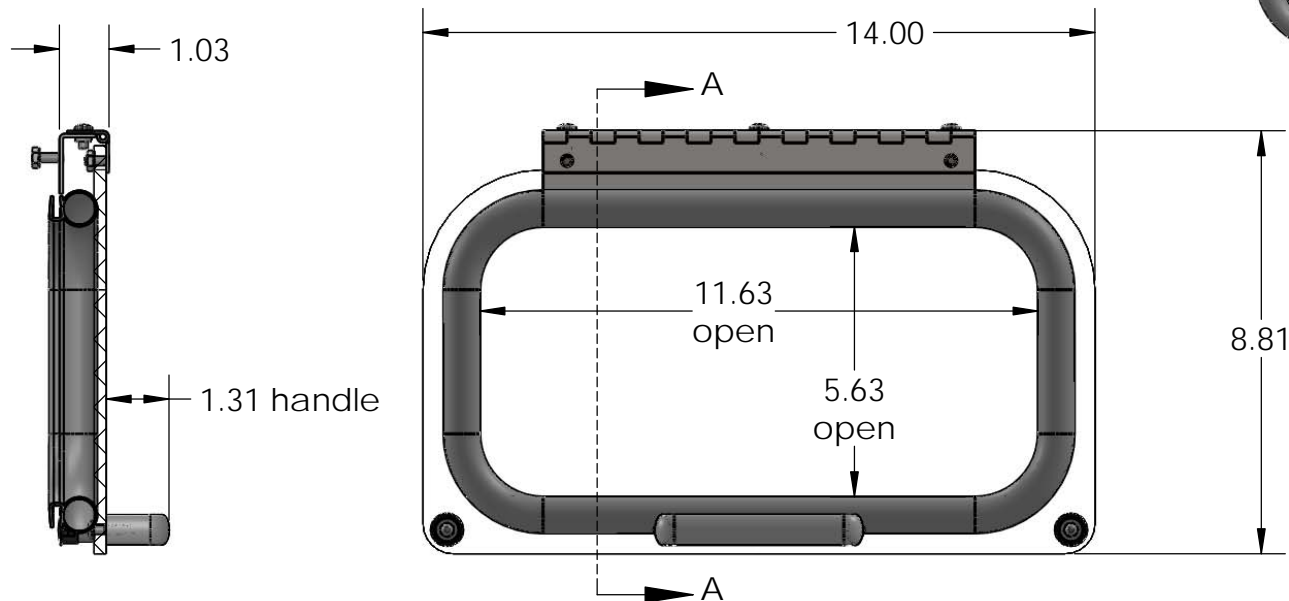
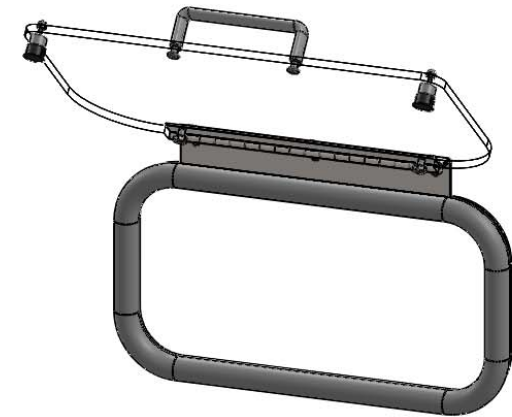


HPD2

Hinged Printer Door intended as a viewable access to a laser printer or similar printing device. Uses magnets to maintain closure on Type-12 enclosure. Door is free swinging and will close when released. Position location on the enclosure as specified by the customer.



SECTION A-A