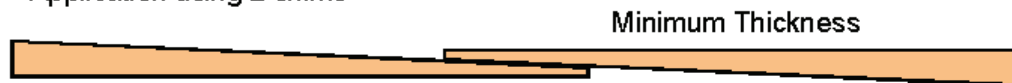


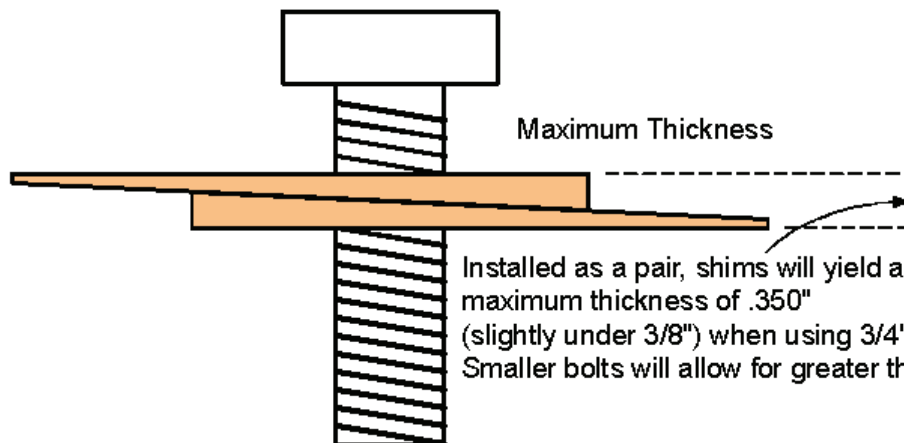
## Sturdy, Resilient Construction Grade Plastic Shim

- Plastic Type ABS-GF (Acrylonitrile Butadiene Styrene-Glass Filled)
- Compression Tested to 100,000 lbs. before permanent deformation occurred.
- 3" x 4", 1/4" thick tapering down to 1/16"
- 13/16" wide slot
- Use alone, or combine two for greater flexibility.

### Application using 2 shims



Installed as a pair, shims will yield a minimum thickness of .200" (slightly over 3/16")  
Measurement assumes 1" overlap



Installed as a pair, shims will yield a maximum thickness of .350" (slightly under 3/8") when using 3/4" bolts.  
Smaller bolts will allow for greater thickness.